

MODEL : MO-6100D

List No : 1353-02

# PARTS LIST

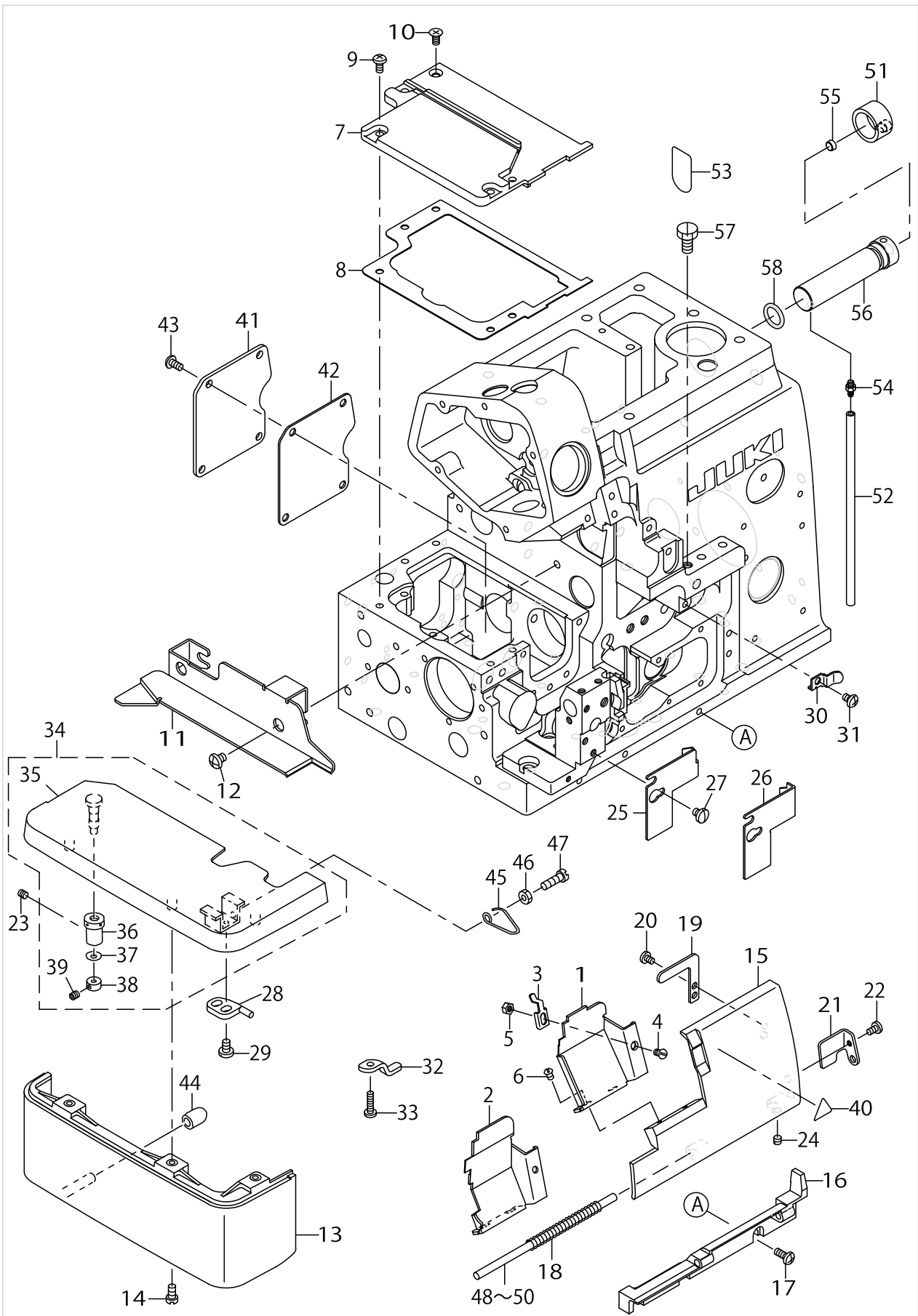
Published:02/15/2019

## CONTENTS

---

MISCELLANEOUS COVER COMPONENTS (1).....	1
MISCELLANEOUS COVER COMPONENTS (2).....	5
CRANKSHAFT COMPONENTS .....	9
NEEDLE DRIVING SHAFT COMPONENTS.....	13
FEED MECHANISM COMPONENTS (1).....	17
FEED MECHANISM COMPONENTS (2).....	21
UPPER & LOWER LOOPER COMPONENTS.....	25
CHAIN LOOPER COMPONENTS (FOR MO-6116D).....	29
PRESSER FOOT COMPONENTS (1).....	33
PRESSER FOOT COMPONENTS (2).....	37
THREAD TENSION COMPONENTS .....	39
LOWER KNIFE COMPONENTS.....	43
UPPER KNIFE COMPONENTS .....	45
LUBRICATION MECHANISM COMPONENTS.....	47
SEMI-SUNKEN TYPE TABLE COMPONENTS.....	51
FULLY-SUNKEN TYPE TABLE COMPONENTS.....	53
STAND COMPONENTS (ZAET).....	55
THREAD STAND COMPONENTS (FOR MO-6104D,MO-6114D).....	57
THREAD STAND COMPONENTS (MO-6104D,MO-6114D SPECIAL ORDER PARTS) .....	59
THREAD STAND COMPONENTS (FOR MO-6116D).....	61
THREAD STAND COMPONENTS (MO-6116D SPECIAL ORDER PARTS).....	63
SPECIAL ORDER PARTS COMPONENTS.....	65
ACCESSORIES PARTS COMPONENTS .....	69
LIST FOR INFORMATION OF CHANGE.....	71
HOW TO MAKE USE OF THIS PARTS LIST .....	72

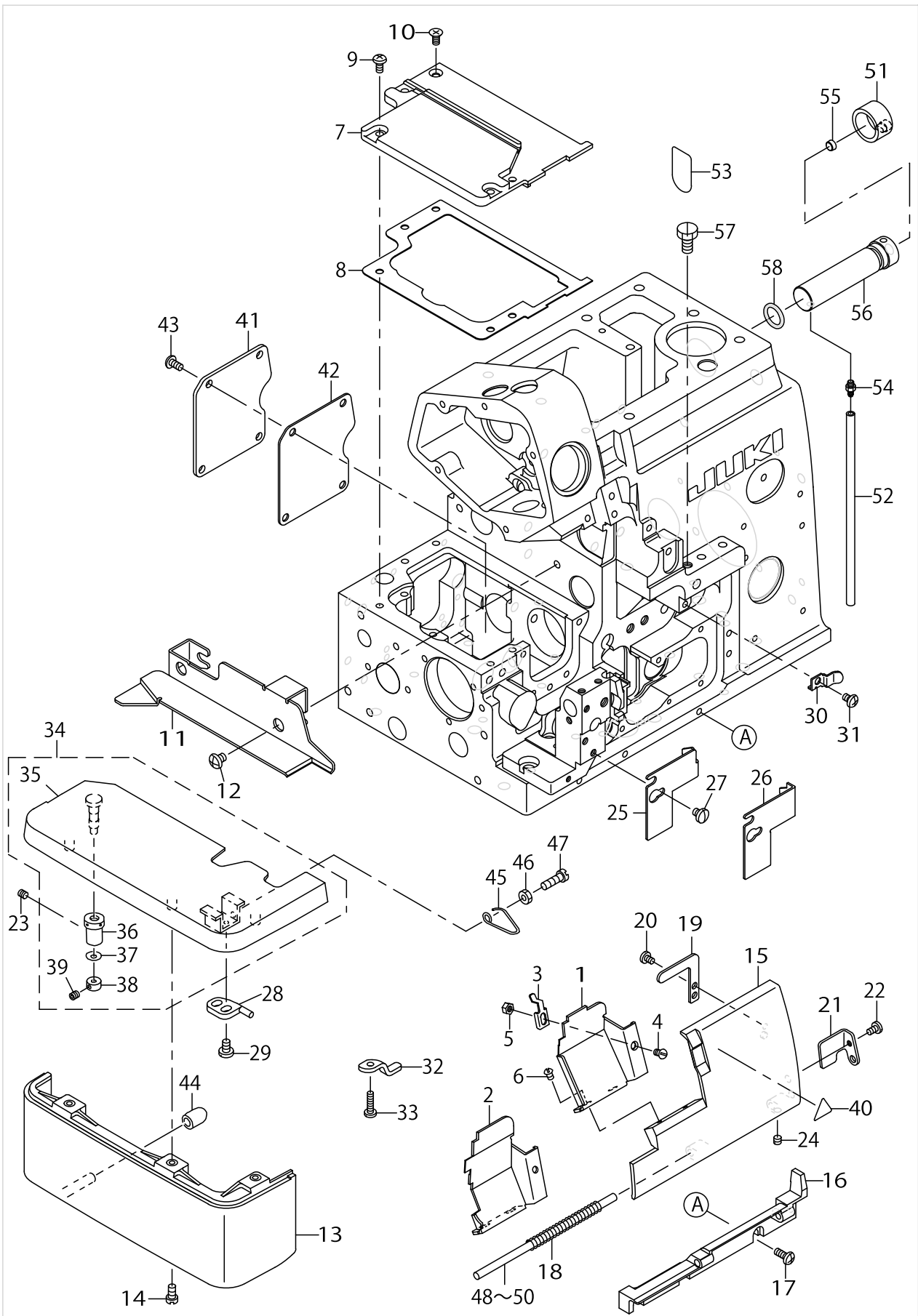
MISCELLANEOUS COVER COMPONENTS (1)



MISCELLANEOUS COVER COMPONENTS (1)

No.	Parts No.	Parts name	Remarks	Level	Cons	Qty
1	13104005	CLOTH WASTE COVER	FOR MO-6104D,MO-6114D			1
2	13104203	CLOTH WASTE COVER	FOR MO-6116D			1
3	13102405	CROTH WASTE COVER STOPPER				1
4	SS2090520SL	SCREW 9/64-40 L=5				1
5	NS6090310SN	NUT 9/64-40				1
6	SS3090610SP	SCREW 9/64-40 L=6				2
7	40004516	FEED MECHANISM COVER				1
8	13200803	FEED MECHANISM COVER GASKET				1
9	SM4040855SP	SCREW				4
10	SM1040801SC	SCREW M4X0.7 L=8				1
11	12342101	CLOTH BASE SIDE COVER				1
12	SS4120615SP	SCREW 3/16-28 L=6				2
13	13103809	CLOTH BASE COVER				1
14	SS4091015SP	SCREW 9/64-40 L=10				2
15	13100904	LOOPER COVER				1
16	13100805	LOOPER COVER BRACKET				1
17	SM4041055SP	SCREW M4 L=10				3
18	13101209	LOOPER COVER SPRING				1
19	13101407	LOOPER COVER PRESSER PLATE				1
20	SS7090530SP	SCREW 9/64-40 L=4.5				1
21	13101001	LOOPER COVER GUIDE PLATE				1
22	SS7090610SP	SCREW 9/64-40 L=6				1
23	SS8110410TP	SCREW 11/64-40 L=3.5				1
24	SS8110410TP	SCREW 11/64-40 L=3.5				1
25	13101506	CLOTH WASTE COVER LEFT	FOR MO-6104D,MO-6114D			1
26	13101605	CLOTH WASTE COVER LEFT	FOR MO-6116D			1
27	SS7110510SP	SCREW 11/64-40 L=5				2
28	12103305	CLOTH BASE SWITCH-TYPE STOPPER				1
29	SS7110710SP	SCREW 11/64-40 L=7				2
30	13101308	LOOPER COVER PRESSER SPRING				1
31	SM4040655SP	SCREW M4 L=6				1
32	13101803	CROTH BASE SUPPORT PLATE				1
33	SS7091410SP	SCREW 9/64-40 L=13.5				1
34	13103650	CLOTH BASE COMPL.				1
35	12102752	CLOTH BASE ASM.		*		1
36	11501301	ECCENTRIC BUSHING		*		1
37	WZ0420350KP	DISC SPRING		*		1
38	CS0400671SD	THRUST HOLDER		*		1
39	SM8040302TP	SETScrew		*		1
40	CM300200001	ATTENTION SEAL				1
41	40004519	ADJUSTING HOLE COVER				1
42	40004520	ADJUSTING HOLE COVER GASKET				1
43	SM4040855SP	SCREW				4
44	13104302	CLOTH BASE COVER RUBBER PLUG				1
45	13102207	CLOTH BASE SWITCH-TYPE SPRING				1
46	NS6110420SP	NUT 11/64-40				1
47	SS6111440SP	SCREW 11/64-40 L=14.0				1

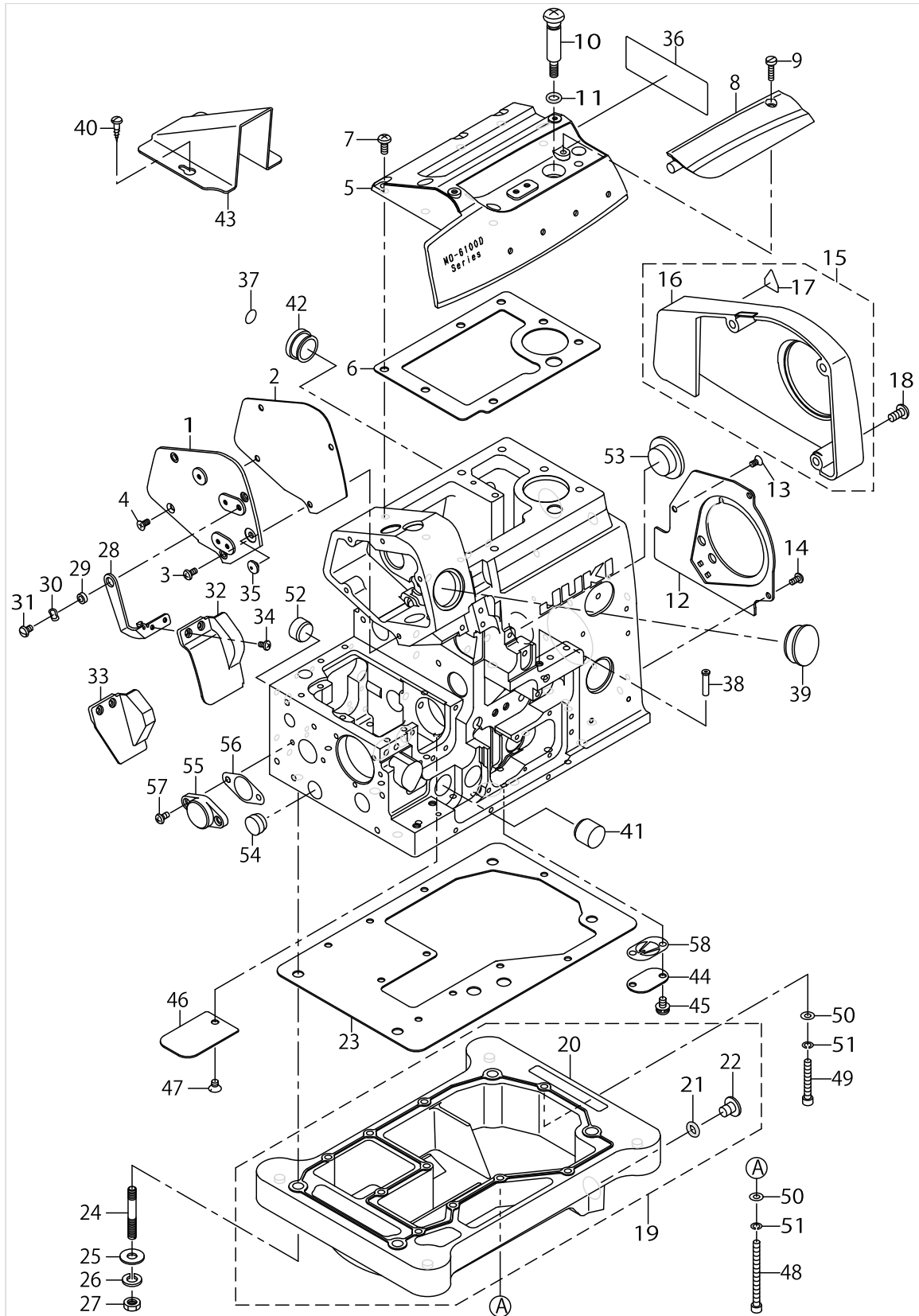
MISCELLANEOUS COVER COMPONENTS (1)



MISCELLANEOUS COVER COMPONENTS (1)

No.	Parts No.	Parts name	Remarks	Level	Cons	Qty
48	13240007	LOOPER COVER HINGE SHAFT A	SELECTIVE PARTS			1
49	13240106	LOOPER COVER HINGE SHAFT B	SELECTIVE PARTS			1
50	13240205	LOOPER COVER HINGE SHAFT C	SELECTIVE PARTS			1
51	40004529	AIR-DISCHARGING CAP				1
52	23630007	TUBE				0.14
53	23640006	SHEET				1
54	SQ1110401MZ	CONNECTING SCREW				1
55	TA0570301M0	PLUG D=5.7X6.1 L=3				1
56	40004528	AIR-DISCHARGING				1
57	SS9151210TP	SCREW 15/64-28 L=11.8				1
58	RO118240100	O-RING				1

MISCELLANEOUS COVER COMPONENTS (2)

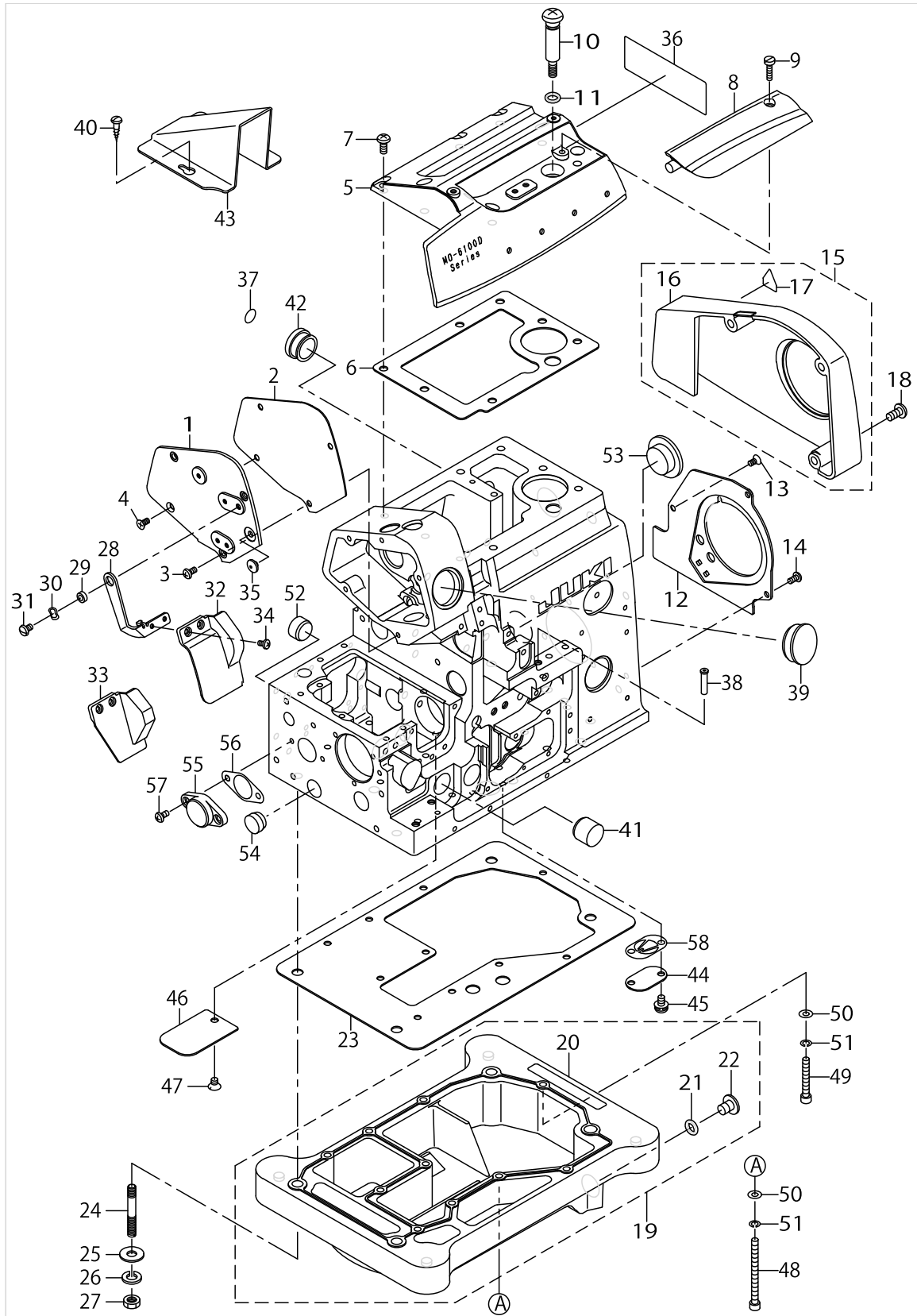


MISCELLANEOUS COVER COMPONENTS (2)

No.	Parts No.	Parts name	Remarks	Level	Cons	Qty
1	13200209	SIDE COVER				1
2	13200308	SIDE COVER GASKET				1
3	SM4040855SP	SCREW				3
4	SM1040801SC	SCREW M4X0.7 L=8				1
5	40004511	UPPER COVER				1
6	40004514	UPPER COVER GASKET				1
7	SM4061255SP	SCREW M6 L=12				7
8	40004513	UPPER COVER WINDOW				1
9	SS6111610SP	SCREW 11/64-40 L=16				1
10	13104500	OIL DRAIN SCREW				1
11	13170204	RUBBER RING				1
12	40004517	COOLING FAN PLATE				1
13	SM1040801SC	SCREW M4X0.7 L=8				1
14	SM4040855SP	SCREW				2
15	13201454	BELT COVER ASM.				1
16	13201405	BELT COVER		*		1
17	CM3002000A1	CAUTION LABEL(16)		*		1
18	SS4151215SP	SCREW 15/64-28 L=12				3
19	40004525	OIL RESERVOIR ASM.				1
20	40004526	OIL RESERVOIR		*		1
21	13170105	RUBBER RING		*		1
22	13171004	DRAIN SCREW		*		1
23	40004527	OIL RESERVOIR GASKET				1
24	13103908	SCREW STUD				4
25	WP0751576SD	WASHER 7.5X19X1.5				4
26	WS0822010KP	SPRING WASHER 8.2X15X2				4
27	NS6680410SP	NUT 9/32-28				4
28	13201108	SAFETY PLATE BRACKET				1
29	13104807	SAFETY PLATE BRACKET COLLAR				1
30	WZ0850302K0	WAVED WASHER 8.5X12.5X0.3				1
31	SS5110710SP	SCREW 11/64-40 L=7				1
32	13201306	SAFETY PLATE	FOR MO-6116D			1
33	13201207	SAFETY PLATE	FOR MO-6104D,MO-6114D			1
34	SS7090611SL	SCREW 9/64-40 L=6.1				2
35	13204003	SAFETY PLATE BUSH				1
36	CM3002001B1	SAFETY LABEL 12				1
37	22901805	GROUND MARK				1
38	13102900	THREAD GUIDE LARGE				2
39	10753309	WINDOW PLATE RUBBER PLUG				1
40	SK3412001SE	WOOD SCREW D=4.1 L=20				2
41	TA1871602R0	RUBBER PLUG	FOR MO-6104D,MO-6114D			1
42	TA2050805R0	RUBBER PLUG				1
43	13160700	BELT COVER (B)				1
44	40004509	UPPER LOOPER COVER				1
45	SS4120615SP	SCREW 3/16-28 L=6				2
46	40004510	LOOPER DRIVING ROOM COVER				1
47	SS1120710SP	SCREW 3/16-28 L=6.5				1



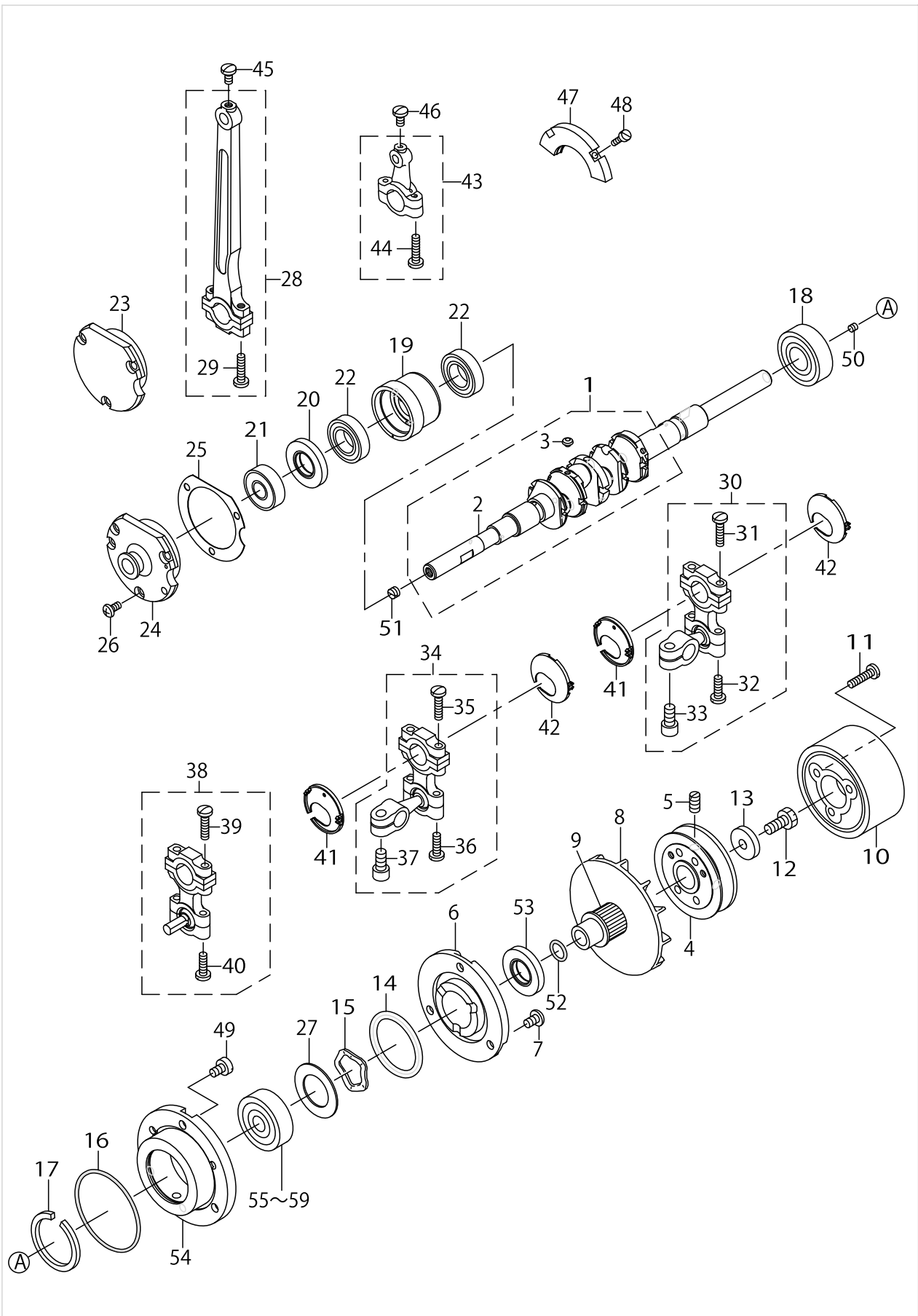
MISCELLANEOUS COVER COMPONENTS (2)



MISCELLANEOUS COVER COMPONENTS (2)

No.	Parts No.	Parts name	Remarks	Level	Cons	Qty
48	SM6056052TP	SCREW M5 L=60				5
49	SM6053502TP	BOLT				5
50	WP0501016SD	WASHER 5X10.5X1				10
51	WS0511302KS	SPRING WASHER 5.1X9.2X1.3				10
52	TA1701002R0	RUBBER PLUG	FOR MO-6104D,MO-6114D			1
53	B8267180000	RUBBER PLUG				1
54	TA1550902R0	PLUG				1
55	40004611	FEED SHAFT THRUST COVER				1
56	40004613	FEED SHAFT THRUST COVER GASKET				1
57	SM4040855SP	SCREW				2
58	40004755	LOOPER FELT PRESSER				1

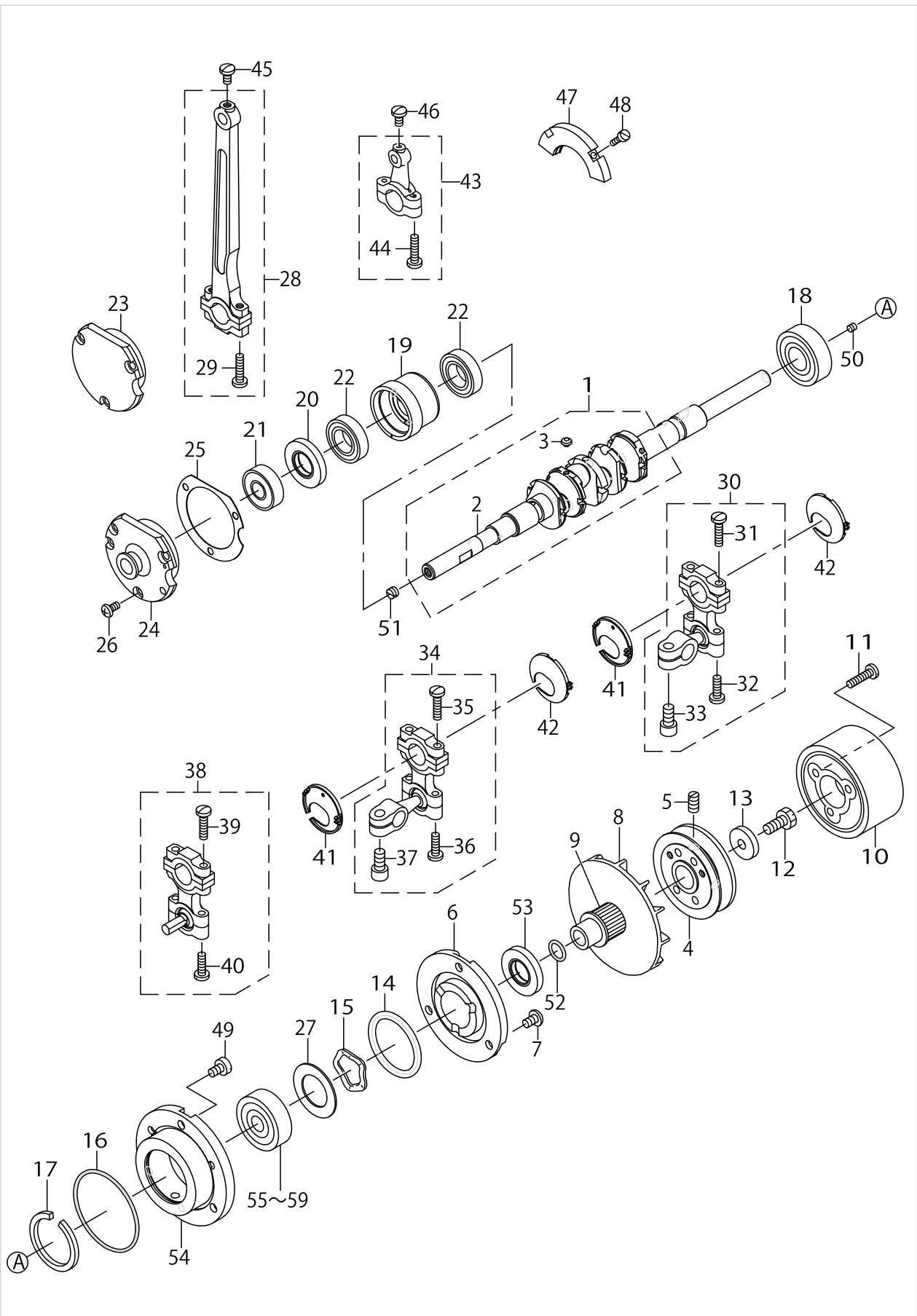
CRANKSHAFT COMPONENTS



CRANKSHAFT COMPONENTS

No.	Parts No.	Parts name	Remarks	Level	Cons	Qty
1	40004535	CRANKSHAFT (40H) ASM.				1
2	40004536	CRANKSHAFT (40H)		*		1
3	SS5080212TP	SCREW 1/8-44 L=2		*		6
4	13107602	HANDWHEEL (A)				1
5	SS8151150TP	SCREW 15/64-28 L=10.5				2
6	40004550	THRUST COLLAR				1
7	SM4050855SP	SCREW M5 L=8				3
8	13108402	COOLING FAN				1
9	40004543	CRANKSHAFT OIL SHIELD				1
10	13107701	HANDWHEEL				1
11	SS7111810TP	SCREW 11/64-40 L=18				3
12	SS9151440CP	SCREW 15/64-28 L=14				1
13	40004549	GEAR THRUST WASHER				1
14	13170303	RUBBER RING				1
15	WZ2640310KH	WAVED WASHER 26.4X33.9X3.5				1
16	40004542	O RING				1
17	B1212704000	BEARING RETAINER				1
18	13108600	CRANKSHAFT BALL BEARING B				1
19	40004545	C METAL				1
20	40004546	C METAL OIL SEAL				1
21	SB110000600	BALL BEARING				1
22	40004547	CRANKSHAFT BALL BEARING C				1
23	13108006	CRANKSHAFT BUSHING D	FOR MO-6104D,MO-6114D			1
24	13108105	CRANKSHAFT BUSHING D	FOR MO-6116D			1
25	12108403	CRANKSHAFT BUSHING D GASKET				1
26	SM4040855SP	SCREW				3
27	13108303	BEARING HOLDING PLATE				1
28	12109153	CONNECTING ROD ASM.				1
29	SS7111810TP	SCREW 11/64-40 L=18		*		2
30	12122362	UPPER LOOPER ROD ASM.				1
31	SS7111810TP	SCREW 11/64-40 L=18		*		2
32	SS7111410TP	SCREW 11/64-40 L=14		*		2
33	SM6061202TP	SCREW M6 L=12		*		1
34	12123360	LOWER LOOPER ROD ASM. A	FOR MO-6104D,MO-6114D			1
35	SS7111810TP	SCREW 11/64-40 L=18		*		2
36	SS7111410TP	SCREW 11/64-40 L=14		*		2
37	SM6061202TP	SCREW M6 L=12		*		1
38	12120150	LOWER LOOPER ROD ASM. B	FOR MO-6116D			1
39	SS7111810TP	SCREW 11/64-40 L=18		*		2
40	SS7111410TP	SCREW 11/64-40 L=14		*		2
41	13222807	LOOPER ROD CENTER REST LEFT				2
42	13222906	LOOPER ROD CENTER REST RIGHT				2
43	12132155	KNIFE DRIVING ROD ASM.				1
44	SS7111810TP	SCREW 11/64-40 L=18		*		2
45	SS7110840SP	SCREW 11/64-40 L=7.8				1
46	SS7110840SP	SCREW 11/64-40 L=7.8				1
47	40017714	BALANCER				1

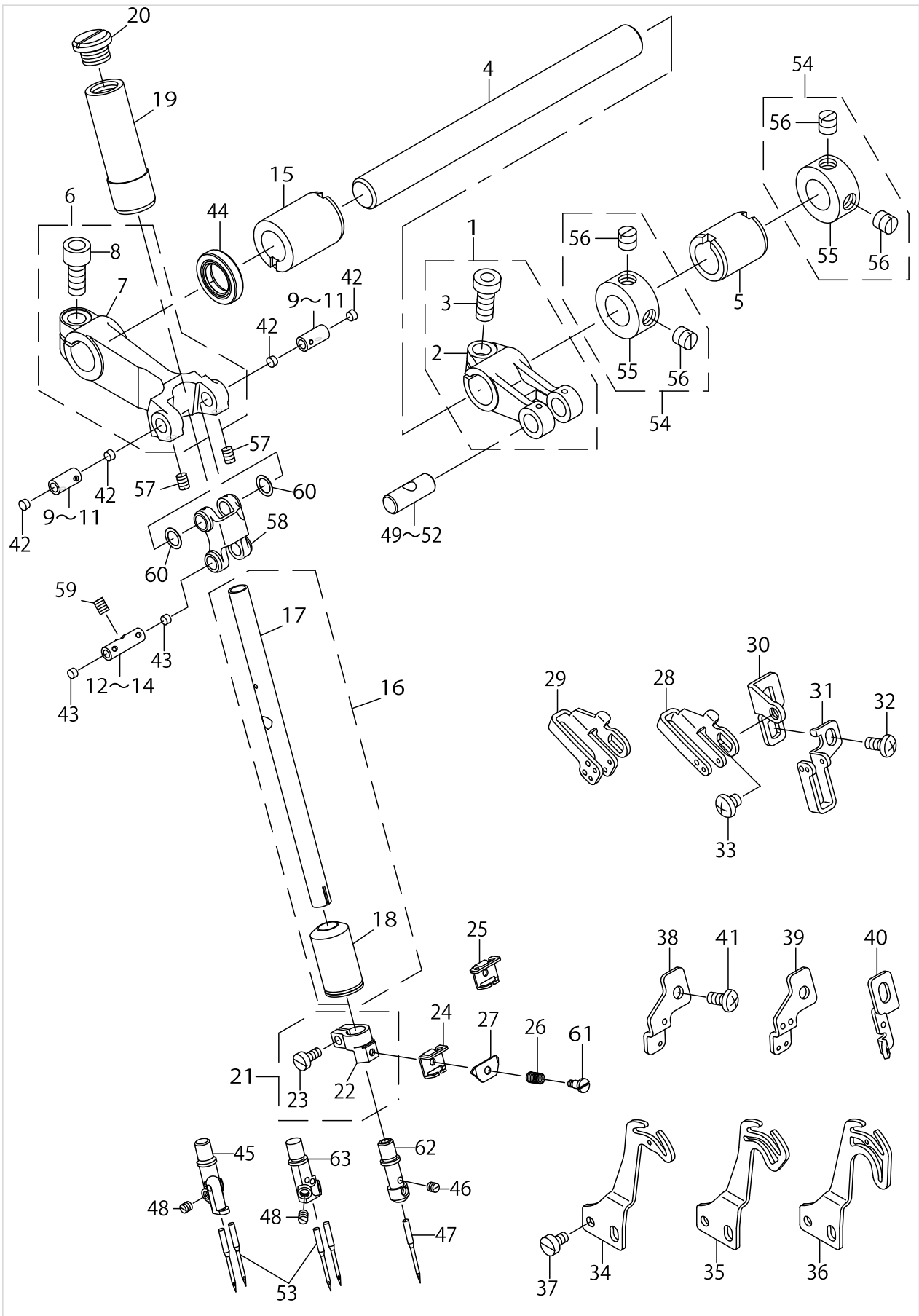
CRANKSHAFT COMPONENTS



CRANKSHAFT COMPONENTS

No.	Parts No.	Parts name	Remarks	Level	Cons	Qty
48	SS6081210TP	SCREW 1/8-44 L=12				2
49	SM6050800SP	SCREW M5 L=8				3
50	SS8110422TP	SCREW 11/64-40 L=4				2
51	SS8150410TP	SCREW 15/64-28 L=4.0	FOR MO-6104D,MO-6114D			2
52	RO098190100	RUBBER RING				1
53	40004546	C METAL OIL SEAL				1
54	40004540	A METAL				1
55	40004551	BEARING	SELECTIVE PARTS			1
56	40004552	BEARING	SELECTIVE PARTS			1
57	40004553	BEARING	SELECTIVE PARTS			1
58	40004554	BEARING	SELECTIVE PARTS			1
59	40004555	BEARING	SELECTIVE PARTS			1

NEEDLE DRIVING SHAFT COMPONENTS

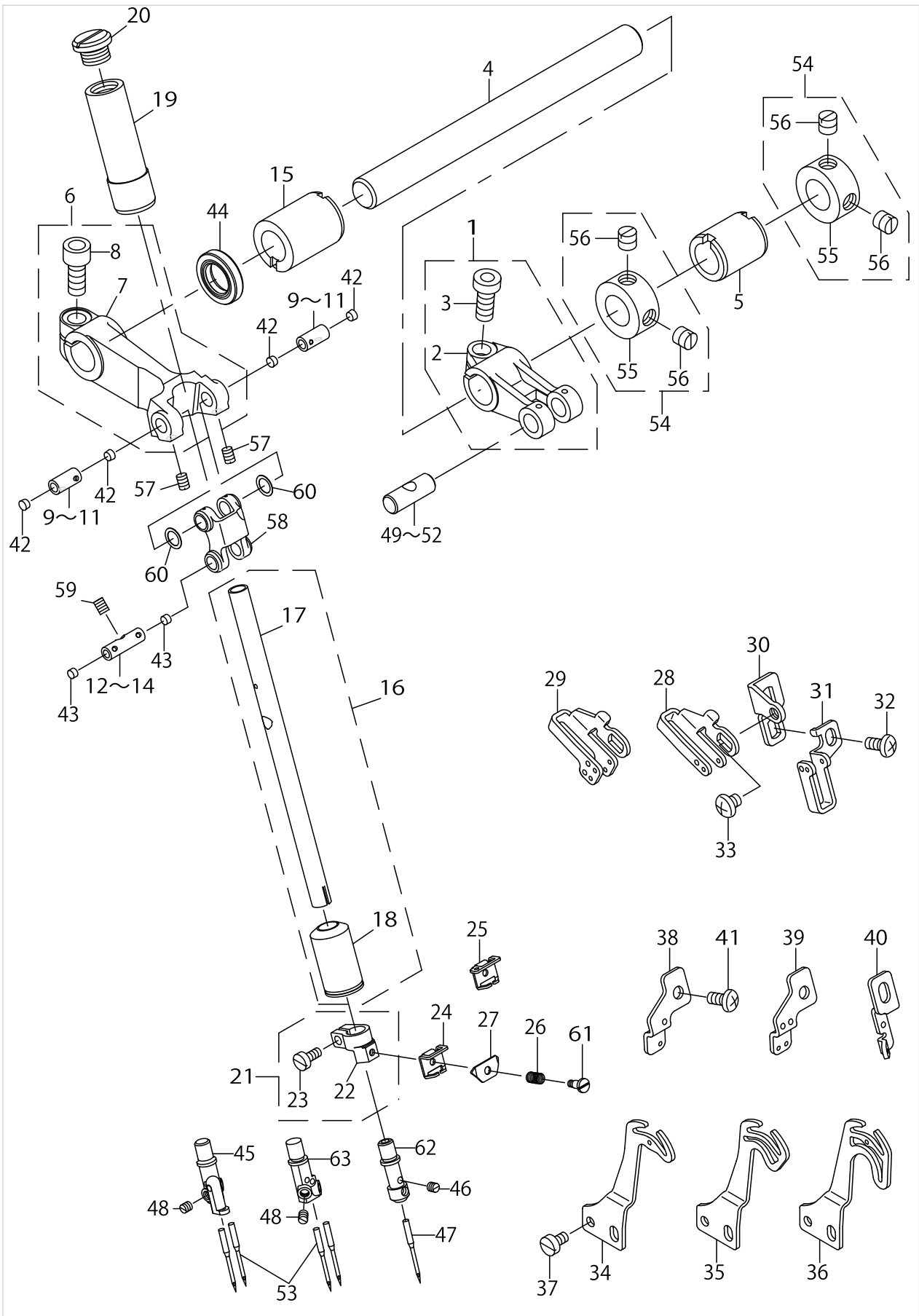


NEEDLE DRIVING SHAFT COMPONENTS

No.	Parts No.	Parts name	Remarks	Level	Cons	Qty
1	13110556	FEED FORKED CRANK ASM.				1
2	13110507	NEEDLE DRIVING BRANCH CRANK		*		1
3	SM6061402TP	SCREW M6 L=14		*		1
4	40004558	NEEDLE DRIVING SHAFT				1
5	13110101	BUSHING REAR				1
6	13209853	NEEDLE DRIVING ARM ASM.				1
7	13209804	NEEDLE DRIVING ARM		*		1
8	SM6061402TP	SCREW M6 L=14		*		1
9	40004559	NEEDLE DRIVING ARM PIN A	SELECTIVE PARTS			2
10	40004561	NEEDLE DRIVING ARM PIN B	SELECTIVE PARTS			2
11	40004563	NEEDLE DRIVING ARM PIN C	SELECTIVE PARTS			2
12	40004565	NEEDLE DRIVING PIN A	SELECTIVE PARTS			1
13	40004567	NEEDLE DRIVING PIN B	SELECTIVE PARTS			1
14	40004569	NEEDLE DRIVING PIN C	SELECTIVE PARTS			1
15	40004572	FRONT METAL				1
16	40004576	NEEDLE ROD (B) ASM.				1
17	13210000	NEEDLE HOLDER(B)		*		1
18	40004577	NEEDLE ROD LOWER METAL		*		1
19	40004578	NEEDLE ROD UPPER METAL				1
20	13207808	NEEDLE ROD BUSHING CAP SCREW				1
21	13110259	NEEDLE CLAMP HOLDER ASM.				1
22	13110200	NEEDLE CLAMP HOLDER		*		1
23	SS6080720SP	SCREW 1/8-44 L=7		*		1
24	13110705	NEEDLE THREAD PRESSER GUIDE A	FOR MO-6104D,MO-6114D			1
25	13110804	NEEDLE THREAD PRESSER GUIDE B	FOR MO-6116D			1
26	13110903	NEEDLE THREAD PRESSER SPRING				1
27	13111000	NEEDLE THREAD PRESSER PLATE A				1
28	13208806	NEEDLE THREAD GUIDE	FOR MO-6104D,MO-6116D			1
29	13208905	THREAD GUIDE 2-NEEDLE	FOR MO-6114D			1
30	13208707	NEEDLE THREAD GUIDE BASE				1
31	13111109	THREAD GUIDE CHAIN LOOPER	FOR MO-6116D			1
32	SM4040855SP	SCREW				2
33	SS4110515SP	SCREW 11/64-40 L=5				1
34	13111208	NEEDLE THREAD TAKE-UP LEVER	FOR MO-6104D			1
35	13111307	TAKE-UP LEVER 2-NEEDLE	FOR MO-6114D			1
36	13111406	TAKE-UP LEVER CHAIN LOOP	FOR MO-6116D			1
37	SS6090670TP	SCREW 9/64-40 L=6				2
38	13111505	NEEDLE THREAD BALANCE GUIDE	FOR MO-6104D,MO-6116D			1
39	13111604	TAKE-UP LEVER GUIDE 2-NEEDLE	FOR MO-6114D			1
40	13111703	TAKE-UP LEVER GUIDE.CHAIN LOOP	FOR MO-6116D			1
41	SM4040855SP	SCREW				1
42	40004580	NEEDLE DRIVING ARM PIN PLUG				4
43	11517307	PLUG				2
44	40004573	OIL SEAL				1
45	12257002	CHAIN LOOPER NEEDLE CLAMP. DEA	FOR MO-6116D			1
46	SS8080310TP	SCREW 1/8-44 L=2.8	FOR MO-6104D			1
47	MDC270B1100	NEEDLE DCX27 #11	FOR MO-6104D			1



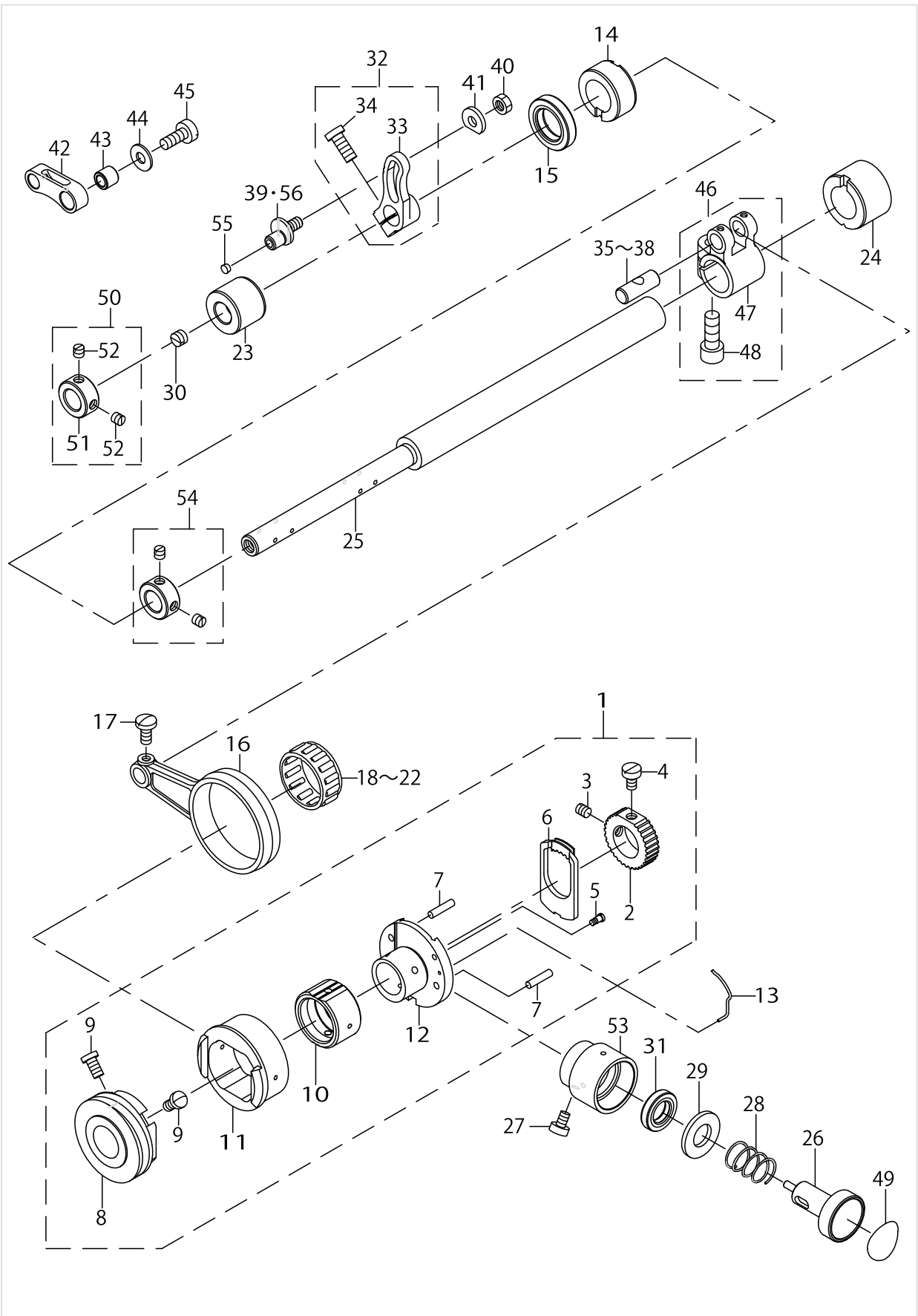
NEEDLE DRIVING SHAFT COMPONENTS



NEEDLE DRIVING SHAFT COMPONENTS

No.	Parts No.	Parts name	Remarks	Level	Cons	Qty
48	SS8080310TP	SCREW 1/8-44 L=2.8	FOR MO-6114D,MO-6116D			2
49	13122007	FEED BRANCH CRANK PIN A	SELECTIVE PARTS			1
50	13122106	FEED BRANCH CRANK PIN B	SELECTIVE PARTS			1
51	13122205	FEED BRANCH CRANK PIN C	SELECTIVE PARTS			1
52	13122304	FEED BRANCH CRANK PIN D	SELECTIVE PARTS			1
53	MDC270B1100	NEEDLE DCX27 #11	FOR MO-6114D,MO-6116D			2
54	13172754	THRUST COLLAR ASM.				2
55	13172705	THRUST COLLAR		*		1
56	SS8660610TP	SCREW 1/4-40 L=6		*		2
57	SS8090530TP	SCREW 9/64-40 L=5.0				2
58	40004574	NEEDLE DRIVING LINK				1
59	SS8090530TP	SCREW 9/64-40 L=5.0				1
60	13208103	NEEDLE DRIVING LINK WASHER				2
61	SD0280401SL	HINGE SCREW D=2.8 H=4				1
62	13175005	NEEDLE CLAMP 1-NEEDLE	FOR MO-6104D			1
63	12256905	NEEDLE CLAMP 2-NEEDLE(BE6)	FOR MO-6114D			1

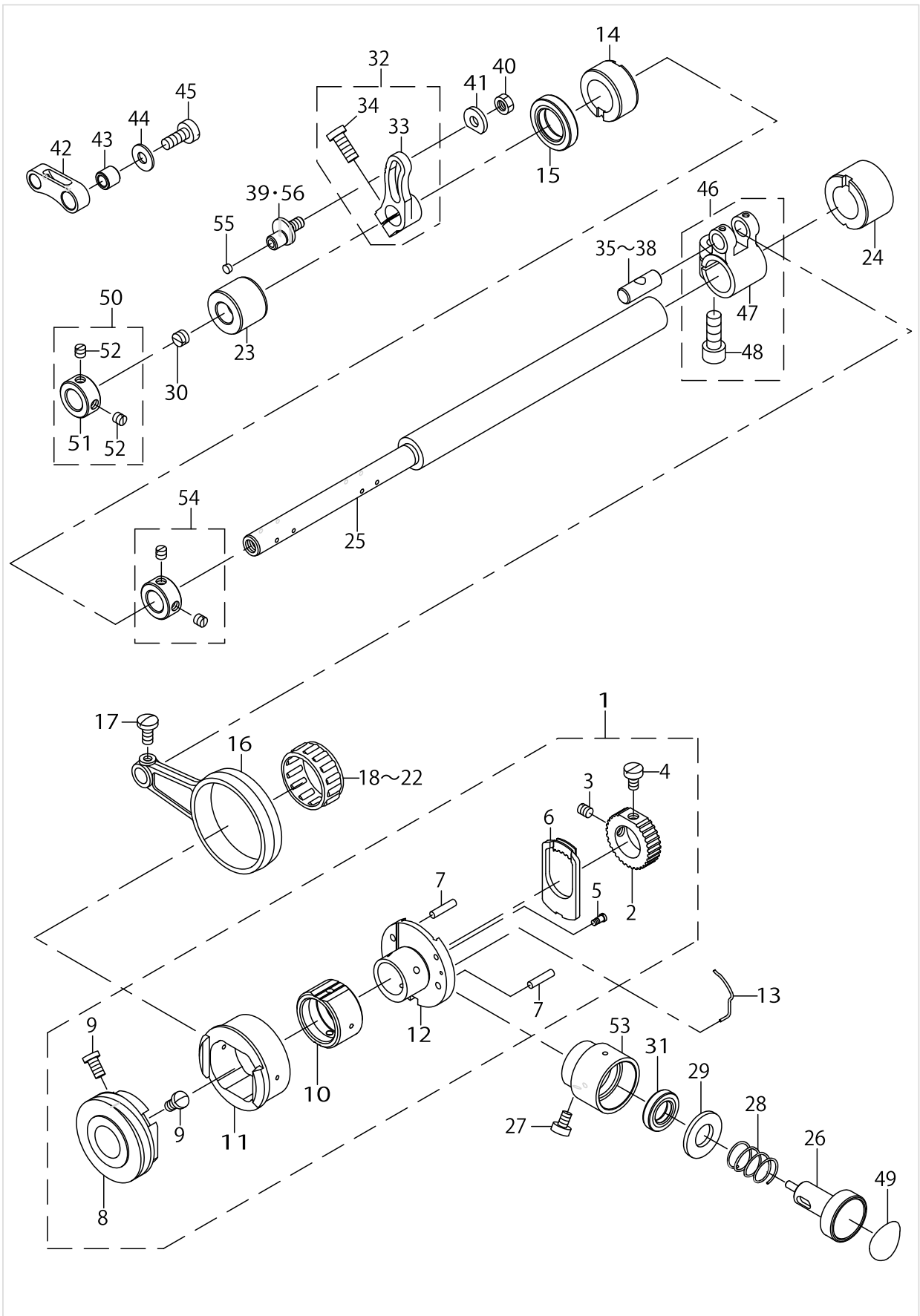
FEED MECHANISM COMPONENTS (1)



FEED MECHANISM COMPONENTS (1)

No.	Parts No.	Parts name	Remarks	Level	Cons	Qty
1	40004591	FEED ECCENTRIC BASE ASM.				1
2	40004592	RATCHET GEAR		*		1
3	SS8110510SP	SCREW 11/64-40 L=5		*		1
4	SS6110710TP	SCREW 11/64-40 L=6.5		*		1
5	SD0260271SP	HINGE SCREW D=2.60 H=2.7		*		1
6	40004593	RATCHET		*		1
7	PS0300102K0	SPRING PIN 3.0X10		*		2
8	40004597	FEED ECCENTRIC SUPPORT WORM		*		1
9	SS7110810SP	SCREW 11/64-40 L=8.0		*		2
10	40004595	FEED CAM BLOCK		*		1
11	40004596	FEED CAM		*		1
12	40004594	FEED ADJUSTING CAM		*		1
13	13122502	RATCHET PAWL SPRING				1
14	40004604	FEED SHAFT INNER METAL				1
15	40004606	OIL SEAL				1
16	40004599	FEED CRANK ROD				1
17	SS7110910TP	SCREW 11/64-40 L=8.5				1
18	SB33500020A	BEARING	SELECTIVE PARTS			1
19	SB33500020B	BEARING	SELECTIVE PARTS			1
20	SB33500020C	BEARING	SELECTIVE PARTS			1
21	SB33500020D	BEARING	SELECTIVE PARTS			1
22	SB33500020E	BEARING	SELECTIVE PARTS			1
23	40004603	FEED SHAFT FRONT METAL				1
24	40004605	FEED SHAFT REAR METAL				1
25	40004608	FEED SHAFT				1
26	40004649	PUSH BUTTON SHAFT				1
27	SS6090610SP	SCREW 9/64-40 L=5.5				1
28	40004652	PUSH BUTTON SPRING				1
29	WP1052001SC	WASHER 10.5X21X2				1
30	SS8150410TP	SCREW 15/64-28 L=4.0				2
31	40004699	OIL SEAL				1
32	13119953	MAIN FEED ARM ASM.				1
33	13119904	MAIN FEED ARM		*		1
34	SM6051202TP	SCREW M5X0.8 L=12		*		1
35	13122007	CRANK PIN A	SELECTIVE PARTS			1
36	13122106	CRANK PIN B	SELECTIVE PARTS			1
37	13122205	CRANK PIN C	SELECTIVE PARTS			1
38	13122304	CRANK PIN D	SELECTIVE PARTS			1
39	40004659	MAIN FEED ARM PIN A	SELECTIVE PARTS			1
40	NS6620320SP	NUT 3/16-32				1
41	13120001	WASHER B				1
42	40004627	MAIN FEED LINK				1
43	40004629	MAIN FEED PIN COLLAR				1
44	13120605	WASHER				1
45	SS6121220TP	SCREW 3/16-28 L=11.5				1
46	40004600	FEED BRANCH CRANK ASM.				1
47	40004601	FEED BRANCH CRANK		*		1

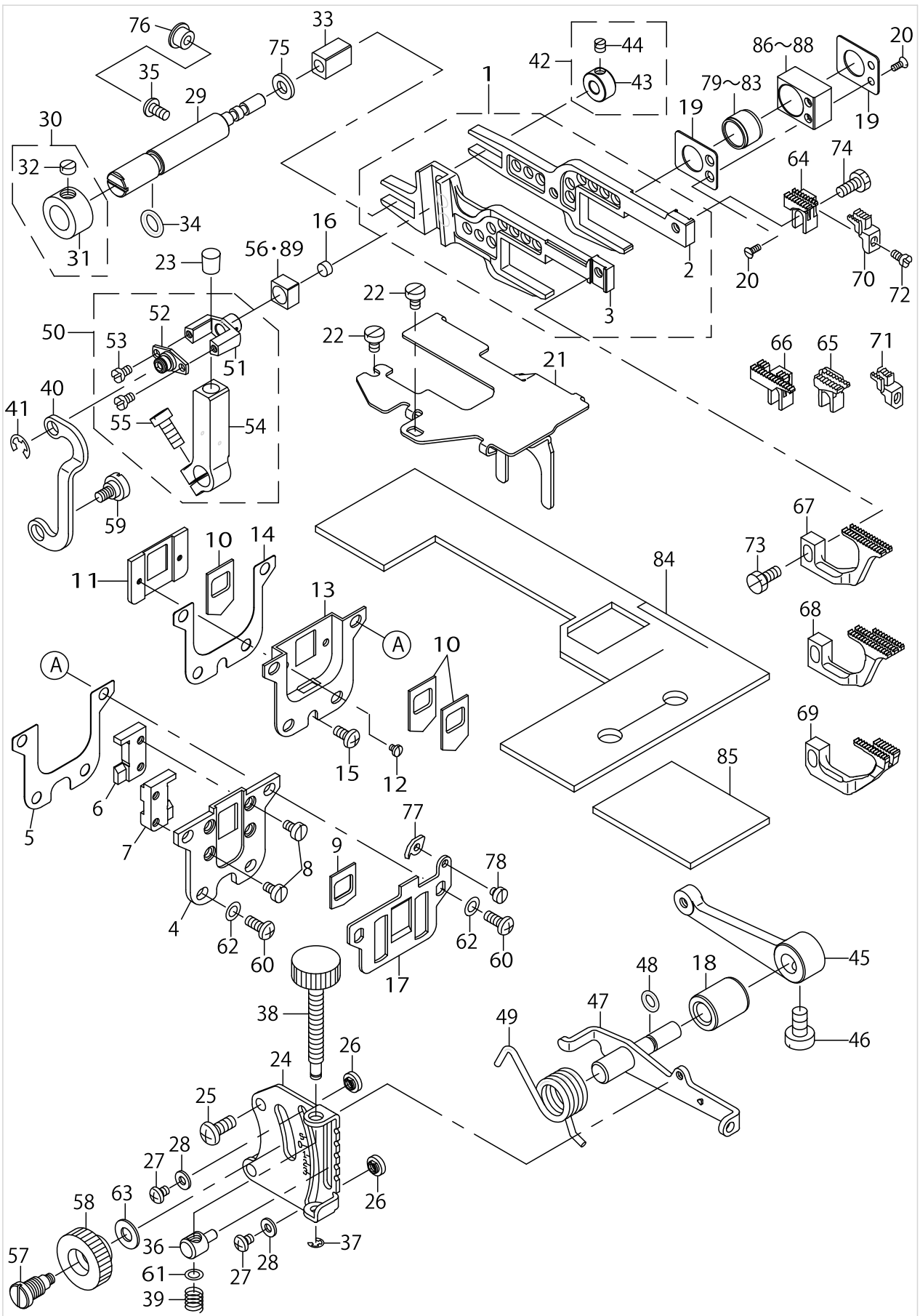
FEED MECHANISM COMPONENTS (1)



FEED MECHANISM COMPONENTS (1)

No.	Parts No.	Parts name	Remarks	Level	Cons	Qty
48	SM6061602TP	SCREW M6 L=16		*		1
49	40004651	PUSH BUTTON SEAL				1
50	13172556	FEED SHAFT THRUST COLLAR ASM.				1
51	13172507	FEED SHAFT THRUST COLLAR		*		1
52	SS8110410TP	SCREW 11/64-40 L=3.5		*		2
53	40004648	PUSH BUTTON SHAFT BUSH				1
54	CS150101ATH	THRUST COLLAR ASM.				1
55	TA0340201R0	PLUG D=3.4X3.9 L=2				1
56	40004660	MAIN FEED ARM PIN B	SELECTIVE PARTS			1

FEED MECHANISM COMPONENTS (2)

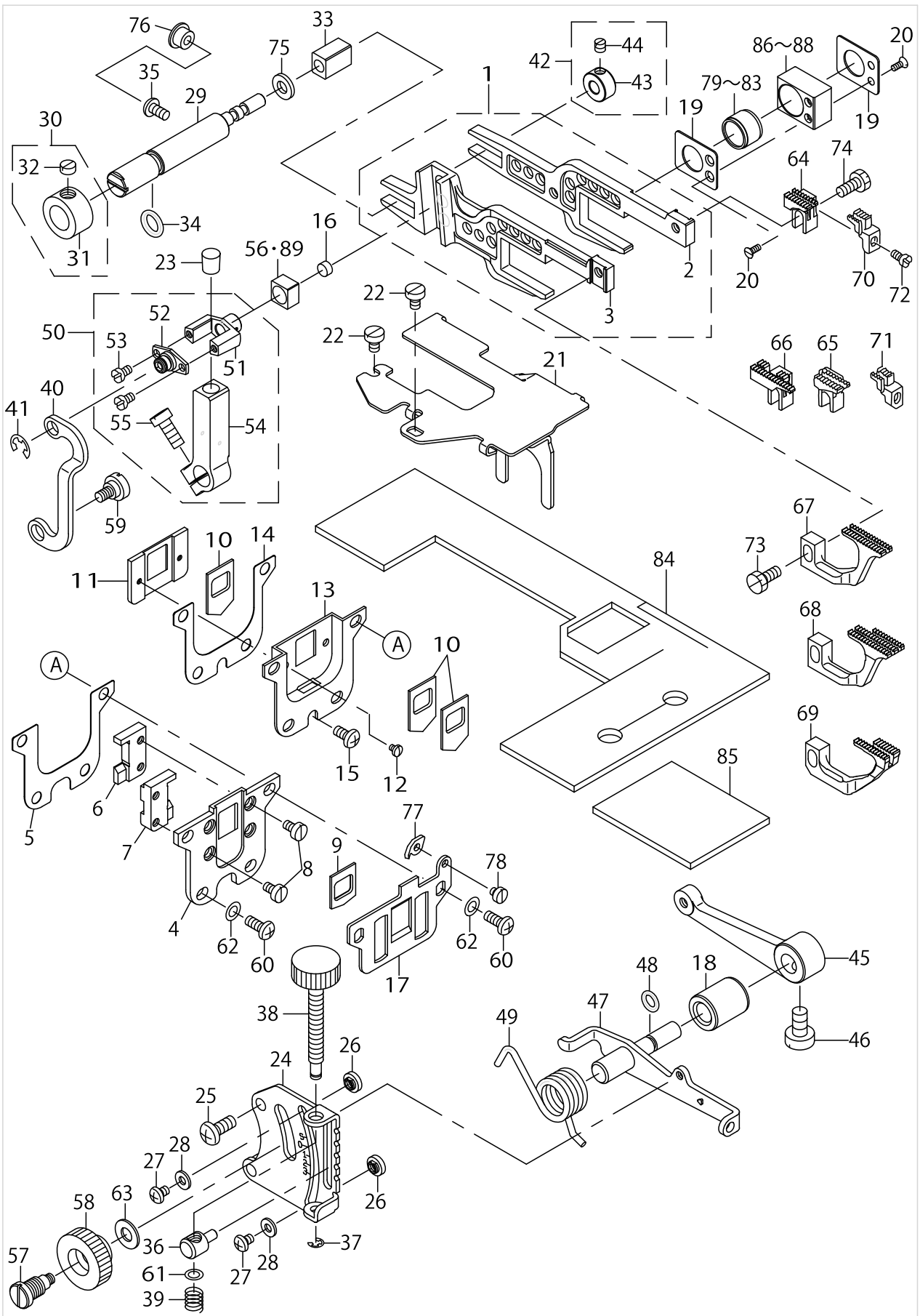


FEED MECHANISM COMPONENTS (2)

No.	Parts No.	Parts name	Remarks	Level	Cons	Qty
1	13215157	FEED ROCKER ASM.				1
2	13215108	MAIN FEED BAR		*		1
3	13215207	DIFFERENTIAL FEED BAR		*		1
4	13215306	RUBBER CASE				1
5	13215405	RUBBER CASE GASKET				1
6	13215504	FEED BAR SUPPORT RIGHT				1
7	13215603	FEED BAR SUPPORT LEFT				1
8	SS6090620TP	SCREW				4
9	12118303	DUST-PROOF RUBBER				1
10	12118204	OIL SHIELD RUBBER				3
11	13215702	RUBBER HOLDING PLATE				1
12	SS7060310SP	SCREW 3/32-56 L=3				2
13	13215900	OIL SHIELD CASE				1
14	13216007	OIL SHIELD CASE GASKET				1
15	SM4040855SP	SCREW				1
16	11806304	PLUG				1
17	13215801	THROAT PLATE SUPPORT				1
18	40004645	DIFFERENTIAL FEED GRADUATION				1
19	40004618	STOPPER				2
20	SS1060610SP	SCREW 3/32-56 L=5.5				4
21	40004754	FEED FELT PRESSER				1
22	SM6040600SP	SCREW M4 L=6				2
23	TA0690801R0	PLUG D=6.9X7.5 L=8				1
24	13122809	DIFFERENTIAL FEED GRADUATION				1
25	SM4051255SP	SCREW M5 L=12.				2
26	13121405	ADJUSTING STOPPER				2
27	SS4090515SP	SCREW 9/64-40 L=5				2
28	WP0371016SD	WASHER 3.7X8X1				2
29	40004643	DRIVING SUPPORT SHAFT				1
30	13121058	HRUST COLLAR ASM.				1
31	13121009	HRUST COLLAR		*		1
32	SS8660330SP	SCREW 1/4-40 L=3.0		*		1
33	13120803	SLIDE BLOCK				1
34	13170204	RUBBER RING				1
35	SM4040855SP	SCREW				1
36	13217708	DIFFERENTIAL FEED BLOCK				1
37	RE0300000K0	E-RING 3				1
38	13213012	ADJUSTING SCREW				1
39	13123302	DIFFERENTIAL FEED SCREW SPRING				1
40	40004646	DIFFERENTIAL FEED LINK				1
41	RE0500000K0	E-RING 5				1
42	13121256	SUPPORT SHAFT COLLAR ASM.				1
43	13121207	SUPPORT SHAFT COLLAR		*		1
44	SS8110410TP	SCREW 11/64-40 L=3.5		*		1
45	40004647	DIFFERENTIAL FEED ARM				1
46	SS6661110SP	SCREW 1/4-40 L=11				1
47	13217351	ROCKER SHAFT ASM.				1



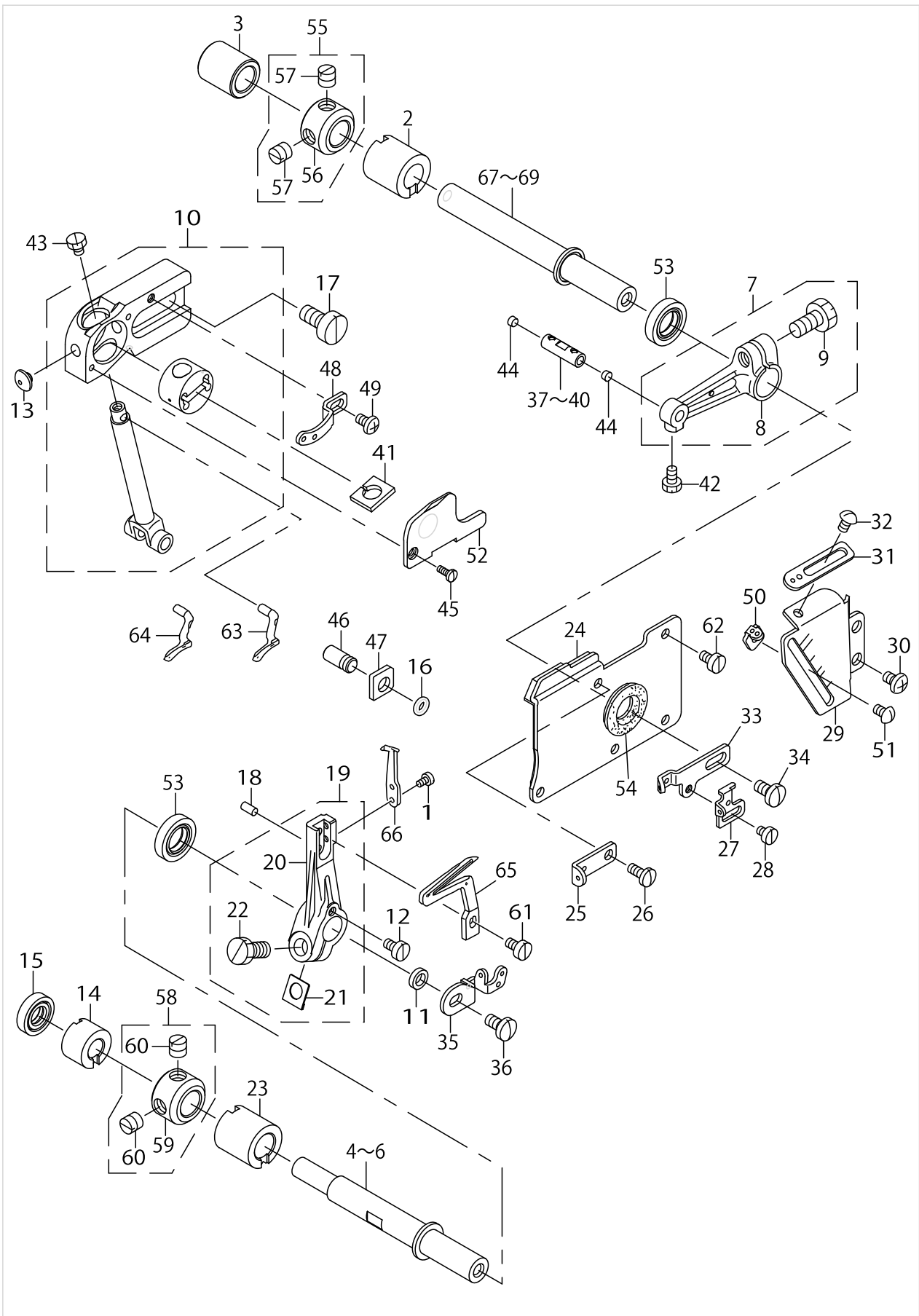
FEED MECHANISM COMPONENTS (2)



FEED MECHANISM COMPONENTS (2)

No.	Parts No.	Parts name	Remarks	Level	Cons	Qty
48	13170501	RUBBER RING				1
49	13121603	ADJUSTING LEVER SPRING				1
50	40019589	DIFFERENTIAL FEED ARM ASM.				1
51	40019591	DIFFERENTIAL FEED PIN		*		1
52	40004638	DIFFERENTIAL FEED COVER		*		1
53	SS6080410SP	SCREW 1/8-44 L=4		*		2
54	40019590	DIFFERENTIAL FEED ARM		*		1
55	SM6051202TP	SCREW M5X0.8 L=12		*		1
56	40004641	SLIDE BLOCK A	SELECTIVE PARTS			1
57	13217401	DIFFERENTIAL FEED HINGE SCREW				1
58	13217500	DIFFERENTIAL FEED LOCK NUT				1
59	SD0720271SP	HINGE SCREW D=7.2 H=2.7				1
60	SM4041055SP	SCREW M4 L=10				4
61	WP0460556SD	WASHER 4.6X7.5X0.5				1
62	WP0480856SP	WASHER 4.8X8.4X0.8				4
63	WP0621016SD	WASHER 6.2X13X1				1
64	13191606	MAIN FEED DOG	FOR MO-6104D			1
65	11949807	MAIN FEED DOG (F-25)	FOR MO-6114D			1
66	13192406	MAIN FEED DOG	FOR MO-6116D			1
67	13192802	DIFFERENTIAL FEED DOG	FOR MO-6104D			1
68	13193206	DIFFERENTIAL FEED DOG	FOR MO-6114D			1
69	13193602	DIFFERENTIAL FEED DOG	FOR MO-6116D			1
70	13191309	AUXILIARY FEED DOG	FOR MO-6104D,MO-6114D			1
71	13191408	AUXILIARY FEED DOG	FOR MO-6116D			1
72	SS4080620TP	SCREW 1/8-44 L=6				1
73	SS9111010SP	SCREW 11/64-40 L=9.5				1
74	SS9111050SP	SCREW 11/64-40 L=9.5				1
75	13121108	WASHER				1
76	TA0800504R0	PLUG D=8 L=4.5				1
77	13200902	FEED MECHANISM COVER PRESSER				1
78	SS6080340SP	SCREW 1/8-44 L=2.9				1
79	40004619	BEARING A	SELECTIVE PARTS			1
80	40004620	BEARING B	SELECTIVE PARTS			1
81	40004621	BEARING C	SELECTIVE PARTS			1
82	40004622	BEARING D	SELECTIVE PARTS			1
83	40004623	BEARING E	SELECTIVE PARTS			1
84	40004752	FEED FELT A				1
85	40004753	FEED FELT B				1
86	40004653	SLIDE BLOCK A	SELECTIVE PARTS			1
87	40004654	SLIDE BLOCK B	SELECTIVE PARTS			1
88	40004655	SLIDE BLOCK C	SELECTIVE PARTS			1
89	40004642	SLIDE BLOCK B	SELECTIVE PARTS			1

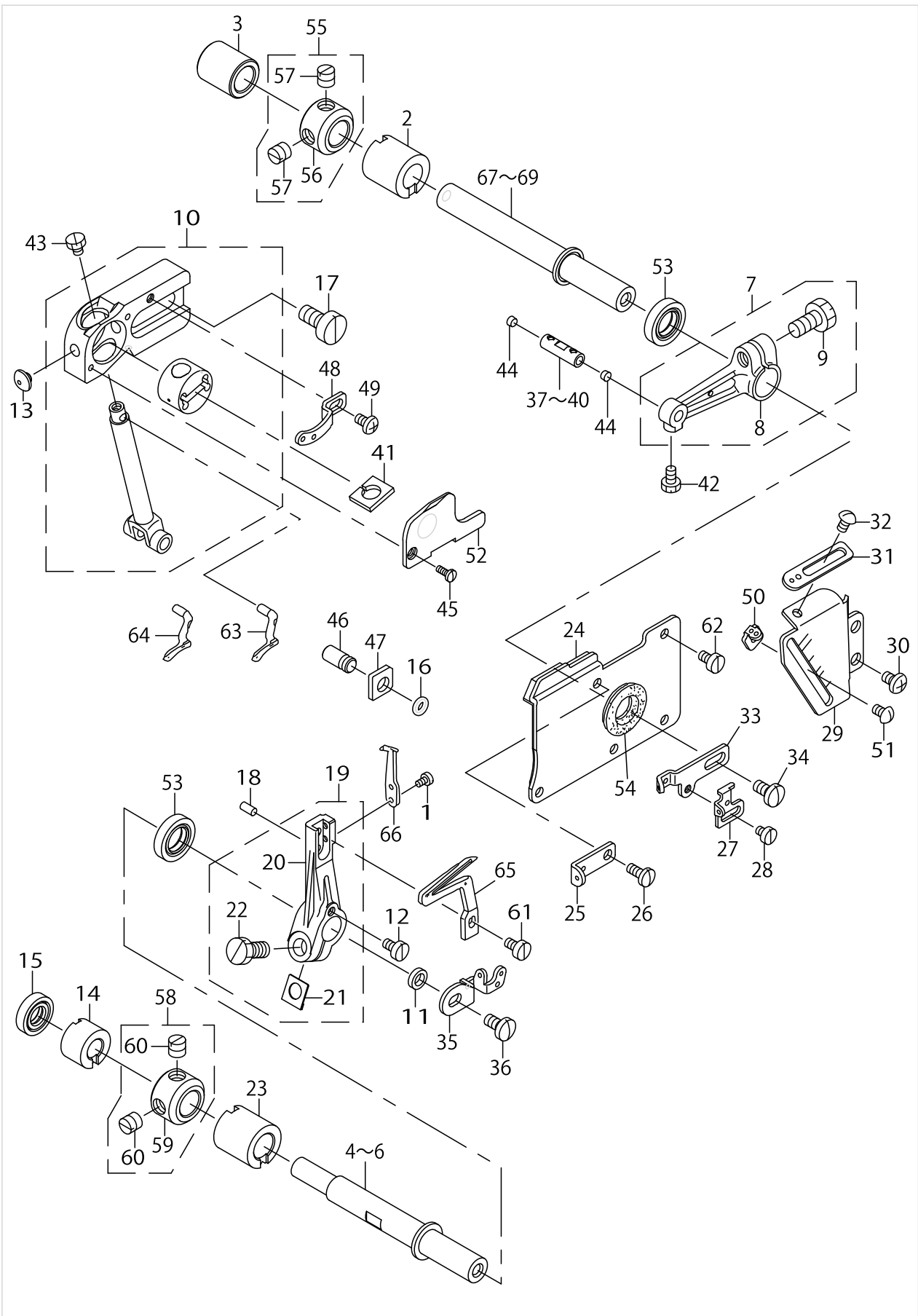
UPPER & LOWER LOOPER COMPONENTS



UPPER & LOWER LOOPER COMPONENTS

No.	Parts No.	Parts name	Remarks	Level	Cons	Qty
1	SS6060440TP	SCREW 3/32-56 L=3.5				2
2	40004696	UPPER LOOPER SHAFT FRONT METAL				1
3	13222708	LOOPER SHAFT REAR BUSHING				1
4	40004701	LOWER LOOPER SHAFT A	SELECTIVE PARTS			1
5	40004702	LOWER LOOPER SHAFT B	SELECTIVE PARTS			1
6	40004703	LOWER LOOPER SHAFT C	SELECTIVE PARTS			1
7	13131156	UPPER LOOPER ARM B ASM.				1
8	13131107	UPPER LOOPER ARM B		*		1
9	SS9151210TP	SCREW 15/64-28 L=11.8		*		1
10	40039400	GUIDE SUPPORT A ASM.				1
11	13132600	COLLAR				1
12	SS6090630TP	SCREW 9/64-40 L=6				1
13	13204003	SAFETY PLATE BUSH				1
14	40004697	UPPER LOOPER SHAFT REAR METAL				1
15	40004683	OIL SEAL				1
16	13170600	RUBBER RING				1
17	SM6061200SP	SCREW M6 L=12				2
18	PS0300062KH	SPRING PIN 3X6				1
19	13132550	LOWER LOOPER SUPPORT ARM ASM.				1
20	13132501	LOWER LOOPER SUPPORT ARM		*		1
21	13129309	WASHER		*		1
22	SS9151210TP	SCREW 15/64-28 L=11.8		*		1
23	40004698	LOWER LOOPER SHAFT FRONT METAL				1
24	13133053	OIL SHIELD PLATE ASM.				1
25	12340600	UPPER LOOPER THREAD GUIDE				1
26	SS7090850SP	SCREW 9/64-40 L=8				1
27	12340709	LOWER LOOPER THREAD TAKE-UP				1
28	SS6080410SP	SCREW 1/8-44 L=4				1
29	13222401	LOOPER THREAD TAKE-UP COVER				1
30	SM4040655SP	SCREW M4 L=6				2
31	12340303	THREAD GUIDE RIGHT				1
32	SS3090610SP	SCREW 9/64-40 L=6				1
33	12340402	THREAD TAKE-UP RIGHT				1
34	SS7110840SP	SCREW 11/64-40 L=7.8				1
35	13132907	LOOPER THREAD TAKE-UP LEFT				1
36	SS7110840SP	SCREW 11/64-40 L=7.8				1
37	40004716	UPPER LOOPER HOLDER PIN A	SELECTIVE PARTS			1
38	40004718	UPPER LOOPER HOLDER PIN B	SELECTIVE PARTS			1
39	40004720	UPPER LOOPER HOLDER PIN C	SELECTIVE PARTS			1
40	40004722	UPPER LOOPER HOLDER PIN D	SELECTIVE PARTS			1
41	40004751	UPPER LOOPER GUIDE FELT				1
42	SS9090610TP	SCREW 9/64-40 L=5.5				1
43	SS9090410TP	SCREW				1
44	40004580	NEEDLE DRIVING ARM PIN PLUG				2
45	SS7060610SP	SCREW 3/32-56 L=5.5				2
46	13131800	GAUGE FIXING PIN				1
47	13132006	GUIDE SUPPORT GAUGE				1

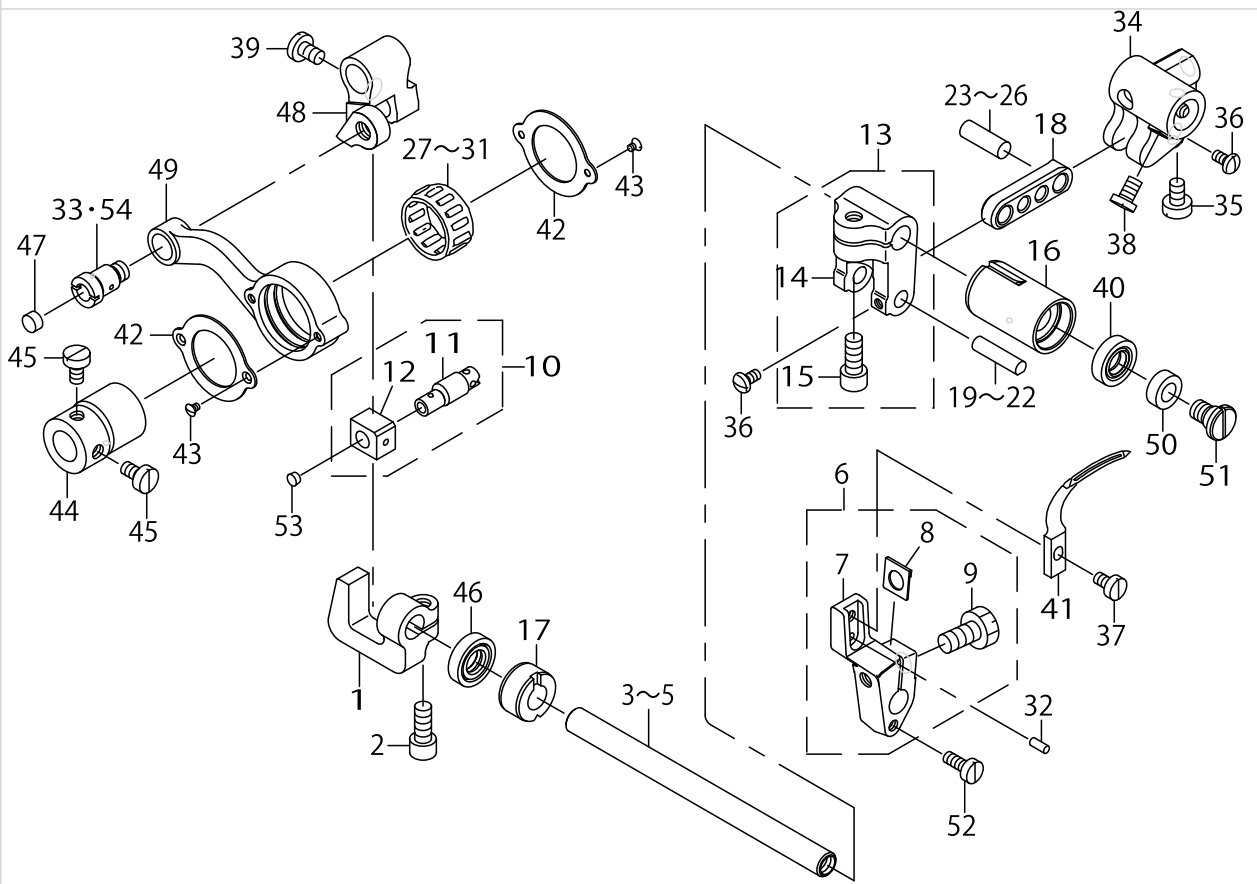
UPPER & LOWER LOOPER COMPONENTS



UPPER & LOWER LOOPER COMPONENTS

No.	Parts No.	Parts name	Remarks	Level	Cons	Qty
48	12340501	THREAD GUIDE UPPER				1
49	SS4090615SP	SCREW 9/64-40 L=6				1
50	12340808	THREAD GUIDE				1
51	SS3090610SP	SCREW 9/64-40 L=6				1
52	40004713	UPPER LOOPER GUIDE COVER A				1
53	40004699	OIL SEAL				2
54	B2530704000	UPPER LOOPER SHAFT RUBBER RING				1
55	13172853	THRUST COLLAR ASM.	FOR MO-6104D,MO-6114D			2
56	13172804	THRUST COLLAR		*		1
57	SS8660610TP	SCREW 1/4-40 L=6		*		2
58	13172853	THRUST COLLAR ASM.	FOR MO-6116D			1
59	13172804	THRUST COLLAR		*		1
60	SS8660610TP	SCREW 1/4-40 L=6		*		2
61	SS6090620TP	SCREW				1
62	SS6090630TP	SCREW 9/64-40 L=6				4
63	11991908	UPPER LOOPER	FOR MO-6104D,MO-6116D			1
64	12176103	UPPER LOOPER	FOR MO-6114D			1
65	11999307	LOWER LOOPER				1
66	11890001	TRAVELING NEEDLE GUARD				1
67	40004692	UPPER LOOPER SHAFT A	SELECTIVE PARTS			1
68	40004693	UPPER LOOPER SHAFT B	SELECTIVE PARTS			1
69	40004694	UPPER LOOPER SHAFT FRONT METAL	SELECTIVE PARTS			1

CHAIN LOOPER COMPONENTS (FOR MO-6116D)

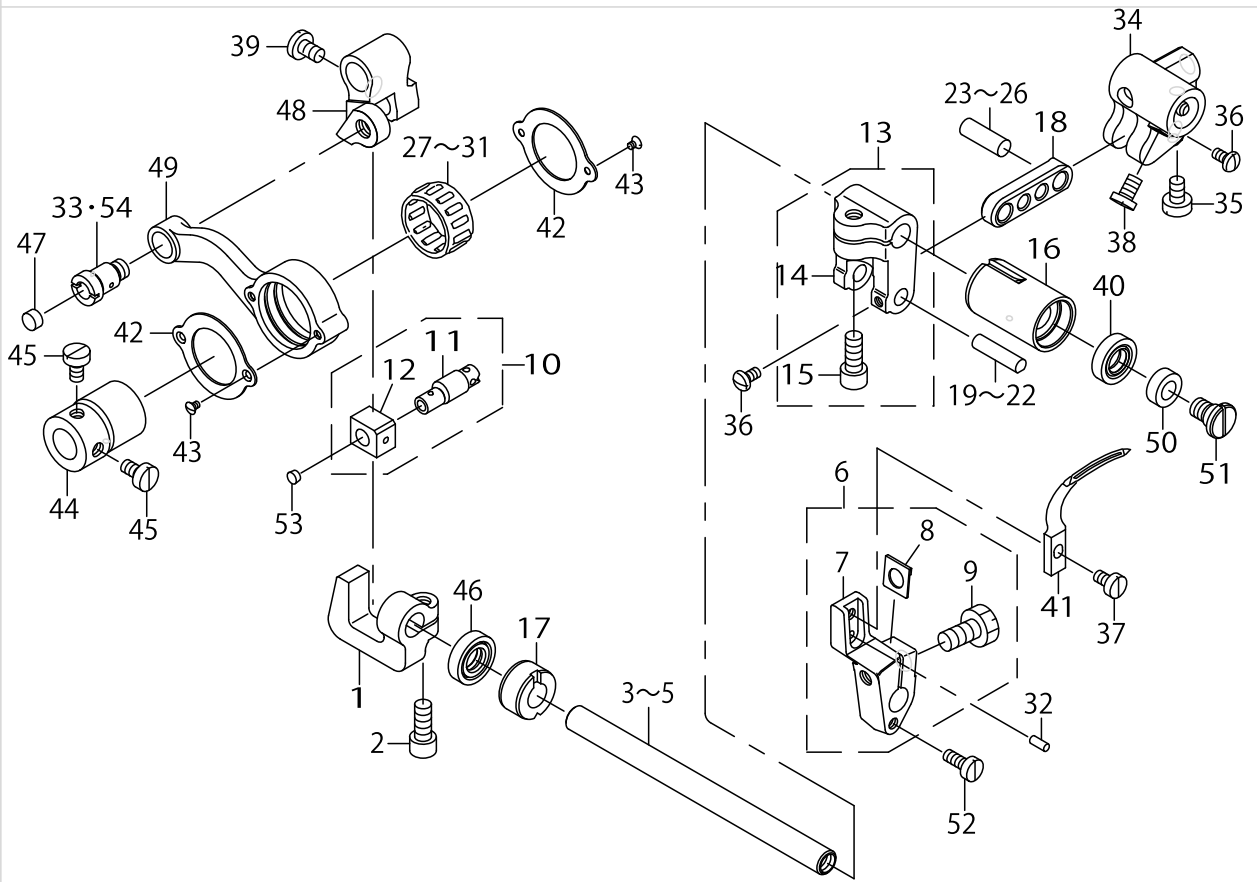


CHAIN LOOPER COMPONENTS (FOR MO-6116D)

No.	Parts No.	Parts name	Remarks	Level	Cons	Qty
1	40004665	BRACKET				1
2	SM6051202TP	SCREW M5X0.8 L=12				1
3	40004666	CHAIN SHAFT A	SELECTIVE PARTS			1
4	40004667	CHAIN SHAFT B	SELECTIVE PARTS			1
5	40004668	CHAIN SHAFT C	SELECTIVE PARTS			1
6	13129952	CHAIN LOOPER DRIVING ARM ASM.				1
7	13129903	CHAIN LOOPER DRIVING ARM		*		1
8	13129309	WASHER		*		1
9	SS9151210TP	SCREW 15/64-28 L=11.8		*		1
10	40004671	CHAIN SLIDE BLOCK PIN ASM.				1
11	40004672	CHAIN SHAFT SLIDE BLOCK PIN		*		1
12	40004674	CHAIN SLIDE BLOCK		*		1
13	13125950	CHAIN LOOPER DRIVING ARM ASM.				1
14	13125901	CHAIN LOOPER DRIVING ARM		*		1
15	SM6051202TP	SCREW M5X0.8 L=12		*		1
16	40004680	CHAIN SHAFT FRONT METAL				1
17	40004681	CHAIN SHAFT REAR METAL				1
18	13127105	CHAIN LOOPER SHAFT DRIV. LINK				1
19	13126503	PIN LONG A	SELECTIVE PARTS			1
20	13126602	PIN LONG B	SELECTIVE PARTS			1
21	13126701	PIN LONG C	SELECTIVE PARTS			1
22	13126800	PIN LONG D	SELECTIVE PARTS			1
23	13127204	PIN SHORT A	SELECTIVE PARTS			1
24	13127303	PIN SHORT B	SELECTIVE PARTS			1
25	13127402	PIN SHORT C	SELECTIVE PARTS			1
26	13127501	PIN SHORT D	SELECTIVE PARTS			1
27	B2119816A00	BEARING A	SELECTIVE PARTS			1
28	B2119816B00	BEARING B	SELECTIVE PARTS			1
29	B2119816C00	BEARING C	SELECTIVE PARTS			1
30	B2119816D00	BEARING D	SELECTIVE PARTS			1
31	B2119816E00	BEARING E	SELECTIVE PARTS			1
32	PS0250062KH	SPRING PIN 2.5X6				1
33	40004685	CHAIN ROD STEP-SCREW A	SELECTIVE PARTS			1
34	12121612	DRIVING BALL ARM BRACKET				1
35	SS6110710TP	SCREW 11/64-40 L=6.5				1
36	SS4080620TP	SCREW 1/8-44 L=6				2
37	SS6090620TP	SCREW				1
38	SS6110710TP	SCREW 11/64-40 L=6.5				2
39	SS7110720TP	SCREW 11/64-40 L=7				1
40	40004682	OIL SEAL				1
41	12120705	CHAIN LOOPER				1
42	40004676	CHAIN ROD COVER				2
43	SS2060320SP	SCREW 3/32-56 L=3.2				4
44	40004684	CHAIN CAM				1
45	SS6110710TP	SCREW 11/64-40 L=6.5				2
46	40004683	OIL SEAL				1
47	11806304	PLUG				1



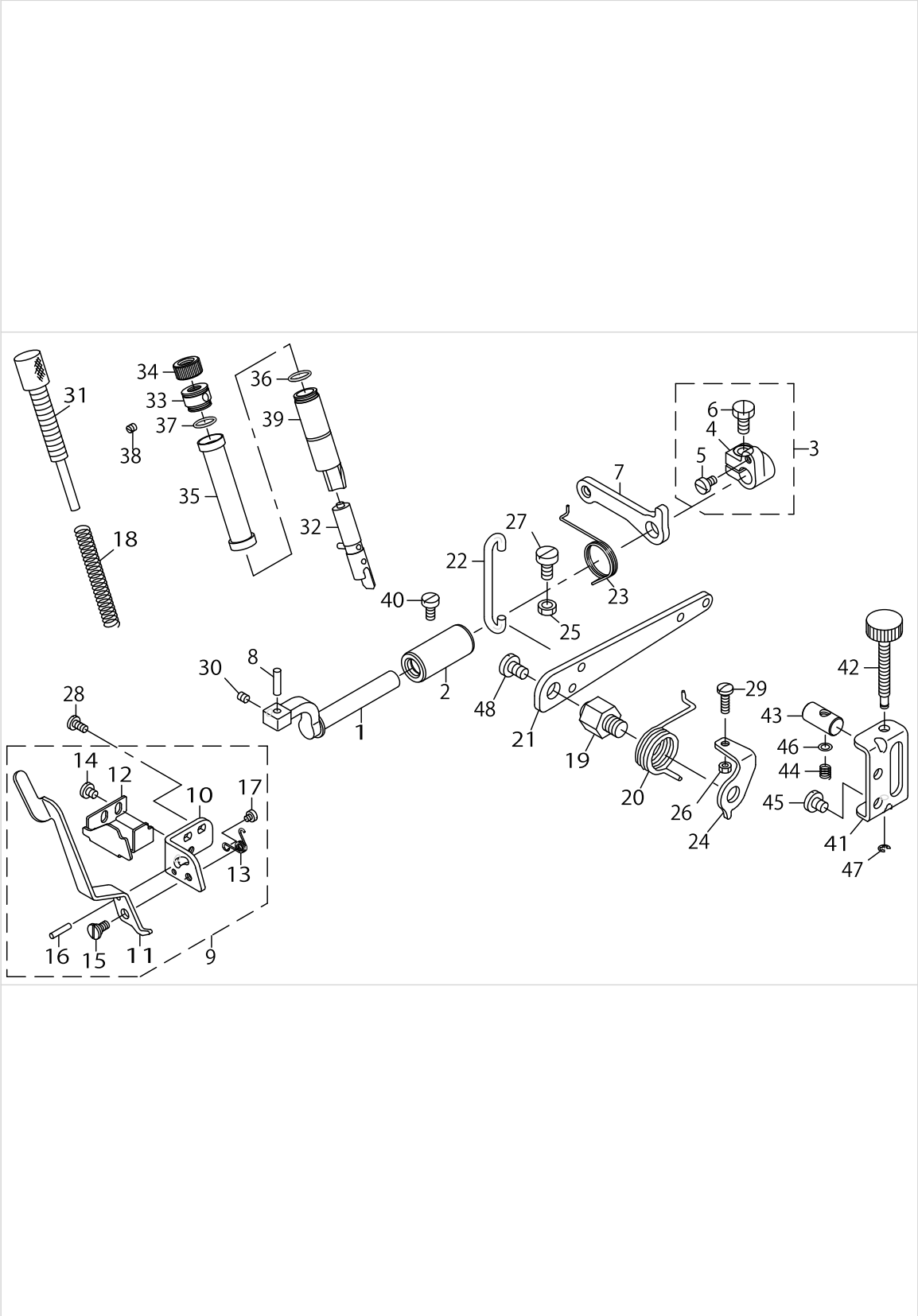
CHAIN LOOPER COMPONENTS (FOR MO-6116D)



CHAIN LOOPER COMPONENTS (FOR MO-6116D)

No.	Parts No.	Parts name	Remarks	Level	Cons	Qty
48	40004669	CHAIN FRONT-AND-REAR ARM				1
49	40004675	CHAIN ROD				1
50	13130109	ADJUSTING WASHER				1
51	SD0720332SP	HINGE SCREW D=7.24 H=3.3				1
52	SS6090920SP	SCREW				1
53	TA0340201R0	PLUG D=3.4X3.9 L=2				1
54	40004687	CHAIN ROD STEP-SCREW B	SELECTIVE PARTS			1

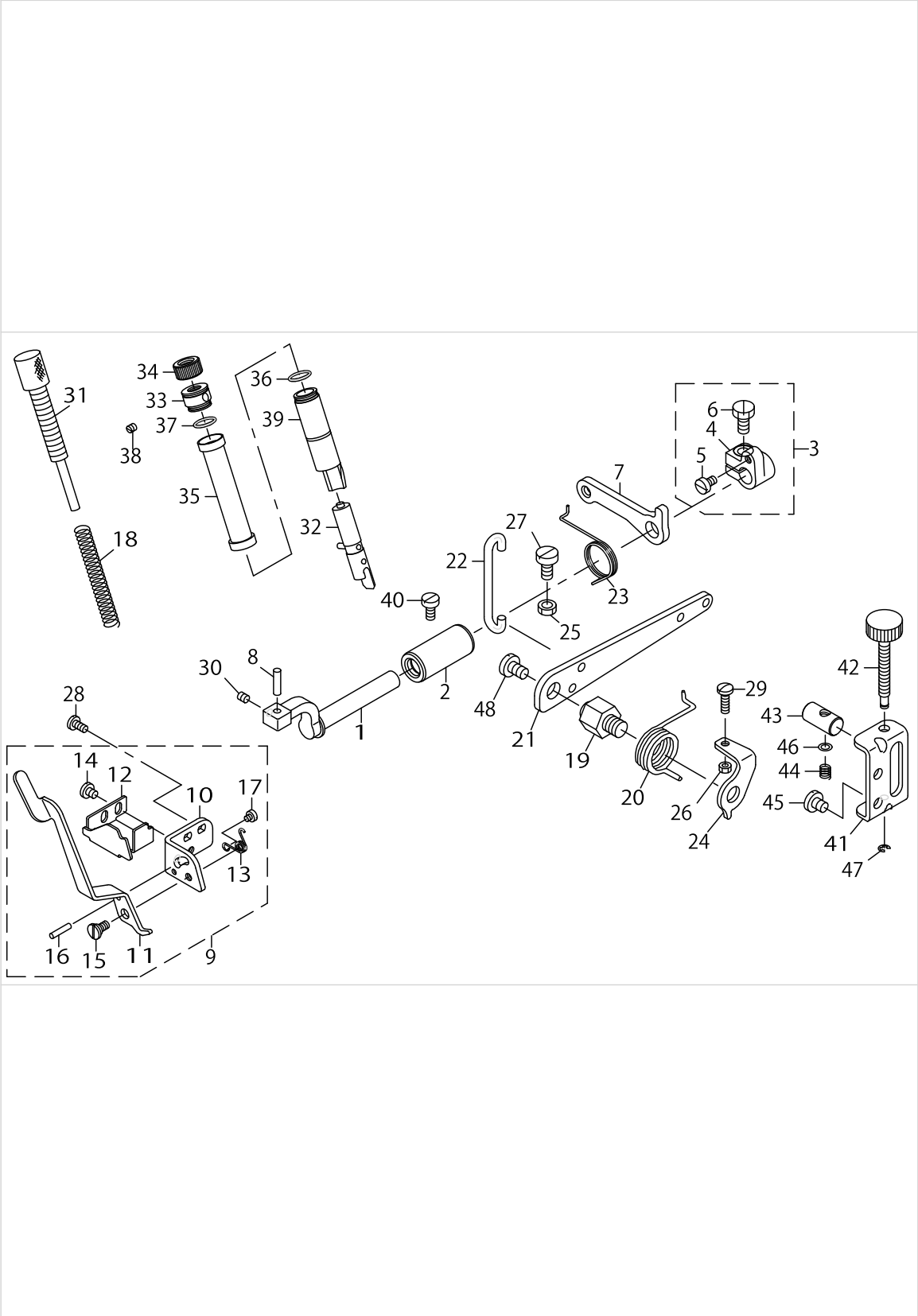
PRESSER FOOT COMPONENTS (1)



PRESSER FOOT COMPONENTS (1)

No.	Parts No.	Parts name	Remarks	Level	Cons	Qty
1	13115001	PRESSER FOOT SHAFT				1
2	13115100	PRESSER FOOT SHAFT BUSHING				1
3	13115258	THRUST ARM ASM.				1
4	13115209	THRUST ARM		*		1
5	SS6110710TP	SCREW 11/64-40 L=6.5		*		1
6	SS9151210TP	SCREW 15/64-28 L=11.8		*		1
7	13116801	LIFTING ARM				1
8	13115407	PRESSER FOOT ARM HINGE SHAFT				1
9	13115753	PRESSER LIFTING LEVER BASE ASM				1
10	13115803	PRESSER LIFTING LEVER BASE		*		1
11	13115902	PRESSER LIFTING LEVER		*		1
12	13116009	PRESSER ARM STOPPER		*		1
13	13116108	PRESSER FOOT LIFTING SPRING		*		1
14	SS7110510SP	SCREW 11/64-40 L=5		*		2
15	SD0640241SP	HINGE SCREW D=6.35 H=2.4		*		1
16	PS0300142KH	SPRING PIN 0.3X14		*		1
17	SS6080340SP	SCREW 1/8-44 L=2.9		*		1
18	13116207	PRESSER FOOT SPRING				1
19	13117007	PRESSER LIFTING LEVER SCREW				1
20	13116306	PRESSER LIFTING LEVER SPRING				1
21	13116900	PRESSER LIFTING LEVER				1
22	13116405	PRESSER LIFTING HOOK				1
23	13116504	LIFTING LEVER ARM SPRING				1
24	13116603	PRESSER LIFTING LEVER SPRING				1
25	NM6060003SC	NUT M6				1
26	NS6110420SP	NUT 11/64-40				1
27	SM6061200SP	SCREW M6 L=12				1
28	SS7110840SP	SCREW 11/64-40 L=7.8				2
29	SS7111410TP	SCREW 11/64-40 L=14				1
30	SM8050412TP	SCREW M5 L=4				1
31	13212600	PRESSER REGULATOR SCREW				1
32	13115654	PRESSER BAR ASM.				1
33	12288700	PRESSER REGULATOR SCREW WASHER				1
34	13117106	PRESSER REGULATOR NUT				1
35	13212709	PRESSER BAR COVER				1
36	13170402	RUBBER RING				2
37	13170402	RUBBER RING				1
38	SM8040402TP	SCREW M4X0.7 L=4				1
39	13212501	PRESSER BAR BUSHING				1
40	SS6121020SP	SCREW 3/16-28 L=9.5				1
41	13212808	ADJUSTING BASE				1
42	13213012	ADJUSTING SCREW				1
43	13212915	ADJUSTING BLOCK				1
44	13123302	ADJUSTING SPRING				1
45	SS7150740SP	SCREW 15/64-28 L=7				2
46	WP0460556SD	WASHER 4.6X7.5X0.5				1
47	RE0300000K0	E-RING 3				1

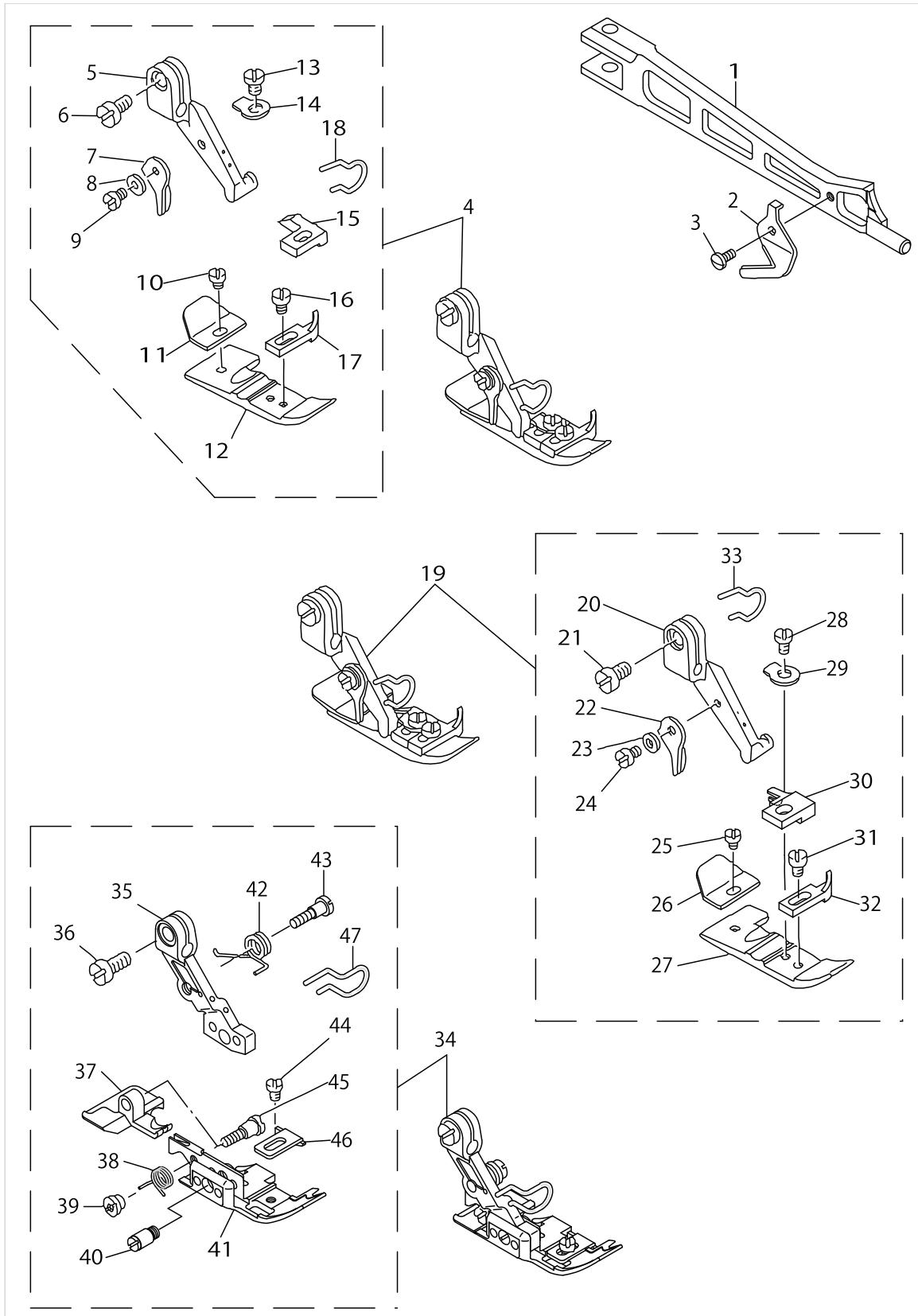
PRESSER FOOT COMPONENTS (1)



PRESSER FOOT COMPONENTS (1)

No.	Parts No.	Parts name	Remarks	Level	Cons	Qty
48	SS7161040SP	SCREW 1/4-24 L=9.5				1

PRESSER FOOT COMPONENTS (2)

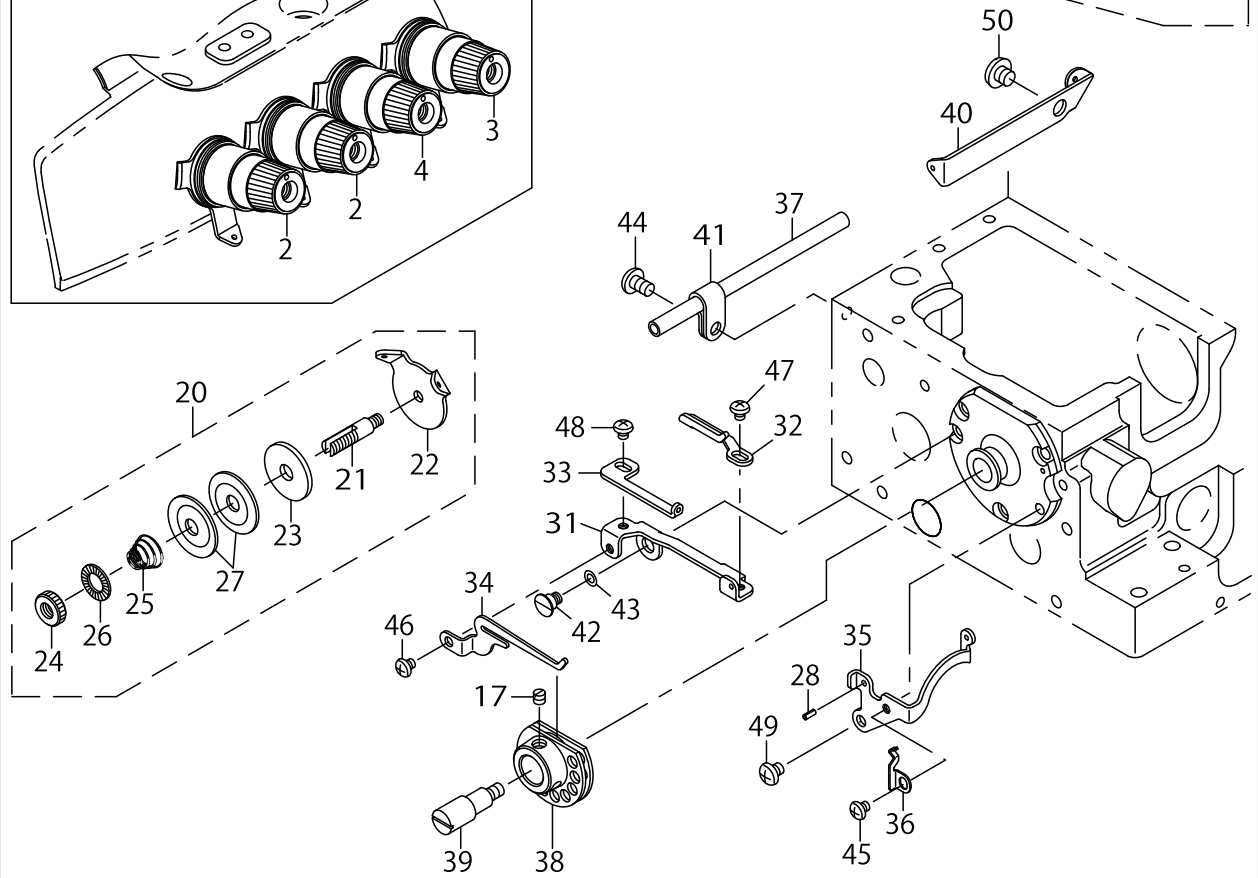
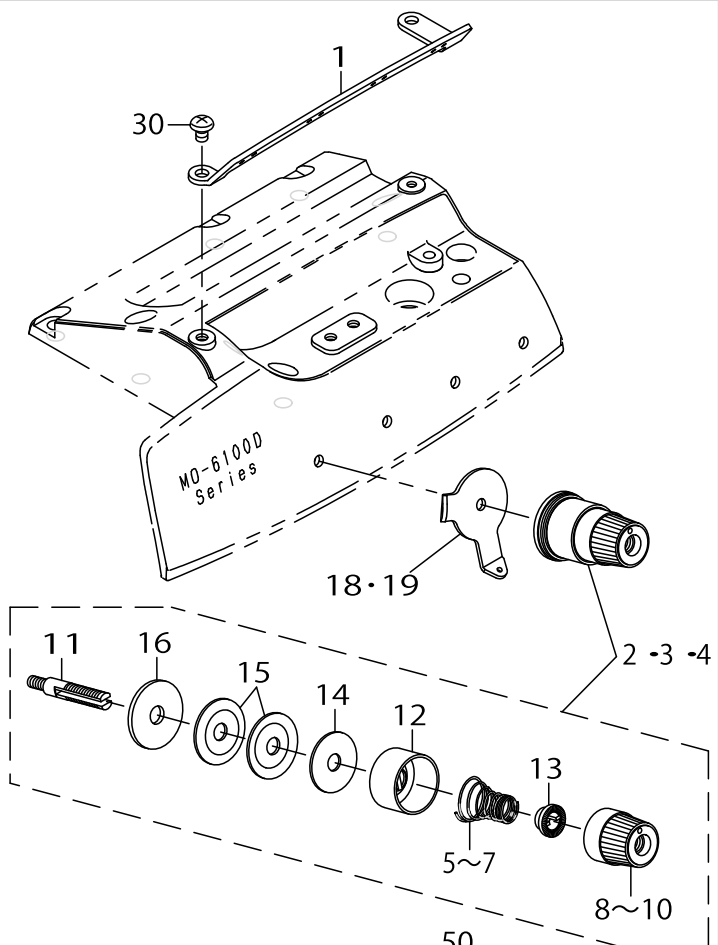
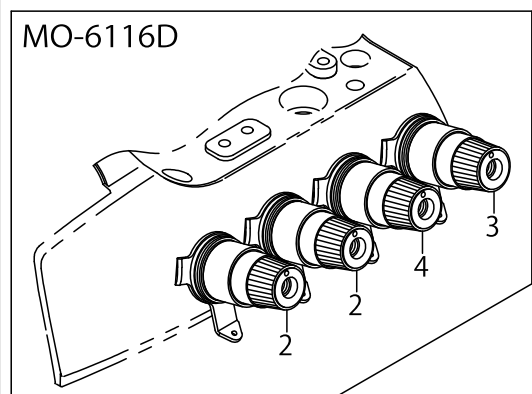
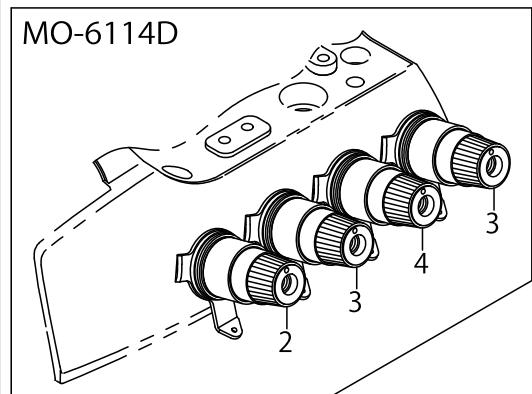
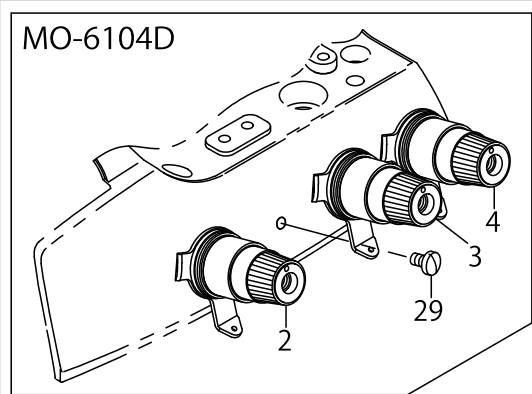


PRESSER FOOT COMPONENTS (2)

No.	Parts No.	Parts name	Remarks	Level	Cons	Qty
1	12253829	PURESSER FOOT ARM				1
2	13116702	THREAD TRIMMER				1
3	SS7060510SP	SCREW 3/32-56 L=4.8				1
4	11876158	PRESSER FOOT ASM.	FOR MO-6104D			1
5	11872009	PRESSER FOOT HINGE		*		1
6	SS6090650SP	SCREW 9/64-40 L=6		*		1
7	B1530804000	STOPPER		*		1
8	WP0250516SD	WASHER 2.5X6X0.5		*		1
9	SS7060610SP	SCREW 3/32-56 L= 5.5		*		1
10	SS6060210SP	SCREW 3/32-56 L=1.9		*		1
11	B1511814000	REAR PRESSER FOOT		*		1
12	B1507804C00	PRESSER FOOT		*		1
13	SS7080520SP	SCREW 1/8-44 L=4.9		*		1
14	B150880400B	SPRING		*		1
15	B1509804C00	STITCH TONGUE		*		1
16	SS6060440TP	SCREW 3/32-56 L=3.5		*		1
17	B1510814000	CURL GUARD		*		1
18	13178306	FINGER GUIDE		*		1
19	11876851	PRESSER FOOT ASM.	FOR MO-6114D			1
20	11872009	PRESSER FOOT HINGE		*		1
21	SS6090650SP	SCREW 9/64-40 L=6		*		1
22	B1530804000	STOPPER		*		1
23	WP0250516SD	WASHER 2.5X6X0.5		*		1
24	SS7060610SP	SCREW 3/32-56 L=5.5		*		1
25	SS6060210SP	SCREW 3/32-56 L=1.9		*		1
26	B1511814000	REAR PRESSER FOOT		*		1
27	B150781400P	PRESSER FOOT		*		1
28	SS7080520SP	SCREW 1/8-44 L=4.9		*		1
29	B150880400B	SPRING		*		1
30	B150981400P	STITCH TONGUE		*		1
31	SS6060440TP	SCREW 3/32-56 L=3.5		*		1
32	B1510814000	CURL GUARD		*		1
33	13178306	FINGER GUIDE		*		1
34	12153755	PRESSER FOOT ASM.	FOR MO-6116D			1
35	12156907	PRESSER FOOT HINGE		*		1
36	SS6090650SP	SCREW 9/64-40 L=6		*		1
37	12164802	REAR PRESSER FOOT		*		1
38	12167805	SPRING. FOR REAR PRESSER FOOT		*		1
39	B1513816000	NUT FOR REAR PRESSER FOOT		*		1
40	12167409	HINGE PIN		*		1
41	12162202	PRESSER FOOT		*		1
42	12167607	PRESSER FOOT ARM SPRING		*		1
43	B1514816000	SCREW		*		1
44	SS6060340SP	SCREW 3/32-56 L=2.5		*		1
45	12167508	HINGE SCREW		*		1
46	12167706	PRESSER FOOT		*		1
47	13178405	FINGER GUIDE		*		1



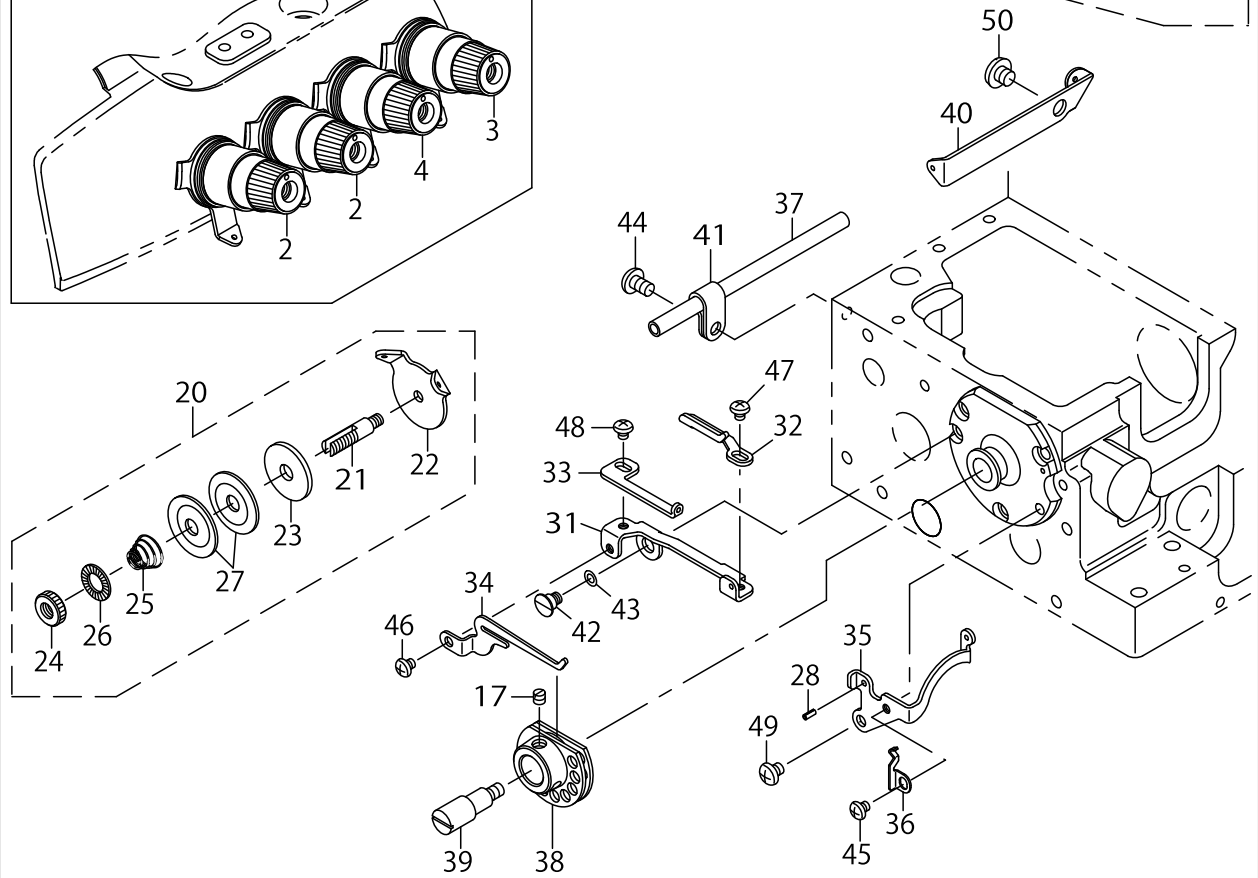
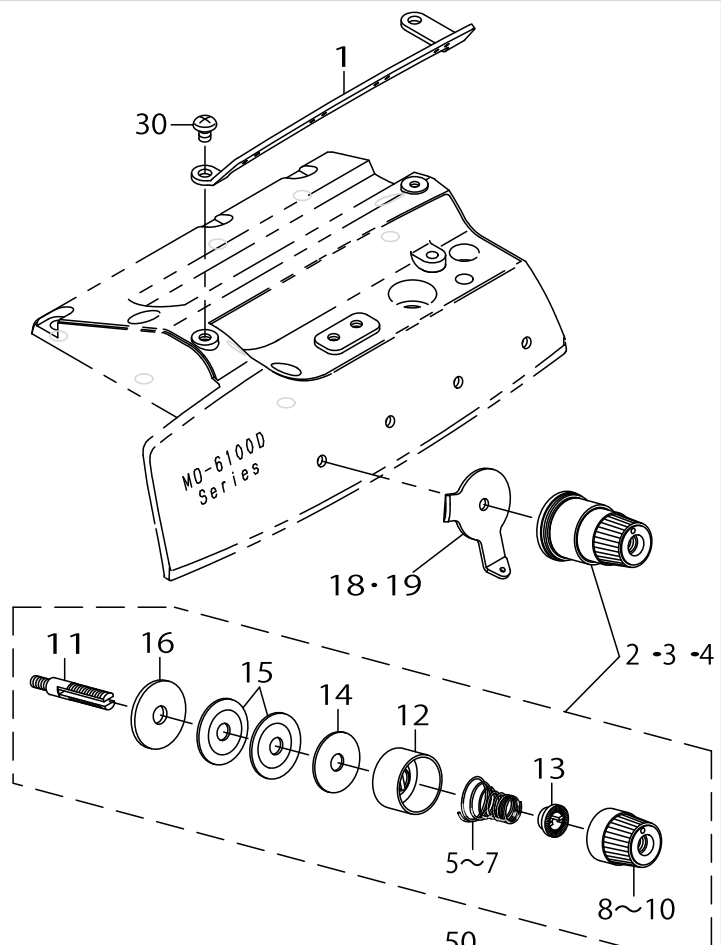
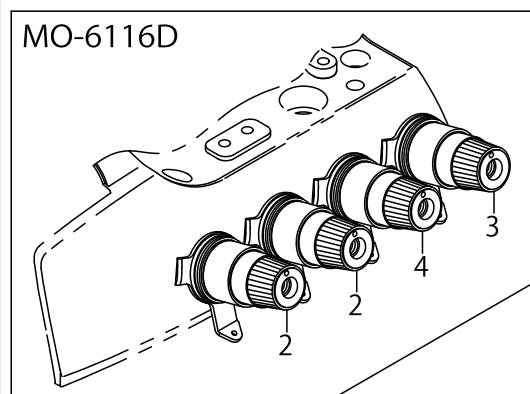
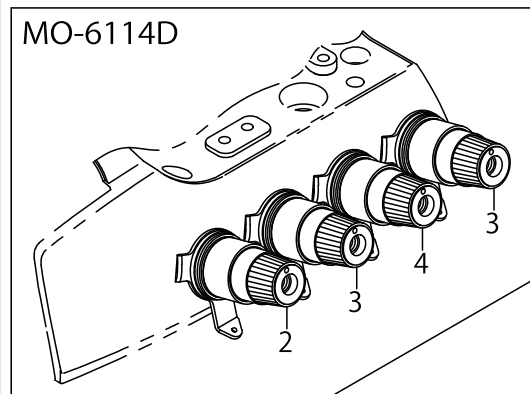
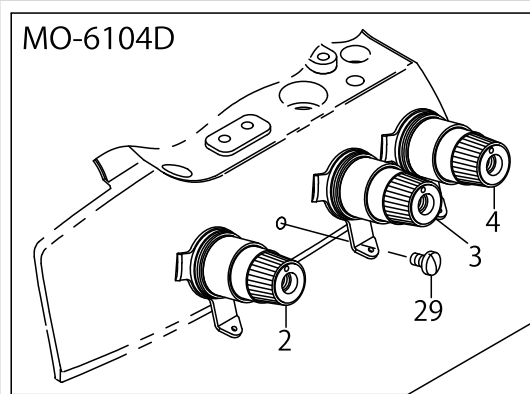
THREAD TENSION COMPONENTS



THREAD TENSION COMPONENTS

No.	Parts No.	Parts name	Remarks	Level	Cons	Qty
1	40004731	CENTER THREAD GUIDE				1
2	13137559	THREAD TENSION SPRING COMPL.	FOR MO-6116D(2 PC. ARE USED.)			1
3	13138359	THREAD TENSION SPRING COMPL.	FOR MO-6104D(1 PC. IS USED.) FOR MO-6114D(2 PC. ARE USED.)			1
4	13138656	THREAD TENSION SPRING COMPL.				1
5	13137807	THREAD TENSION SPRING RED		*		1
6	13138508	THREAD TENSION SPRING YELLOW		*		1
7	13138805	THREAD TENSION SPRING BLUE		*		1
8	13137708	THREAD TENSION KNOB RED		*		1
9	13138409	THREAD TENSION KNOB YELLOW		*		1
10	13138706	THREAD TENSION KNOB BLUE		*		1
11	13138904	THREAD TENSION BAR		*		1
12	13137609	THREAD TENSION DISK PRESSER		*		1
13	13137906	SPRING BUSHING		*		1
14	13138102	THREAD TENSION SPRING FELT		*		1
15	13138201	THREAD TENSION DISK		*		2
16	13138003	THREAD TENSION RUBBER WASHER		*		1
17	SS8110410TP	SCREW 11/64-40 L=3.5	FOR MO-6116D			2
18	13225107	TESION DISK THREAD GUIDE	FOR MO-6104D			3
19	13225107	TESION DISK THREAD GUIDE	FOR MO-6114D,MO-6116D			4
20	13139555	THREAD TENSION POST CONPL.	FOR MO-6116D			1
21	13140009	THREAD TENSION POST		*		1
22	13139605	TESION DISK THREAD GUIDE		*		1
23	13139902	THREAD TENSION SPRING FELT		*		1
24	13139803	THREAD TENSION NUT		*		1
25	13139704	THREAD TENSION SPRING		*		1
26	22921407	ROTATION STOPPER		*		1
27	13138201	THREAD TENSION DISK		*		2
28	PS0200052KH	SPRING PIN 2.3X5	FOR MO-6116D			1
29	SS7110710SL	SCREW 11/64-40 L=7.0	FOR MO-6104D			1
30	SS4110615SP	SCREW 11/64-40 L=6				2
31	13128202	THREAD CAM THREAD GUIDE BASE	FOR MO-6116D			1
32	13128301	THREAD CAM THREAD GUIDE A	FOR MO-6116D			1
33	13128400	THREAD CAM THREAD GUIDE B	FOR MO-6116D			1
34	13128509	LOWER THREAD CAM HOOK	FOR MO-6116D			1
35	13128608	LOWER THREAD GUIDE	FOR MO-6116D			1
36	13128707	THREAD GUIDE BASE SPRING	FOR MO-6116D			1
37	13128905	LOWER THREAD GUIDE TUBE	FOR MO-6116D			1
38	13129457	LOWER THREAD CAM COMPL.	FOR MO-6116D			1
39	13130000	LOWER THREAD CAM SHAFT	FOR MO-6116D			1
40	13129101	LOWER THREAD CONDUIT GUIDE	FOR MO-6116D			1
41	B3113352000	MOUNTING BRACKET	FOR MO-6116D			1
42	SD0600341TP	HINGE SCREW D=6.0 H=3.4	FOR MO-6116D			1
43	WZ0640312K0	WAVED WASHER	FOR MO-6116D			1
44	SM4050855SP	SCREW M5 L=8	FOR MO-6116D			1
45	SS4090415SP	SCREW 9/64-40 L=4	FOR MO-6116D			1

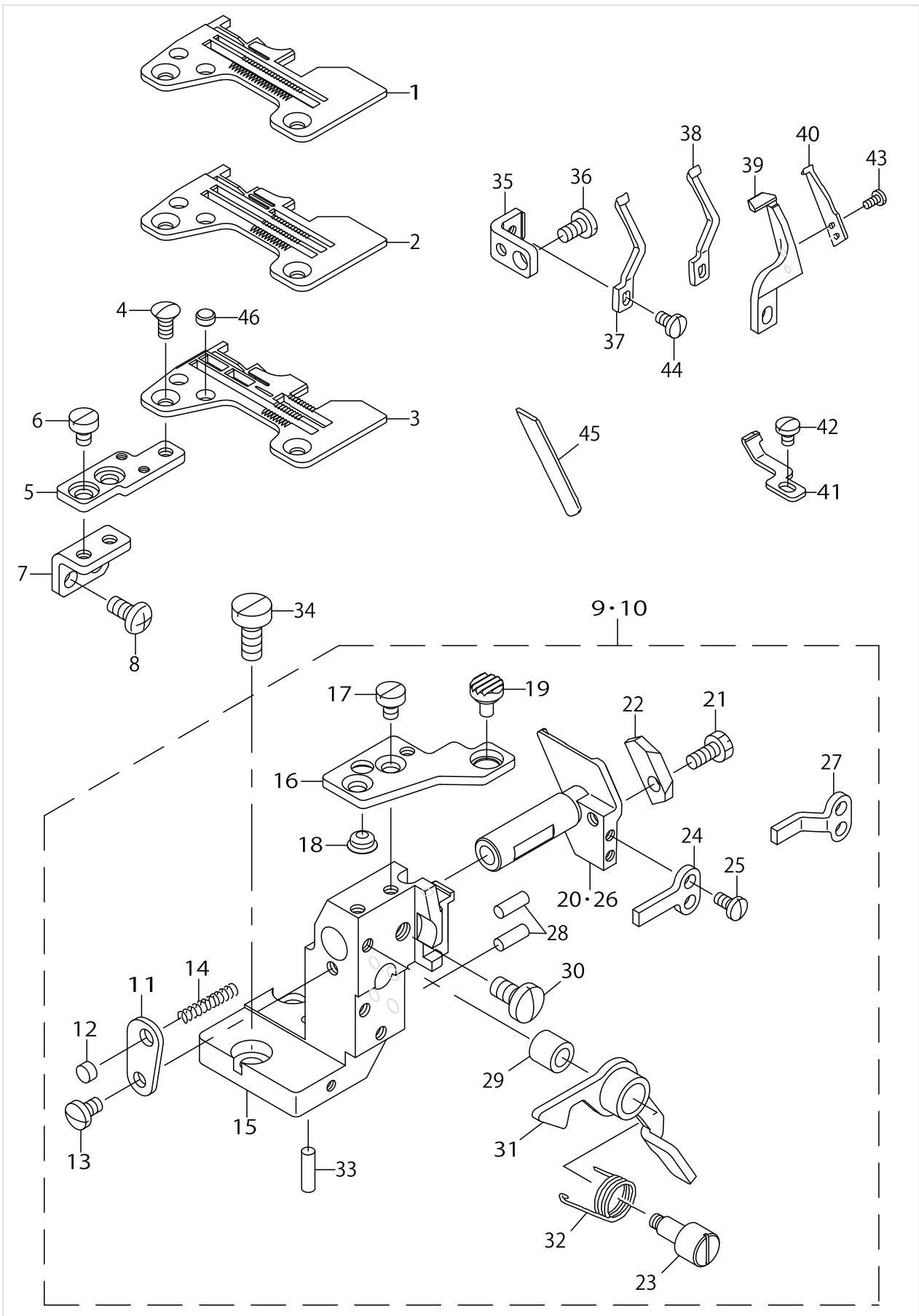
THREAD TENSION COMPONENTS



THREAD TENSION COMPONENTS

No.	Parts No.	Parts name	Remarks	Level	Cons	Qty
46	SS4090415SP	SCREW 9/64-40 L=4	FOR MO-6116D			1
47	SS4090415SP	SCREW 9/64-40 L=4	FOR MO-6116D			1
48	SS4090415SP	SCREW 9/64-40 L=4	FOR MO-6116D			1
49	SS4110515SP	SCREW 11/64-40 L=5	FOR MO-6116D			1
50	SS5150510SP	SCREW 15/64-28 L=5	FOR MO-6116D			1

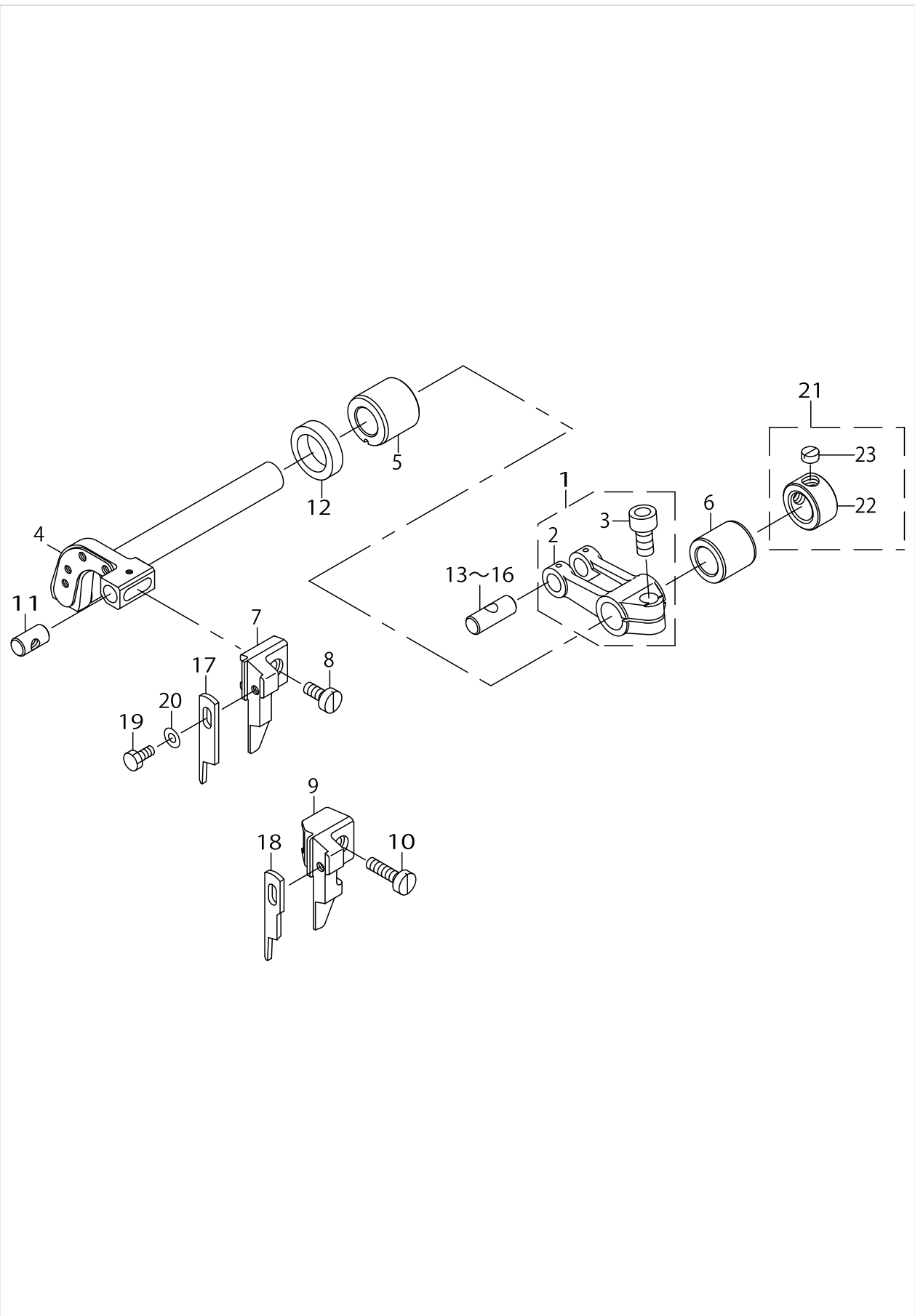
LOWER KNIFE COMPONENTS



LOWER KNIFE COMPONENTS

No.	Parts No.	Parts name	Remarks	Level	Cons	Qty
1	R4200J6ED00	THROAT PLATE	FOR MO-6104D			1
2	R4305J6EE00	THROAT PLATE	FOR MO-6114D			1
3	R4508J6ED00	THROAT PLATE	FOR MO-6116D			1
4	SS2110910SL	SCREW 11/64-40 L=9				2
5	13151204	THROAT PLATE BASE B				1
6	SS6110610TP	SCREW 11/64-40 L=6				2
7	12288908	THROAT PLATE BASE B SUPPORT				1
8	SM4051055SP	SCREW				2
9	13232657	LOWER KNIFE BRACKET ASM.	FOR MO-6104D,MO-6114D			1
10	13232756	LOWER KNIFE BRACKET ASM.	FOR MO-6116D			1
11	12133211	SPRING STOPPER		*		1
12	11806304	PLUG		*		1
13	SS7110720SP	SCREW 11/64-40 L=7		*		1
14	11846607	SPRING		*		1
15	12132619	LOWER KNIFE BRACKET		*		1
16	12102208	THROAT PLATE BASE A		*		1
17	SS6110610TP	SCREW 11/64-40 L=6		*		2
18	12103701	RUBBER PLUG B		*		1
19	13235304	RUBBER PLUG A		*		1
20	12132700	LOWER KNIFE SLIDE STUD	FOR MO-6104D,MO-6114D	*		1
21	SS9111010SP	SCREW 11/64-40 L=9.5		*		1
22	12133104	LOWER KNIFE PRESSER PLATE		*		1
23	12102810	LEVER SHAFT		*		1
24	12132908	ROTATING STOPPER	FOR MO-6104D,MO-6114D	*		1
25	SS7090710SP	SCREW 9/64-40 L=6.8		*		2
26	12132809	LOWER KNIFE SLIDE STUD	FOR MO-6116D	*		1
27	12133005	ROTATING STOPPER	FOR MO-6116D	*		1
28	12133708	HOLDER PIN		*		2
29	12103107	RUBBER PLUG		*		1
30	SS7151120SP	SCREW 15/64-28 L=11		*		1
31	12102950	LEVER ASM.		*		1
32	11802006	LEVER SPRING		*		1
33	11846805	HOLDER PIN		*		1
34	SS6151440SP	SCREW 15/64-28 L=14				2
35	13151105	NEEDLE HOLDER SUPPORT				1
36	SS7110840SP	SCREW 11/64-40 L=7.8				1
37	11890100	NEEDLE GUARD	FOR MO-6104D			1
38	11890308	NEEDLE GUARD	FOR MO-6114D			1
39	12015301	NEEDLE HOLDER	FOR MO-6116D			1
40	12015400	NEEDLE HOLDER	FOR MO-6116D			1
41	12177903	NEEDLE HOLDER	FOR MO-6116D			1
42	SS7090510SP	SCREW 9/64-40 L=4.6	FOR MO-6116D			1
43	SS7060510SP	SCREW 3/32-56 L=4.8	FOR MO-6116D			2
44	SS7090610SP	SCREW 9/64-40 L=6				1
45	13150701	LOWER KNIFE				1
46	13102702	THROAT PLATE COVER				2

UPPER KNIFE COMPONENTS

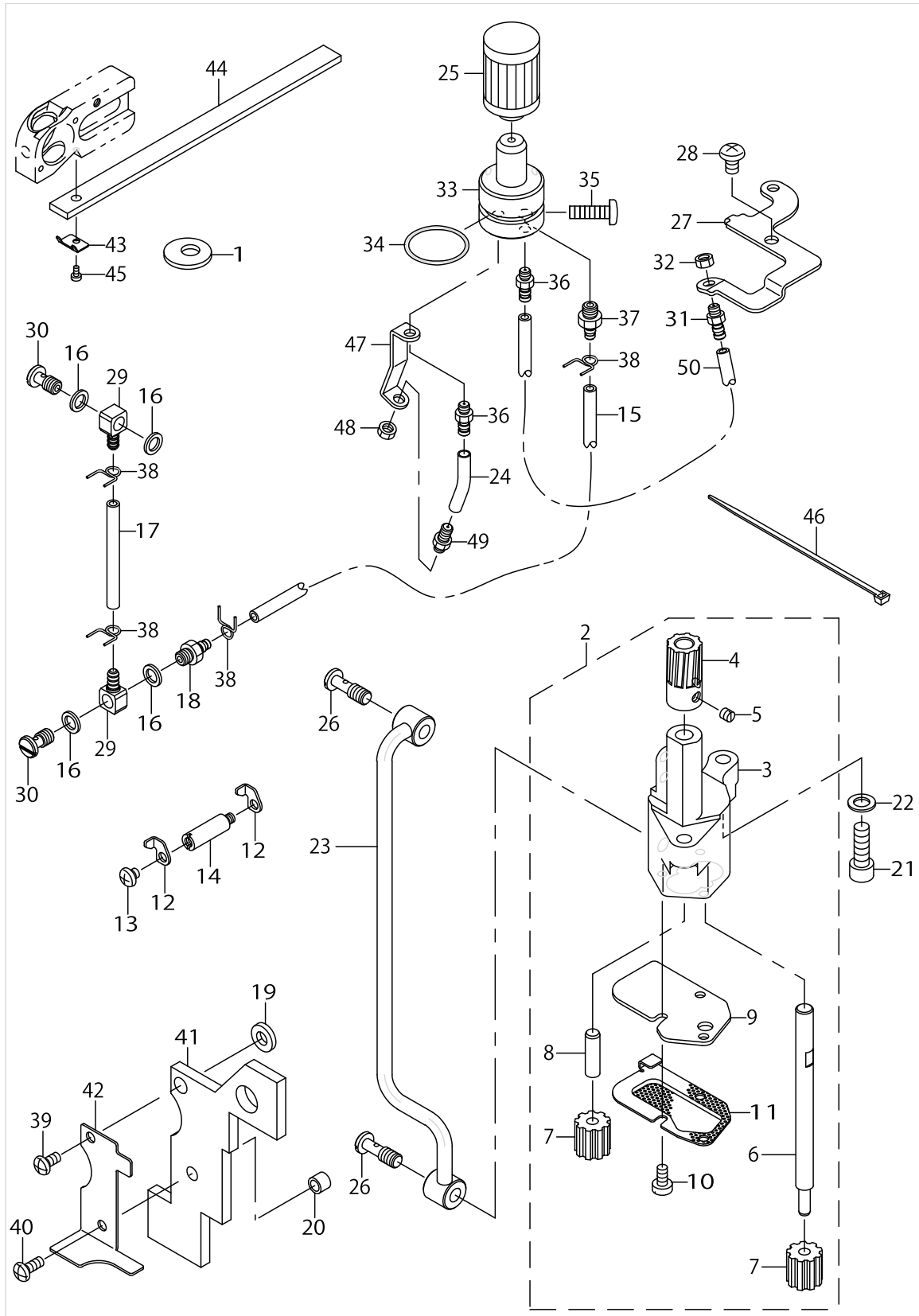


UPPER KNIFE COMPONENTS

No.	Parts No.	Parts name	Remarks	Level	Cons	Qty
1	13147558	FEED FORKED ARM ASM.				1
2	13147509	FEED FORKED ARM		*		1
3	SM6061402TP	SCREW M6 L=14		*		1
4	13151303	KNIFE DRIVING ARM SHAFT				1
5	13150909	BUSHING FRONT				1
6	13151006	BUSHING REAR				1
7	13147400	PLAIN KNIFE SUPPORT A	FOR MO-6104D,MO-6114D			1
8	SS6111040SP	SCREW 11/64-40 L=9.5	FOR MO-6104D,MO-6114D			1
9	13147301	PLAIN KNIFE SUPPORT	FOR MO-6116D			1
10	SS6111610SP	SCREW 11/64-40 L=16	FOR MO-6116D			1
11	13150800	UPPER KNIFE GUIDE SHAFT				1
12	11566809	OIL SEAL				1
13	13122007	CRANK PIN A	SELECTIVE PARTS			1
14	13122106	CRANK PIN B	SELECTIVE PARTS			1
15	13122205	CRANK PIN C	SELECTIVE PARTS			1
16	13122304	CRANK PIN D	SELECTIVE PARTS			1
17	13150503	PLAIN KNIFE	FOR MO-6104D,MO-6114D			1
18	13150602	PLAIN KNIFE	FOR MO-6116D			1
19	SS9090823TP	BOLT 9/64-40 L=8				1
20	WP0370316SD	WASHER 3.7X8X0.3				1
21	13172655	THRUST COLLAR ASM.				1
22	13172606	THRUST COLLAR		*		1
23	SS8660330SP	SCREW 1/4-40 L=3.0		*		2



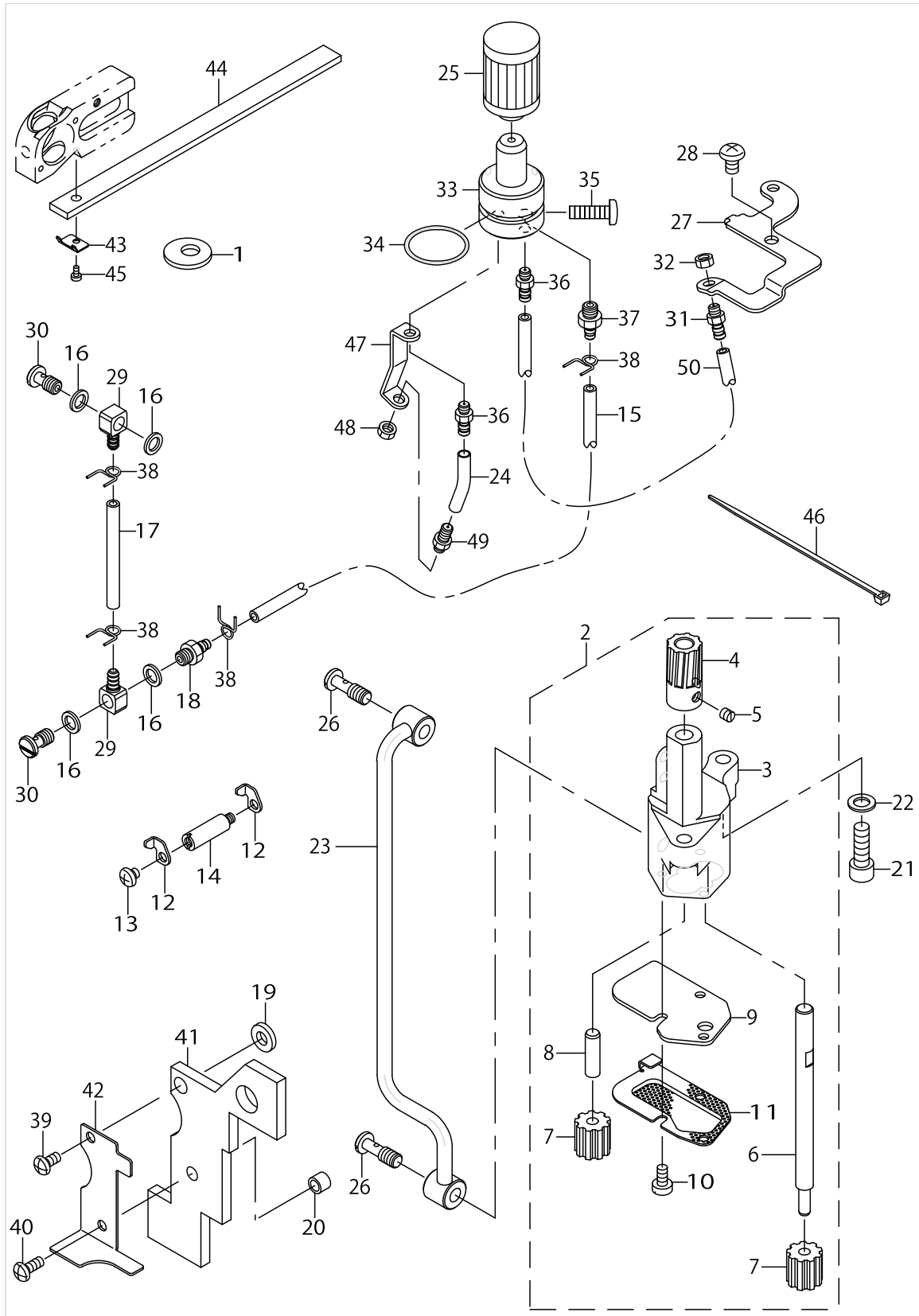
# LUBRICATION MECHANISM COMPONENTS



LUBRICATION MECHANISM COMPONENTS

No.	Parts No.	Parts name	Remarks	Level	Cons	Qty
1	40004750	UPPER LOOPER ROOM HOLE FELT				1
2	40024112	OIL PUMP COMPL.				1
3	40004738	LUBRICATION PUMP BODY		*		1
4	40004739	WORM GEAR		*		1
5	SS8110410TP	SCREW 11/64-40 L=3.5		*		2
6	40004740	LUBRICATION PUMP SHAFT (LARGE)		*		1
7	11840303	OIL PUMP PINION		*		2
8	11840402	GEAR PUMP SHAFT		*		1
9	40018264	PUMP COVER		*		1
10	SS6090810SP	SCREW 9/64-40 L=7.5		*		3
11	40018263	PUMP NET		*		1
12	13228903	OIL FELT PRESSER				2
13	31018005	SCREW				1
14	13229000	FELT PRESSER SPACER				1
15	BP30000010R	VINYL PIPE				0.25
16	40004749	GASCKET				4
17	BP30000010R	VINYL PIPE				0.05
18	SQ1150451MZ	CONNECTING SCREW				1
19	B3013141H0A	WASHER				1
20	B4122804000	ROLLER				1
21	SM6061802TP	SCREW M6 L=18				2
22	WP0651056SD	WASHER 6.5X11X1				2
23	40004743	LUBRICATION PIPE ASM.				1
24	BP30000010R	VINYL PIPE				0.03
25	13142500	CARTRIDGE FILTER				1
26	SQ1150454SD	CONNECTING SCREW				2
27	13143805	EXHAUST PORT SUPPORT				1
28	SM4050855SP	SCREW				1
29	SQ0000451MZ	CONNECTING SCREW				2
30	SQ1150441SD	CONNECTING SCREW				2
31	SQ1110451MZ	CONNECTING SCREW				1
32	NS6110310SP	NUT 11/64-40				1
33	13142955	FILTER GUIDE ASM.				1
34	13170808	RUBBER RING				1
35	SM4051601SC	SCREW M5X0.8 L=16				1
36	SQ1110451MZ	CONNECTING SCREW				2
37	SQ1150451MZ	CONNECTING SCREW				1
38	13142609	OIL TUBE HOLDER				4
39	SM4040855SP	SCREW				1
40	SM4041055SP	SCREW				1
41	40004748	NEEDLE LUBRICATION FELT				1
42	40004747	FELT PRESSER				1
43	13143607	OIL FELT PRESSER				1
44	40004746	UPPER LOOPER LUBRICATION FELT				1
45	SS6060440TP	SCREW 3/32-56 L=3.5				1
46	EA9500B0100	CABLE BAND				1
47	13229208	WORM EXHAUST PORT GUIDE				1

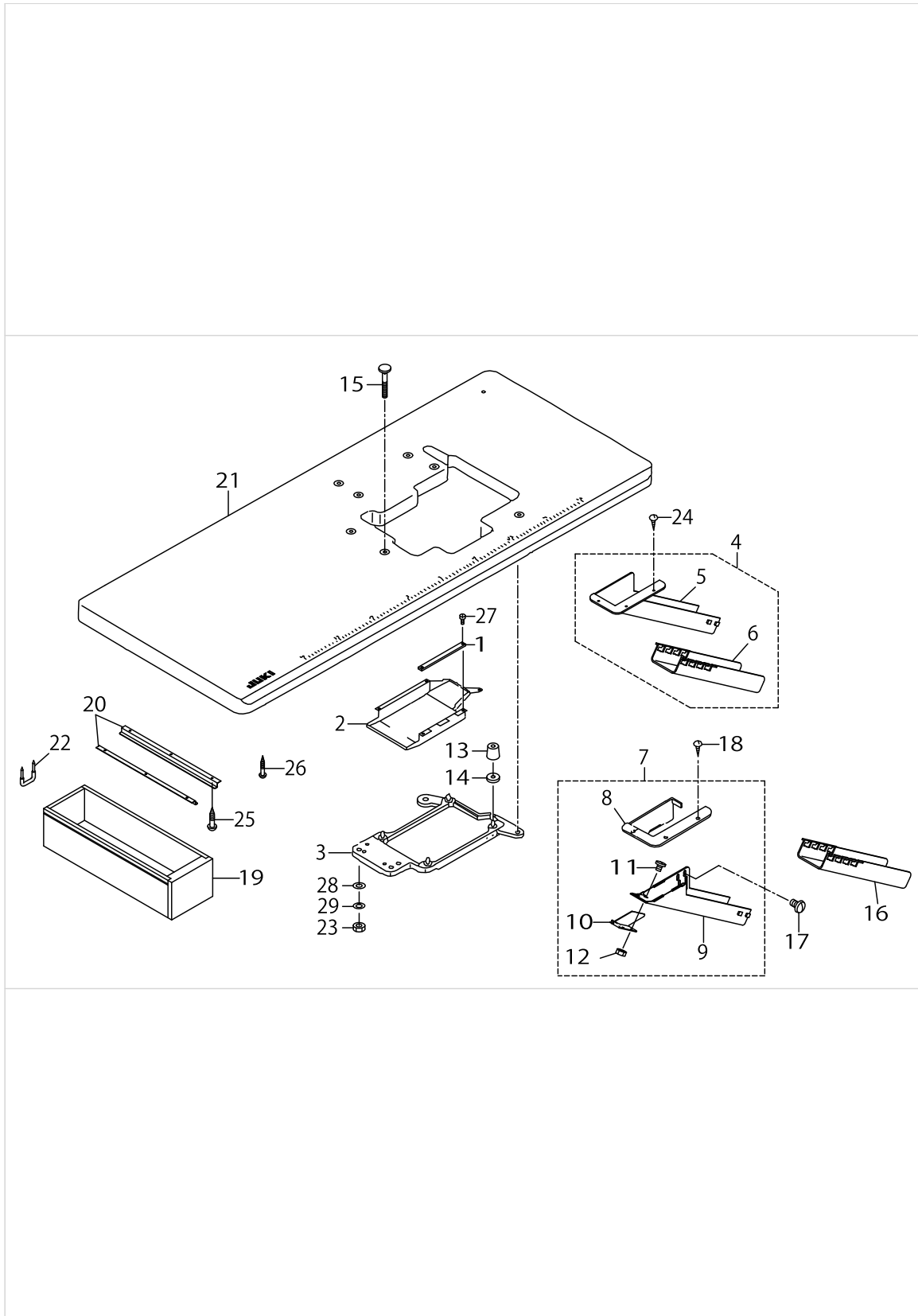
# LUBRICATION MECHANISM COMPONENTS



LUBRICATION MECHANISM COMPONENTS

No.	Parts No.	Parts name	Remarks	Level	Cons	Qty
48	NS6110310SP	NUT 11/64-40				1
49	SQ1110451MZ	CONNECTING SCREW				1
50	23630007	TUBE				0.17

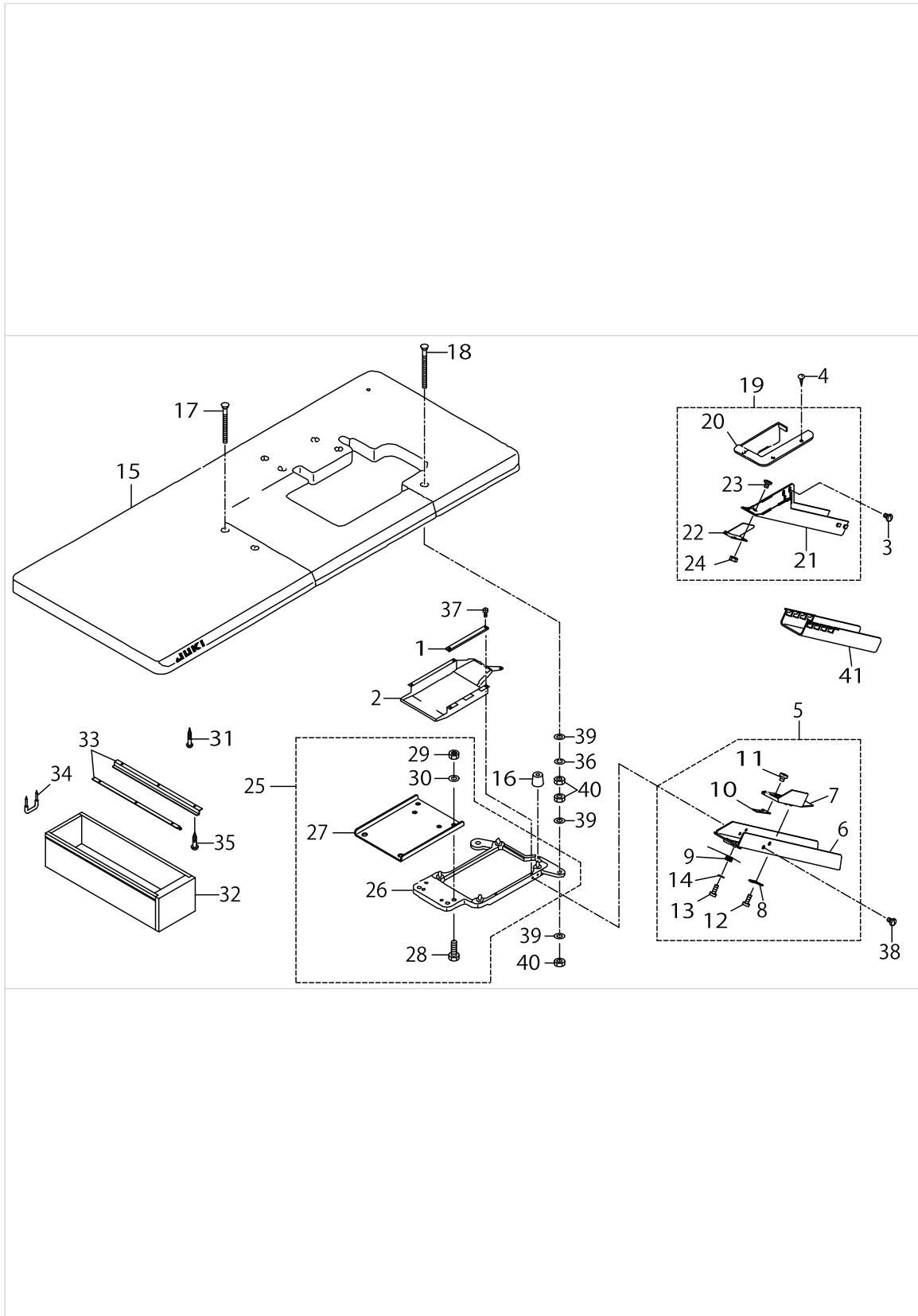
SEMI-SUNKEN TYPE TABLE COMPONENTS



SEMI-SUNKEN TYPE TABLE COMPONENTS

No.	Parts No.	Parts name	Remarks	Level	Cons	Qty
1	13161005	CASE SPONGE				1
2	13160908	VOOLING FAN CASE				1
3	13161153	FRAME SUPPORT PLATE ASM.				1
4	12341954	CLOTH WASTE CHUTE ASM.	EXCEPT JE			1
5	12341905	CLOTH WASTE CHUTE(SEMI-SUNKEN)		*		1
6	12341806	CLOTH WASTE CHUTE		*		1
7	13155759	CLOTH WASTE CHUTE ASM.	FOR JE			1
8	13155601	CLOTH WASTE CHUTE INLET		*		1
9	13155700	CLOTH WASTE CHUTE UPPER		*		1
10	13155502	CHUTE SUPPORT		*		1
11	SS5090610SP	SCREW 9/64-40 L=6		*		3
12	NS6090310SP	NUT 9/64-40		*		3
13	13155403	DUST-PROOF RUBBER				4
14	13156500	DUST-PROOF RUBBER SPACER				4
15	13155007	HOLDING PLATE BOLT				4
16	12341806	CLOTH WASTE CHUTE	FOR JE			1
17	SS5110710SP	SCREW 11/64-40 L=7	FOR JE			2
18	SK2351600SC	WOOD SCREW D=3.5 L=16	FOR JE			3
19	11155108	DRAWER				1
20	11155207	DRAWER SUPPORT				2
21	11959400	TABLE (SEMI-SUNKEN)				1
22	D8204555D00	DRAWER STOPPER				1
23	NS6240630SE	NUT 3/8-18				4
24	SK2351600SC	WOOD SCREW D=3.5 L=16	EXCEPT JE			3
25	SK3311500SC	WOOD SCREW D=3.1 L=15				6
26	SK3513200SC	WOOD SCREW D=5.1 L=32				4
27	SS6090630TP	SCREW 9/64-40 L=6				5
28	WP1002036SE	WASHER 10X21X2				4
29	WS1002560KR	SPRING WASHER 10X18X2.5				4

FULLY-SUNKEN TYPE TABLE COMPONENTS

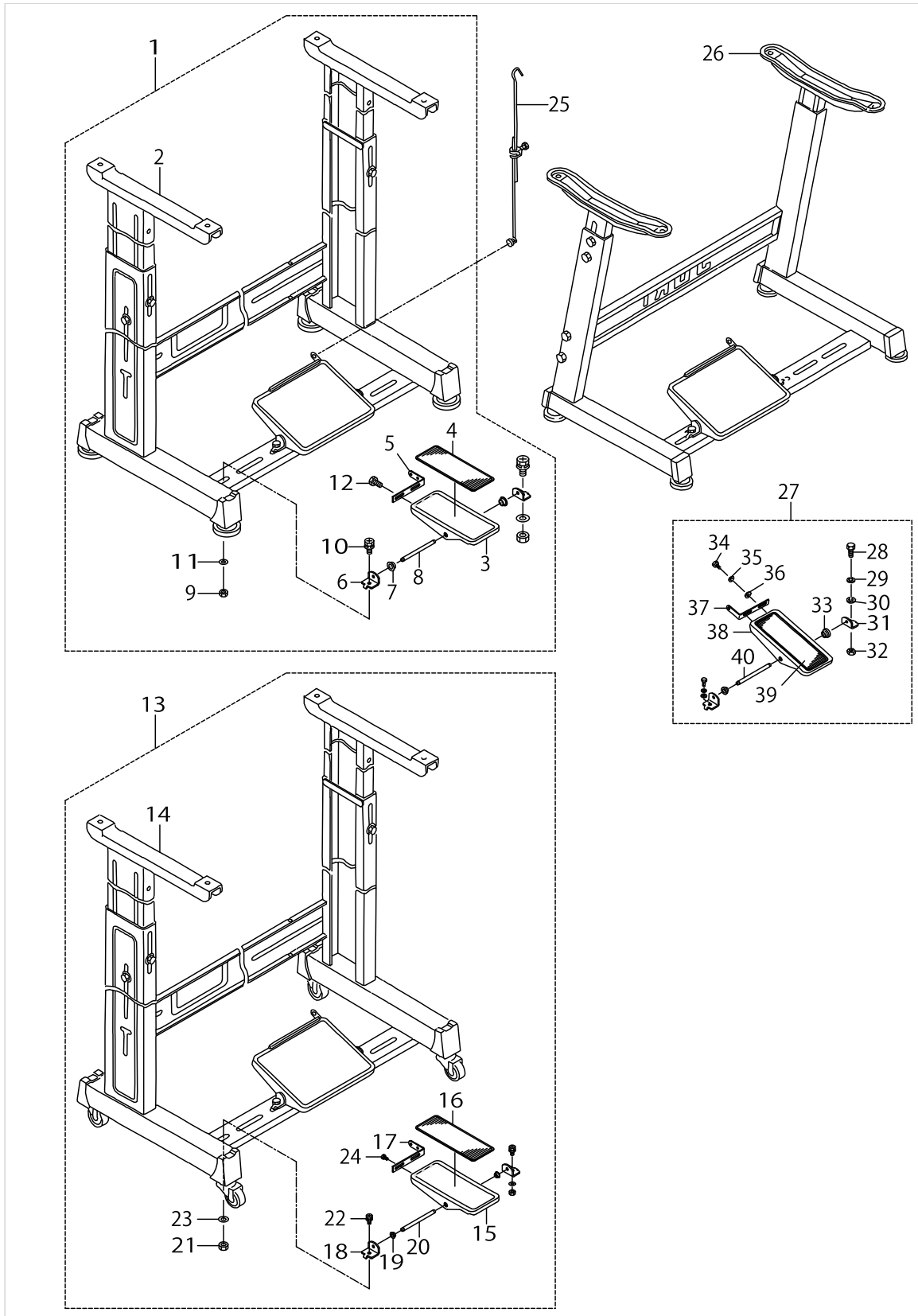


FULLY-SUNKEN TYPE TABLE COMPONENTS

No.	Parts No.	Parts name	Remarks	Level	Cons	Qty
1	13161005	CASE SPONGE				1
2	13160908	COOLING FAN CASE				1
3	SS5110710SP	SCREW 11/64-40 L=7	FOR JE			2
4	SK2351600SC	WOOD SCREW D=3.5 L=16	FOR JE			3
5	13155858	CLOTH WASTE CHUTE ASM.	EXCEPT JE			1
6	13156203	CLOTH WASTE CHUTE		*		1
7	13156302	CLOTH WASTE CHUTE INLET		*		1
8	13155908	CHUTE INLET LEVER		*		1
9	13156005	CHUTE INLET SPRING		*		1
10	13156104	CHUTE INLET RUBBER		*		1
11	SS6090420SP	SCREW 9/64-40 L=4.0		*		2
12	ST60308210A	SCREW D=3-24 L=8		*		2
13	ST60308210A	SCREW D=3-24 L=8		*		1
14	WP0370316SD	WASHER 3.7X8X0.3		*		1
15	11959558	TABLE ASM.				1
16	13155403	DUST-PROOF RUBBER				4
17	13155106	HOLDING PLATE BOLT C				2
18	13155205	HOLDING PLATE BOLT D				2
19	13155759	CLOTH WASTE CHUTE ASM.	FOR JE			1
20	13155601	CLOTH WASTE CHUTE INLET		*		1
21	13155700	CLOTH WASTE CHUTE UPPER		*		1
22	13155502	CHUTE SUPPORT		*		1
23	SS5090610SP	SCREW 9/64-40 L=6		*		3
24	NS6090310SP	NUT 9/64-40		*		3
25	11849379	FRAME SUPPORT PLATE ASM.				1
26	11849361	FRAME SUPPORT PLATE ASM.		*		1
27	13155304	FRAME HOLDING PLATE COUPLING		*		1
28	SM9082513CF	SCREW M8 L=25		*		4
29	NM6080600SM	NUT M8		*		4
30	WP0850002SC	WASHER 8.5X18X1.6		*		4
31	SK3513200SC	WOOD SCREW D=5.1 L=32				4
32	11155108	DRAWER				1
33	11155207	DRAWER SUPPORT				2
34	D8204555D00	DRAWER STOPPER				1
35	SK3311500SC	WOOD SCREW D=3.1 L=15				6
36	WS1002560KR	SPRING WASHER 10X18X2.5				4
37	SS6090630TP	SCREW 9/64-40 L=6				5
38	SS5110710SP	SCREW 11/64-40 L=7	EXCEPT JE			2
39	WP1002036SE	WASHER 10X21X2				12
40	NS6240630SE	NUT 3/8-18				12
41	12341806	CLOTH WASTE CHUTE	FOR JE			1



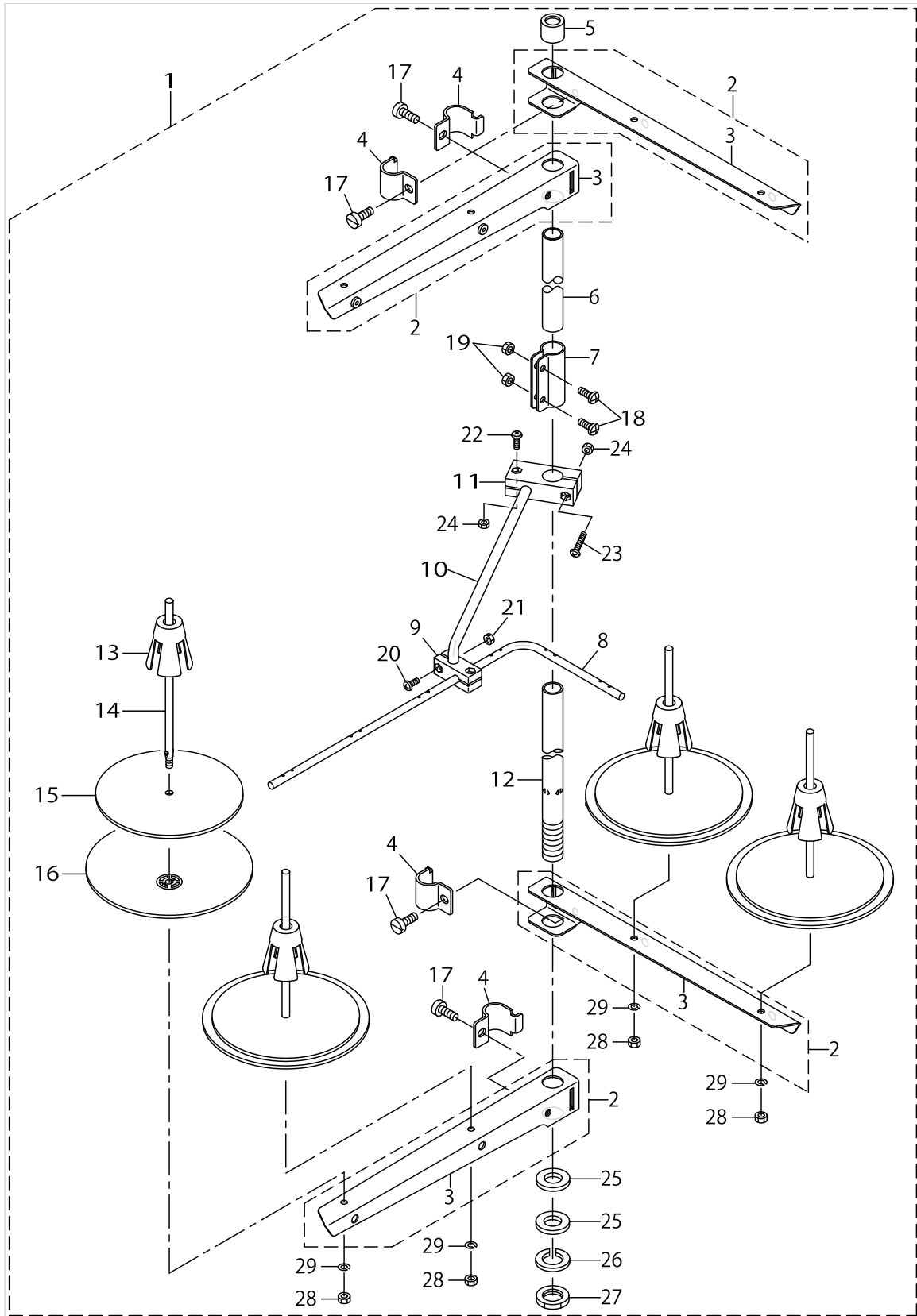
STAND COMPONENTS (ZAET)



STAND COMPONENTS (ZAET)

No.	Parts No.	Parts name	Remarks	Level	Cons	Qty
1	11960655	T STAND JUNCTION				1
2	11157567	T LEG JUNCTION		*		1
3	GPF06060000	PEDAL		*		1
4	GPF06070000	PEDAL MAT		*		1
5	GPF06080000	PEDAL ADJUSTING PLATE		*		1
6	11159001	PEDAL SHAFT BRACKET		*		2
7	D8113555B00	PEDAL BUSHING		*		2
8	B8153771000	PEDAL CONNECTING ROD		*		1
9	NM6080001SE	NUT M8		*		2
10	SL9082091SE	WASHER HEXAGONAL BOLT		*		2
11	WP0871602SE	WASHER 8.7X18X1.6		*		2
12	SL9061291SE	WASHER HEXAGONAL BOLT M6 L=12		*		2
13	11960754	T STAND JUNCTION(WITHCASTER)				1
14	11159365	T STAND JUNCTION		*		1
15	GPF06060000	PEDAL		*		1
16	GPF06070000	PEDAL MAT		*		1
17	GPF06080000	PEDAL ADJUSTING PLATE		*		1
18	11159001	PEDAL SHAFT BRACKET		*		2
19	D8113555B00	PEDAL BUSHING		*		2
20	B8153771000	PEDAL CONNECTING ROD		*		1
21	NM6080001SE	NUT M8		*		2
22	SL9082091SE	WASHER HEXAGONAL BOLT		*		2
23	WP0871602SE	WASHER 8.7X18X1.6		*		2
24	SL9061291SE	WASHER HEXAGONAL BOLT M6 L=12		*		2
25	B71140120A0	MOTOR CONNECTING ROD ASM.				1
26	11151065	Z LEG JUNCTION (B)				1
27	B81517710A0	PEDAL ASM.				1
28	SM9082023SE	SCREW M8 L=20		*		2
29	WS0861410KR	SPRING WASHER 8.6X15X1.4		*		2
30	WP0871602SE	WASHER 8.7X18X1.6		*		4
31	11151909	PEDAL SHAFT BRACKET		*		2
32	NM6080721SE	NUT M8		*		2
33	D8113555B00	PEDAL BUSHING		*		2
34	SM9061203SE	SCREW M6 L=12		*		2
35	WS0621210KR	SPRING WASHER 6.2X11.4X1.2		*		2
36	WP0671016SE	WASHER 6.7X13X1		*		2
37	11246600	PEDAL ADJUSTING PLATE		*		1
38	11246501	PEDAL		*		1
39	B8152771000	PEDAL MAT		*		1
40	B8153771000	PEDAL CONNECTING ROD		*		1

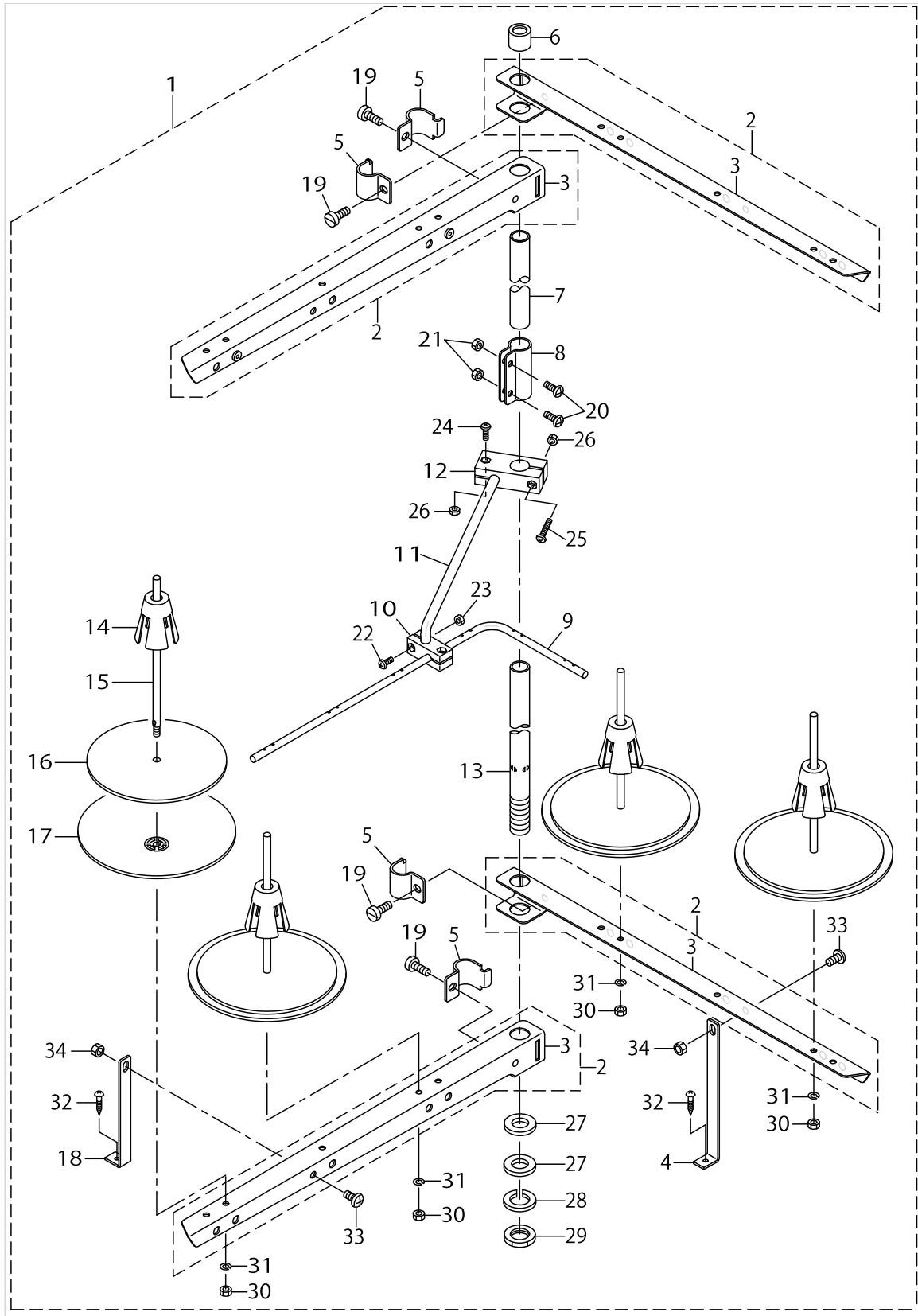
THREAD STAND COMPONENTS (FOR MO-6104D,MO-6114D)



THREAD STAND COMPONENTS (FOR MO-6104D,MO-6114D)

No.	Parts No.	Parts name	Remarks	Level	Cons	Qty
1	13167556	THREAD STANDING DEVICE ASM.				1
2	22930556	SPOOL REST ARM ASM.		*		4
3	22930507	SPOOL REST ARM		*		1
4	22930705	THREAD GUIDE ARM JOINT		*		4
5	22931406	THREAD STANDING ROD RUBBER CAP		*		1
6	22930408	THREAD STANDING ROD UPPER		*		1
7	22931307	THREAD STANDING ROD JOINT		*		1
8	13167903	THREAD STANDING THREAD GUIDE		*		1
9	13168000	THREAD STANDING GUIDE BASE		*		1
10	13168109	THREAD STANDING GUIDE ARM		*		1
11	13168208	THREAD STANDING GUIDE ARM BASE		*		1
12	22930309	THREAD STANDING ROD LOWER		*		1
13	22931109	SPOOL RETAINER		*		4
14	22931000	SPOOL PIN		*		4
15	22930903	SPOOL REST CUSHION		*		4
16	22930804	SPOOL REST		*		4
17	SM6061610SC	SCREW M6 L=16		*		4
18	SM4051405SE	SCREW M5 L=14		*		2
19	NM6050001SE	NUT M5		*		2
20	SM4041001SC	SCREW M4X0.7 L=10		*		2
21	NM6040002SE	NUT M4X0.7		*		2
22	SM4041201SC	SCREW M4 L=12		*		1
23	SM4042001SC	SCREW M4X20		*		1
24	NM6040002SE	NUT M4X0.7		*		2
25	WP1612616SE	WASHER 16X30X2.6		*		2
26	WS1643202KR	SPRING WASHER		*		1
27	NM6160511SE	NUT M16X1.5		*		1
28	NM6050001SE	NUT M5		*		4
29	WS0510002KN	SPRING WASHER		*		4

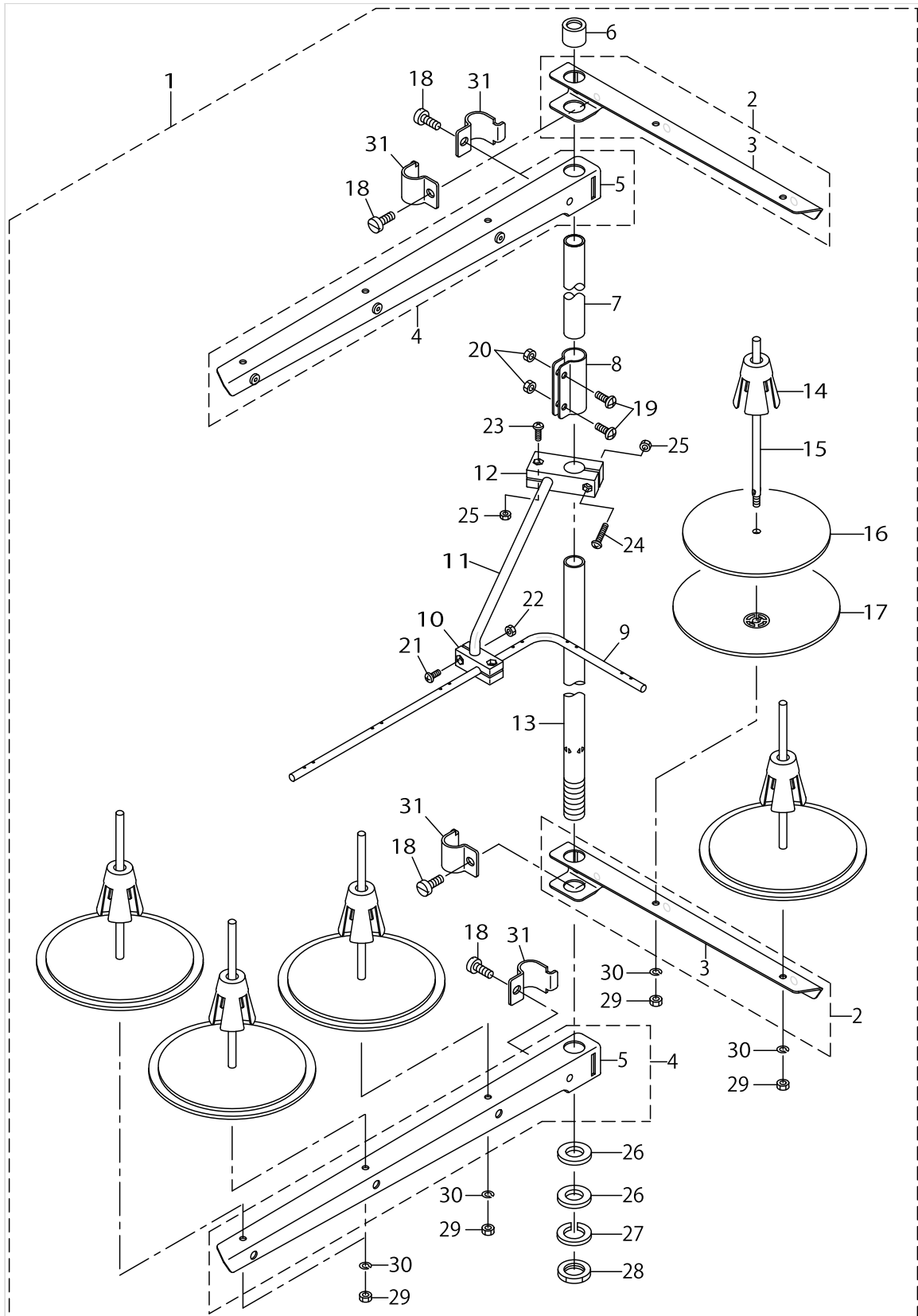
THREAD STAND COMPONENTS (MO-6104D,MO-6114D SPECIAL ORDER PARTS)



THREAD STAND COMPONENTS (MO-6104D,MO-6114D SPECIAL ORDER PARTS)

No.	Parts No.	Parts name	Remarks	Level	Cons	Qty
1	13167754	THREAD STANDING DEVICE ASM.				1
2	13168851	THREAD STANDING ARM ASM. LONG		*		4
3	13168802	THREAD STANDING ARM LONG		*		1
4	13168505	THREAD GUIDE ARM B		*		1
5	22930705	THREAD GUIDE ARM JOINT		*		4
6	22931406	THREAD STANDING ROD RUBBER CAP		*		1
7	22930408	THREAD STANDING ROD UPPER		*		1
8	22931307	THREAD STANDING ROD JOINT		*		1
9	13167903	THREAD GUIDE		*		1
10	13168000	THREAD GUIDE BASE LOWER		*		1
11	13168109	THREAD GUIDE ARM		*		1
12	13168208	THREAD GUIDE ARM BASE		*		1
13	22930309	THREAD STANDING ROD LOWER		*		1
14	22931109	SPOOL RETAINER		*		4
15	22931000	SPOOL PIN		*		4
16	22930903	SPOOL REST CUSHION		*		4
17	22930804	SPOOL REST		*		4
18	13168406	THREAD STANDING ARM SUPPORT A		*		1
19	SM6061610SC	SCREW M6 L=16		*		4
20	SM4051405SE	SCREW M5 L=14		*		2
21	NM6050001SE	NUT M5		*		2
22	SM4041001SC	SCREW M4X0.7 L=10		*		2
23	NM6040002SE	NUT M4X0.7		*		2
24	SM4041201SC	SCREW M4 L=12		*		1
25	SM4042001SC	SCREW M4X20		*		1
26	NM6040002SE	NUT M4X0.7		*		2
27	WP1612616SE	WASHER 16X30X2.6		*		2
28	WS1643202KR	SPRING WASHER		*		1
29	NM6160511SE	NUT M16X1.5		*		1
30	NM6050001SE	NUT M5		*		4
31	WS0510002KN	SPRING WASHER		*		4
32	SK3382001SE	SCREW D=3.8 L=20		*		2
33	SM4061201SE	SCREW M6 L=12		*		2
34	NM6060001SE	NUT M6		*		2

THREAD STAND COMPONENTS (FOR MO-6116D)

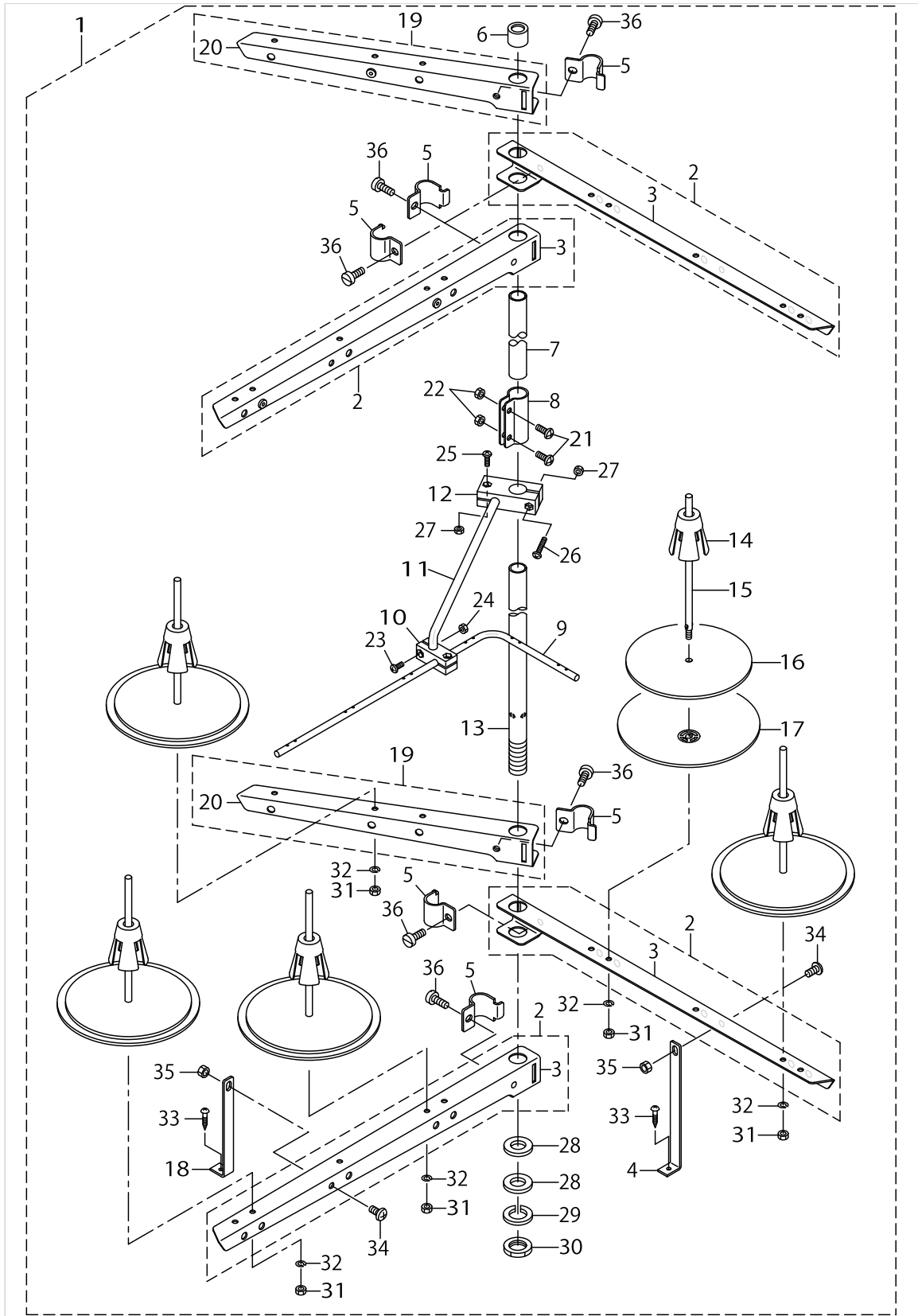


THREAD STAND COMPONENTS (FOR MO-6116D)

No.	Parts No.	Parts name	Remarks	Level	Cons	Qty
1	13167655	THREAD STANDING DEVICE ASM.				1
2	22930556	THREAD STANDING ARM ASM.		*		2
3	22930507	THREAD STANDING ARM		*		1
4	13168356	THREAD STANDING ARM ASM. LONG		*		2
5	13168307	THREAD STANDING ARM LONG		*		1
6	22931406	THREAD STANDING ROD RUBBER CAP		*		1
7	22930408	THREAD STANDING ROD UPPER		*		1
8	22931307	THREAD STANDING ROD JOINT		*		1
9	13167903	THREAD GUIDE		*		1
10	13168000	THREAD GUIDE BASE LOWER		*		1
11	13168109	THREAD GUIDE ARM		*		1
12	13168208	THREAD GUIDE ARM BASE		*		1
13	22930309	THREAD STANDING ROD LOWER		*		1
14	22931109	SPOOL RETAINER		*		5
15	22931000	SPOOL PIN		*		5
16	22930903	SPOOL REST CUSHION		*		5
17	22930804	SPOOL REST		*		5
18	SM6061610SC	SCREW M6 L=16		*		4
19	SM4051405SE	SCREW M5 L=14		*		2
20	NM6050001SE	NUT M5		*		2
21	SM4041001SC	SCREW M4X0.7 L=10		*		2
22	NM6040002SE	NUT M4X0.7		*		2
23	SM4041201SC	SCREW M4 L=12		*		1
24	SM4042001SC	SCREW M4X20		*		1
25	NM6040002SE	NUT M4X0.7		*		2
26	WP1612616SE	WASHER 16X30X2.6		*		2
27	WS1643202KR	SPRING WASHER		*		1
28	NM6160511SE	NUT M16X1.5		*		1
29	NM6050001SE	NUT M5		*		5
30	WS0510002KN	SPRING WASHER		*		5
31	22930705	THREAD GUIDE ARM JOINT		*		4



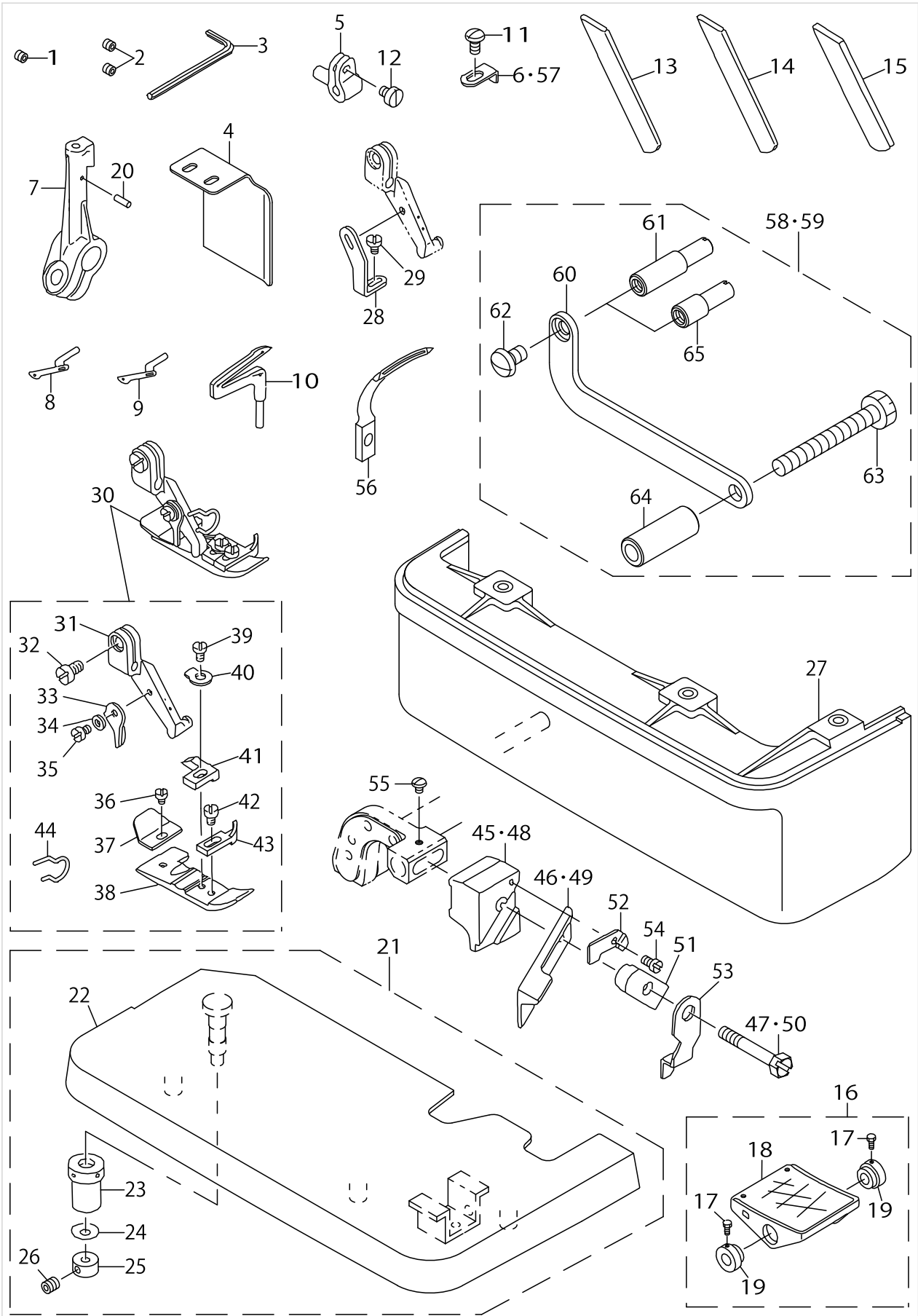
THREAD STAND COMPONENTS (MO-6116D SPECIAL ORDER PARTS)



THREAD STAND COMPONENTS (MO-6116D SPECIAL ORDER PARTS)

No.	Parts No.	Parts name	Remarks	Level	Cons	Qty
1	13167853	THREAD STANDING DEVICE ASM.				1
2	13168851	THREAD STANDING ARM ASM. LONG		*		4
3	13168802	THREAD STANDING ARM LONG		*		1
4	13168505	THREAD STANDING ARM SUPPORT B		*		1
5	22930705	THREAD GUIDE ARM JOINT		*		6
6	22931406	THREAD STANDING ROD RUBBER CAP		*		1
7	22930408	THREAD STANDING ROD UPPER		*		1
8	22931307	THREAD STANDING ROD JOINT		*		1
9	13167903	THREAD STANDING THREAD GUIDE		*		1
10	13168000	THREAD GUIDE BASE LOWER		*		1
11	13168109	THREAD GUIDE ARM BASE		*		1
12	13168208	THREAD GUIDE ARM BASE		*		1
13	22930309	THREAD STANDING ROD LOWER		*		1
14	22931109	SPOOL RETAINER		*		5
15	22931000	SPOOL PIN		*		5
16	22930903	SPOOL REST CUSHION		*		5
17	22930804	SPOOL REST		*		5
18	13168406	THREAD STANDING ARM SUPPORT A		*		1
19	13168950	THREAD STANDING ARM A ASM.		*		2
20	13168901	THREAD STANDING ARM A		*		1
21	SM4051405SE	SCREW M5 L=14		*		2
22	NM6050001SE	NUT M5		*		2
23	SM4041001SC	SCREW M4X0.7 L=10		*		2
24	NM6040002SE	NUT M4X0.7		*		2
25	SM4041201SC	SCREW M4 L=12		*		1
26	SM4042001SC	SCREW M4X20		*		1
27	NM6040002SE	NUT M4X0.7		*		2
28	WP1612616SE	WASHER 16X30X2.6		*		2
29	WS1643202KR	SPRING WASHER		*		1
30	NM6160511SE	NUT M16X1.5		*		1
31	NM6050001SE	NUT M5		*		5
32	WS0510002KN	SPRING WASHER		*		5
33	SK3382001SE	SCREW D=3.8 L=20		*		2
34	SM4061201SE	SCREW M6 L=12		*		2
35	NM6060001SE	NUT M6		*		2
36	SM6061610SC	SCREW M6 L=16		*		6

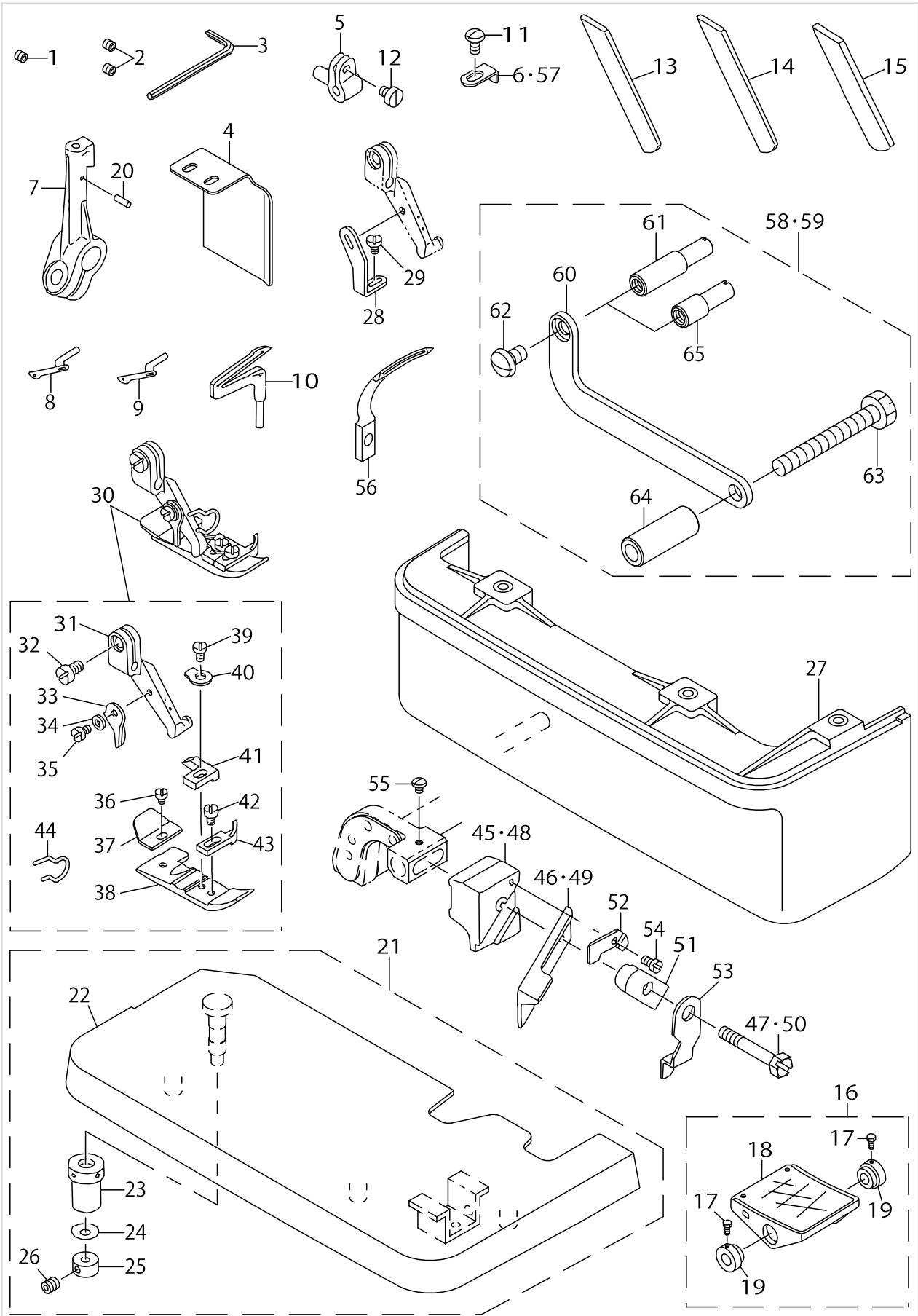
SPECIAL ORDER PARTS COMPONENTS



SPECIAL ORDER PARTS COMPONENTS

No.	Parts No.	Parts name	Remarks	Level	Cons	Qty
1	SS8080322TP	SCREW 1/8-44 L=3.2	FOR MO-6104D			1
2	SS8080322TP	SCREW 1/8-44 L=3.2	FOR MO-6114D,MO-6116D			2
3	B9112804000	SPANNER				1
4	40036778	V_BELT SLIDER				1
5	11544707	UPPER LOOPER SUPPORT ARM				1
6	11898103	PRESSER FOOT AUXILIARY PLATE	FOR MO-6104D			1
7	12123709	LOWER LOOPER SUPPORT ARM				1
8	B2519804000	UPPER LOOPER	FOR MO-6104D,MO-6116D			1
9	B2519814000	UPPER LOOPER	FOR MO-6114D			1
10	B2521804000	LOWER LOOPER				1
11	SS4080620TP	SCREW 1/8-44 L=6	FOR MO-6104D,MO-6114D			1
12	SS6080410SP	SCREW 1/8-44 L=4				1
13	11847605	LOWER KNIFE				1
14	11964509	CERAMIC LOWER KNIFE				1
15	11992005	LOWER KNIFE				1
16	11965753	PEDAL ASM.				1
17	SM9061203SE	SCREW M6 L=12		*		2
18	11965704	PEDAL		*		1
19	11965803	PEDAL THRUST COLLAR		*		2
20	PS0200062KH	SPRING PIN 2X6				1
21	12105458	CLOTH PLATE ASM.	FOR MO-6116D			1
22	12104550	CLOTH PLATE ASM.		*		1
23	11501301	ECCENTRIC BUSHING		*		1
24	WZ0420350KP	DISC SPRING		*		1
25	CS0400671SD	THRUST HOLDER		*		1
26	SM8040302TP	SETSCREW		*		1
27	11949104	CLOTH BASE COVER	FOR MO-6116D			1
28	B1539804000	PRESSER FOOT FIXING PLATE	FOR MO-6104D,MO-6114D			1
29	SS6060410TP	SCREW 3/32-56 L=3.5	FOR MO-6104D,MO-6114D			1
30	12152468	PRESSER FOOT(FINGER GUARD)	FOR MO-6114D			1
31	11872009	PRESSER FOOT HINGE		*		1
32	SS6090650SP	SCREW 9/64-40 L=6		*		1
33	B1530804000	STOPPER		*		1
34	WP0250516SD	WASHER 2.5X6X0.5		*		1
35	SS7060610SP	SCREW 3/32-56 L=5.5		*		1
36	SS6060210SP	SCREW 3/32-56 L=1.9		*		1
37	B1511814000	REAR PRESSER FOOT		*		1
38	B150781400P	PRESSER FOOT		*		1
39	SS7080520SP	SCREW 1/8-44 L=4.9		*		1
40	B150880400B	SPRING		*		1
41	12160008	STITCH TONGUE		*		1
42	SS6060440TP	SCREW 3/32-56 L=3.5		*		1
43	B1510814000	CURL GUARD		*		1
44	13178306	FINGER GUARD		*		1
45	11598000	UPPER KNIFE SUPPORT	FOR JE(MO-6104D,MO-6114D)			1
46	11845807	UPPER KNIFE	FOR JE(MO-6104D,MO-6114D)			1
47	SS9111610SP	SCREW 11/64-40 L=16	FOR JE(MO-6104D,MO-6114D)			1

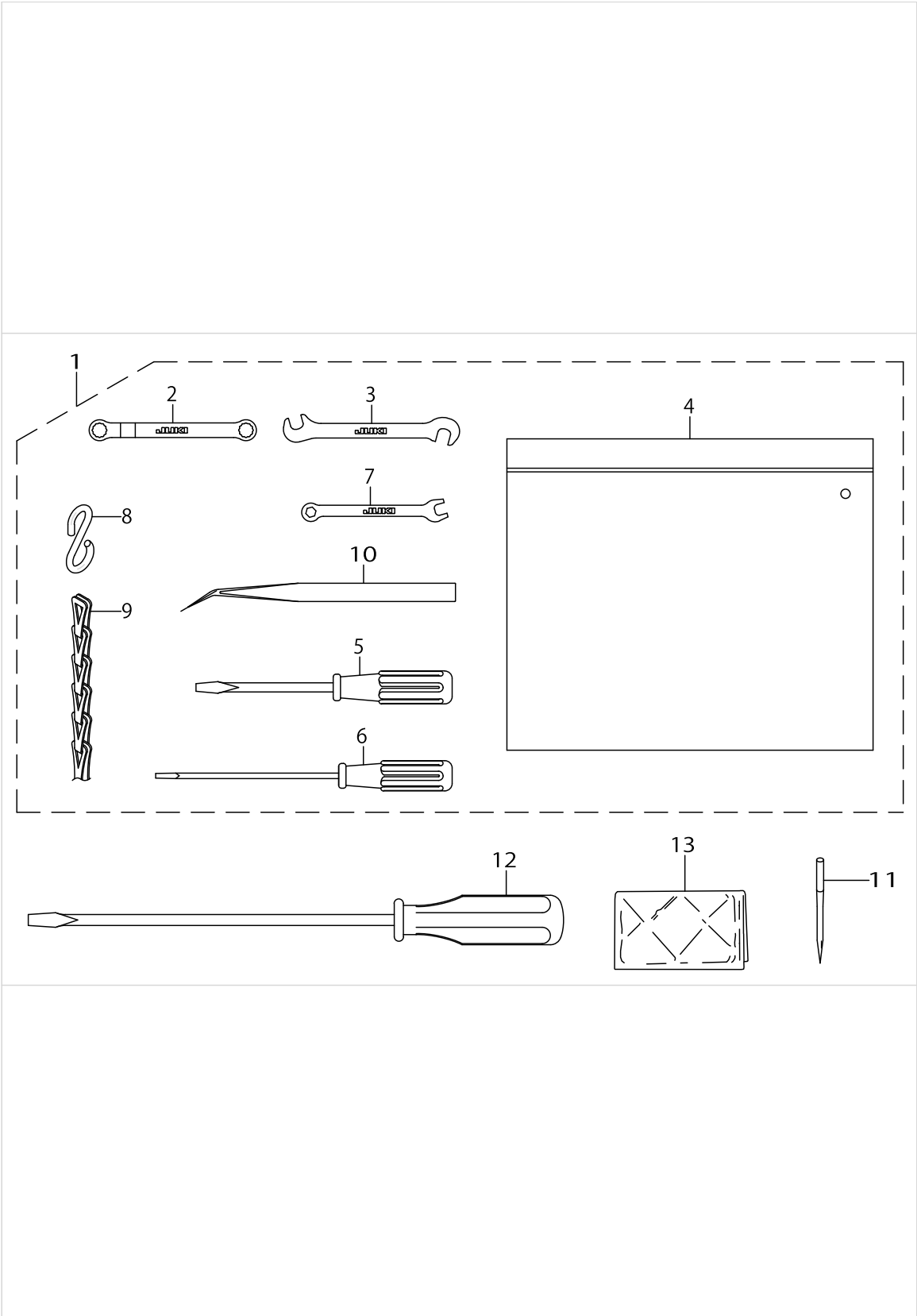
SPECIAL ORDER PARTS COMPONENTS



SPECIAL ORDER PARTS COMPONENTS

No.	Parts No.	Parts name	Remarks	Level	Cons	Qty
48	11845500	UPPER KNIFE SUPPORT	FORJE(MO-6116D)			1
49	11845906	UPPER KNIFE	FORJE(MO-6116D)			1
50	SS9112310SP	SCREW 11/64-40 L=23	FORJE(MO-6116D)			1
51	11565504	UPPER KNIFE PRESSER PLATE	FORJE(MO-6116D)			1
52	11565702	WASHER	FOR JE			1
53	11848405	UPPER KNIFE COVER	FOR JE			1
54	SS4060310SP	SCREW 3/32-56 L=2.5	FOR JE			1
55	SS4060310SP	SCREW 3/32-56 L=2.5	FOR JE			1
56	12120713	CHAIN LOOPER	FOR MO-6116D			1
57	40030533	PRESSER FOOT AUXILIARY PLATE	FOR MO-6114D			1
58	40025294	SYNCHRONIZER STOPPER ASM.				1
59	40011755	SYNCHRONIZER TURN STOPPER ASM	FOR SC-380			1
60	40011757	SYNCHRONIZER STOPPER BASE		*		1
61	40022255	SYNCHRONIZER STOPPER		*		1
62	SS5120810SP	SCREW		*		1
63	SS9154540SP	SCREW 15/64-28 L=45		*		1
64	40011758	SYNCHRONIZER BASE COLLAR		*		1
65	40011756	SYNCHRONIZER STOPPER	FOR SC-380	*		1

ACCESSORIES PARTS COMPONENTS



ACCESSORIES PARTS COMPONENTS

No.	Parts No.	Parts name	Remarks	Level	Cons	Qty
1	13160858	ACCESSORIE BAG ASM.				1
2	13160007	RING SPANNER		*		1
3	13160205	PIN SPANNER		*		1
4	22932800	ACCESSORIE BAG		*		1
5	22933105	SCREW DRIVER.MIDDLE		*		1
6	12347308	SCREW DRIVER (SMALL)		*		1
7	13160106	SPANNER (5X6)		*		1
8	13160304	S SHAPED HOOK		*		2
9	13160403	CHAIN		*		1
10	12288403	TWEEZERS		*		1
11	MDC270B1104	NEEDLE DCX27 #11-4EA.				1
12	22933006	SCREW DRIVER.LARGE				1
13	40048535	HEAD_COVER				1



LIST FOR INFORMATION OF CHANGE

As to the place changed, refer to the corresponding Rev.No.  
 When previous parts(Obsoleted part)and new parts(Added parts)are not interchangeable with each other:  
 In this case, even obsoleted parts(D.) can be ordered with the obsoleted part number, so select the parts with changed dates and place your orders.

変更箇所は、該当Rev.No.版をご参照ください。  
 部品の互換性がない変更の場合は、削除された品番でも、ご注文できます。

40004767  
 No.1353-02・・・Rev.No.

\*A:Added parts追加部品/D:Obsoleted parts削除部品/E:Erratum訂正

*	Rev. No.	Page 頁	Ref. No.	Parts No. 品番	*	Rev. No.	Page 頁	Ref. No.	Parts No. 品番
D	01	2	34	121-05359	A	02	2	34	131-03650
D	01	6	8	118-11619	A	02	6	8	131-08402
D	01	6	10	119-56505	A	02	6	10	131-07701
D	01	6	47	132-05901	A	02	6	47	400-17714
D	01	8	5	122-80301	A	02	8	5	131-10101
D	01	12	64	118-82107	A	02	12	64	131-91606
D	01	12	66	118-82800	A	02	12	66	131-92406
D	01	12	67	B1657-804-00T	A	02	12	67	131-92802
D	01	12	68	119-49906	A	02	12	68	131-93206
D	01	12	69	121-72805	A	02	12	69	131-93602
D	01	14	10	400-32574	A	02	14	10	400-39400
D	01	14	24	121-23659	A	02	14	24	131-33053
D	01	16	1	121-13205	A	02	16	1	131-15001
D	01	16	28	SS-4110715-SP	A	02	16	28	SS-7110840-SP
D	01	16	30	SS-8110520-TP	A	02	16	30	SM-8050412-TP
D	01	16	32	121-14468	A	02	16	32	131-15654
D	01	18	1	122-53811	A	02	18	1	122-53829
D	01	20	37	B2401-816-000	A	02	20	37	131-28905
D	01	26	25	118-43208	A	02	26	25	131-42500
D	01	27	1	118-50815	A	02	27	1	131-61005
D	01	27	2	118-49411	A	02	27	2	131-60908
D	01	27	3	118-49361	A	02	27	3	131-61153
D	01	28	1	118-50815	A	02	28	1	131-61005
D	01	28	2	118-49411	A	02	28	2	131-60908
					A	02	40	57	400-30533
					A	02	40	58	400-25294
					A	02	40	59	400-11755
D	01	41	13	229-33303	A	02	41	13	400-48535

## HOW TO MAKE USE OF THIS PARTS LIST

### 1.Explanation of codes

1)"\*"mark.....means this part is changed from the previous parts book.

As to the details of the change, refer to the "List for information of change".

2)"#01".....refer to "Note" explanation at bottom of page.

### 2.Codes on the "Qty" column

- Each numeral indicates the number of parts required.
- "0.1" and "2.5" indicate the length (in meters) of the respective parts.

3.Parentheses mean that the corresponding part is a subpart that constructs an assembly part.

4.Dotted lines on the Figures indicate assembly parts.

### 1."注記"欄の記号説明

1) "\*"印.....前回のパーツブックに比較して今回変更された部品を意味します。

変更内容は、"変更情報リスト"を参照してください。

2) "#01".....ページ下の"注記"の説明を参照してください。

2.数量欄の数字は、個数を表し、0.1、2.5等の数値は、長さ（単位メートル）を表します。

3.数量欄の（ ）は、組部品を構成している子部品であることを意味します。

4.イラストページの-----枠は、組構成であることを意味します。

# NUMERICAL INDEX OF PARTS

PART NO	PAGE	REF NO.	PART NO	PAGE	REF NO.	PART NO	PAGE	REF NO.
10753309	6	39	11959400	52	21	12160008	66	41
11151065	56	26	11959558	54	15	12162202	38	41
11151909	56	31	11960655	56	1	12164802	38	37
11155108	52	19	11960754	56	13	12167409	38	40
11155108	54	32	11964509	66	14	12167508	38	45
11155207	52	20	11965704	66	18	12167607	38	42
11155207	54	33	11965753	66	16	12167706	38	46
11157567	56	2	11965803	66	19	12167805	38	38
11159001	56	18	11991908	28	63	12176103	28	64
11159365	56	14	11992005	66	15	12177903	44	41
11246501	56	38	11999307	28	65	12253829	38	1
11246600	56	37	12015301	44	39	12256905	16	63
11501301	2	36	12015400	44	40	12257002	14	45
11501301	66	23	12102208	44	16	12288403	70	10
11517307	14	43	12102752	2	35	12288700	34	33
11544707	66	5	12102810	44	23	12288908	44	7
11565504	68	51	12102950	44	31	12340303	26	31
11565702	68	52	12103107	44	29	12340402	26	33
11566809	46	12	12103305	2	28	12340501	28	48
11598000	66	45-48	12103701	44	18	12340600	26	25
11802006	44	32	12104550	66	22	12340709	26	27
11806304	22	16	12105458	66	21	12340808	28	50
11806304	30	47	12108403	10	25	12341806	52	16
11806304	44	12	12109153	10	28	12341806	54	41
11840303	48	7	12118204	22	10	12341905	52	5
11840402	48	8	12118303	22	9	12341954	52	4
11845500	68	45-48	12120150	10	38	12342101	2	11
11845807	66	46-49	12120705	30	41	12347308	70	6
11845906	68	46-49	12120713	68	56	13100805	2	16
11846607	44	14	12121612	30	34	13100904	2	15
11846805	44	33	12122362	10	30	13101001	2	21
11847605	66	13	12123360	10	34	13101209	2	18
11848405	68	53	12123709	66	7	13101308	2	30
11849361	54	26	12132155	10	43	13101407	2	19
11849379	54	25	12132619	44	15	13101506	2	25
11872009	38	20	12132700	44	20-26	13101605	2	26
11872009	66	31	12132809	44	20-26	13101803	2	32
11876158	38	4	12132908	44	24	13102207	2	45
11876851	38	19	12133005	44	27	13102405	2	3
11890001	28	66	12133104	44	22	13102702	44	46
11890100	44	37	12133211	44	11	13102900	6	38
11890308	44	38	12133708	44	28	13103650	2	34
11898103	66	6-57	12152468	66	30	13103809	2	13
11949104	66	27	12153755	38	34	13103908	6	24
11949807	24	65	12156907	38	35	13104005	2	1

# NUMERICAL INDEX OF PARTS

PART NO	PAGE	REF NO.	PART NO	PAGE	REF NO.	PART NO	PAGE	REF NO.
13104203	2	2	13116900	34	21	13128509	40	34
13104302	2	44	13117007	34	19	13128608	40	35
13104500	6	10	13117106	34	34	13128707	40	36
13104807	6	29	13119904	18	33	13128905	40	37
13107602	10	4	13119953	18	32	13129101	40	40
13107701	10	10	13120001	18	41	13129309	26	21
13108006	10	23	13120605	18	44	13129309	30	8
13108105	10	24	13120803	22	33	13129457	40	38
13108303	10	27	13121009	22	31	13129903	30	7
13108402	10	8	13121058	22	30	13129952	30	6
13108600	10	18	13121108	24	75	13130000	40	39
13110101	14	5	13121207	22	43	13130109	32	50
13110200	14	22	13121256	22	42	13131107	26	8
13110259	14	21	13121405	22	26	13131156	26	7
13110507	14	2	13121603	24	49	13131800	26	46
13110556	14	1	13122007	16	49~52	13132006	26	47
13110705	14	24	13122007	18	35~38	13132501	26	20
13110804	14	25	13122007	46	13~16	13132550	26	19
13110903	14	26	13122106	16	49~52	13132600	26	11
13111000	14	27	13122106	18	35~38	13132907	26	35
13111109	14	31	13122106	46	13~16	13133053	26	24
13111208	14	34	13122205	16	49~52	13137559	40	2
13111307	14	35	13122205	18	35~38	13137609	40	12
13111406	14	36	13122205	46	13~16	13137708	40	8~10
13111505	14	38	13122304	16	49~52	13137807	40	5~7
13111604	14	39	13122304	18	35~38	13137906	40	13
13111703	14	40	13122304	46	13~16	13138003	40	16
13115001	34	1	13122502	18	13	13138102	40	14
13115100	34	2	13122809	22	24	13138201	40	27
13115209	34	4	13123302	22	39	13138359	40	3
13115258	34	3	13123302	34	44	13138409	40	8~10
13115407	34	8	13125901	30	14	13138508	40	5~7
13115654	34	32	13125950	30	13	13138656	40	4
13115753	34	9	13126503	30	19~22	13138706	40	8~10
13115803	34	10	13126602	30	19~22	13138805	40	5~7
13115902	34	11	13126701	30	19~22	13138904	40	11
13116009	34	12	13126800	30	19~22	13139555	40	20
13116108	34	13	13127105	30	18	13139605	40	22
13116207	34	18	13127204	30	23~26	13139704	40	25
13116306	34	20	13127303	30	23~26	13139803	40	24
13116405	34	22	13127402	30	23~26	13139902	40	23
13116504	34	23	13127501	30	23~26	13140009	40	21
13116603	34	24	13128202	40	31	13142500	48	25
13116702	38	2	13128301	40	32	13142609	48	38
13116801	34	7	13128400	40	33	13142955	48	33

NUMERICAL INDEX OF PARTS

PART NO	PAGE	REF NO.	PART NO	PAGE	REF NO.	PART NO	PAGE	REF NO.
13143607	48	43	13161005	52	1	13172556	20	50
13143805	48	27	13161005	54	1	13172606	46	22
13147301	46	9	13161153	52	3	13172655	46	21
13147400	46	7	13167556	58	1	13172705	16	55
13147509	46	2	13167655	62	1	13172754	16	54
13147558	46	1	13167754	60	1	13172804	28	59
13150503	46	17	13167853	64	1	13172853	28	58
13150602	46	18	13167903	58	8	13175005	16	62
13150701	44	45	13167903	60	9	13178306	38	33
13150800	46	11	13167903	62	9	13178306	66	44
13150909	46	5	13167903	64	9	13178405	38	47
13151006	46	6	13168000	58	9	13191309	24	70
13151105	44	35	13168000	60	10	13191408	24	71
13151204	44	5	13168000	62	10	13191606	24	64
13151303	46	4	13168000	64	10	13192406	24	66
13155007	52	15	13168109	58	10	13192802	24	67
13155106	54	17	13168109	60	11	13193206	24	68
13155205	54	18	13168109	62	11	13193602	24	69
13155304	54	27	13168109	64	11	13200209	6	1
13155403	52	13	13168208	58	11	13200308	6	2
13155403	54	16	13168208	60	12	13200803	2	8
13155502	52	10	13168208	62	12	13200902	24	77
13155502	54	22	13168208	64	12	13201108	6	28
13155601	52	8	13168307	62	5	13201207	6	33
13155601	54	20	13168356	62	4	13201306	6	32
13155700	52	9	13168406	60	18	13201405	6	16
13155700	54	21	13168406	64	18	13201454	6	15
13155759	52	7	13168505	60	4	13204003	6	35
13155759	54	19	13168505	64	4	13204003	26	13
13155858	54	5	13168802	60	3	13207808	14	20
13155908	54	8	13168802	64	3	13208103	16	60
13156005	54	9	13168851	60	2	13208707	14	30
13156104	54	10	13168851	64	2	13208806	14	28
13156203	54	6	13168901	64	20	13208905	14	29
13156302	54	7	13168950	64	19	13209804	14	7
13156500	52	14	13170105	6	21	13209853	14	6
13160007	70	2	13170204	6	11	13210000	14	17
13160106	70	7	13170204	22	34	13212501	34	39
13160205	70	3	13170303	10	14	13212600	34	31
13160304	70	8	13170402	34	37	13212709	34	35
13160403	70	9	13170501	24	48	13212808	34	41
13160700	6	43	13170600	26	16	13212915	34	43
13160858	70	1	13170808	48	34	13213012	22	38
13160908	52	2	13171004	6	22	13213012	34	42
13160908	54	2	13172507	20	51	13215108	22	2

# NUMERICAL INDEX OF PARTS

PART NO	PAGE	REF NO.	PART NO	PAGE	REF NO.	PART NO	PAGE	REF NO.
13215157	22	1	22930705	64	5	40004529	4	51
13215207	22	3	22930804	58	16	40004535	10	1
13215306	22	4	22930804	60	17	40004536	10	2
13215405	22	5	22930804	62	17	40004540	12	54
13215504	22	6	22930804	64	17	40004542	10	16
13215603	22	7	22930903	58	15	40004543	10	9
13215702	22	11	22930903	60	16	40004545	10	19
13215801	22	17	22930903	62	16	40004546	10	53
13215900	22	13	22930903	64	16	40004546	12	53
13216007	22	14	22931000	58	14	40004547	10	22
13217351	22	47	22931000	60	15	40004549	10	13
13217401	24	57	22931000	62	15	40004550	10	6
13217500	24	58	22931000	64	15	40004551	12	55~59
13217708	22	36	22931109	58	13	40004552	12	55~59
13222401	26	29	22931109	60	14	40004553	12	55~59
13222708	26	3	22931109	62	14	40004554	12	55~59
13222807	10	41	22931109	64	14	40004555	12	55~59
13222906	10	42	22931307	58	7	40004558	14	4
13225107	40	18·19	22931307	60	8	40004559	14	9~11
13228903	48	12	22931307	62	8	40004561	14	9~11
13229000	48	14	22931307	64	8	40004563	14	9~11
13229208	48	47	22931406	58	5	40004565	14	12~14
13232657	44	9·10	22931406	60	6	40004567	14	12~14
13232756	44	9·10	22931406	62	6	40004569	14	12~14
13235304	44	19	22931406	64	6	40004572	14	15
13240007	4	48~50	22932800	70	4	40004573	14	44
13240106	4	48~50	22933006	70	12	40004574	16	58
13240205	4	48~50	22933105	70	5	40004576	14	16
22901805	6	37	23630007	4	52	40004577	14	18
22921407	40	26	23630007	50	50	40004578	14	19
22930309	58	12	23640006	4	53	40004580	14	42
22930309	60	13	31018005	48	13	40004580	26	44
22930309	62	13	40004509	6	44	40004591	18	1
22930309	64	13	40004510	6	46	40004592	18	2
22930408	58	6	40004511	6	5	40004593	18	6
22930408	60	7	40004513	6	8	40004594	18	12
22930408	62	7	40004514	6	6	40004595	18	10
22930408	64	7	40004516	2	7	40004596	18	11
22930507	58	3	40004517	6	12	40004597	18	8
22930507	62	3	40004519	2	41	40004599	18	16
22930556	58	2	40004520	2	42	40004600	18	46
22930556	62	2	40004525	6	19	40004601	18	47
22930705	58	4	40004526	6	20	40004603	18	23
22930705	60	5	40004527	6	23	40004604	18	14
22930705	62	31	40004528	4	56	40004605	18	24

# NUMERICAL INDEX OF PARTS

PART NO	PAGE	REF NO.	PART NO	PAGE	REF NO.	PART NO	PAGE	REF NO.
40004606	18	15	40004687	32	33·54	40030533	68	6·57
40004608	18	25	40004692	28	67~69	40036778	66	4
40004611	8	55	40004693	28	67~69	40039400	26	10
40004613	8	56	40004694	28	67~69	40048535	70	13
40004618	22	19	40004696	26	2	B1212704000	10	17
40004619	24	79~83	40004697	26	14	B1507804C00	38	12
40004620	24	79~83	40004698	26	23	B150781400P	38	27
40004621	24	79~83	40004699	18	31	B150781400P	66	38
40004622	24	79~83	40004699	28	53	B150880400B	38	29
40004623	24	79~83	40004701	26	4~6	B150880400B	66	40
40004627	18	42	40004702	26	4~6	B1509804C00	38	15
40004629	18	43	40004703	26	4~6	B150981400P	38	30
40004638	24	52	40004713	28	52	B1510814000	38	32
40004641	24	56·89	40004716	26	37~40	B1510814000	66	43
40004642	24	56·89	40004718	26	37~40	B1511814000	38	26
40004643	22	29	40004720	26	37~40	B1511814000	66	37
40004645	22	18	40004722	26	37~40	B1513816000	38	39
40004646	22	40	40004731	40	1	B1514816000	38	43
40004647	22	45	40004738	48	3	B1530804000	38	22
40004648	20	53	40004739	48	4	B1530804000	66	33
40004649	18	26	40004740	48	6	B1539804000	66	28
40004651	20	49	40004743	48	23	B2119816A00	30	27~31
40004652	18	28	40004746	48	44	B2119816B00	30	27~31
40004653	24	86~88	40004747	48	42	B2119816C00	30	27~31
40004654	24	86~88	40004748	48	41	B2119816D00	30	27~31
40004655	24	86~88	40004749	48	16	B2119816E00	30	27~31
40004659	18	39·56	40004750	48	1	B2519804000	66	8
40004660	20	39·56	40004751	26	41	B2519814000	66	9
40004665	30	1	40004752	24	84	B2521804000	66	10
40004666	30	3~5	40004753	24	85	B2530704000	28	54
40004667	30	3~5	40004754	22	21	B3013141H0A	48	19
40004668	30	3~5	40004755	8	58	B3113352000	40	41
40004669	32	48	40011755	68	58·59	B4122804000	48	20
40004671	30	10	40011756	68	65	B71140120A0	56	25
40004672	30	11	40011757	68	60	B81517710A0	56	27
40004674	30	12	40011758	68	64	B8152771000	56	39
40004675	32	49	40017714	10	47	B8153771000	56	40
40004676	30	42	40018263	48	11	B8267180000	8	53
40004680	30	16	40018264	48	9	B9112804000	66	3
40004681	30	17	40019589	24	50	BP30000010R	48	24
40004682	30	40	40019590	24	54	CM300200001	2	40
40004683	26	15	40019591	24	51	CM3002000A1	6	17
40004683	30	46	40022255	68	61	CM3002001B1	6	36
40004684	30	44	40024112	48	2	CS0400671SD	2	38
40004685	30	33·54	40025294	68	58·59	CS0400671SD	66	25

NUMERICAL INDEX OF PARTS

PART NO	PAGE	REF NO.	PART NO	PAGE	REF NO.	PART NO	PAGE	REF NO.
CS150101ATH	20	54	PS0300142KH	34	16	SM4041001SC	62	21
D8113555B00	56	33	R4200J6ED00	44	1	SM4041001SC	64	23
D8204555D00	52	22	R4305J6EE00	44	2	SM4041055SP	2	17
D8204555D00	54	34	R4508J6ED00	44	3	SM4041055SP	24	60
EA9500B0100	48	46	RE0300000K0	22	37	SM4041055SP	48	40
GPF06060000	56	15	RE0300000K0	34	47	SM4041201SC	58	22
GPF06070000	56	16	RE0500000K0	22	41	SM4041201SC	60	24
GPF06080000	56	17	RO098190100	12	52	SM4041201SC	62	23
MDC270B1100	14	53	RO118240100	4	58	SM4041201SC	64	25
MDC270B1100	16	53	SB110000600	10	21	SM4042001SC	58	23
MDC270B1104	70	11	SB33500020A	18	18~22	SM4042001SC	60	25
NM6040002SE	58	24	SB33500020B	18	18~22	SM4042001SC	62	24
NM6040002SE	60	26	SB33500020C	18	18~22	SM4042001SC	64	26
NM6040002SE	62	25	SB33500020D	18	18~22	SM4050855SP	10	7
NM6040002SE	64	27	SB33500020E	18	18~22	SM4050855SP	40	44
NM6050001SE	58	28	SD0260271SP	18	5	SM4050855SP	48	28
NM6050001SE	60	30	SD0280401SL	16	61	SM4051055SP	44	8
NM6050001SE	62	29	SD0600341TP	40	42	SM4051255SP	22	25
NM6050001SE	64	31	SD0640241SP	34	15	SM4051405SE	58	18
NM6060001SE	60	34	SD0720271SP	24	59	SM4051405SE	60	20
NM6060001SE	64	35	SD0720332SP	32	51	SM4051405SE	62	19
NM6060003SC	34	25	SK2351600SC	52	24	SM4051405SE	64	21
NM6080001SE	56	21	SK2351600SC	54	4	SM4051601SC	48	35
NM6080600SM	54	29	SK3311500SC	52	25	SM4061201SE	60	33
NM6080721SE	56	32	SK3311500SC	54	35	SM4061201SE	64	34
NM6160511SE	58	27	SK3382001SE	60	32	SM4061255SP	6	7
NM6160511SE	60	29	SK3382001SE	64	33	SM6040600SP	22	22
NM6160511SE	62	28	SK3412001SE	6	40	SM6050800SP	12	49
NM6160511SE	64	30	SK3513200SC	52	26	SM6051202TP	18	34
NS6090310SN	2	5	SK3513200SC	54	31	SM6051202TP	24	55
NS6090310SP	52	12	SL9061291SE	56	24	SM6051202TP	30	15
NS6090310SP	54	24	SL9082091SE	56	22	SM6053502TP	8	49
NS6110310SP	48	48	SM1040801SC	2	10	SM6056052TP	8	48
NS6110310SP	50	48	SM1040801SC	6	13	SM6061200SP	26	17
NS6110420SP	2	46	SM4040655SP	2	31	SM6061200SP	34	27
NS6110420SP	34	26	SM4040655SP	26	30	SM6061202TP	10	37
NS6240630SE	52	23	SM4040855SP	2	43	SM6061402TP	14	8
NS6240630SE	54	40	SM4040855SP	6	57	SM6061402TP	46	3
NS6620320SP	18	40	SM4040855SP	8	57	SM6061602TP	20	48
NS6680410SP	6	27	SM4040855SP	10	26	SM6061610SC	58	17
PS0200052KH	40	28	SM4040855SP	14	41	SM6061610SC	60	19
PS0200062KH	66	20	SM4040855SP	22	35	SM6061610SC	62	18
PS0250062KH	30	32	SM4040855SP	48	39	SM6061610SC	64	36
PS0300062KH	26	18	SM4041001SC	58	20	SM6061802TP	48	21
PS0300102K0	18	7	SM4041001SC	60	22	SM8040302TP	2	39



## NUMERICAL INDEX OF PARTS

PART NO	PAGE	REF NO.	PART NO	PAGE	REF NO.	PART NO	PAGE	REF NO.
SM8040302TP	66	26	SS6060210SP	38	25	SS7060610SP	38	24
SM8040402TP	34	38	SS6060210SP	66	36	SS7060610SP	66	35
SM8050412TP	34	30	SS6060340SP	38	44	SS7080520SP	38	28
SM9061203SE	56	34	SS6060410TP	66	29	SS7080520SP	66	39
SM9061203SE	66	17	SS6060440TP	26	1	SS7090510SP	44	42
SM9082023SE	56	28	SS6060440TP	38	31	SS7090530SP	2	20
SM9082513CF	54	28	SS6060440TP	48	45	SS7090610SP	2	22
SQ0000451MZ	48	29	SS6060440TP	66	42	SS7090610SP	44	44
SQ1110401MZ	4	54	SS6080340SP	24	78	SS7090611SL	6	34
SQ1110451MZ	48	49	SS6080340SP	34	17	SS7090710SP	44	25
SQ1110451MZ	50	49	SS6080410SP	24	53	SS7090850SP	26	26
SQ1150441SD	48	30	SS6080410SP	26	28	SS7091410SP	2	33
SQ1150451MZ	48	37	SS6080410SP	66	12	SS7110510SP	2	27
SQ1150454SD	48	26	SS6080720SP	14	23	SS7110510SP	34	14
SS1060610SP	22	20	SS6081210TP	12	48	SS7110710SL	40	29
SS1120710SP	6	47	SS6090420SP	54	11	SS7110710SP	2	29
SS2060320SP	30	43	SS6090610SP	18	27	SS7110720SP	44	13
SS2090520SL	2	4	SS6090620TP	22	8	SS7110720TP	30	39
SS2110910SL	44	4	SS6090620TP	28	61	SS7110810SP	18	9
SS3090610SP	2	6	SS6090620TP	30	37	SS7110840SP	10	46
SS3090610SP	26	51	SS6090630TP	26	62	SS7110840SP	26	36
SS3090610SP	28	51	SS6090630TP	28	62	SS7110840SP	34	28
SS4060310SP	68	55	SS6090630TP	52	27	SS7110840SP	44	36
SS4080620TP	24	72	SS6090630TP	54	37	SS7110910TP	18	17
SS4080620TP	30	36	SS6090650SP	38	36	SS7111410TP	10	40
SS4080620TP	66	11	SS6090650SP	66	32	SS7111410TP	34	29
SS4090415SP	40	48	SS6090670TP	14	37	SS7111810TP	10	44
SS4090415SP	42	48	SS6090810SP	48	10	SS7150740SP	34	45
SS4090515SP	22	27	SS6090920SP	32	52	SS7151120SP	44	30
SS4090615SP	28	49	SS6110610TP	44	17	SS7161040SP	36	48
SS4091015SP	2	14	SS6110710TP	18	4	SS8080310TP	14	48
SS4110515SP	14	33	SS6110710TP	30	45	SS8080310TP	16	48
SS4110515SP	42	49	SS6110710TP	34	5	SS8080322TP	66	2
SS4110615SP	40	30	SS6111040SP	46	8	SS8090530TP	16	59
SS4120615SP	2	12	SS6111440SP	2	47	SS8110410TP	2	24
SS4120615SP	6	45	SS6111610SP	6	9	SS8110410TP	20	52
SS4151215SP	6	18	SS6111610SP	46	10	SS8110410TP	22	44
SS5080212TP	10	3	SS6121020SP	34	40	SS8110410TP	40	17
SS5090610SP	52	11	SS6121220TP	18	45	SS8110410TP	48	5
SS5090610SP	54	23	SS6151440SP	44	34	SS8110422TP	12	50
SS5110710SP	6	31	SS6661110SP	22	46	SS8110510SP	18	3
SS5110710SP	52	17	SS7060310SP	22	12	SS8150410TP	12	51
SS5110710SP	54	38	SS7060510SP	38	3	SS8150410TP	18	30
SS5120810SP	68	62	SS7060510SP	44	43	SS8151150TP	10	5
SS5150510SP	42	50	SS7060610SP	26	45	SS8660330SP	22	32

## NUMERICAL INDEX OF PARTS

PART NO	PAGE	REF NO.	PART NO	PAGE	REF NO.
SS8660330SP	46	23	WP1612616SE	58	25
SS8660610TP	16	56	WP1612616SE	60	27
SS8660610TP	28	60	WP1612616SE	62	26
SS9090410TP	26	43	WP1612616SE	64	28
SS9090610TP	26	42	WS0510002KN	58	29
SS9090823TP	46	19	WS0510002KN	60	31
SS9111010SP	24	73	WS0510002KN	62	30
SS9111010SP	44	21	WS0510002KN	64	32
SS9111050SP	24	74	WS0511302KS	8	51
SS9111610SP	66	47-50	WS0621210KR	56	35
SS9112310SP	68	47-50	WS0822010KP	6	26
SS9151210TP	4	57	WS0861410KR	56	29
SS9151210TP	26	22	WS1002560KR	52	29
SS9151210TP	30	9	WS1002560KR	54	36
SS9151210TP	34	6	WS1643202KR	58	26
SS9151440CP	10	12	WS1643202KR	60	28
SS9154540SP	68	63	WS1643202KR	62	27
ST60308210A	54	13	WS1643202KR	64	29
TA0340201R0	20	55	WZ0420350KP	2	37
TA0340201R0	32	53	WZ0420350KP	66	24
TA0570301M0	4	55	WZ0640312K0	40	43
TA0690801R0	22	23	WZ0850302K0	6	30
TA0800504R0	24	76	WZ2640310KH	10	15
TA1550902R0	8	54			
TA1701002R0	8	52			
TA1871602R0	6	41			
TA2050805R0	6	42			
WP0250516SD	38	23			
WP0250516SD	66	34			
WP0370316SD	46	20			
WP0370316SD	54	14			
WP0371016SD	22	28			
WP0460556SD	24	61			
WP0460556SD	34	46			
WP0480856SP	24	62			
WP0501016SD	8	50			
WP0621016SD	24	63			
WP0651056SD	48	22			
WP0671016SE	56	36			
WP0751576SD	6	25			
WP0850002SC	54	30			
WP0871602SE	56	30			
WP1002036SE	52	28			
WP1002036SE	54	39			
WP1052001SC	18	29			