

MODEL : DDL-5550N-7 SERIES

List No : 0919-12

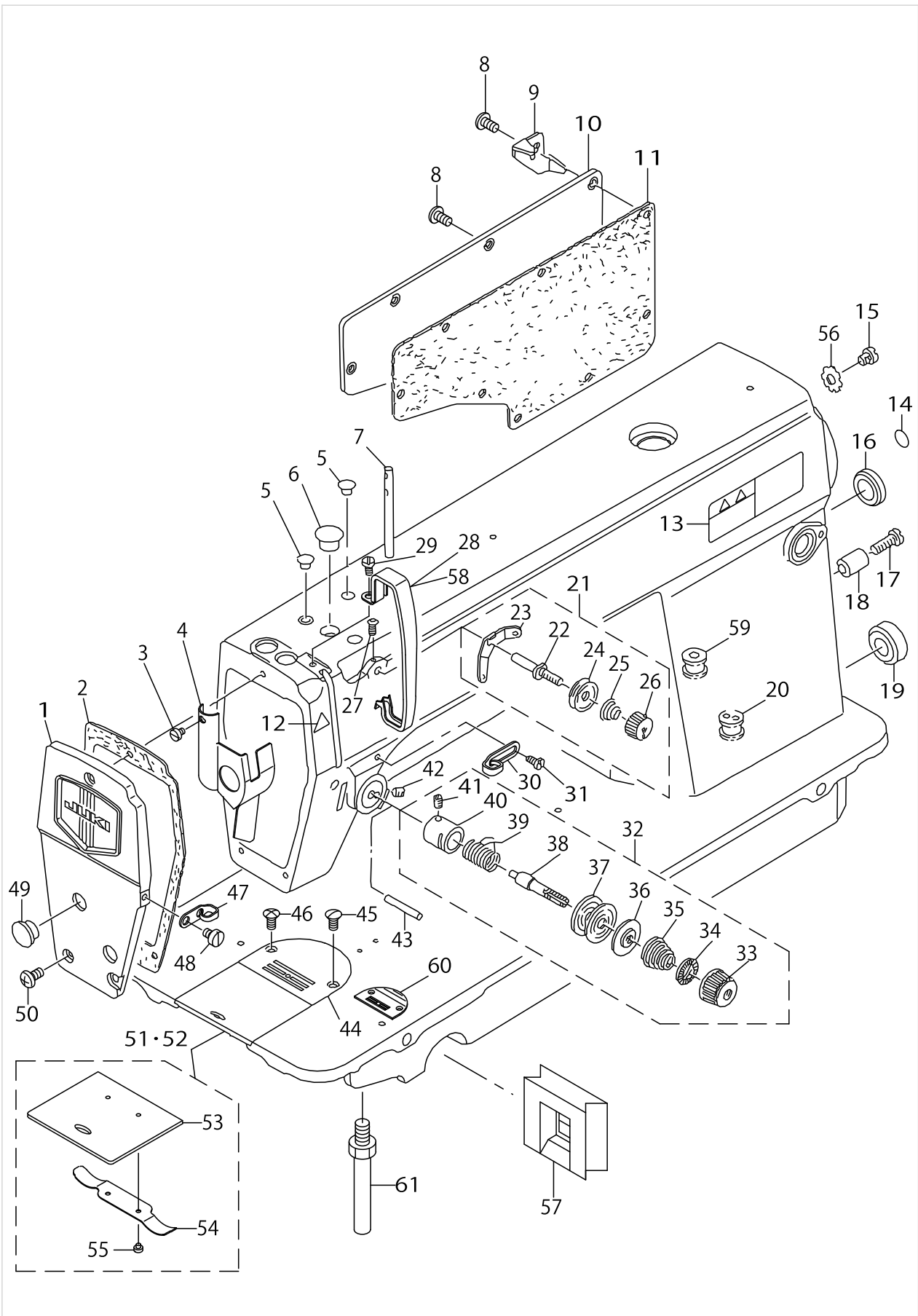
PARTS LIST

Published:02/15/2019

CONTENTS

MACHINE FRAME & MISCELLANEOUS COVER COMPONENTS	1
MAIN SHAFT COMPONENTS	5
NEEDLE BAR, UPRIGHT SHAFT & HOOK DRIVING SHAFT COMPONENTS	7
HAND LIFTER COMPONENTS	9
FEED MECHANISM COMPONENTS.....	11
THREAD TRIMMER COMPONENTS	15
AUTOMATIC REVERSE FEED COMPONENTS.....	19
WIPER COMPONENTS.....	21
OIL LUBRICATION COMPONENTS	23
OIL RESERVOIR COMPONENTS	25
BELT COVER & BOBBIN COMPONENTS.....	27
THREAD STAND COMPONENTS.....	29
EXCLUSIVE PARTS FOR DDL-5550NH-7.....	31
EXCLUSIVE PARTS FOR DDL-5550NA-7.....	35
EXCLUSIVE PARTS FOR DDL-5550NK-7.....	37
LIST FOR INFORMATION OF CHANGE (1).....	39
LIST FOR INFORMATION OF CHANGE (2).....	40
HOW TO MAKE USE OF THIS PARTS LIST	41

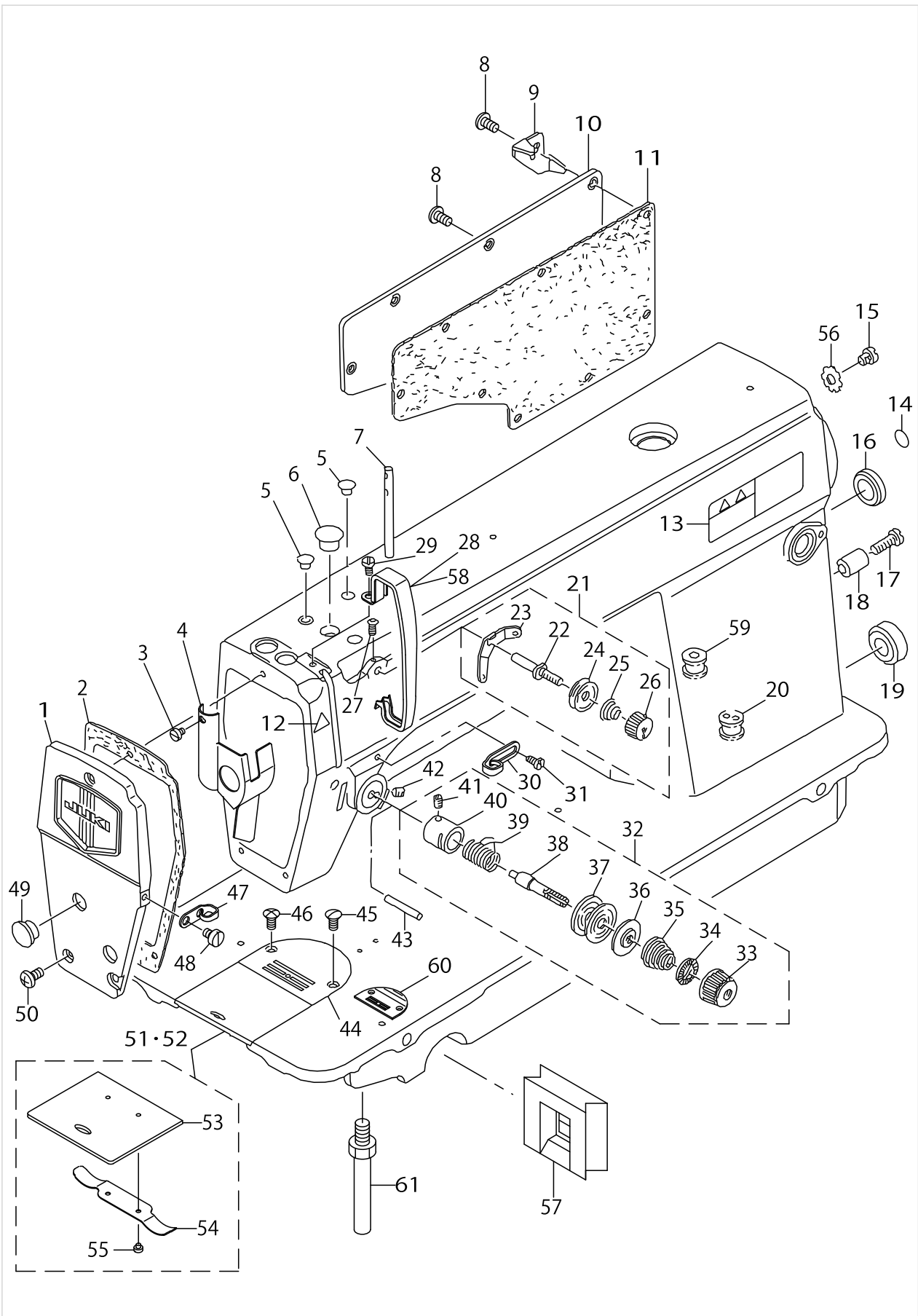
MACHINE FRAME & MISCELLANEOUS COVER COMPONENTS



MACHINE FRAME & MISCELLANEOUS COVER COMPONENTS

No.	Parts No.	Parts name	Remarks	Level	Cons	Qty
1	11070851	FACE PLATE ASM.				1
2	11000304	FACE PLATE GASKET				1
3	SS6080410SP	SCREW 1/8-44 L=4				1
4	22900757	FACE PLATE OIL SHIELD ASM.				1
5	TA0850604R0	RUBBER PLUG				2
6	TA1250705R0	RUBBER PLUG				1
7	22958300	NEEDLE THREAD GUIDE PIN				1
8	SS4120915SP	SCREW 3/16-28 L=9				8
9	22954705	CORD FIXING METAL FITTING	EXCEPT DDL-5550N-7-00			1
10	22900401	WINDOW PLATE				1
11	11003308	GASKET				1
12	CM300200001	ATTENTION SEAL				1
13	CM301300001	SAFETY LABEL				1
14	22901805	GROUND MARK				1
15	SS4120615SP	SCREW 3/16-28 L=6				1
16	TA2000502R0	RUBBER PLUG				1
17	SS6121840SP	SCREW 3/16-28 L=18	FOR DDL-5550N-7-0B,-WB			1
18	22952501	BACK LEVER STOPPER	FOR DDL-5550N-7-0B,-WB			1
19	TA2101002R0	RUBBER PLUG				1
20	40111022	MAGNET CORD RUBBER	FOR DDL-5550N-7-0B,-WB			1
21	22945463	THREAD TENSION ASM. NO.1				1
22	22945406	THREAD TENSION POST		*		1
23	22945604	THREAD TENSION GUIDE		*		1
24	22945802	THREAD TENSION DISK		*		2
25	22945505	THREAD TENSION SPRING		*		1
26	22945703	THREAD TENSION NUT		*		1
27	SS4120615SP	SCREW 3/16-28 L=6				1
28	22900609	THREAD TAKE-UP LEVER COVER				1
29	SS4120615SP	SCREW 3/16-28 L=6				1
30	22920508	ARM THREAD GUIDE A				1
31	22921001	SCREW				1
32	22945356	THREAD TENSION ASM.				1
33	22921308	THREAD TENSION NUT		*		1
34	22921407	ROTATION STOPPER		*		1
35	22921704	THREAD TENSION SPRING A		*		1
36	22921803	DISK STOPPER		*		1
37	22921506	THREAD TENSION DISK		*		2
38	22921209	THREAD TENSION POST		*		1
39	22921605	THREAD TAKE-UP SPRING		*		1
40	22945307	THREAD TENSION POST BASE		*		1
41	SS8090670SP	SCREW 9/64-40 L=5.5		*		1
42	SS8150710TP	SCREW 15/64-28 L=7				1
43	22920904	PIN				1
44	B1109012I0B	THROAT PLATE (I)				1
45	SS2110920TP	SCREW 11/64-40 L=8.5				1
46	SS2110915SP	SCREW 11/64-40 L=8.5				1
47	22920607	ARM THREAD GUIDE B				1

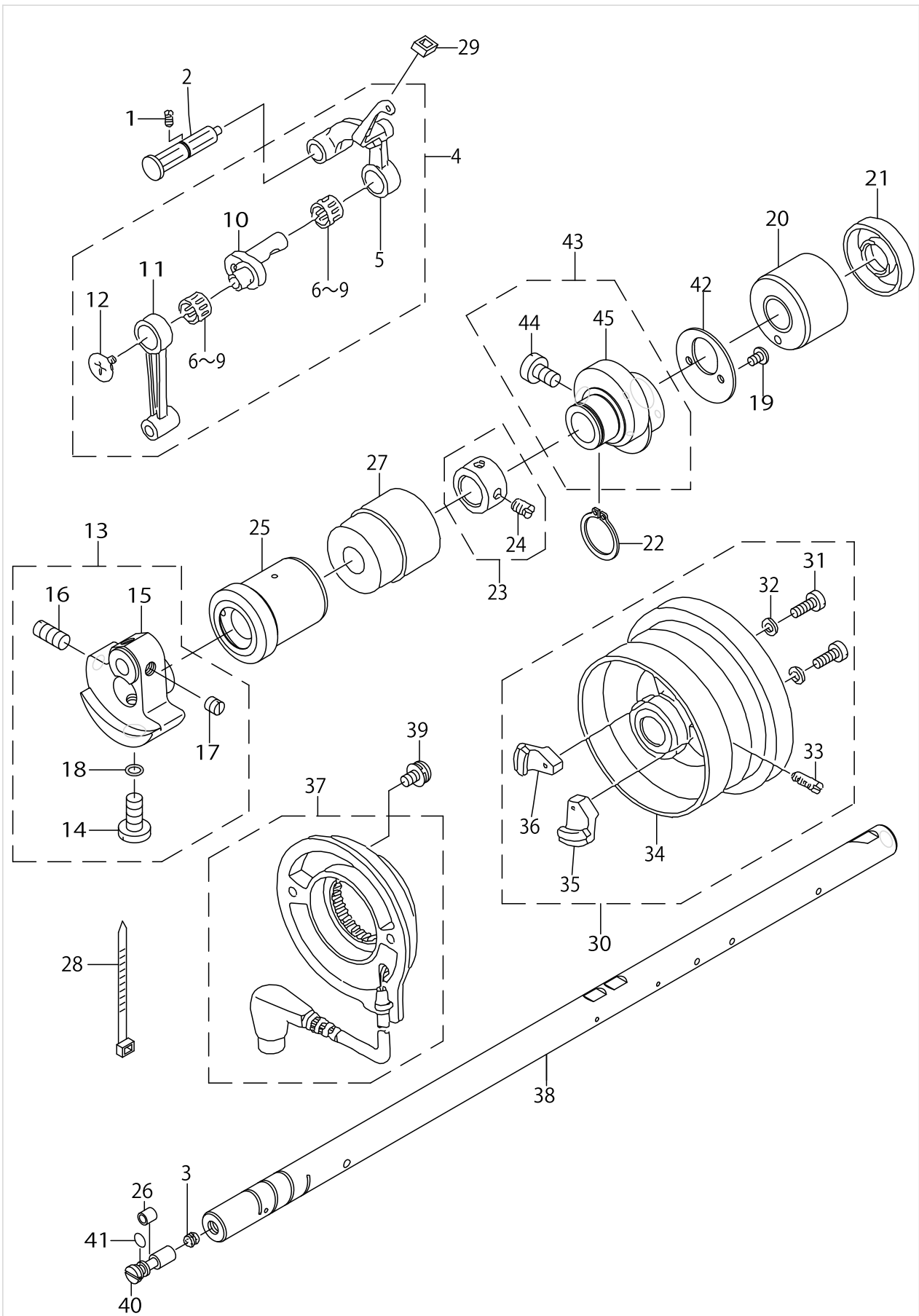
MACHINE FRAME & MISCELLANEOUS COVER COMPONENTS



MACHINE FRAME & MISCELLANEOUS COVER COMPONENTS

No.	Parts No.	Parts name	Remarks	Level	Cons	Qty
48	SS6110610TP	SCREW 11/64-40 L=6				1
49	TA1250406R0	RUBBER PLUG D=12.5 L=4				2
50	SS4120915SP	SCREW 3/16-28 L=9				3
51	22901250	SLIDE PLATE ASM.				1
52	22902753	SLIDE PLATE ASM.	FOR JH			1
53	22901201	SLIDE PLATE		*		1
54	22901300	SLIDE PLATE SPRING		*		1
55	SS6060210SP	SCREW 3/32-56 L=1.9		*		2
56	WT0530002KS	TOOTHED WASHER D=5.3				1
57	22935407	BED OIL SHIELD RUBBER				1
58	11415205	THREAD TAKE-UP LEVER COVER(JE)	FOR JE			1
59	11030202	RUBBER BUSHING	FOR DDL-5550N-7-00			1
60	B1109552000	THROAT PLATE	FOR JA			1
61	22901003	BED SCREW STUD				4

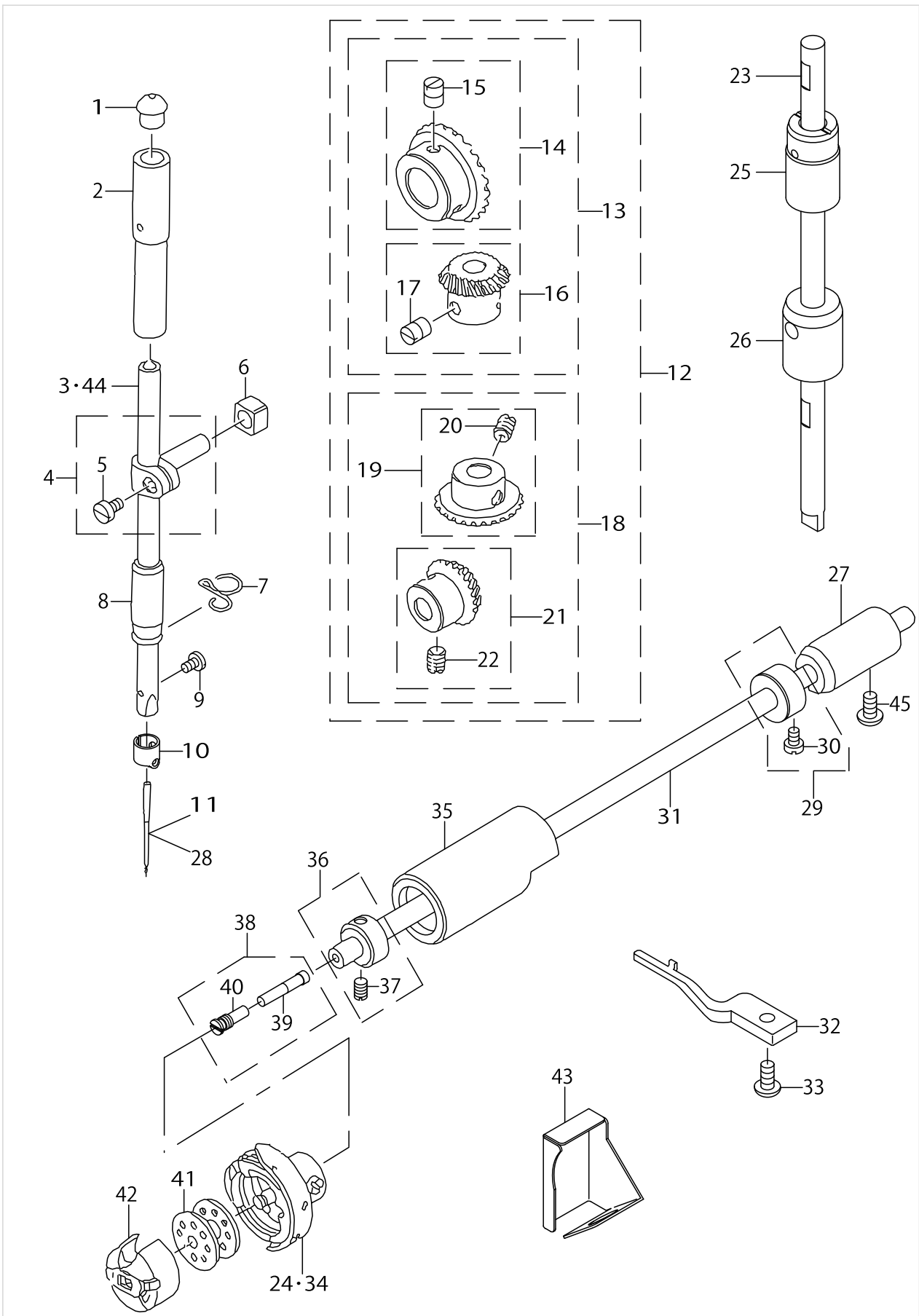
MAIN SHAFT COMPONENTS



MAIN SHAFT COMPONENTS

No.	Parts No.	Parts name	Remarks	Level	Cons	Qty
1	SS8151150TP	SCREW 15/64-28 L=10.5				1
2	22919559	THREAD TAKE-UP CRANK SHAFT ASM				1
3	11002904	ROLLER FELT				1
4	22918072	THREAD TAKE-UP LEVER COMPL.				1
5	22918064	THREAD TAKE-UP LEVER ASM.		*		1
6	22918403	NEEDLE BEARING A	SELECTIVE PARTS(A~D)	*		2
7	22918502	NEEDLE BEARING B	SELECTIVE PARTS(A~D)	*		2
8	22918601	NEEDLE BEARING C	SELECTIVE PARTS(A~D)	*		2
9	22918700	NEEDLE BEARING D	SELECTIVE PARTS(A~D)	*		2
10	22918106	NEEDLE BAR CRANK		*		1
11	22906606	NEEDLE BAR CRANK ROD		*		1
12	22918304	LEFT SCREW		*		1
13	40106606	COUNTER_WEIGHT_ASM.				1
14	SS7681650TP	SCREW 9/32-28 L=16		*		1
15	40106607	COUNTER_WEIGHT		*		1
16	SS8681650TP	SCREW 9/32-28 L=16		*		1
17	SS8660610TP	SCREW 1/4-40 L=6		*		2
18	RO044240100	RUBBER RING		*		1
19	SS4090615SP	SCREW 9/64-40 L=6				2
20	11002409	MAIN SHAFT BUSHING REAR				1
21	40105231	OIL SEAL				1
22	RC1850001KP	SNAP RING 18.5				1
23	22904155	MAIN SHAFT THRUST COLLAR ASM.				1
24	SS8660610TP	SCREW 1/4-40 L=6		*		2
25	22903207	MAIN SHAFT BUSHING FRONT				1
26	B1215552000	OIL ADJUSTING COLLAR				1
27	22903306	BUSHING INTERMEDIATE				1
28	EA9500B0100	CABLE BAND				1
29	22919203	OIL PROTECTING RUBBER				1
30	11071495	HAND WHEEL ASM.				1
31	SS6111210SP	SCREW 11/64-40 L=12		*		2
32	WP0450801SD	WASHER 4.5X10X0.8		*		2
33	SS8151550SP	SCREW 15/64-28 L=15		*		2
34	11071453	HAND WHEEL ASM.		*		1
35	M40071100AA	MAGNET FITTING BASE A ASM.		*		1
36	M40071100AB	MAGNET FITTING BASE B ASM.		*		1
37	22937965	DYNAMO STATOR				1
38	22903009	MAIN SHAFT				1
39	SL4051001MZ	SCREW M5 L=9.6				2
40	22903900	ADJUSTING PIN				1
41	RO029180100	RUBBER RING				1
42	22910103	THRUST COLLAR				1
43	22910053	FEED DRIVE ECCENTRIC CAM ASM.				1
44	SS6661110SP	SCREW 1/4-40 L=11		*		2
45	22910004	FEED DRIVE ECCENTRIC CAM		*		1

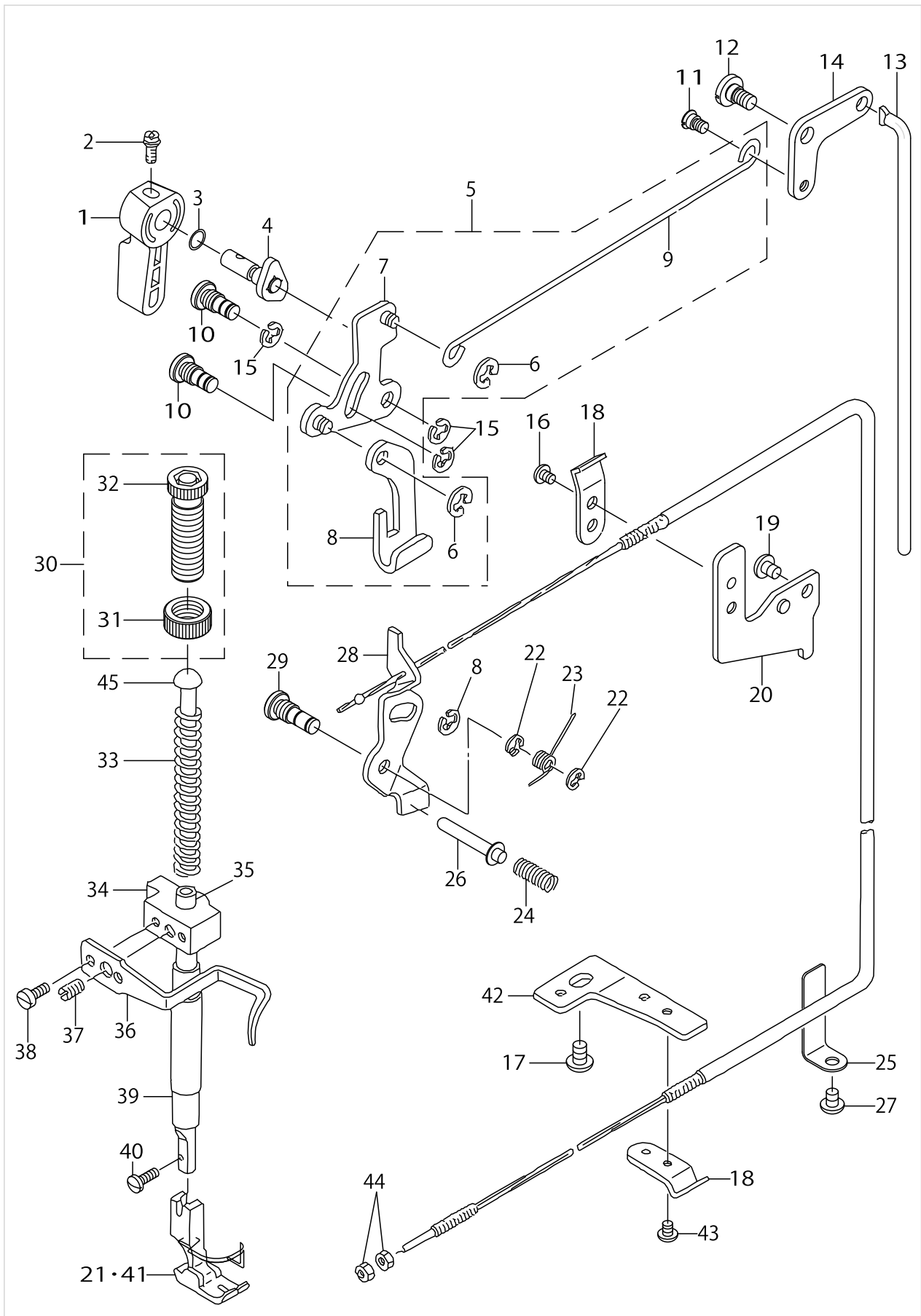
NEEDLE BAR, UPRIGHT SHAFT & HOOK DRIVING SHAFT COMPONENTS



NEEDLE BAR, UPRIGHT SHAFT & HOOK DRIVING SHAFT COMPONENTS

No.	Parts No.	Parts name	Remarks	Level	Cons	Qty
1	22901409	NEEDLE BAR UPPER BUSH CAP				1
2	22906101	NEEDLE BAR BUSHING UPPER				1
3	11035003	NEEDLE BAR				1
4	22906457	NEEDLE BAR HOLDER ASM.				1
5	SS6090670TP	SCREW 9/64-40 L=6		*		1
6	40090058	SLIDE BLOCK				1
7	22920805	NEEDLE BAR THREAD GUIDE				1
8	22906200	NEEDLE BAR BUSHING LOWER				1
9	SS7080510TP	SCREW 1/8-44 L=4.5				1
10	22906309	NEEDLE BAR THREAD GUIDE				1
11	MDB100B1400	NEEDLE DBX1 #14				1
12	B13061550C0	GEAR & PINION ASM.				1
13	B13061550B0	GEAR & PINION ASM. UPPER		*		1
14	B13050120A0	GEAR ASM.		*		1
15	SS8660810TP	SCREW 1/4-40 L=8		*		2
16	B13061550A0	PINION ASM.		*		1
17	SS8660810TP	SCREW 1/4-40 L=8		*		2
18	B13071550B0	GEAR & PINION ASM. LOWER		*		1
19	B13071550A0	GEAR ASM. LARGE		*		1
20	SS8660810TP	SCREW 1/4-40 L=8		*		2
21	B13081550A0	PINION ASM.		*		1
22	SS8660810TP	SCREW 1/4-40 L=8		*		2
23	22905004	UPRIGHT SHAFT				1
24	11141355	HOOK ASM.				1
25	22905103	UPRIGHT SHAFT BUSHING UPPER				1
26	11004207	UPRIGHT SHAFT BUSHING LOWER				1
27	22916308	HOOK DRIVING SHAFT BUSH REAR				1
28	MC200500750	NEEDLE 134 NM75	FOR JE			1
29	22917157	THRUST COLLAR ASM. REAR				1
30	SS6110420TP	SCREW 11/64-40 L=4.8		*		2
31	22916001	HOOK DRIVING SHAFT				1
32	11038809	BOBBIN CASE HOLDER				1
33	SS4110915TP	SCREW 11/64-40 L=9				1
34	11038650	HOOK ASM.	FOR JH			1
35	22916100	HOOK DRIVING SHAFT BUSH FRONT				1
36	22917058	THRUST COLLAR ASM. FRONT				1
37	SS8110410TP	SCREW 11/64-40 L=3.5		*		2
38	22916555	OIL SEAL SCREW ASM.				1
39	11015906	OIL WICK		*		1
40	22916506	SET SCREW		*		1
41	22932909	BOBBIN				1
42	11038759	BOBBIN CASE ASM.				1
43	22942601	OIL SHIELD				1
44	11141207	NEEDLE BAR	FOR JE			1
45	SS4120915SP	SCREW 3/16-28 L=9				1

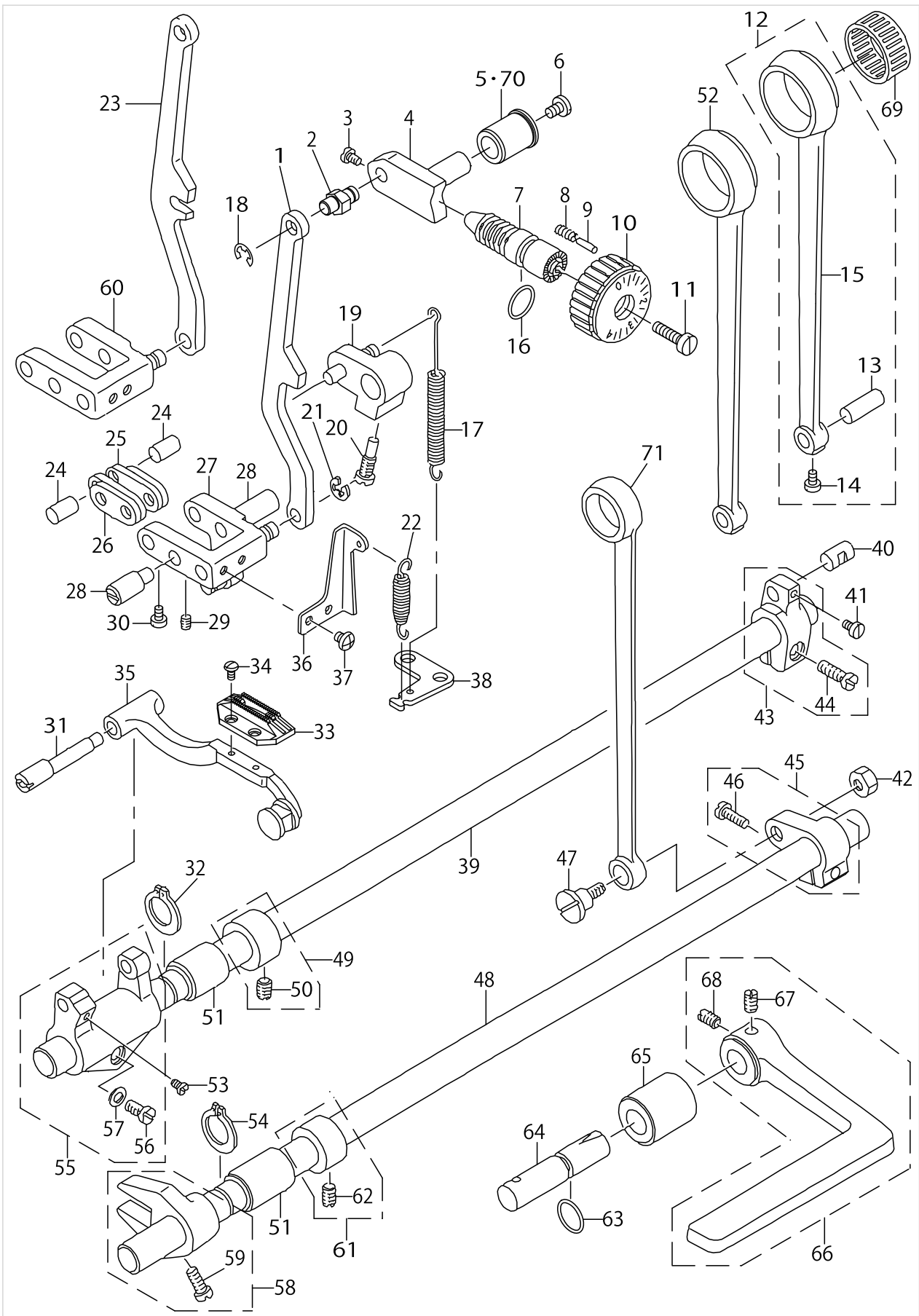
HAND LIFTER COMPONENTS



HAND LIFTER COMPONENTS

No.	Parts No.	Parts name	Remarks	Level	Cons	Qty
1	22907802	HAND LIFTER				1
2	B1521555000	SCREW				1
3	RO037180100	RUBBER RING				1
4	22908552	HAND LIFTER CAM ASM.				1
5	22908354	KNEE LIFTING CROSS ROD ASM.				1
6	RE0500000K0	E-RING		*		2
7	22908156	LIFTING LINK ASM.		*		1
8	22908008	LIFTING PLATE		*		1
9	22908305	KNEE LIFTER SIDE ROD		*		1
10	22908701	LINK SHAFT				2
11	22908909	HINGE SCREW				1
12	SD0720331SP	HINGE SCREW D=7.24 H=3.3				1
13	22909006	KNEE LIFTER CONNECTING ROD				1
14	22908800	KNEE LIFTER LINK				1
15	RE0500000K0	E-RING				3
16	SS4110515SP	SCREW 11/64-40 L=5				1
17	SS4150915SP	SCREW 15/64-28 L=9	FOR DDL-5550N-7-00			1
18	22944508	WIRE PRESSER A				2
19	SS4120615SP	SCREW 3/16-28 L=6				1
20	22944607	WIRE PRESSER BASE UPPER				1
21	B15245520BA	PRESSER FOOT ASM.	FOR JA			1
22	RE0500000K0	E-RING				2
23	22920201	RETURN SPRING				1
24	22920409	THREAD RELEASE PIN SPRING				1
25	22945109	WIRE CABLE SUPPORT				1
26	22920300	THREAD RELEASE SUPPORTING PIN				1
27	SS4120615SP	SCREW 3/16-28 L=6				1
28	22944854	THREAD RELEASE WIRE ASM.				1
29	22920102	TENSION RELEASE SHAFT				1
30	22907554	PRESSER SPRING REG NUT ASM.				1
31	22907604	PRESSER SPRING REGULATOR NUT		*		1
32	22907505	PRESSER SPRING REGULATOR		*		1
33	22907406	PRESSER SPRING				1
34	22907208	PRESSER BAR GUIDE BRACKET				1
35	40017805	PRESSER BAR				1
36	22907307	THREAD GUIDE				1
37	SS8660810TP	SCREW 1/4-40 L=8				1
38	SS6090910SP	SCREW 9/64-40 L=9				2
39	40060989	PRESSER BAR BUSHING LOWER				1
40	SS7091110TP	SCREW 9/64-40 L=10.5				1
41	B15240120BA	PRESSER FOOT ASM.				1
42	22944706	WIRE PRESSER BASE LOWER				1
43	SS4110515SP	SCREW 11/64-40 L=5				1
44	NS6620310SP	NUT 3/16-32				2
45	22907703	PRESSER GUIDE BAR				1

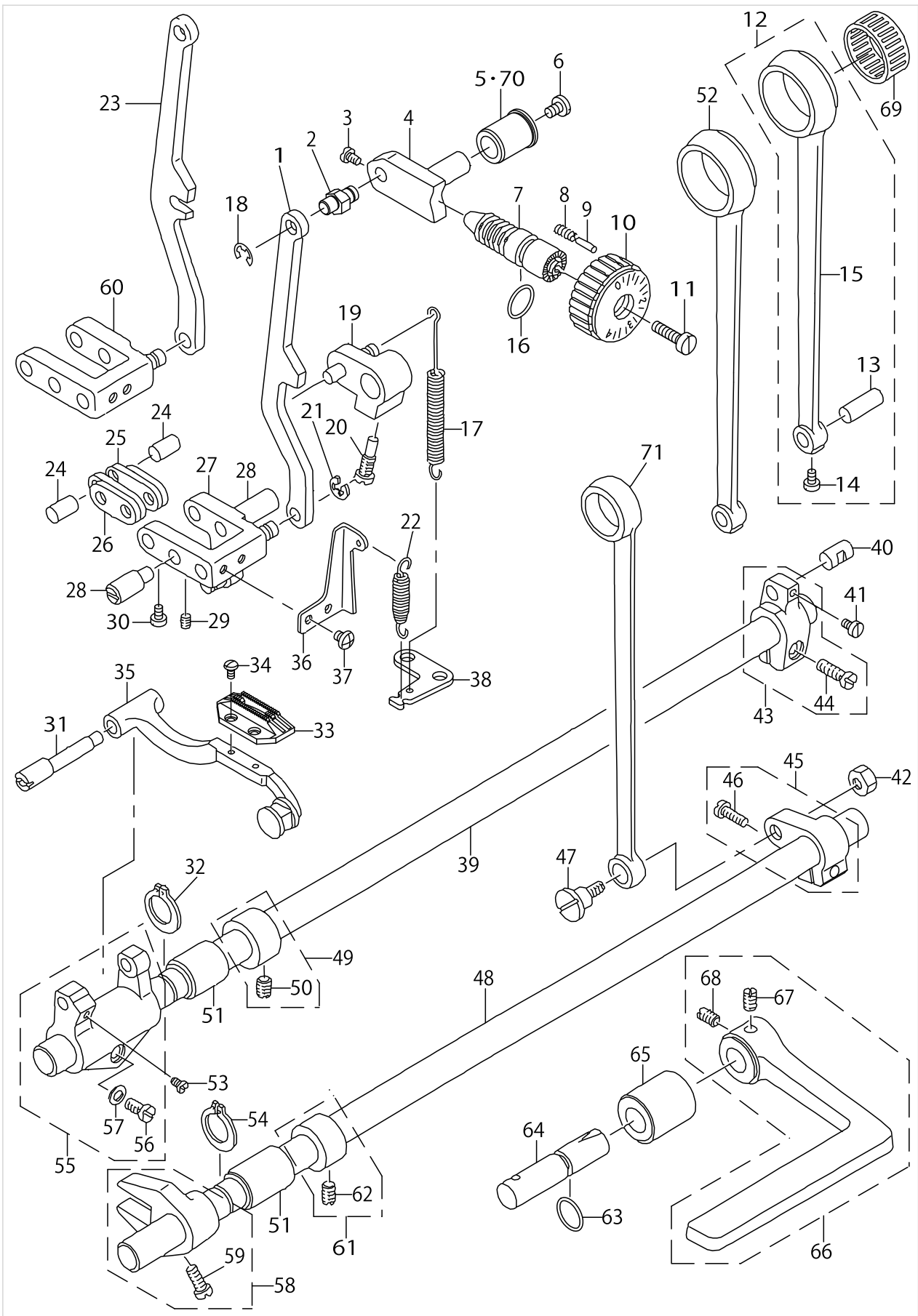
FEED MECHANISM COMPONENTS



FEED MECHANISM COMPONENTS

No.	Parts No.	Parts name	Remarks	Level	Cons	Qty
1	22941108	FEED ADJUST ROD	FOR DDL-5550N-7-0B,-WB			1
2	22911507	WALKING FOOT PIN C				1
3	SS6090670TP	SCREW 9/64-40 L=6				2
4	22911606	FEED REGULATOR				1
5	22911705	FEED REGULATOR BUSHING	FOR DDL-5550N-7-00			1
6	SS7120770SH	SCREW 3/16-28 L=7				1
7	22911804	FEED REGULATOR SCREW				1
8	22912109	FEED REGULATOR PIN SPRING				1
9	22912000	FEED REGULATOR PIN				1
10	22940506	FEED DIAL				1
11	SS6121860SP	SCREW 3/16-28 L=18				1
12	22910251	ROCKER SHAFT CONNECTING ROD				1
13	22911101	WALKING FOOT PIN C		*		1
14	SS6090620TP	SCREW		*		1
15	22910202	ROCKER SHAFT CONNECTING ROD		*		1
16	RO092270200	RUBBER RING				1
17	11010311	FEED REVERSE SPRING				1
18	RE0500000K0	E-RING				1
19	22912257	FEED REVERSE ARM ASM.				1
20	22912505	FEED REVERSE ARM SCREW				1
21	RE0500000K0	E-RING				1
22	11037405	SPRING				1
23	22911408	FEED REGULATOR CONNCTING ROD	FOR DDL-5550N-7-00			1
24	22910905	WALKING FOOT PIN A				2
25	40089548	CONNECTING LINK B				2
26	40093417	CONNECTING LINK A				2
27	22940951	FEED ADJUST LINK ASM.	FOR DDL-5550N-7-0B,-WB			1
28	22910806	ADJUST LINK FULCRUM SHAFT A				2
29	SS8150710TP	SCREW 15/64-28 L=7				2
30	SS6090620TP	SCREW				2
31	22940803	FEED BAR SHAFT				1
32	RC0150001KP	RETAINING RING 13.8				1
33	B1613012I00	FEED DOG I				1
34	SS4080620TP	SCREW 1/8-44 L=6				2
35	22940753	FEED BAR ASM.				1
36	22941306	REGULATOR LINK SPRING HOOK				1
37	SS4110515SP	SCREW 11/64-40 L=5				2
38	22913701	FEED SPRING HOOK				1
39	22912901	FEED ROCKER SHAFT				1
40	22911002	WALKING FOOT PIN B				1
41	SS6090620TP	SCREW				1
42	NS6680410SP	NUT 9/32-28				1
43	22910350	FEED ROCKER SHAFT CRANK ASM.				1
44	SS6121610SP	SCREW 3/16-28 L=15.5		*		1
45	22915151	FEED ARM COMPL.				1
46	SS7121610SP	SCREW 3/16-28 L=15.5		*		1
47	SD1000801SH	HINGE SCREW D=10 H=8				1

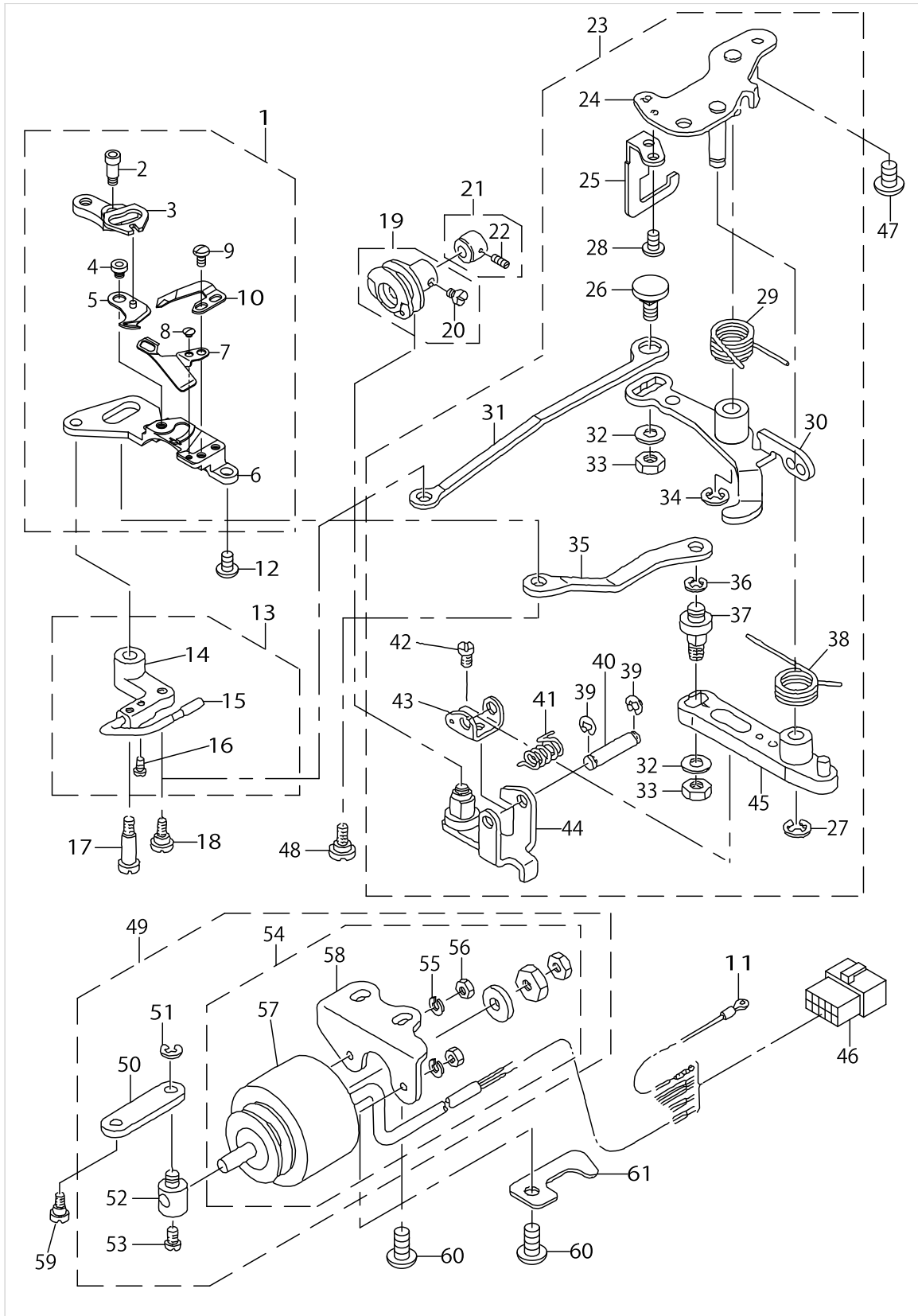
FEED MECHANISM COMPONENTS



FEED MECHANISM COMPONENTS

No.	Parts No.	Parts name	Remarks	Level	Cons	Qty
48	22915201	FEED DRIVING SHAFT				1
49	22904155	MAIN SHAFT THRUST COLLAR ASM.				1
50	SS8660610TP	SCREW 1/4-40 L=6		*		2
51	22913008	FEED ROCKER SHAFT BUSHING				2
52	11011400	HORIZONTAL FEED ROD (A)	FOR JE,JA			1
53	SS7110740TP	SCREW 11/64-40 L=7				1
54	RC0150001KP	RETAINING RING 13.8				1
55	22940654	FEED ROCKER ASM.				1
56	SS7121410TP	SCREW 3/16-28 L=14		*		1
57	WP0480856SP	WASHER 4.8X8.4X0.8		*		1
58	22915359	DRIVING SHAFT CRANK ASM.				1
59	SS7111120SP	SCREW 11/64-40 L=10.5		*		1
60	22910459	FEED ADJUSTING LINK ASM.	FOR DDL-5550N-7-00			1
61	22904155	MAIN SHAFT THRUST COLLAR ASM.				1
62	SS8660610TP	SCREW 1/4-40 L=6		*		2
63	RO078190100	RUBBER RING				1
64	40100084	FEED LEVER SHAFT				1
65	22912802	FEED LEVER SHAFT BUSHING				1
66	22912752	FEED LEVER ASM.				1
67	SM8061050TP	SCREW		*		1
68	SM8061010TP	SCREW		*		1
69	B1636581C00	NEEDLE BEARING	SELECTIVE PART(FOR JE,JA)			1
70	11009800	FEED REGULATOR BUSHING	FOR DDL-5550N-7-0B,-WB			1
71	22915003	CONNECTING ROD				1

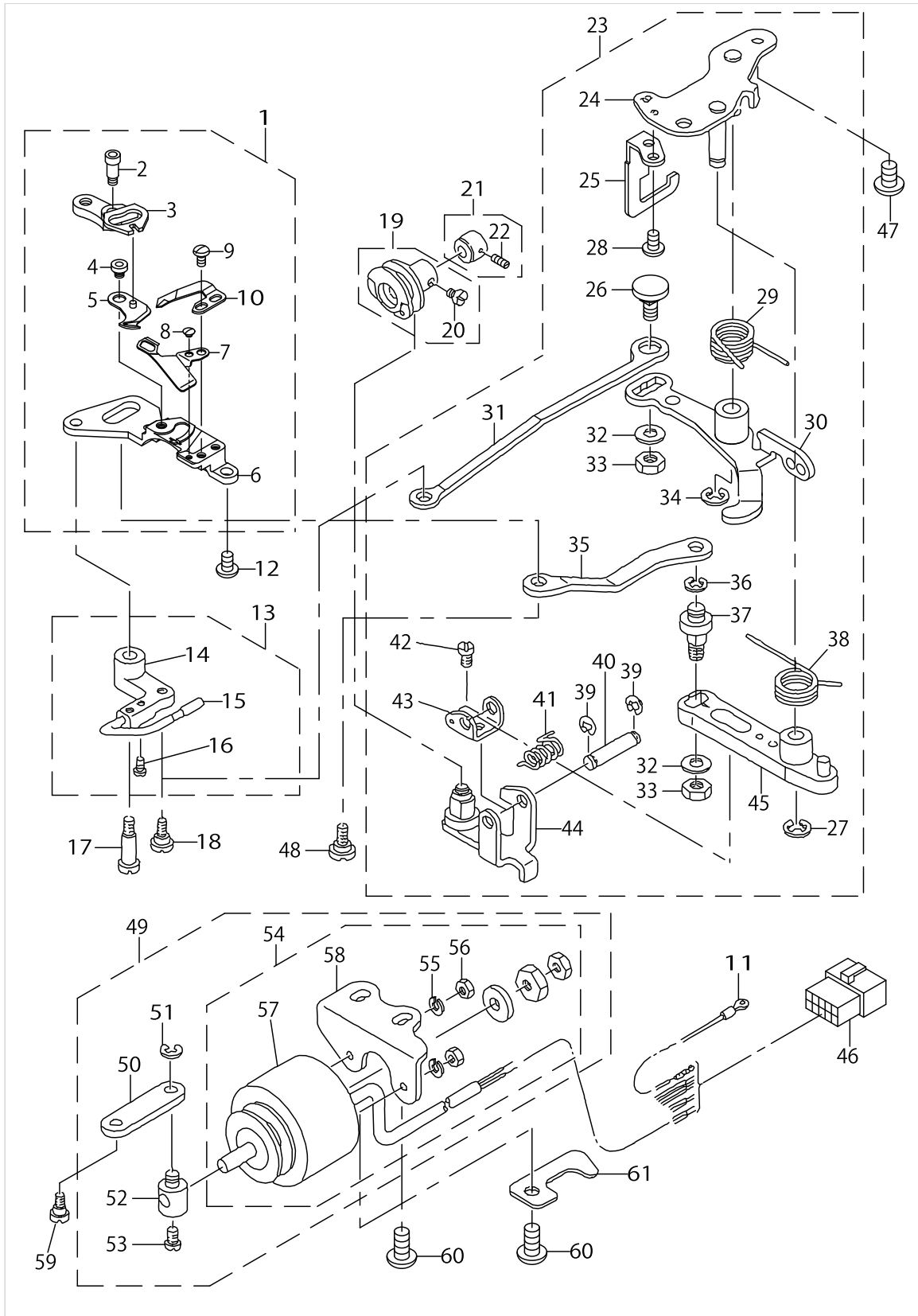
THREAD TRIMMER COMPONENTS



THREAD TRIMMER COMPONENTS

No.	Parts No.	Parts name	Remarks	Level	Cons	Qty
1	11040359	KNIFE UNIT				1
2	SD0460703TP	HINGE SCREW D=4.6 H=7		*		1
3	11040508	FORKED BASE FOR KNIFE		*		1
4	11040409	MOVING KNIFE HINGE SCREW		*		1
5	11040052	MOVING KNIFE ASM.		*		1
6	22947907	KNIFE MOUNTING BASE		*		1
7	11313103	THREAD GUIDE FOR KNIFE		*		1
8	SS2060210SP	SCREW 3/32-56 L=2.3		*		1
9	SS4080620TP	SCREW 1/8-44 L=6		*		2
10	D2406555D0H	COUNTER KNIFE		*		1
11	22951552	GROUND WIRE ASM.				1
12	SS4110715SP	SCREW 11/64-40 L=7				1
13	22950257	PICKER ARM ASM.				1
14	22950208	PICKER ARM		*		1
15	22950356	HOOK THREAD PRESSER ASM.		*		1
16	SS6090510TP	SCREW 9/64-40 L=5.0		*		2
17	SD0641451SP	HINGE SCREW D=6.35 H=14.5				1
18	SD0630275SP	HINGE SCREW D=6.35 H=2.7				1
19	22950851	THREAD TRIMMER CAM ASM.				1
20	SS6660610TP	SCREW 1/4-40 L=6		*		2
21	22950950	CAM COLLAR ASM.				1
22	SS8110520TP	SCREW 11/64-40 L=4.5		*		1
23	22949762	THREAD TRIMMER DRIVING UNIT				1
24	22949754	BASE PLATE ASM.		*		1
25	22950703	DRIVING ARM STOPPER		*		1
26	22950000	PICKER LINK PIN		*		1
27	RE0600000K0	E-RING 6		*		1
28	SS4110715SP	SCREW 11/64-40 L=7		*		2
29	22949408	CLUTCH SPRING		*		1
30	40087245	CLUTCH PLATE ASM.		*		1
31	22950109	PICKER LINK		*		1
32	WP0621016SH	WASHER		*		2
33	NS6150430SP	NUT 15/64-28		*		2
34	RE0600000K0	E-RING 6		*		1
35	22948301	MOVING KNIFE LINK		*		1
36	RE0500000K0	E-RING		*		1
37	22948400	MOVING KNIFE LINK PIN		*		1
38	11043700	KNIFE RETURN SPRING B		*		1
39	RE0400000K0	E-RING 4		*		2
40	22949101	ROLLER FULCRUM SHAFT		*		1
41	22949200	ROLLER RETURN SPRING		*		1
42	SS7090610SP	SCREW 9/64-40 L=6		*		1
43	22949002	ROLLER ARM SEAT		*		1
44	11040953	ROLLER ARM ASM.		*		1
45	11040854	KNIFE DRIVING ARM ASM.		*		1
46	HK034610140	HOUSING 14P				1
47	SS4150915SP	SCREW 15/64-28 L=9				2

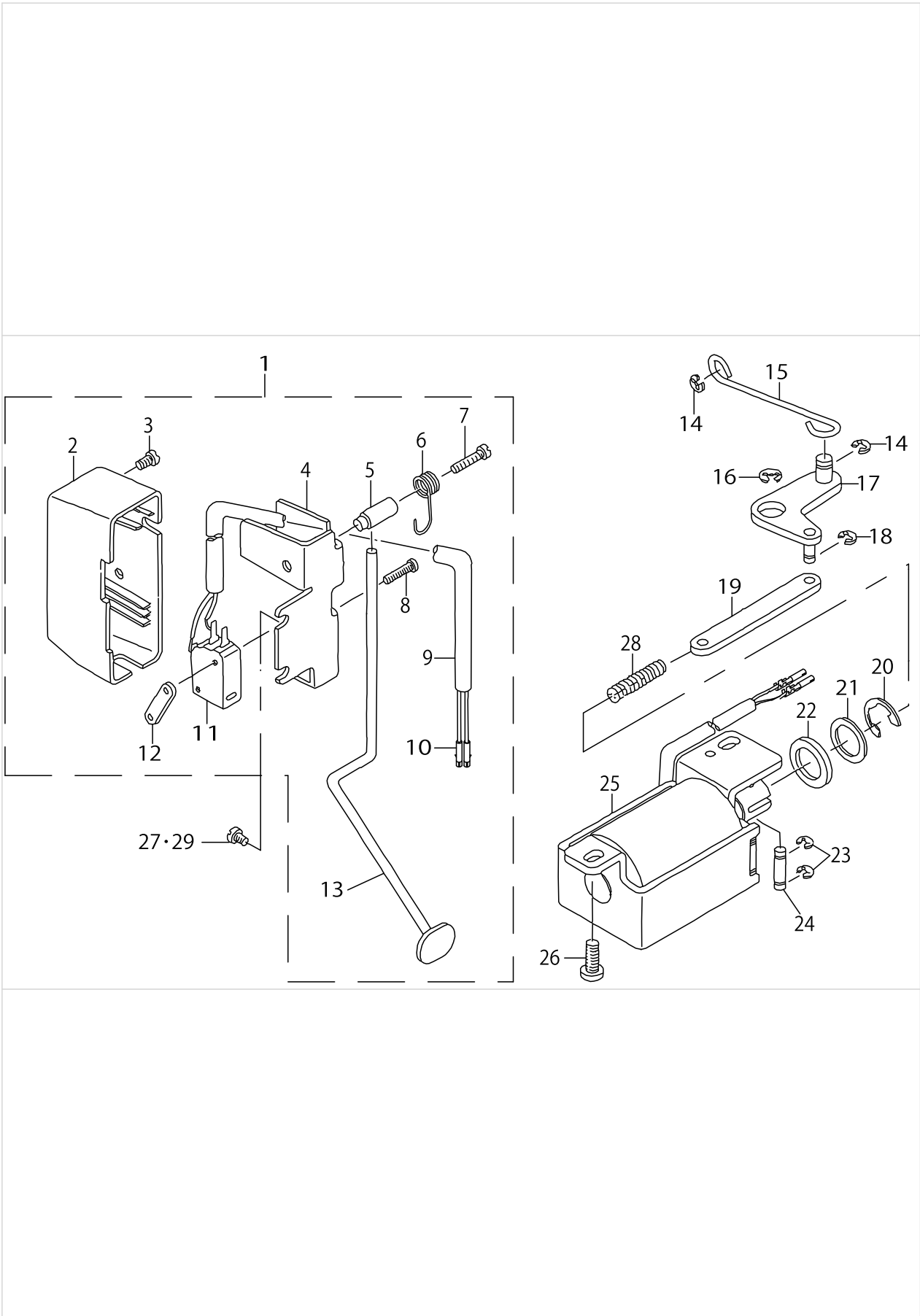
THREAD TRIMMER COMPONENTS



THREAD TRIMMER COMPONENTS

No.	Parts No.	Parts name	Remarks	Level	Cons	Qty
48	SD0640631TP	HINGE SCREW D=6.35 H=6.3				1
49	22951164	SOLENOID UNIT				1
50	22949903	CLUTCH LINK		*		1
51	RE0500000K0	E-RING		*		1
52	22951008	SOLENOID PIN		*		1
53	SS6110710TP	SCREW 11/64-40 L=6.5		*		1
54	40106930	THREAD TRIMMER SOLENOID ASM.		*		1
55	WS0410002KP	SPRING WASHER		*		2
56	NM6040001SE	NUT M4		*		2
57	40106931	THREAD TRIMMER SOLENOID		*		1
58	22951404	SOLENOID BASE		*		1
59	SD0600361SP	HINGE SCREW D=6 H=3.6				1
60	SS4151215SP	SCREW 15/64-28 L=12				2
61	22924807	PIPE HOLDER LOWER				1

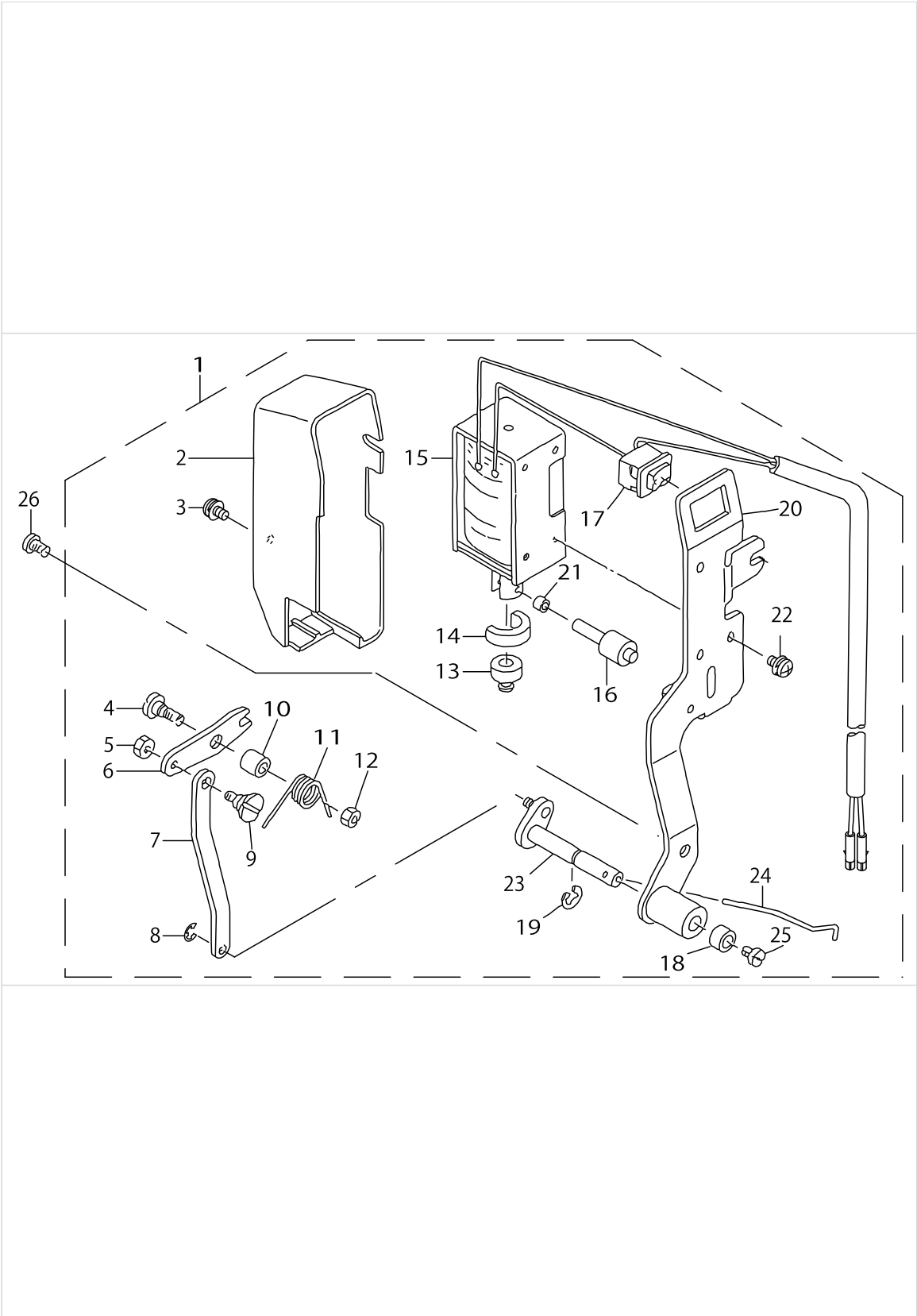
AUTOMATIC REVERSE FEED COMPONENTS



AUTOMATIC REVERSE FEED COMPONENTS

No.	Parts No.	Parts name	Remarks	Level	Cons	Qty
1	11075058	REVERSE FEED SWITCH ASM.				1
2	22954606	REVERSE FEED SWITCH COVER		*		1
3	SM4040655SP	SCREW M4 L=6		*		1
4	22954101	REVERSE FEED SWITCH BASE		*		1
5	22954200	REVERSE FEED SWITCH SHAFT		*		1
6	22954309	REVERSE FEED SWITCH SPRING		*		1
7	SM4041655SP	SCREW M4 L=16		*		1
8	SM4031501SC	SCREW M3 L=15		*		2
9	HW500070000	2-CORE CABTYRE CORD		*		1.31
10	HK03464000B	PIN CONTACT		*		2
11	HA001900000	MICROSWITCH		*		1
12	22954408	STOPPER PLATE		*		1
13	22954507	REVERSE FEED SWITCH LEVER		*		1
14	RE0500000KP	E-RING 5				2
15	11101300	REVERSE FEED CONNECTING SHAFT				1
16	RE0900000K0	E-RING 9				1
17	22953657	AUTO-BACK ARM ASM.				1
18	RE0400000KP	E-RING 4				1
19	22953905	CONNECTING LINK				1
20	RE1200000K0	E-RING 12				1
21	WP1602616SZ	WASHER 16X24X2.6				1
22	D2468555B00	RUBBER PLUNGER				1
23	RE0400000K0	E-RING 4				2
24	22953509	REVERSE FEED PLUNGER ARM PIN				1
25	40085585	REVERSE FEED SOLENOID ASM.				1
26	SS4151215SP	SCREW 15/64-28 L=12				2
27	SS4120915SP	SCREW 3/16-28 L=9				1
28	11217601	WALKING FOOT SPRING				1
29	SS4120615SP	SCREW 3/16-28 L=6	FOR DDL-5550N-7-0B			1

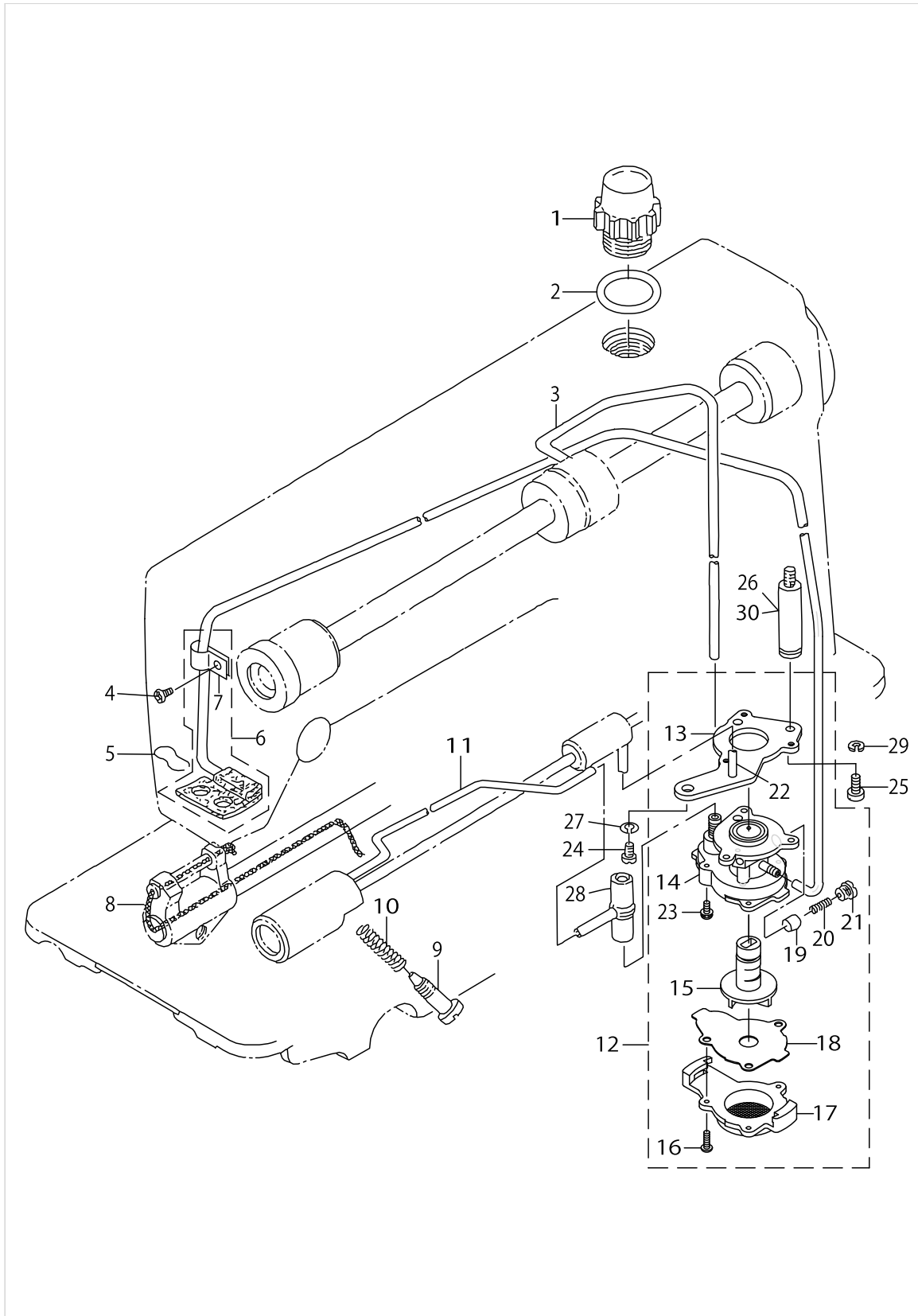
WIPER COMPONENTS



WIPER COMPONENTS

No.	Parts No.	Parts name	Remarks	Level	Cons	Qty
1	22955553	WIPER ASM.				1
2	22955504	WIPER COVER		*		1
3	SL4030631SC	SCREW M3X6		*		1
4	SD0650321TP	HINGE SCREW D=6.5 H=3.2		*		1
5	NS6090310SP	NUT 9/64-40		*		1
6	22956106	WIPER LINK A		*		1
7	22956403	WIPER LINK B		*		1
8	RE0250000K0	E-RING 2.5		*		1
9	22956908	WIPER LINK B HINGE SCREW		*		1
10	22956205	WIPER HINGE SCREW COLLAR		*		1
11	22956304	WIPER SPRING		*		1
12	NS6110310SP	NUT 11/64-40		*		1
13	22955900	WIPER RUBBER A		*		1
14	22956007	WIPER RUBBER B		*		1
15	40106936	WIPER SOLENOID ASM.		*		1
16	22957104	WIPER SOLENOID SHAFT		*		1
17	HA00600000A	SWITCH		*		1
18	22956809	WIPER COLLAR		*		1
19	RE0500000K0	E-RING		*		1
20	11110152	WIPER BASE ASM.		*		1
21	22957203	WIPER LINK COLLAR		*		1
22	SL4030641SE	SCREW		*		3
23	40041419	WIPER LINK C ASM.		*		1
24	22957005	WIPER		*		1
25	SS6090540SP	SCREW 9/64-40 L=5.0		*		1
26	SS4120915SP	SCREW 3/16-28 L=9				1

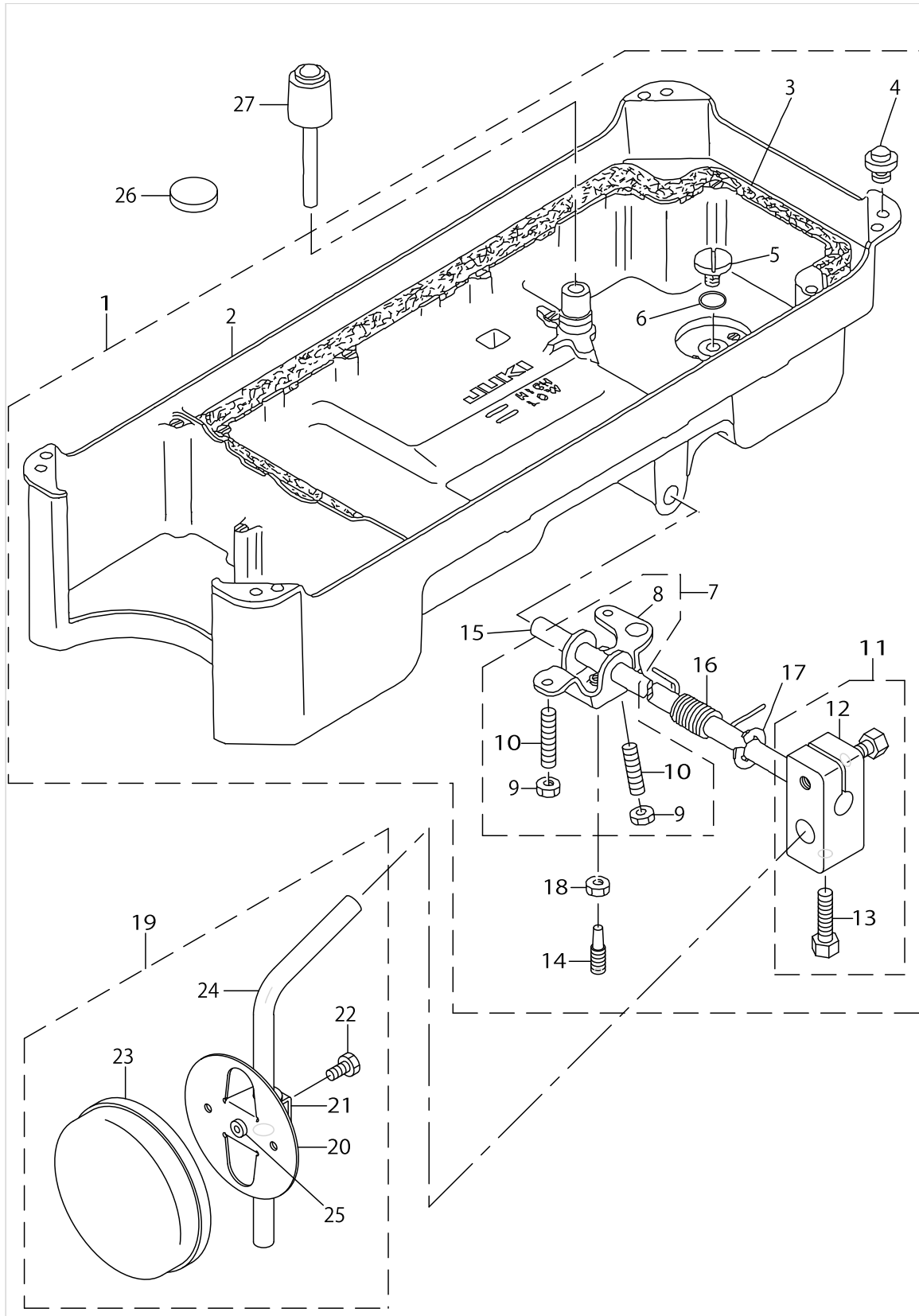
OIL LUBRICATION COMPONENTS



OIL LUBRICATION COMPONENTS

No.	Parts No.	Parts name	Remarks	Level	Cons	Qty
1	22947006	OIL SIGHT WINDOW				1
2	RO195240100	RUBBER RING				1
3	22924401	MAIN SHAFT OIL TUBE				1
4	SS4120615SP	SCREW 3/16-28 L=6				1
5	22925101	OIL FELT PRESSER				1
6	22924153	RETURN PIPE ASM.				1
7	22924302	RETURN PIPE HOLDER		*		1
8	CQ252000000	OIL WICK				0.3
9	22925002	OIL REGULATOR SCREW				1
10	22924906	OIL REGULATOR SCREW SPRING				1
11	22924500	HOOK OIL TUBE				1
12	22923056	OIL PUMP ASM.				1
13	22923312	OIL PUMP INSTALLING BASE		*		1
14	22923015	OIL PUMP		*		1
15	22923700	IMPELLER		*		1
16	SE4301041SR	SCREW D=3 L=10		*		3
17	22923205	PUMP BODY COVER		*		1
18	22923809	PUMP BODY SUPPORT PLATE		*		1
19	22923403	PLUNGER		*		1
20	22923601	PLUNGER SPRING		*		1
21	22923502	PLUNGER SCREW		*		1
22	22923908	HOOK DRIVING SHAFT OILING PIPE		*		1
23	SL4030851SF	SCREW M3 L=8		*		3
24	SS4150915SP	SCREW 15/64-28 L=9				1
25	SS6111010TP	SCREW 11/64-40 L=9.5				1
26	22947105	PUMP BODY STRUT	FOR DDL-5550N-7-0B,-WB			1
27	WS0651310KP	SPRING WASHER 6.5X11X1.3	FOR DDL-5550N-7-0B,-WB			1
28	22924609	RUBBER JOINT				1
29	WS0451040KP	SPRING WASHER 4.5X8.5X1	FOR DDL-5550N-7-0B,-WB			1
30	22924005	PUMP BODY STRUT	FOR DDL-5550N-7-00			1

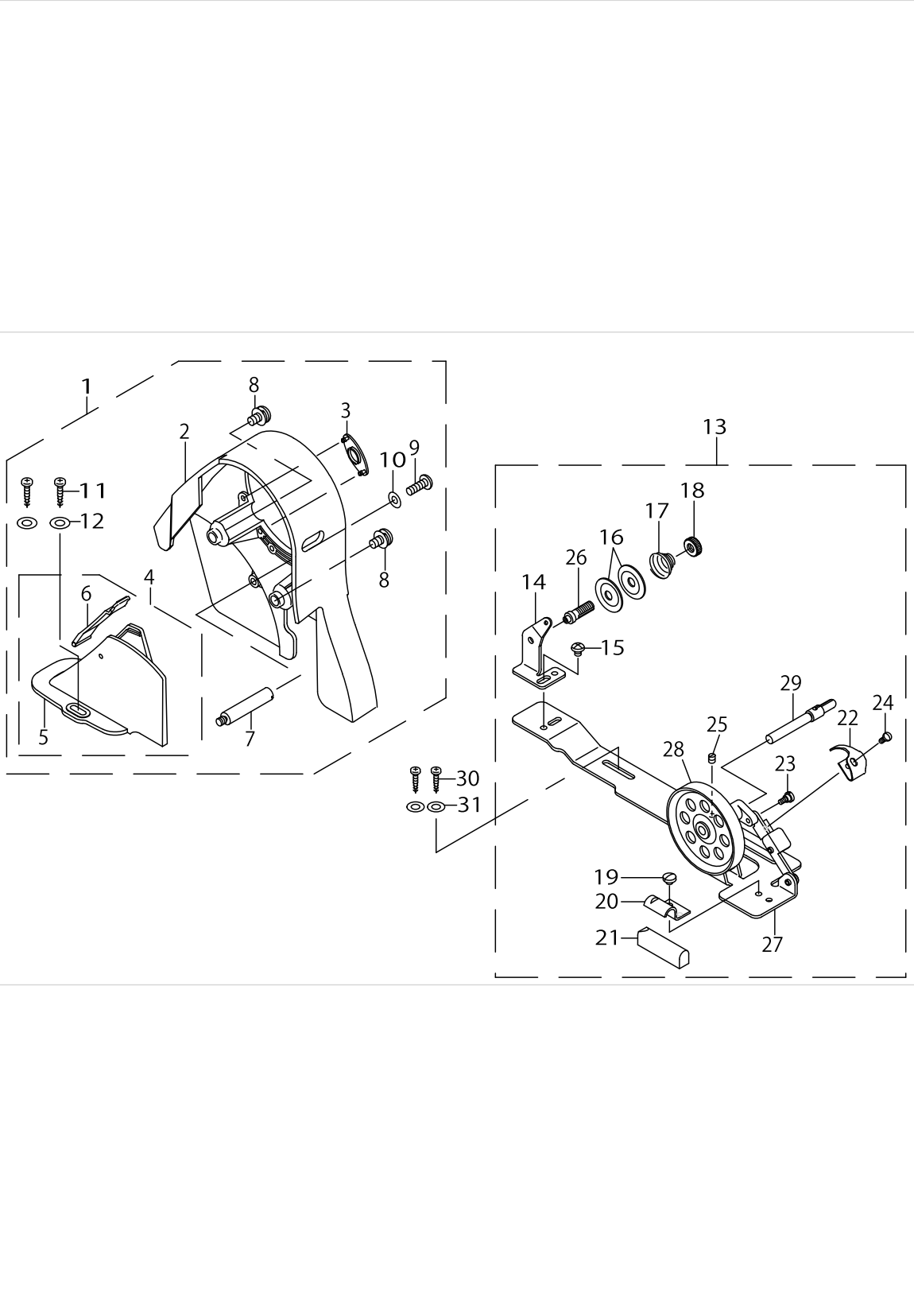
OIL RESERVOIR COMPONENTS



OIL RESERVOIR COMPONENTS

No.	Parts No.	Parts name	Remarks	Level	Cons	Qty
1	11047057	OIL RESERVOIR ASM.				1
2	11023017	OIL RESERVOIR		*		1
3	11024700	GASKET		*		1
4	11047107	RUBBER CUSHION		*		4
5	SS6700710SH	SCREW 5/16-24 L=7		*		1
6	RO098240100	RUBBER RING		*		1
7	22932156	KNEE LIFTER ROTATION ARM ASM.		*		1
8	22932107	KNEE LIFTER ROTATION ARM		*		1
9	NM6060001SE	NUT M6		*		2
10	SM8063012TR	SCREW M6 L=30		*		2
11	22932453	BRACKET ASM.		*		1
12	22932404	BRACKET		*		1
13	22934707	SCREW		*		2
14	40101720	SCREW_M6		*		1
15	22932305	KNEE PRESS ROD		*		1
16	22932206	SPRING		*		1
17	RE1000000K0	E-RING 10		*		1
18	NM6060001SE	NUT M6		*		1
19	22934251	KNEE PAD PLATE ASM.				1
20	22934202	KNEE PAD PLATE		*		1
21	22934301	KNEE PAD PLATE SUPPORT		*		1
22	SM9061203SE	SCREW M6 L=12		*		1
23	22934509	KNEE PAD PLATE COVER		*		1
24	22934608	KNEE PAD UPRIGHT SHAFT		*		1
25	22934400	KNEE PAD PLATE RUBBER		*		1
26	B8228125000	OIL RESERVOIR MAGNET				1
27	11024304	KNEE PRESS LIFTER ROD				1

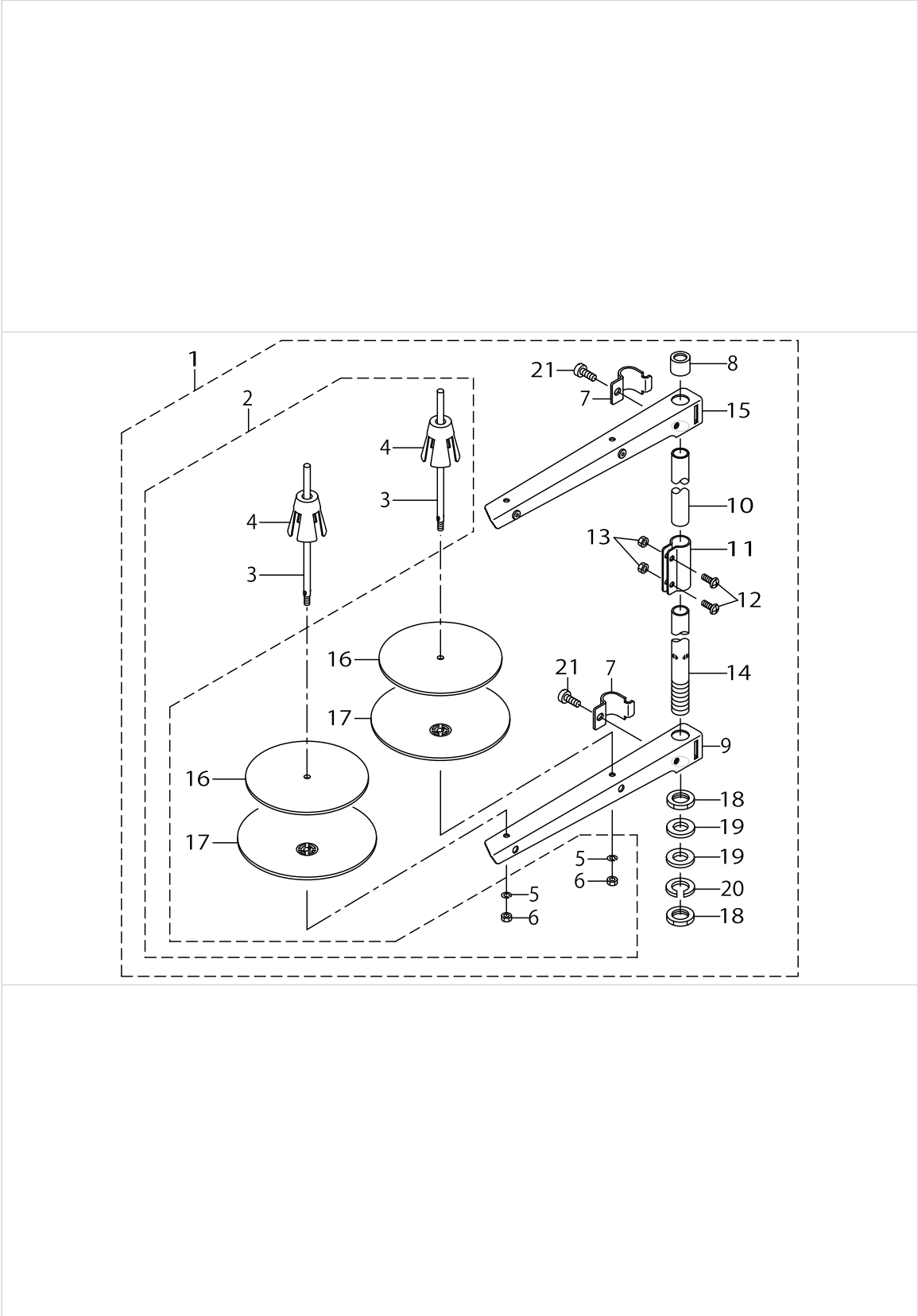
BELT COVER & BOBBIN COMPONENTS



BELT COVER & BOBBIN COMPONENTS

No.	Parts No.	Parts name	Remarks	Level	Cons	Qty
1	22933451	BELT COVER ASM.				1
2	22933402	BELT COVER A		*		1
3	22933501	BELT COVER A CAP		*		1
4	22933659	BELT COVER B COMPL.		*		1
5	22933600	BELT COVER B		*		1
6	22933758	BELT COVER B LID ASM.		*		1
7	22933907	BELT COVER STRUT		*		1
8	22934004	SET SCREW		*		2
9	SS4121415SP	SCREW 3/16-28 L=14		*		1
10	WP0501016SD	WASHER 5X10.5X1		*		1
11	SK3412000SC	WOOD SCREW D=4.1 L=20		*		2
12	WP0450826SC	WASHER 4.5X10X0.8		*		2
13	22927354	BOBBIN WINDER COMPL.				1
14	22928501	THREAD TENSION POST BASE		*		1
15	SS4110515SP	SCREW 11/64-40 L=5		*		1
16	22928907	THREAD TENSION DISK		*		2
17	22929004	THREAD TENSION SPRING		*		1
18	22928808	NUT		*		1
19	SS7110350SP	SCREW 11/64-40 L=3.5		*		1
20	22928402	CONTROL RUBBER HOLDING PLATE		*		1
21	22928303	CONTROL RUBBER		*		1
22	22928105	BOBBIN PRESSER		*		1
23	SD0490261SP	HINGE SCREW D=4.9 H=2.6		*		1
24	SS7081310SP	SCREW 1/8-44 L=12.5		*		1
25	SS8110510SP	SCREW 11/64-40 L=5		*		1
26	22928709	THREAD TENSION POST		*		1
27	22927305	BOBBIN WINDER BASE		*		1
28	22927404	BOBBIN WINDER		*		1
29	22927602	BOBBIN WINDER SPINDLE		*		1
30	SK3412000SC	WOOD SCREW D=4.1 L=20				2
31	WP0450826SC	WASHER 4.5X10X0.8				2

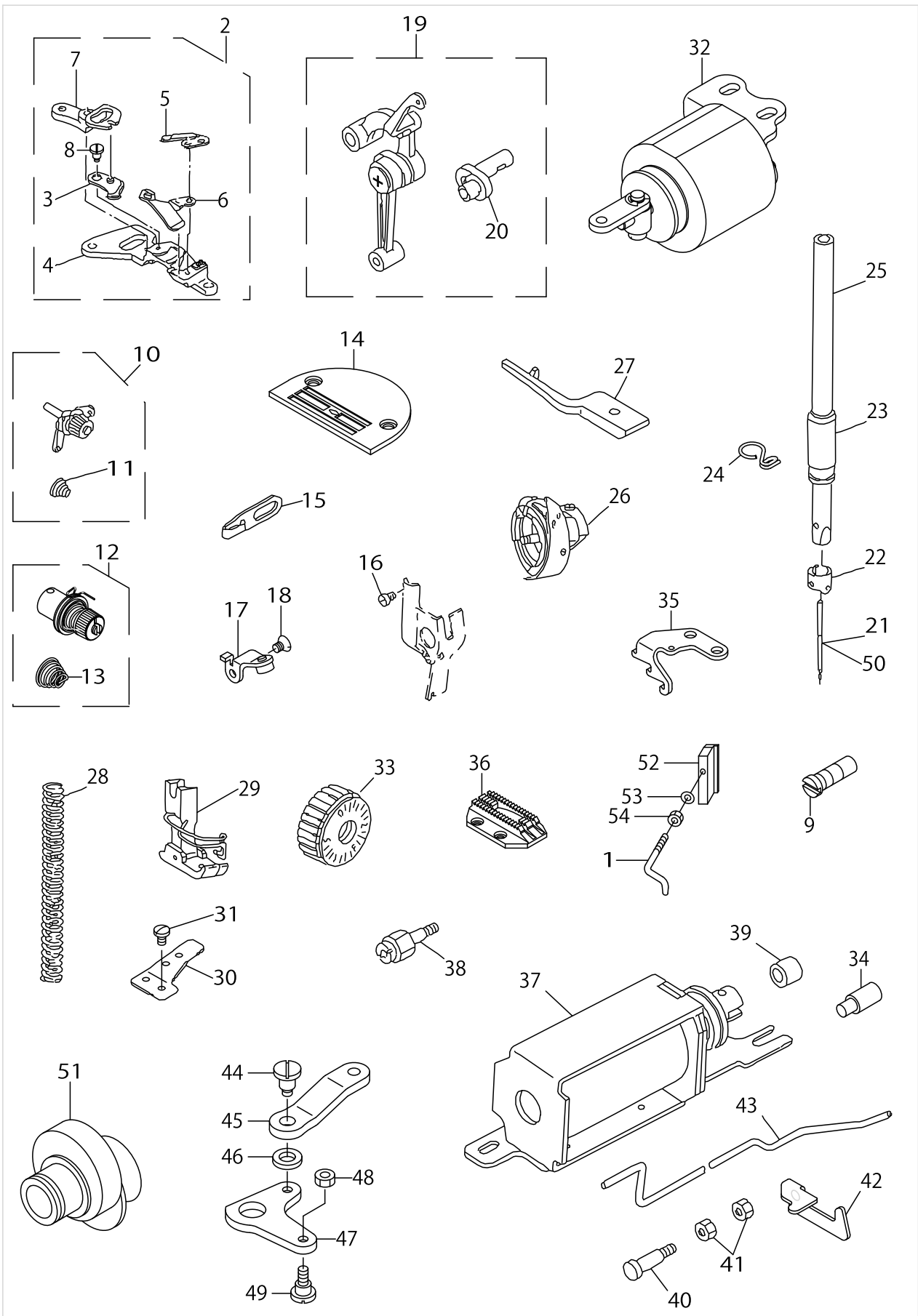
THREAD STAND COMPONENTS



THREAD STAND COMPONENTS

No.	Parts No.	Parts name	Remarks	Level	Cons	Qty
1	22930358	THREAD STAND ASM.				1
2	40062684	SPOOL PIN ASM.		*		1
3	22931000	SPOOL PIN		*		2
4	22931109	SPOOL RETAINER		*		2
5	WS0510002KN	SPRING WASHER		*		2
6	NM6050001SE	NUT M5		*		2
7	22930705	THREAD GUIDE ARM JOINT		*		2
8	22931406	SPOOL REST ROD RUBBER CAP		*		1
9	22930507	SPOOL REST ARM		*		1
10	22930408	SPOOL REST ROD UPPER		*		1
11	22931307	SPOOL REST ROD JOINT		*		1
12	SM4051405SE	SCREW M5 L=14		*		2
13	NM6050001SE	NUT M5		*		2
14	22930309	SPOOL REST ROD LOWER		*		1
15	22930556	THREAD STANDING ARM ASM.		*		1
16	22930903	SPOOL REST CUSHION		*		2
17	22930804	SPOOL REST		*		2
18	NM6160511SE	NUT M16X1.5		*		2
19	WP1612616SE	WASHER 16X30X2.6		*		2
20	WS1643202KR	SPRING WASHER		*		1
21	SM6061610SC	SCREW M6 L=16		*		2

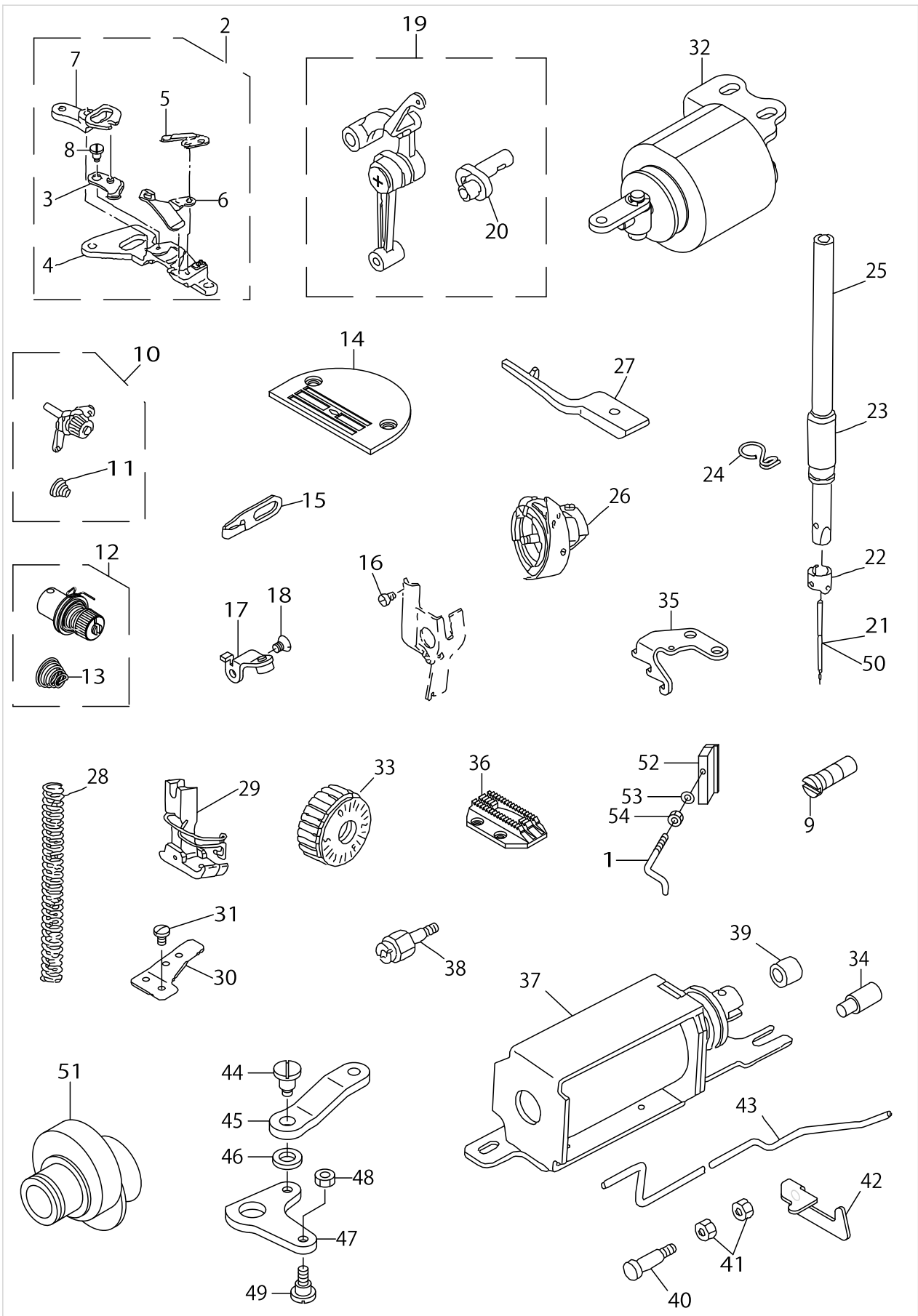
EXCLUSIVE PARTS FOR DDL-5550NH-7



EXCLUSIVE PARTS FOR DDL-5550NH-7

No.	Parts No.	Parts name	Remarks	Level	Cons	Qty
1	11305513	ARM THREAD GUIDE C				1
2	11095551	KNIFE UNIT				1
3	11409257	MOVING KNIFE J ASM.		*		1
4	11095502	KNIFE MOUNT BASE		*		1
5	11409604	FIX KNIFE		*		1
6	11095403	KNIFE THREAD GUIDE		*		1
7	11095601	KNIFE BRANCH		*		1
8	SD0500131TP	HINGE SCREW D=5 H=1.25		*		1
9	B1213552000A	OIL ADJUSTING PIN				1
10	22963458	THREAD TENSION ASM.				1
11	22963409	THREAD TENSION SPRING		*		1
12	22962054	THREAD TENSION ASM.				1
13	22962005	THREAD TENSION SPRING		*		1
14	11400801	THROAT PLATE J				1
15	11091006	ARM THREAD GUIDE (HA)				1
16	SS6080320SP	SCREW 1/8-44 L=2.5				1
17	11095254	LEVER STOPPER ASM.				1
18	SS1120710SP	SCREW 3/16-28 L=6.5				1
19	40103560	LINK_THREAD_TAKE-UP_LENER-H_ASM.				1
20	40109126	NEEDLE_BAR_CRANK_H		*		1
21	MDB100B2100	NEEDLE DBX1 #21				1
22	B1418415H00	NEEDLE BAR THREAD GUIDE				1
23	B1403553000	NEEDLE BAR BUSHING LOWER				1
24	40023223	NEEDLE BAR THREAD GUIDE				1
25	11091303	NEEDLE BAR				1
26	11092251	LUBRICATING HOOK ASM.				1
27	22962401	POSITIONING FINGER H				1
28	B1505552000A	PRESSER SPRING				1
29	D1524555EBL	PRESSER FOOT ASM.				1
30	22962807	WIRE PRESSER PLATE B	FOR DDL-5550NH-7-0B,-WB			1
31	SS7110740TP	SCREW 11/64-40 L=7	FOR DDL-5550NH-7-0B,-WB			1
32	11096559	SOLENOID UNIT				1
33	11071909	FEED DIAL				1
34	40010395	ADJUSTING LINK FULCRUM SHAFT B	FOR DDL-5550NH-7-0B,-WB			1
35	22970602	FEED SPRING HOOK				1
36	11403003	FEED J				1
37	40090750	SOLENOID MOUNTING BASE ASM.	FOR DDL-5550NH-7-0B,-WB			1
38	11231503	OIL PUMP SUPPORT	FOR DDL-5550NH-7-0B,-WB			1
39	22962609	REVERSE FEED BASE COLLAR	FOR DDL-5550NH-7-0B,-WB			1
40	22962906	PLUNGER ARM PIN	FOR DDL-5550NH-7-0B,-WB			1
41	NS6110420SP	NUT 11/64-40	FOR DDL-5550NH-7-0B,-WB			2
42	22962708	REVERSE FEED CORD HOLDER	FOR DDL-5550NH-7-0B,-WB			1
43	11094109	OIL TUBE				1
44	SD0700711TP	HINGE SCREW D=7 H=7.1	FOR DDL-5550NH-7-0B,-WB			1
45	22962500	SOLENOID CONNECTING LINK H	FOR DDL-5550NH-7-0B,-WB			1
46	WP0722316SH	WASHER	FOR DDL-5550NH-7-0B,-WB			1
47	11101508	REVERSE FEED LINK	FOR DDL-5550NH-7-0B,-WB			1

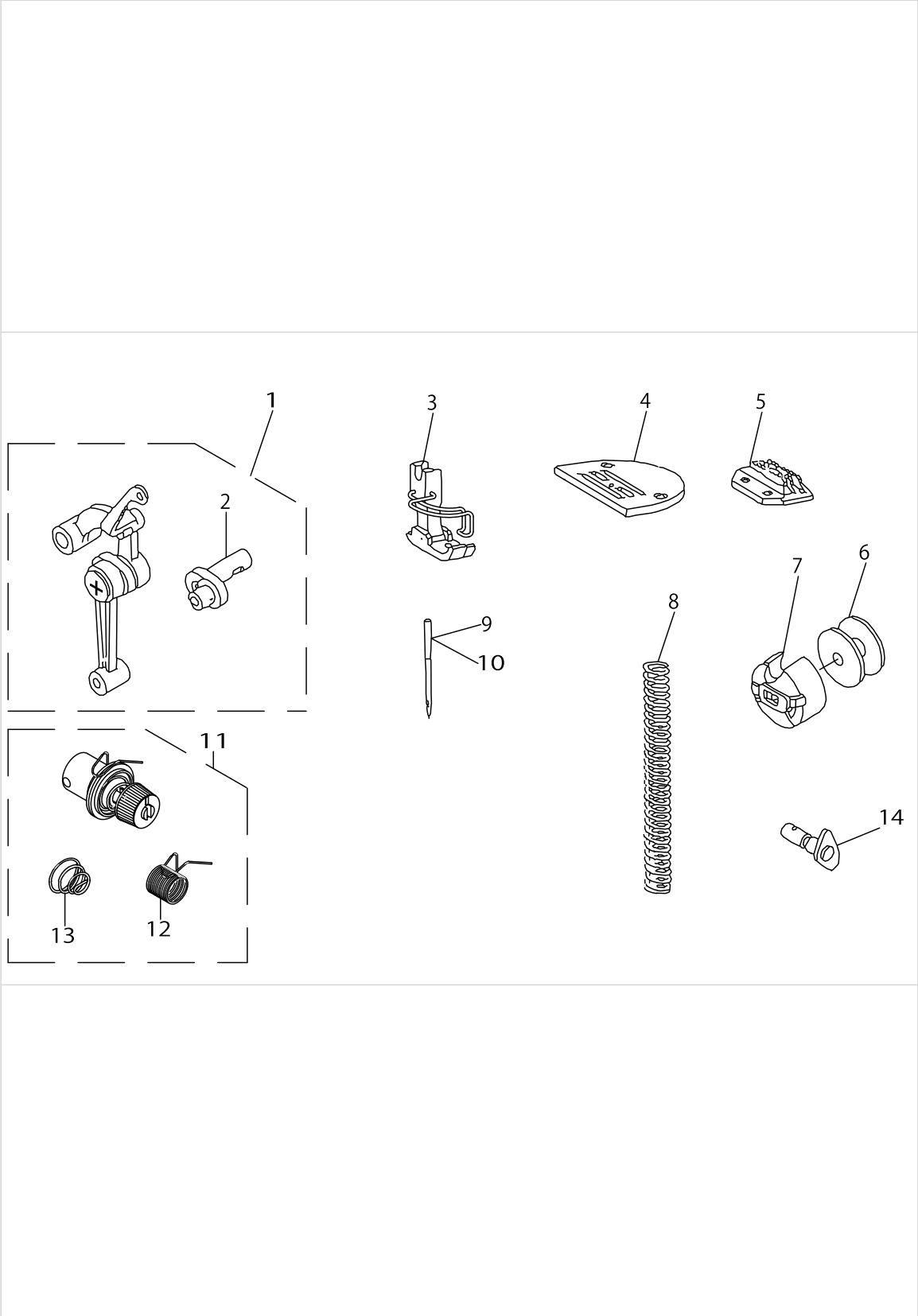
EXCLUSIVE PARTS FOR DDL-5550NH-7



EXCLUSIVE PARTS FOR DDL-5550NH-7

No.	Parts No.	Parts name	Remarks	Level	Cons	Qty
48	NS6110420SP	NUT 11/64-40	FOR DDL-5550NH-7-0B,-WB			1
49	SD0700451TP	HINGE SCREW D=7 H=4.5	FOR DDL-5550NH-7-0B,-WB			1
50	MC200501300	NEEDLE 134 NM130	FOR JE			1
51	22962351	FEED DRIVE ECCENTRIC CAM ASM.				1
52	11403805	THREAD GUIDE C FITTING PLATE				1
53	WP0371016SD	WASHER 3.7X8X1				1
54	NS6090310SP	NUT 9/64-40				1

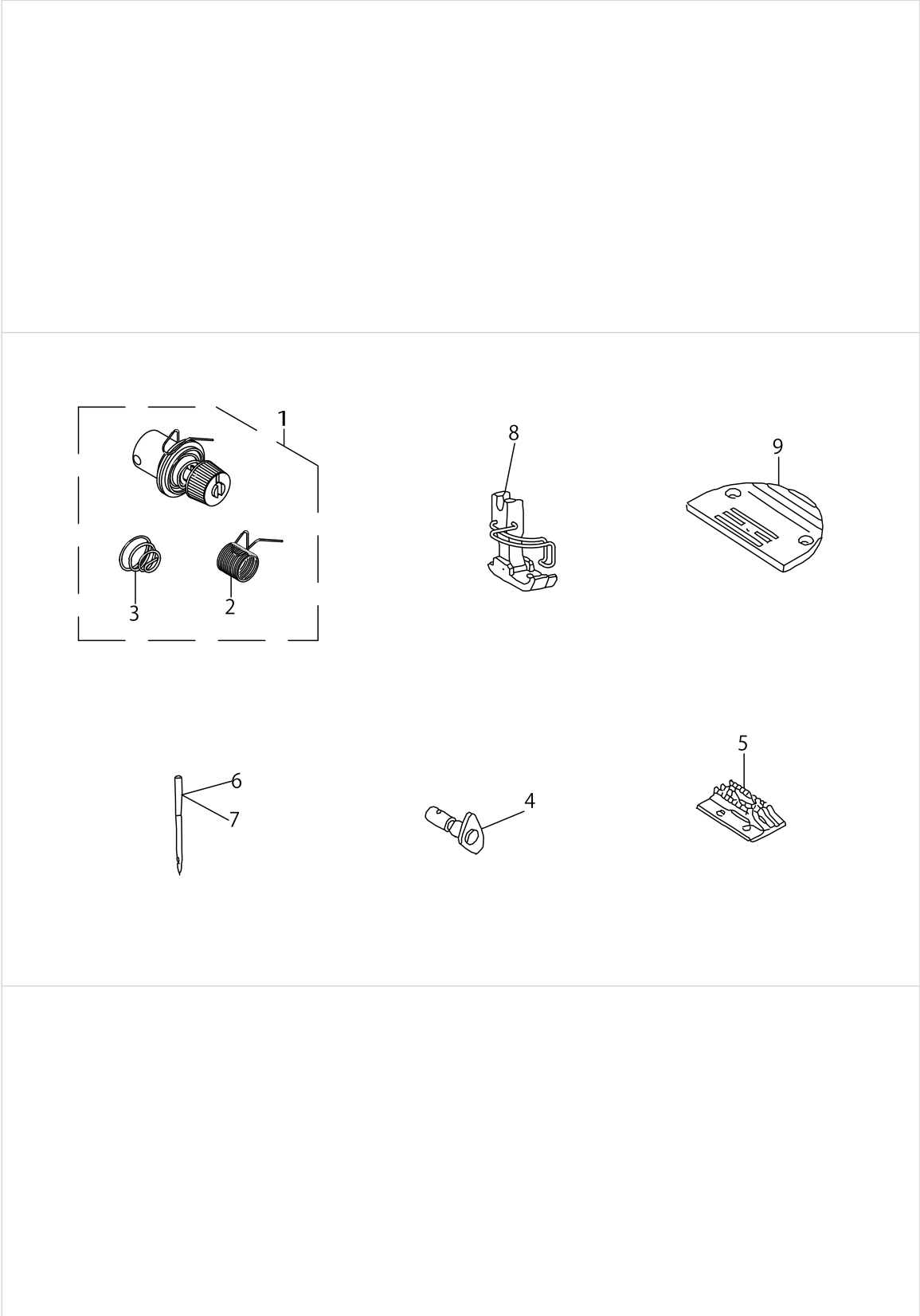
EXCLUSIVE PARTS FOR DDL-5550NA-7



EXCLUSIVE PARTS FOR DDL-5550NA-7

No.	Parts No.	Parts name	Remarks	Level	Cons	Qty
1	11091857	LINK THREAD TAKE-UP LEVER ASM.				1
2	11091808	NEEDLE BAR CRANK A		*		1
3	D1524555DBA	PRESSER FOOT ASM.				1
4	B1109012I0B	THROAT PLATE (I)				1
5	B1613012I00	FEED DOG I				1
6	22964001	BOBBIN (A)				1
7	B18370120A0	BOBBIN CASE ASM.				1
8	B1505227T00A	PRESSER SPRING T				1
9	MC200500650	NEEDLE 134 NM65	FOR JE			1
10	MDA100B0900	NEEDLE DAX1 #9				1
11	40011503	THREAD TENSION ASM.				1
12	40054784	THREAD TAKE-UP SPRING		*		1
13	40054785	THREAD TENSION SPRING		*		1
14	11092558	HAND LIFTER CAM ASM.				1

EXCLUSIVE PARTS FOR DDL-5550NK-7



EXCLUSIVE PARTS FOR DDL-5550NK-7

No.	Parts No.	Parts name	Remarks	Level	Cons	Qty
1	40011503	THREAD TENSION ASM.				1
2	40054784	THREAD TAKE-UP SPRING		*		1
3	40054785	THREAD TENSION SPRING		*		1
4	11092558	HAND LIFTER CAM ASM.				1
5	D1613155W00	FEED DOG W				1
6	MC200500650	NEEDLE 134 NM65	FOR JE			1
7	MDB100B0900	NEEDLE DBX1 #9				1
8	D1524555DBA	PRESSER FOOT ASM.				1
9	11001906	THROAT PLATE K				1

LIST FOR INFORMATION OF CHANGE (1)

As to the place changed, refer to the corresponding Rev.No.
 When previous parts(Obsoleted part)and new parts(Added parts)are
 not interchangeable with each other:
 In this case,even obsoleted parts(D.)can be ordered with the
 obsoleted part number,so select the parts with changed dates and
 place your orders.

変更箇所は、該当Rev.No.版をご参照ください。
 部品の互換性がない変更の場合は、削除された品番でも、ご注文できます。

29134905
 No.0919-12 Rev.No.

*A:Added parts追加部品/D:Obsoleted parts削除部品/E:Erratum訂正

* Rev. No.	Page 頁	Ref. No.	Parts No. 品番	* Rev. No.	Page 頁	Ref. No.	Parts No. 品番
D 11	2	18	111-00500	A 12	2	18	229-52501
D 11	2	20	111-00104	A 12	2	20	401-11022
D 11	2	61	M6008-350-AAC				
D 11	2	62	SS-4121215-SP				
D 11	2	64	WP-0501016-SD				
D 11	2	65	M6008-350-AAA				
D 11	2	66	M6008-350-AAF				
D 11	2	67	229-90550				
D 11	4	4	110-39070	A 12	4	4	229-18072
D 11	4	5	110-39062	A 12	4	5	229-18064
D 11	4	6	B1905-541-B00	A 12	4	6	229-18403
				A 12	4	7	229-18502
				A 12	4	8	229-18601
				A 12	4	9	229-18700
D 11	4	7	110-05204	A 12	4	10	229-18106
D 11	4	8	B1408-552-000	A 12	4	11	229-06606
D 11	4	9	B1903-552-000	A 12	4	12	229-18304
D 11	4	10	229-03157	A 12	4	13	401-06606
D 11	4	15	229-03108	A 12	4	15	401-06607
D 11	4	21	110-02508	A 12	4	21	401-05231
D 11	6	2	B1402-552-000-A	A 12	6	2	229-06101
D 11	6	6	B1414-555-000	A 12	6	6	400-90058
D 11	8	23	110-18207	A 12	8	23	229-20201
D 11	8	28	110-45952	A 12	8	28	229-44854
D 11	10	12	110-08208	A 12	10	12	229-10251
				A 12	10	15	229-10202
D 11	10	15	110-14008	A 12	10	71	229-15003
D 11	10	19	110-10154	A 12	10	19	229-12257
D 11	10	20	110-10410	A 12	10	20	229-12505
D 11	10	23	110-09503	A 12	10	23	229-11408
D 11	10	25	110-08703	A 12	10	25	400-89548
D 11	10	26	110-08604	A 12	10	26	400-93417
D 11	10	64	229-12604	A 12	10	64	401-00084
D 11	12	6	110-40300	A 12	12	6	229-47907
D 11	12	11	D2404-555-B00				
D 11	12	13	110-42553	A 12	12	13	229-50257

LIST FOR INFORMATION OF CHANGE (2)

* Rev. No.	Page 頁	Ref. No.	Parts No. 品番	* Rev. No.	Page 頁	Ref. No.	Parts No. 品番
D 11	12	19	110-42850	A 12	12	19	229-50851
D 11	12	30	110-41852	A 12	12	30	400-87245
D 11	12	46	HK-0346400-0B				
D 11	12	52	110-43205				
				A 12	12	54	401-06930
D 11	12	53	110-43908	A 12	12	57	401-06931
D 11	12	55	WP-0450000-SD	A 12	12	55	WS-0410002-KP
D 11	12	56	NM-6040000-SN	A 12	12	56	NM-6040001-SE
D 11	12	57	110-43304				
D 11	12	58	NS-6660410-SH				
D 11	12	59	NS-6660430-SP				
D 11	13	12	111-02308	A 12	13	12	229-54408
D 11	13	25	111-02753	A 12	13	25	400-85585
D 11	13	29	HK-0346400-0B				
D 11	14	15	111-10301	A 12	14	15	401-06936
D 11	14	17	HA-0060000-00	A 12	14	17	HA-0060000-0A
D 11	14	18	HW-2003900-00				
D 11	14	19	HW-5000700-00				
D 11	14	23	HK-0346400-0B				
D 11	14	28	111-11051	A 12	14	23	400-41419
D 11	18	14	SM-9062563-TR	A 12	18	14	401-01720
				A 12	20	2	400-62684
D 11	20	15	229-31208				
				A 12	20	15	229-30556
D 11	22	1	110-93366				
D 11	22	9	110-94901				
D 11	22	10	110-73954	A 12	22	10	229-63458
D 11	22	11	110-93606	A 12	22	11	229-63409
D 11	22	19	110-91659	A 12	22	19	401-03560
D 11	22	20	110-91600	A 12	22	20	401-09126
D 11	22	27	110-93804	A 12	22	27	229-62401
D 11	22	32	M6009-350-AAA				
D 11	22	34	110-91204				
D 11	22	35	229-62203	A 12	22	35	229-70602
D 11	22	37	110-96658	A 12	22	37	400-90750
D 11	22	56	110-94604				
D 11	22	58	110-96500	A 12	22	32	110-96559
D 11	23	-	ALL PARTS - 全部品				
D 11	24	-	ALL PARTS - 全部品				
D 11	25	15	M6018-350-AAA				
D 11	26	1	110-39351				
D 11	26	2	110-39203				
D 11	26	12	M6018-350-AAA				

HOW TO MAKE USE OF THIS PARTS LIST

1.Explanation of codes

1)"*"mark.....means this part is changed from the previous parts book.

As to the details of the change, refer to the "List for information of change".

2)"#01".....refer to "Note" explanation at bottom of page.

2.Codes on the "Qty" column

• Each numeral indicates the number of parts required.

• "0.1" and "2.5" indicate the length (in meters) of the respective parts.

3.Parentheses mean that the corresponding part is a subpart that constructs an assembly part.

4.Dotted lines on the Figures indicate assembly parts.

1."注記"欄の記号説明

1) "*"印.....前回のパーツブックに比較して今回変更された部品を意味します。

変更内容は、"変更情報リスト"を参照してください。

2) "#01".....ページ下の"注記"の説明を参照してください。

2.数量欄の数字は、個数を表し、0.1、2.5等の数値は、長さ（単位メートル）を表します。

3.数量欄の（ ）は、組部品を構成している子部品であることを意味します。

4.イラストページの-----枠は、組構成であることを意味します。

NUMERICAL INDEX OF PARTS

PART NO	PAGE	REF NO.	PART NO	PAGE	REF NO.	PART NO	PAGE	REF NO.
11000304	2	2	11095601	32	7	22907604	10	31
11001906	38	9	11096559	32	32	22907703	10	45
11002409	6	20	11101300	20	15	22907802	10	1
11002904	6	3	11101508	32	47	22908008	10	8
11003308	2	11	11110152	22	20	22908156	10	7
11004207	8	26	11141207	8	3-44	22908305	10	9
11009800	14	5-70	11141355	8	24-34	22908354	10	5
11010311	12	17	11217601	20	28	22908552	10	4
11011400	14	52	11231503	32	38	22908701	10	10
11015906	8	39	11305513	32	1	22908800	10	14
11023017	26	2	11313103	16	7	22908909	10	11
11024304	26	27	11400801	32	14	22909006	10	13
11024700	26	3	11403003	32	36	22910004	6	45
11030202	4	59	11403805	34	52	22910053	6	43
11035003	8	3-44	11409257	32	3	22910103	6	42
11037405	12	22	11409604	32	5	22910202	12	15
11038650	8	24-34	11415205	4	58	22910251	12	12
11038759	8	42	22900401	2	10	22910350	12	43
11038809	8	32	22900609	2	28	22910459	14	60
11040052	16	5	22900757	2	4	22910806	12	28
11040359	16	1	22901003	4	61	22910905	12	24
11040409	16	4	22901201	4	53	22911002	12	40
11040508	16	3	22901250	4	51-52	22911101	12	13
11040854	16	45	22901300	4	54	22911408	12	23
11040953	16	44	22901409	8	1	22911507	12	2
11043700	16	38	22901805	2	14	22911606	12	4
11047057	26	1	22902753	4	51-52	22911705	12	5-70
11047107	26	4	22903009	6	38	22911804	12	7
11070851	2	1	22903207	6	25	22912000	12	9
11071453	6	34	22903306	6	27	22912109	12	8
11071495	6	30	22903900	6	40	22912257	12	19
11071909	32	33	22904155	6	23	22912505	12	20
11075058	20	1	22904155	14	61	22912752	14	66
11091006	32	15	22905004	8	23	22912802	14	65
11091303	32	25	22905103	8	25	22912901	12	39
11091808	36	2	22906101	8	2	22913008	14	51
11091857	36	1	22906200	8	8	22913701	12	38
11092251	32	26	22906309	8	10	22915003	14	71
11092558	36	14	22906457	8	4	22915151	12	45
11092558	38	4	22906606	6	11	22915201	14	48
11094109	32	43	22907208	10	34	22915359	14	58
11095254	32	17	22907307	10	36	22916001	8	31
11095403	32	6	22907406	10	33	22916100	8	35
11095502	32	4	22907505	10	32	22916308	8	27
11095551	32	2	22907554	10	30	22916506	8	40

NUMERICAL INDEX OF PARTS

PART NO	PAGE	REF NO.	PART NO	PAGE	REF NO.	PART NO	PAGE	REF NO.
22916555	8	38	22924807	18	61	22934301	26	21
22917058	8	36	22924906	24	10	22934400	26	25
22917157	8	29	22925002	24	9	22934509	26	23
22918064	6	5	22925101	24	5	22934608	26	24
22918072	6	4	22927305	28	27	22934707	26	13
22918106	6	10	22927354	28	13	22935407	4	57
22918304	6	12	22927404	28	28	22937965	6	37
22918403	6	6~9	22927602	28	29	22940506	12	10
22918502	6	6~9	22928105	28	22	22940654	14	55
22918601	6	6~9	22928303	28	21	22940753	12	35
22918700	6	6~9	22928402	28	20	22940803	12	31
22919203	6	29	22928501	28	14	22940951	12	27
22919559	6	2	22928709	28	26	22941108	12	1
22920102	10	29	22928808	28	18	22941306	12	36
22920201	10	23	22928907	28	16	22942601	8	43
22920300	10	26	22929004	28	17	22944508	10	18
22920409	10	24	22930309	30	14	22944607	10	20
22920508	2	30	22930358	30	1	22944706	10	42
22920607	2	47	22930408	30	10	22944854	10	28
22920805	8	7	22930507	30	9	22945109	10	25
22920904	2	43	22930556	30	15	22945307	2	40
22921001	2	31	22930705	30	7	22945356	2	32
22921209	2	38	22930804	30	17	22945406	2	22
22921308	2	33	22930903	30	16	22945463	2	21
22921407	2	34	22931000	30	3	22945505	2	25
22921506	2	37	22931109	30	4	22945604	2	23
22921605	2	39	22931307	30	11	22945703	2	26
22921704	2	35	22931406	30	8	22945802	2	24
22921803	2	36	22932107	26	8	22947006	24	1
22923015	24	14	22932156	26	7	22947105	24	26
22923056	24	12	22932206	26	16	22947907	16	6
22923205	24	17	22932305	26	15	22948301	16	35
22923312	24	13	22932404	26	12	22948400	16	37
22923403	24	19	22932453	26	11	22949002	16	43
22923502	24	21	22932909	8	41	22949101	16	40
22923601	24	20	22933402	28	2	22949200	16	41
22923700	24	15	22933451	28	1	22949408	16	29
22923809	24	18	22933501	28	3	22949754	16	24
22923908	24	22	22933600	28	5	22949762	16	23
22924005	24	30	22933659	28	4	22949903	18	50
22924153	24	6	22933758	28	6	22950000	16	26
22924302	24	7	22933907	28	7	22950109	16	31
22924401	24	3	22934004	28	8	22950208	16	14
22924500	24	11	22934202	26	20	22950257	16	13
22924609	24	28	22934251	26	19	22950356	16	15

NUMERICAL INDEX OF PARTS

PART NO	PAGE	REF NO.	PART NO	PAGE	REF NO.	PART NO	PAGE	REF NO.
22950703	16	25	40010395	32	34	B1521555000	10	2
22950851	16	19	40011503	36	11	B15240120BA	10	21·41
22950950	16	21	40011503	38	1	B15245520BA	10	21·41
22951008	18	52	40017805	10	35	B1613012I00	12	33
22951164	18	49	40023223	32	24	B1613012I00	36	5
22951404	18	58	40041419	22	23	B1636581C00	14	69
22951552	16	11	40054784	36	12	B18370120A0	36	7
22952501	2	18	40054784	38	2	B8228125000	26	26
22953509	20	24	40054785	36	13	CM300200001	2	12
22953657	20	17	40054785	38	3	CM301300001	2	13
22953905	20	19	40060989	10	39	CQ252000000	24	8
22954101	20	4	40062684	30	2	D1524555DBA	36	3
22954200	20	5	40085585	20	25	D1524555DBA	38	8
22954309	20	6	40087245	16	30	D1524555EBL	32	29
22954408	20	12	40089548	12	25	D1613155W00	38	5
22954507	20	13	40090058	8	6	D2406555D0H	16	10
22954606	20	2	40090750	32	37	D2468555B00	20	22
22954705	2	9	40093417	12	26	EA9500B0100	6	28
22955504	22	2	40100084	14	64	HA001900000	20	11
22955553	22	1	40101720	26	14	HA00600000A	22	17
22955900	22	13	40103560	32	19	HK034610140	16	46
22956007	22	14	40105231	6	21	HK03464000B	20	10
22956106	22	6	40106606	6	13	HW500070000	20	9
22956205	22	10	40106607	6	15	M40071100AA	6	35
22956304	22	11	40106930	18	54	M40071100AB	6	36
22956403	22	7	40106931	18	57	MC200500650	36	9
22956809	22	18	40106936	22	15	MC200500650	38	6
22956908	22	9	40109126	32	20	MC200500750	8	28
22957005	22	24	40111022	2	20	MC200501300	34	50
22957104	22	16	B1109012I0B	2	44	MDA100B0900	36	10
22957203	22	21	B1109012I0B	36	4	MDB100B0900	38	7
22958300	2	7	B1109552000	4	60	MDB100B1400	8	11
22962005	32	13	B1213552000A	32	9	MDB100B2100	32	21
22962054	32	12	B1215552000	6	26	NM6040001SE	18	56
22962351	34	51	B13050120A0	8	14	NM6050001SE	30	13
22962401	32	27	B13061550A0	8	16	NM6060001SE	26	18
22962500	32	45	B13061550B0	8	13	NM6160511SE	30	18
22962609	32	39	B13061550C0	8	12	NS6090310SP	22	5
22962708	32	42	B13071550A0	8	19	NS6090310SP	34	54
22962807	32	30	B13071550B0	8	18	NS6110310SP	22	12
22962906	32	40	B13081550A0	8	21	NS6110420SP	32	48
22963409	32	11	B1403553000	32	23	NS6110420SP	34	48
22963458	32	10	B1418415H00	32	22	NS6150430SP	16	33
22964001	36	6	B1505227T00A	36	8	NS6620310SP	10	44
22970602	32	35	B1505552000A	32	28	NS6680410SP	12	42

NUMERICAL INDEX OF PARTS

PART NO	PAGE	REF NO.	PART NO	PAGE	REF NO.	PART NO	PAGE	REF NO.
RC0150001KP	12	54	SM4051405SE	30	12	SS6111010TP	24	25
RC0150001KP	14	54	SM6061610SC	30	21	SS6111210SP	6	31
RC1850001KP	6	22	SM8061010TP	14	68	SS6121610SP	12	44
RE0250000K0	22	8	SM8061050TP	14	67	SS6121840SP	2	17
RE0400000K0	16	39	SM8063012TR	26	10	SS6121860SP	12	11
RE0400000K0	20	23	SM9061203SE	26	22	SS6660610TP	16	20
RE0400000KP	20	18	SS1120710SP	32	18	SS6661110SP	6	44
RE0500000K0	10	22	SS2060210SP	16	8	SS6700710SH	26	5
RE0500000K0	12	21	SS2110915SP	2	46	SS7080510TP	8	9
RE0500000K0	16	51	SS2110920TP	2	45	SS7081310SP	28	24
RE0500000K0	18	51	SS4080620TP	12	34	SS7090610SP	16	42
RE0500000K0	22	19	SS4080620TP	16	9	SS7091110TP	10	40
RE0500000KP	20	14	SS4090615SP	6	19	SS7110350SP	28	19
RE0600000K0	16	34	SS4110515SP	10	43	SS7110740TP	14	53
RE0900000K0	20	16	SS4110515SP	12	37	SS7110740TP	32	31
RE1000000K0	26	17	SS4110515SP	28	15	SS7111120SP	14	59
RE1200000K0	20	20	SS4110715SP	16	28	SS7120770SH	12	6
RO029180100	6	41	SS4110915TP	8	33	SS7121410TP	14	56
RO037180100	10	3	SS4120615SP	2	29	SS7121610SP	12	46
RO044240100	6	18	SS4120615SP	10	27	SS7681650TP	6	14
RO078190100	14	63	SS4120615SP	20	27-29	SS8090670SP	2	41
RO092270200	12	16	SS4120615SP	24	4	SS8110410TP	8	37
RO098240100	26	6	SS4120915SP	2	50	SS8110510SP	28	25
RO195240100	24	2	SS4120915SP	4	50	SS8110520TP	16	22
SD0460703TP	16	2	SS4120915SP	8	45	SS8150710TP	2	42
SD0490261SP	28	23	SS4120915SP	20	27-29	SS8150710TP	12	29
SD0500131TP	32	8	SS4120915SP	22	26	SS8151150TP	6	1
SD0600361SP	18	59	SS4121415SP	28	9	SS8151550SP	6	33
SD0630275SP	16	18	SS4150915SP	10	17	SS8660610TP	6	24
SD0640631TP	18	48	SS4150915SP	16	47	SS8660610TP	14	62
SD0641451SP	16	17	SS4150915SP	24	24	SS8660810TP	8	22
SD0650321TP	22	4	SS4151215SP	18	60	SS8660810TP	10	37
SD0700451TP	34	49	SS4151215SP	20	26	SS8681650TP	6	16
SD0700711TP	32	44	SS6060210SP	4	55	TA0850604R0	2	5
SD0720331SP	10	12	SS6080320SP	32	16	TA1250406R0	4	49
SD1000801SH	12	47	SS6080410SP	2	3	TA1250705R0	2	6
SE4301041SR	24	16	SS6090510TP	16	16	TA2000502R0	2	16
SK3412000SC	28	30	SS6090540SP	22	25	TA2101002R0	2	19
SL4030631SC	22	3	SS6090620TP	12	41	WP0371016SD	34	53
SL4030641SE	22	22	SS6090670TP	8	5	WP0450801SD	6	32
SL4030851SF	24	23	SS6090670TP	12	3	WP0450826SC	28	31
SL4051001MZ	6	39	SS6090910SP	10	38	WP0480856SP	14	57
SM4031501SC	20	8	SS6110420TP	8	30	WP0501016SD	28	10
SM4040655SP	20	3	SS6110610TP	4	48	WP0621016SH	16	32
SM4041655SP	20	7	SS6110710TP	18	53	WP0722316SH	32	46

NUMERICAL INDEX OF PARTS

PART NO	PAGE	REF NO.
WP1602616SZ	20	21
WP1612616SE	30	19
WS0410002KP	18	55
WS0451040KP	24	29
WS0510002KN	30	5
WS0651310KP	24	27
WS1643202KR	30	20
WT0530002KS	4	56