

MODEL : DDL-8500-7

List No : 1200-00

# PARTS LIST

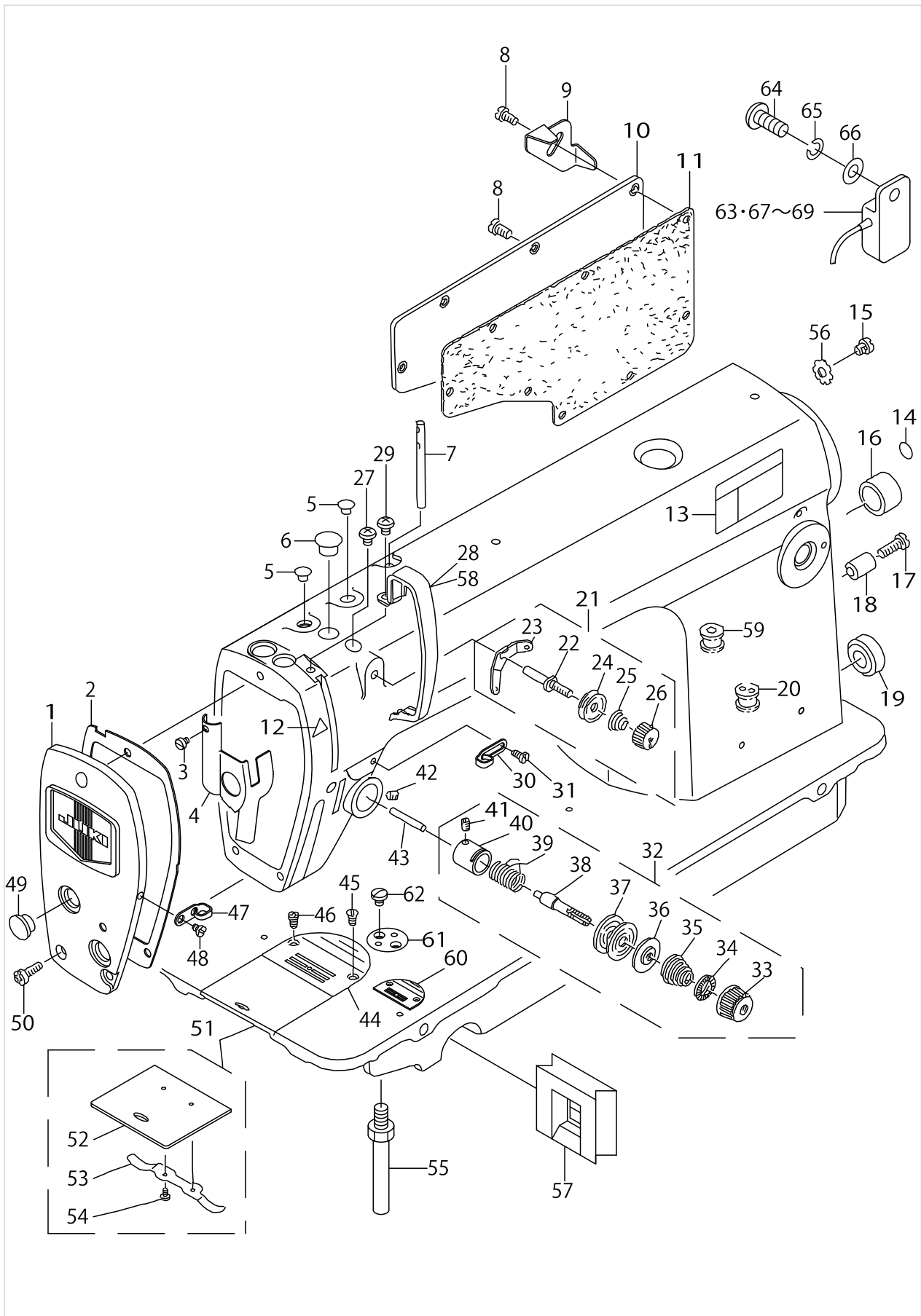
Published:02/15/2019

## CONTENTS

---

MACHINE FRAME & MISCELLANEOUS COVER COMPONENTS .....	1
MAIN SHAFT COMPONENTS .....	5
NEEDLE BAR, UPRIGHT SHAFT & HOOK DRIVING SHAFT COMPONENTS .....	7
HAND LIFTER COMPONENTS .....	9
FEED MECHANISM COMPONENTS.....	11
THREAD TRIMMER COMPONENTS .....	15
AUTOMATIC REVERSE FEED COMPONENTS.....	19
WIPER COMPONENTS.....	21
OIL LUBRICATION COMPONENTS.....	23
OIL RESERVOIR COMPONENTS .....	25
BELT COVER & BOBBIN COMPONENTS.....	27
THREAD STAND COMPONENTS.....	29
EXCLUSIVE PARTS FOR DDL-8500H-7.....	31
EXCLUSIVE PARTS FOR DDL-8500A-7.....	35
HOW TO MAKE USE OF THIS PARTS LIST .....	37

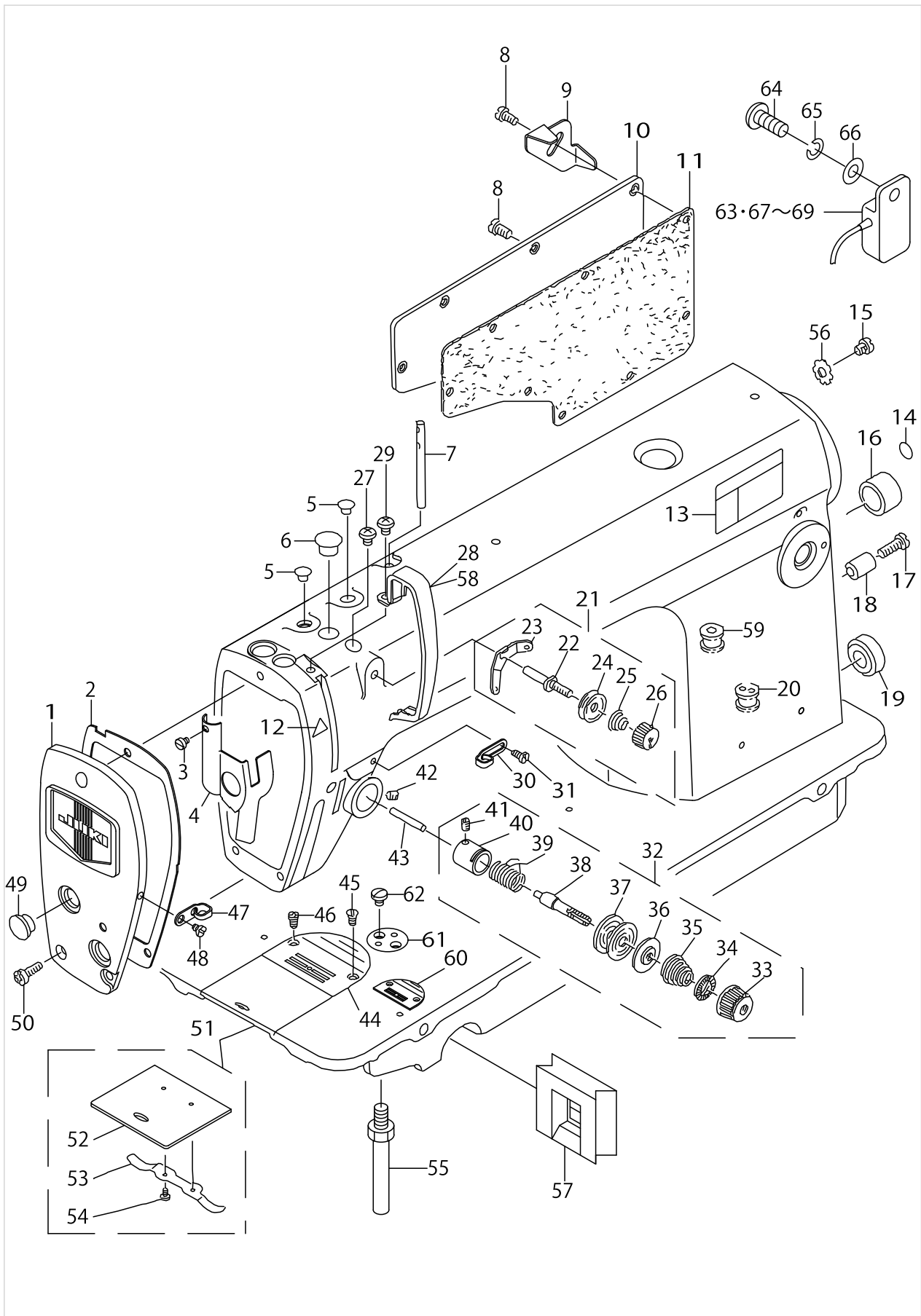
MACHINE FRAME & MISCELLANEOUS COVER COMPONENTS



MACHINE FRAME & MISCELLANEOUS COVER COMPONENTS

No.	Parts No.	Parts name	Remarks	Level	Cons	Qty
1	22902159	FASE PLATE ASM.				1
2	22902209	FASE PLATE GASKET				1
3	SS6080410SP	SCREW 1/8-44 L=4				1
4	22900757	ARM OIL SHIFLD ASM.				1
5	TA0850604R0	RUBBER PLUG				2
6	TA1250705R0	RUBBER PLUG				1
7	22958300	THREAD GUIDE ROD				1
8	SS4120915SP	SCREW 3/16-28 L=9				8
9	22954705	CORD HOLDER	EXCEPT DDL-8500-7-00			1
10	22900401	SIDE PLATE				1
11	11000619	GASKET				1
12	CM300200001	ATTENTION SEAL	FOR JE			1
13	CM3002001A1	SAFETY LABEL.,3 (SMALL).	EXCEPT JE			1
14	10004109	GROUND MARK				1
15	SS4120615SP	SCREW 3/16-28 L=6				1
16	TA2000502R0	RUBBER PLUG				1
17	SS6121840SP	SCREW 3/16-28 L=18	FOR DDL-8500-7-0B,-WB			1
18	22952501	REVERSE FEED LEVER STOPPER	FOR DDL-8500-7-0B,-WB			1
19	TA2101002R0	RUBBER PLUG				1
20	22935308	MAGNET CORD RUBBER	FOR DDL-8500-7-0B,-WB			1
21	22945455	THREAD TENSION ASM.				1
22	22945406	FIRST TENSION POST		*		1
23	22945604	THREAD TENSION GUIDE		*		1
24	22945802	BOBBIN WINDER TENSION DISC		*		2
25	22945505	THREAD TENSION SPRING		*		1
26	22945703	THREAD TENSION NUT		*		1
27	SS4120615SP	SCREW 3/16-28 L=6				1
28	22900609	THREAD TAKE-UP LEVER COVER				1
29	SS4120615SP	SCREW 3/16-28 L=6				1
30	22920508	ARM THREAD GUIDE A				1
31	11001500	SCREW				1
32	22945356	THREAD TENSION ASM.				1
33	22921308	TENSION NUT		*		1
34	22921407	ROTATING STOPPER		*		1
35	22921704	TENSION SPRING A		*		1
36	22921803	THREAD TENSION DISK PRESSER		*		1
37	22921506	THREAD TENSION DISK		*		2
38	22921209	TENSION POST		*		1
39	22921605	TAKE-UP SPRING		*		1
40	22945307	TENSION POST SOCKET		*		1
41	SS8090670SP	SCREW 9/64-40 L= 5.5		*		1
42	SS8150710SP	SCREW 15/64-28 L=7				1
43	B3118552E00	TENSION RELEASING				1
44	B1109012I0B	THROAT PLATE (I)				1
45	SS2110920TP	SCREW 11/64-40 L=8.5				1
46	SS2110915SP	SCREW 11/64-40 L=8.5				1
47	22920607	ARM THREAD GUIDE B				1

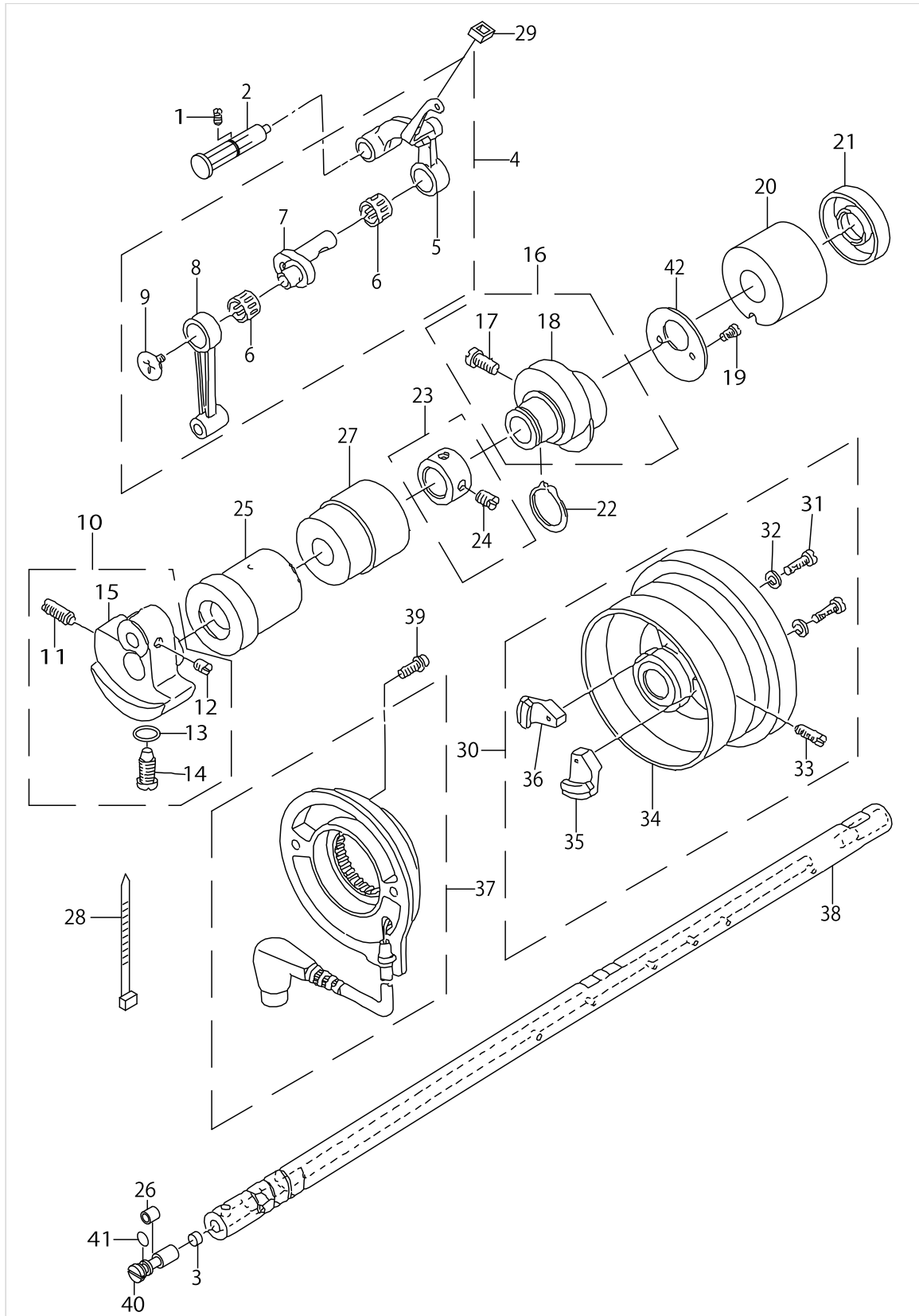
MACHINE FRAME & MISCELLANEOUS COVER COMPONENTS



MACHINE FRAME & MISCELLANEOUS COVER COMPONENTS

No.	Parts No.	Parts name	Remarks	Level	Cons	Qty
48	SS6110610TP	SCREW 11/64-40 L=6				1
49	TA1250406R0	RUBBER PLUG D=12.5 L=4				2
50	SS4120915SP	SCREW 3/16-28 L=9				3
51	22901250	BED SLIDE ASM.				1
52	22901201	SLIDE PLATE		*		1
53	22901300	BED SLIDE SPRING		*		1
54	SS6060210SP	SCREW 3/32-56 L= 1.9		*		2
55	22901003	BED SCREW STUD				4
56	WT0530002KS	TOOTHED WASHER D=5.3				1
57	22935407	RUBBER PLATE				1
58	18077503	THREAD TAKE-UP LEVER COVER	FOR JE			1
59	22935209	RUBBER BUSHING	FOR DDL-8500-7-00			1
60	B1109552000	THROAT PLATE	FOR JA			1
61	22902605	RULER STOPPER				1
62	SS7110540SP	SCREW 11/64-40 L=5				2
63	M6008350AAC	RESISTANCE PACK AC ASM.				1
64	SS4121215SP	SCREW 3/16-28 L=12				1
65	WS0510002KP	SPRING WASHER 5.1X9.2X1.3				1
66	WP0501016SD	WASHER 5X10.5X1				1
67	M6008350AAA	RESISTANCE PACK AA ASM.	FOR JA			1
68	M6008350AAF	RESISTANCE PACK AF ASM.	FOR JE			1
69	M6008350AAL	RESISTANCE PACK AL ASM.	FOR JH			1

# MAIN SHAFT COMPONENTS



MAIN SHAFT COMPONENTS

No.	Parts No.	Parts name	Remarks	Level	Cons	Qty
1	SS8151150SP	SCREW 15/64-28 L=10.5				1
2	22919559	THREAD TAKE-UP CRANK SHAFT ASM				1
3	22903702	ROLLER FELT				1
4	11039070	THREAD TAKE-UP LEVER ASM.				1
5	11039062	THREAD TAKE-UP LEVER ASM.		*		1
6	B1905541B00	NEEDLE BEARING	SELECTIVE PART(A~D)	*		1
7	11005204	NEEDLE BAR CRANK		*		1
8	B1408552000	NEEDLE BAR CRANK ROD		*		1
9	B1903552000	LEFT SCREW		*		1
10	22903157	COUNTER WEIGHT ASM.				1
11	SS8681650TP	SCREW 9/32-28 L=16		*		1
12	SS8660610TP	SCREW 1/4-40 L=6		*		2
13	RO044240100	RUBBER RING		*		1
14	SS7681650TP	SCREW 9/32-28 L=16		*		1
15	22903108	COUNTER WEIGHT		*		1
16	22910053	FEED DRIVE ECCENTRIC CAM ASM.				1
17	SS6661110SP	SCREW 1/4-40 L=11		*		2
18	22910004	FEED DRIVE ECCENTRIC CAM		*		1
19	SS6090650SP	SCREW 9/64-40 L=6				2
20	22903405	MAIN SHAFT BUSHING, REAR				1
21	22903504	OIL SEAL				1
22	RC1850001KP	SNAP RING 18.5				1
23	22904155	THRUST COLLAR ASM.				1
24	SS8660610TP	SCREW 1/4-40 L=6		*		2
25	22903207	MAIN SHAFT FRONT BUSHING				1
26	22904007	OIL ADJUSTING COLLAR				1
27	22903306	BUSHING,INTERMEDIATE				1
28	EA9500B0100	CABLE BAND				1
29	22919203	RUBBER				1
30	22937064	HAND WHEEL COMPL.				1
31	SS6111210SP	SCREW 11/64-40 L=12		*		2
32	WP0450801SD	WASHER 4.5X10X0.8		*		2
33	SS8151550SP	SCREW 15/64-28 L=15		*		2
34	22937056	HAND WHEEL ASM.		*		1
35	M40071100AA	MAGNET FITTING BASE A ASM.		*		1
36	M40071100AB	MAGNET FITTING BASE B ASM.		*		1
37	11032562	DYNAMO STATOR				1
38	22903009	MAIN SHAFT				1
39	SL4051001MZ	SCREW M5 L=9.6				2
40	22903900	OIL AMOUNT ADJUSTING PIN				1
41	RO029180100	RUBBER RING				1
42	22910103	THRUST COLLAR				1

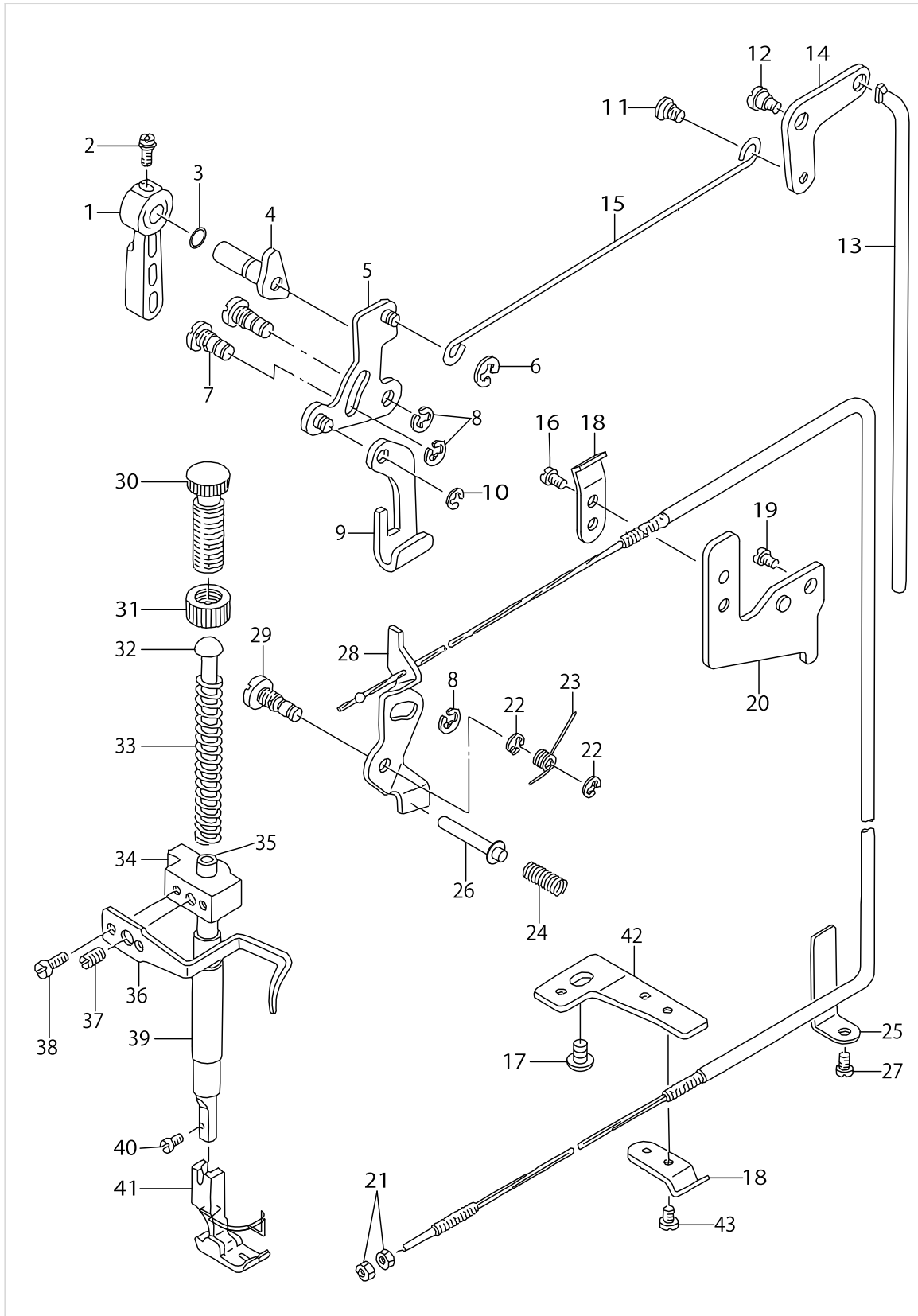




NEEDLE BAR, UPRIGHT SHAFT & HOOK DRIVING SHAFT COMPONENTS

No.	Parts No.	Parts name	Remarks	Level	Cons	Qty
1	22901409	CAP				1
2	22906101	NEEDLE BAR BUSHING ,UPPER				1
3	22939508	NEEDLE BAR				1
4	22906457	NEEDLE ROD HOLDER ASM.				1
5	SS6090670TP	SCREW 9/64-40 L=6		*		1
6	22906507	SLIDE BLOCK				1
7	11018801	NEEDLE BAR THREAD GUIDE				1
8	22906200	NEEDLE BAR BUSHING, LOWER				1
9	SS7080510TP	SCREW 1/8-44 L=4.5				1
10	22906309	NEEDLE BAR THREAD GUIDE				1
11	MDB100B1400	NEEDLE DBX1 #14				1
12	B13061550C0	GEAR & PINION ASM.				1
13	B13061550B0	GEAR & PINION ASM., UPPER		*		1
14	B13050120A0	GEAR ASM.		*		1
15	SS8660810TP	SCREW 1/4-40 L=8		*		2
16	B13061550A0	PINION ASM.		*		1
17	SS8660810TP	SCREW 1/4-40 L=8		*		2
18	B13071550B0	GEAR & PINION ASM., LOWER		*		1
19	B13071550A0	GEAR ASM. LARGE		*		1
20	SS8660810TP	SCREW 1/4-40 L=8		*		2
21	B13081550A0	PINION ASM.		*		1
22	SS8660810TP	SCREW 1/4-40 L=8		*		2
23	22905004	UPRIGHT SHAFT				1
24	11141355	HOOK ASM.				1
25	22905103	UPRIGHT SHAFT BUSHING ,LOWER				1
26	22905202	UPRIGHT SHAFT BUSHING ,LOWER				1
27	22916308	BUSHING ,REAR				1
28	MC200500900	NEEDLE 134 90	FOR JE			1
29	22917157	THRUST COLLAR ASM.				1
30	SS6110420TP	SCREW 11/64-40 L=4.8		*		2
31	22916001	LOWER SHAFT				1
32	22942502	BOBBIN CASE HOLDER				1
33	SS4110915SP	SCREW 11/64-40 L=9				1
34	11038650	HOOK ASM.	FOR JH			1
35	22916100	LOWER SHAFT FRONT METAL				1
36	22917058	THRUST COLLAR ASM.				1
37	SS8110410TP	SCREW 11/64-40 L= 3.5		*		2
38	22916555	OIL SEAL SCREW ASM.				1
39	22916605	OIL WICK		*		1
40	22916506	OIL SEAL SCREW		*		1
41	22932909	BOBBIN				1
42	11038759	BOBBIN CASE ASM.				1
43	22942601	OIL SHIELD				1
44	11141207	NEEDLE BAR	FOR JE,JO			1
45	SS4120915SP	SCREW 3/16-28 L=9				1
46	SS4120915SP	SCREW 3/16-28 L=9				1

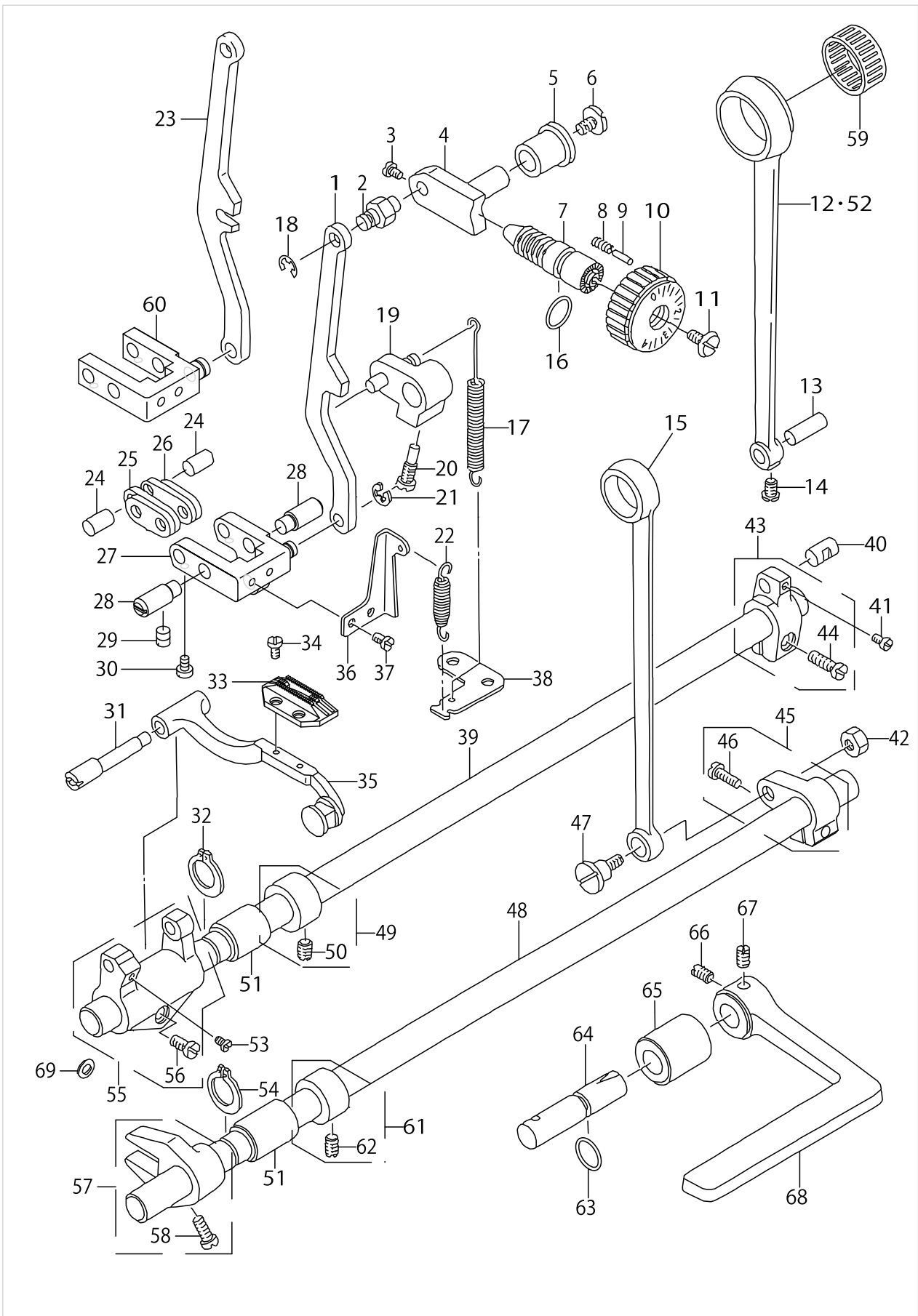
# HAND LIFTER COMPONENTS



HAND LIFTER COMPONENTS

No.	Parts No.	Parts name	Remarks	Level	Cons	Qty
1	22907802	HAND LIFTER				1
2	B1521555000	SCREW				1
3	RO037180100	RUBBER RING				1
4	22908552	HAND LIFTER CAM ASM.				1
5	22908156	HAND LIFTER LINK				1
6	RE0500000K0	E-RING				1
7	11006509	LINK SHAFT				2
8	RE0500000K0	E-RING				3
9	22908008	LIFTING LEVER				1
10	RE0500000K0	E-RING				1
11	22908909	HINGE SCREW				1
12	SD0720331SP	HINGE SCREW D= 7.24 H= 3.3				1
13	22909006	CONNECTING ROD VERTICAL				1
14	22908800	LIFTING LEVER LINK				1
15	22908305	LIFTING LEVER CONNECTING ROD				1
16	SS7110720SP	SCREW 11/64-40 L=7				1
17	SS4150915SP	SCREW 15/64-28 L=9	FOR DDL-8500-7-00			1
18	22944508	WIRE HOLDER A				2
19	SS4120615SP	SCREW 3/16-28 L=6				1
20	22944607	WIRE HOLDER BRACKET ,UPPER				1
21	NS6620310SP	NUT 3/16-32				2
22	RE0500000K0	E-RING				2
23	22920201	TENSION RELEASE RETURN SPRING				1
24	11018405	TENSION RELEASE PIN SPRING				1
25	22945109	WIRE CABLE HOLDER				1
26	11018306	TENSION RELEASE SUPPORTING PIN				1
27	SS4120615SP	SCREW 3/16-28 L=6				1
28	22944854	THREAD RELEASE WIRE ASM.				1
29	11018108	TENSION RELEASE SHAFT				1
30	22907505	PRESSER ADJUSTING SCREW				1
31	22907604	PRESSER ADJUSTING SCREW NUT				1
32	22907703	PRESSER GUIDE BAR				1
33	22907406	PRESSER ADJUSTING SPRING				1
34	22907208	PRESSER BAR GUIDE BRACKET				1
35	22907000	PRESSER BAR				1
36	22907307	PRESSER BAR THREAD GUIDE				1
37	SS8660810TP	SCREW 1/4-40 L=8				1
38	SS6090910SP	SCREW 9/64-40 L=9				2
39	22907109	PRESSER BAR BUSHING, LOWER				1
40	SS7091110SP	SCREW 9/64-40 L=10.5				1
41	B15240120BA	PRESSER FOOT ASM.				1
42	22944706	WIRE HOLDER BRACKET ,LOWER				1
43	SS7110410SP	SCREW 11/64-40 L=4				1

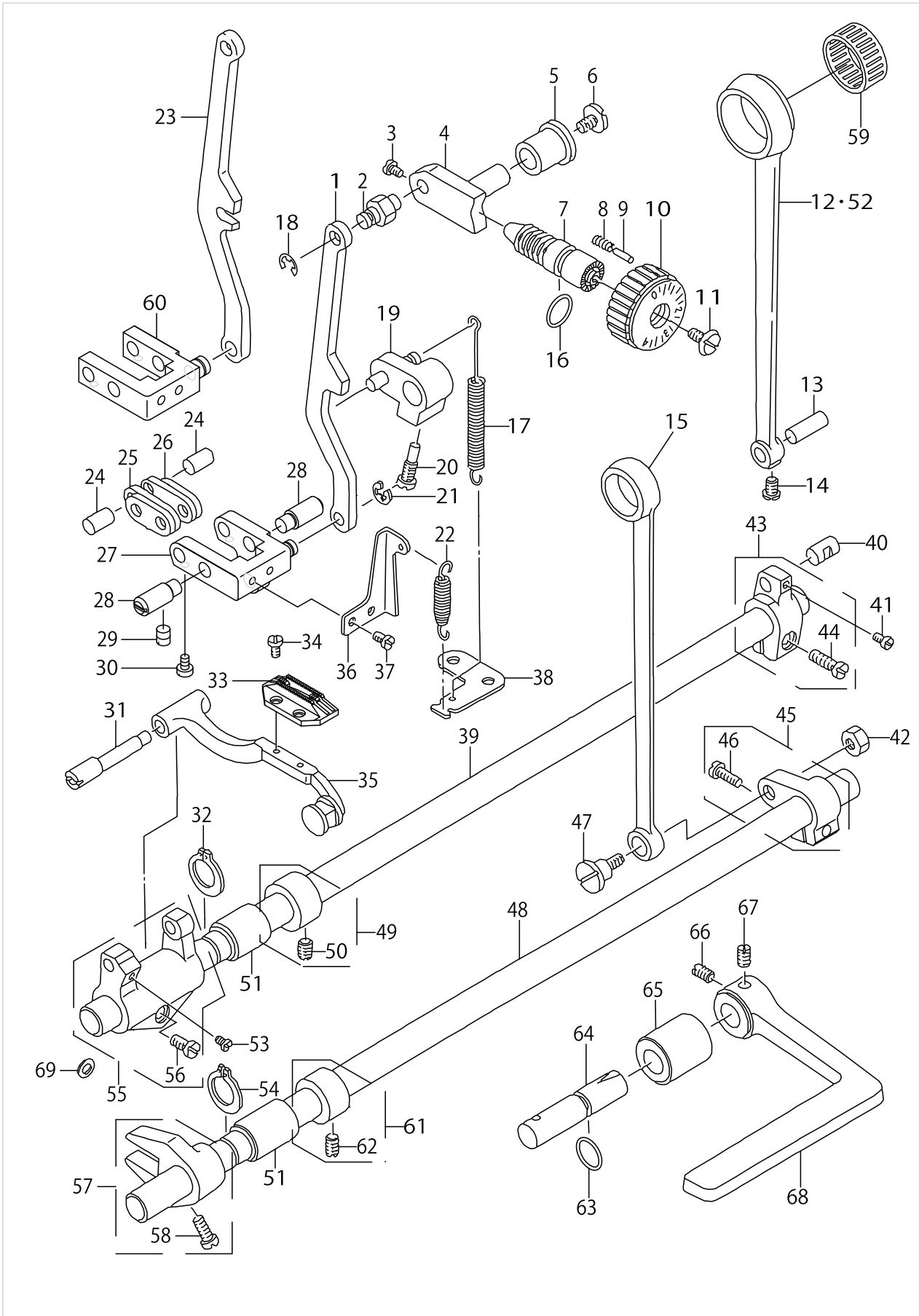
FEED MECHANISM COMPONENTS



FEED MECHANISM COMPONENTS

No.	Parts No.	Parts name	Remarks	Level	Cons	Qty
1	22941108	FEED ADJUST ROD	FOR DDL-8500-7-0B,-WB			1
2	22911507	FEED REGULATOR PIN				1
3	SS6090670TP	SCREW 9/64-40 L=6				2
4	22911606	FEED REGULATOR				1
5	22911705	FEED REGULATOR BUSHING				1
6	SS7120770SH	SCREW 3/16-28 L=7				1
7	22911804	FEED REGULATOR SCREW				1
8	22912109	SPRING				1
9	22912000	PIN				1
10	22940506	FEED DIAL				1
11	SS6121860SP	SCREW 3/16-28 L=18				1
12	22910202	ROCKER SHAFT CONNECTING ROD				1
13	22911101	WALKING FOOT PIN C				1
14	SS6090620SP	SCREW 9/64-40 L=6				1
15	22915003	CONNECTING ROD				1
16	RO092270200	RUBBER RING				1
17	22912406	FEED REVERSE SPRING				1
18	RE0500000K0	E-RING				1
19	22912257	FEED REVERSE ARM ASM.				1
20	11010410	FEED REVERSE ARM SCREW				1
21	RE0500000K0	E-RING				1
22	11037405	ADJUSTING LINK SPRING B				1
23	22911408	FEED REGULATOR CONNCTING ROD	FOR DDL-8500-7-00			1
24	22910905	WALKING FOOT PIN A				2
25	11008703	WALKING FOOT LINK				2
26	11008604	CONNECTING LINK A				2
27	22940951	FEED ADJUST LINK ASM.	FOR DDL-8500-7-0B,-WB			1
28	22910806	ADJUSTING LINK FULCRUM SHAFT A				2
29	SS8150710SP	SCREW 15/64-28 L=7				2
30	SS6090620SP	SCREW 9/64-40 L=6				2
31	22940803	FEED BAR SHAFT				1
32	RC0150001KP	RETAINING RING 13.8				1
33	B1613012I00	FEED DOG I				1
34	SS4080620TP	SCREW 1/8-44 L=6				2
35	22940753	FEED BAR ASM.				1
36	22941306	ADJUSTING LINK SPRING GUIDE				1
37	SS4110515SP	SCREW 11/64-40 L=5				2
38	22913701	FEED SPRING HOOK				1
39	22912901	FEED ROCKER SHAFT				1
40	22911002	WALKING FOOT PIN B				1
41	SS6090620SP	SCREW 9/64-40 L=6				1
42	NS6680410SP	NUT 9/32-28				1
43	22910350	FEED ROCKER SHAFT CRANK ASM.				1
44	SS6121610SP	SCREW 3/16-28 L=15.5		*		1
45	22915151	FEED ARM COMPL.				1
46	SS7121610SP	SCREW 3/16-28 L=15.5		*		1
47	SD1000801SH	HINGE SCREW D=10 H=8				1

FEED MECHANISM COMPONENTS

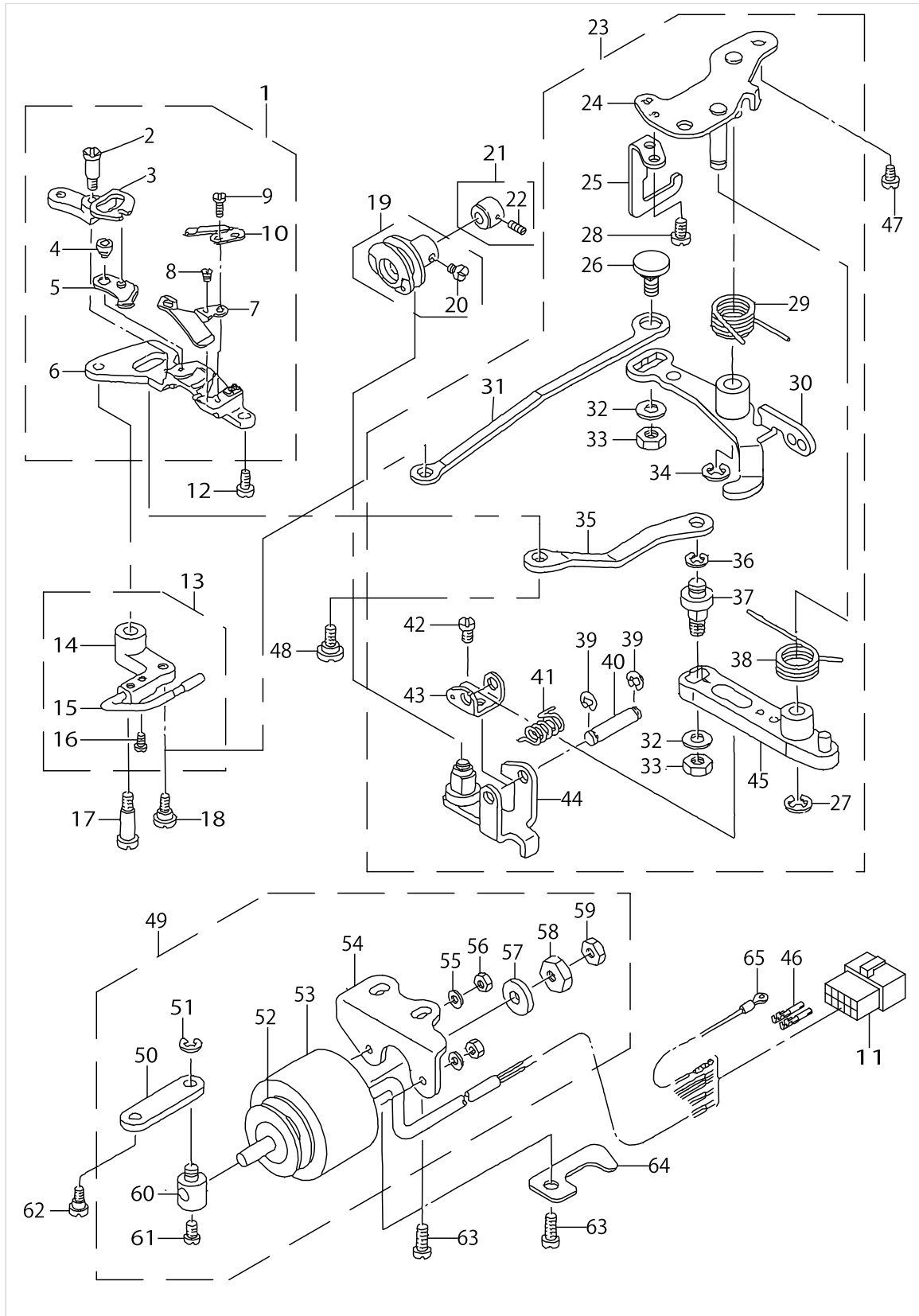


FEED MECHANISM COMPONENTS

No.	Parts No.	Parts name	Remarks	Level	Cons	Qty
48	22915201	FEED DRIVING SHAFT				1
49	22904155	THRUST COLLAR ASM.				1
50	SS8660610TP	SCREW 1/4-40 L=6		*		2
51	22913008	FEED ROCKER SHAFT BUSHING				2
52	22913800	HORIZONTAL FEED ROD B	FOR JE,JA			1
53	SS7110740TP	SCREW 11/64-40 L=7				1
54	RC0150001KP	RETAINING RING 13.8				1
55	22940654	FEED BAR CRANK ASM.				1
56	SS7121410TP	SCREW 3/16-28 L=14		*		1
57	22942056	DRIVING SHAFT CRANK ASM.				1
58	SS7111120SP	SCREW 11/64-40 L=10.5		*		1
59	B1636581C00	NEEDLE BEARING	SELECTIVE PART(FOR JE,JA)			1
60	22910459	WALKING FOOT ADJUSTING LINK	FOR DDL-8500-7-00			1
61	22904155	THRUST COLLAR ASM.				1
62	SS8660610TP	SCREW 1/4-40 L=6		*		2
63	RO078190100	RUBBER RING				1
64	22912604	FEED REVERSE SHAFT				1
65	22912802	FEED LEVER METAL				1
66	SM8061010TP	SCREW				1
67	SM8061050TP	SCREW				1
68	22912703	REVERSE FEED CONTROL LEVER				1
69	WP0480856SP	WASHER 4.8X8.4X0.8				1



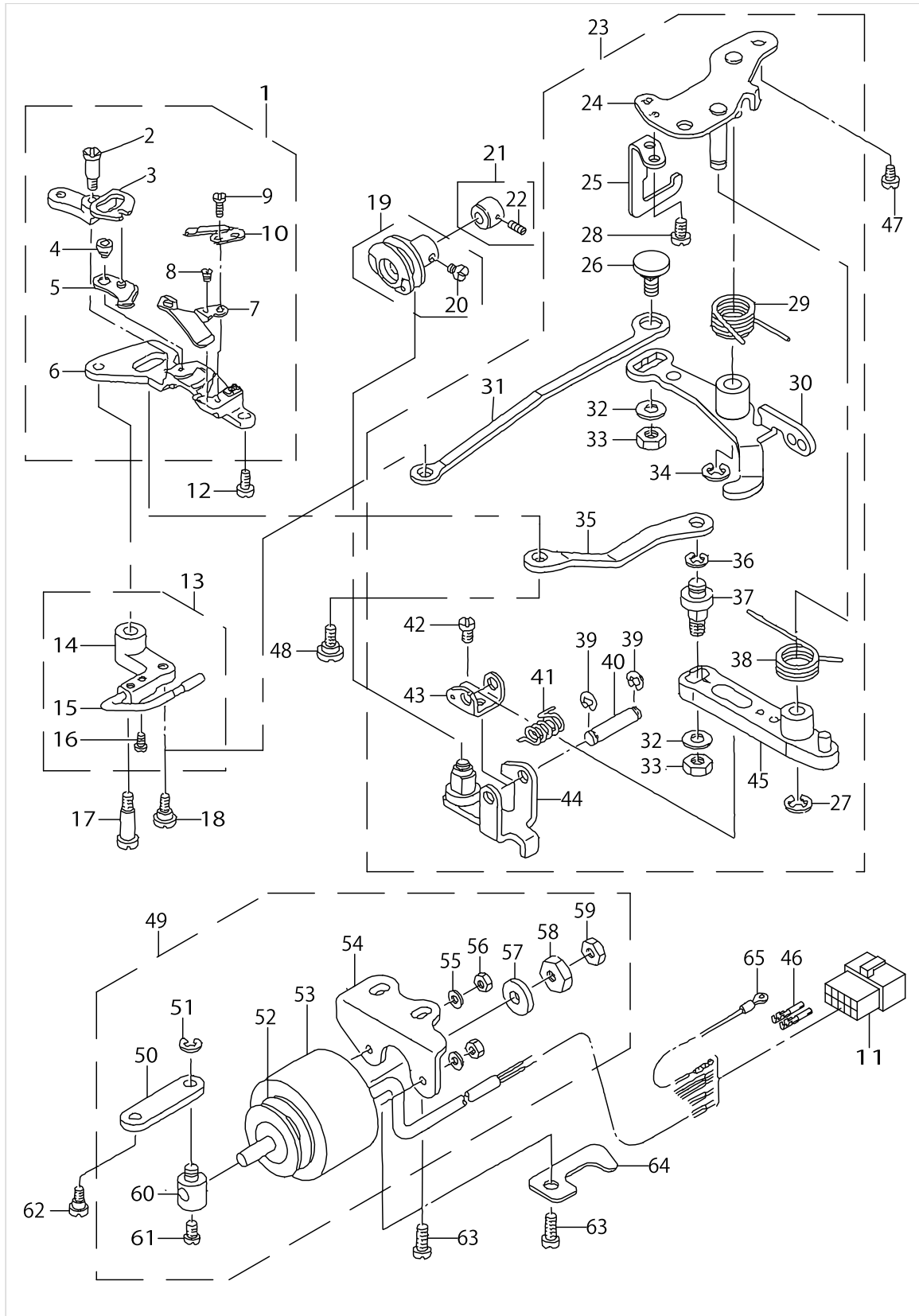
# THREAD TRIMMER COMPONENTS



THREAD TRIMMER COMPONENTS

No.	Parts No.	Parts name	Remarks	Level	Cons	Qty
1	11040359	KNIFE UNIT				1
2	SD0460703TP	HINGE SCREW D=4.6 H=7		*		1
3	11040508	FORKED BASE FOR KNIFE		*		1
4	11040409	MOVING KNIFE HINGE SCREW		*		1
5	11040052	MOVING KNIFE ASM.		*		1
6	11040300	KNIFE MOUNTING BASE		*		1
7	11040201	THREAD GUIDE FOR KNIFE		*		1
8	SS2060210SP	SCREW 3/32-56 L=2.3		*		1
9	SS4080620TP	SCREW 1/8-44 L=6		*		2
10	D2406555D0H	COUNTER KNIFE		*		1
11	HK034610140	HOUSING 14P				1
12	SS4110715SP	SCREW 11/64-40 L=7				1
13	22950257	PICKER ARM ASM.				1
14	22950208	PICKER ARM		*		1
15	22950356	THREAD TAKE-UP PICKER ASM.		*		1
16	SS6090510SP	SCREW 9/64-40 L=5		*		2
17	SD0641451SP	HINGE SCREW D= 6.35 H=14.5				1
18	SD0630275SP	HINGE SCREW D= 6.35 H= 2.7				1
19	11042850	THREAD TRIMMER CAM ASM.				1
20	SS6660610TP	SCREW 1/4-40 L=6		*		2
21	22950950	CAM COLLAR ASM.				1
22	SS8110520TP	SCREW 11/64-40 L= 4.5		*		1
23	22949762	THREAD TRIMMER DRIVING UNIT				1
24	22949754	BASE PLATE ASM.		*		1
25	22950703	DRIVING ARM STOPPE		*		1
26	22950000	PICKER LINK PIN		*		1
27	RE0600000K0	E-RING 6		*		1
28	SS4110715SP	SCREW 11/64-40 L=7		*		2
29	22949408	CLUTCH SPRING		*		1
30	11041852	CLUTCH PLATE ASM.		*		1
31	22950109	PICKER LINK		*		1
32	WP0621016SH	WASHER		*		2
33	NS6150430SP	NUT 15/64-28		*		2
34	RE0600000K0	E-RING 6		*		1
35	11040607	MOVING KNIFE LINK		*		1
36	RE0500000K0	E-RING		*		1
37	22948400	MOVING KNIFE LINK PIN		*		1
38	22949309	KNIFE RETURN SPRING B		*		1
39	RE0400000K0	E-RING 4		*		2
40	22949101	ROLLER FULCRUM SHAFT		*		1
41	22949200	ROLLER FULCRUM SPRING		*		1
42	SS7090610SP	SCREW 9/64-40 L=6		*		1
43	22949002	ROLLER ARM BRACKET		*		1
44	22948657	ROLLER ARM ASM.		*		1
45	11040854	KNIFE DRIVING ARM ASM.		*		1
46	HK03464000B	PIN CONTACT				2
47	SS4150915SP	SCREW 15/64-28 L=9				2

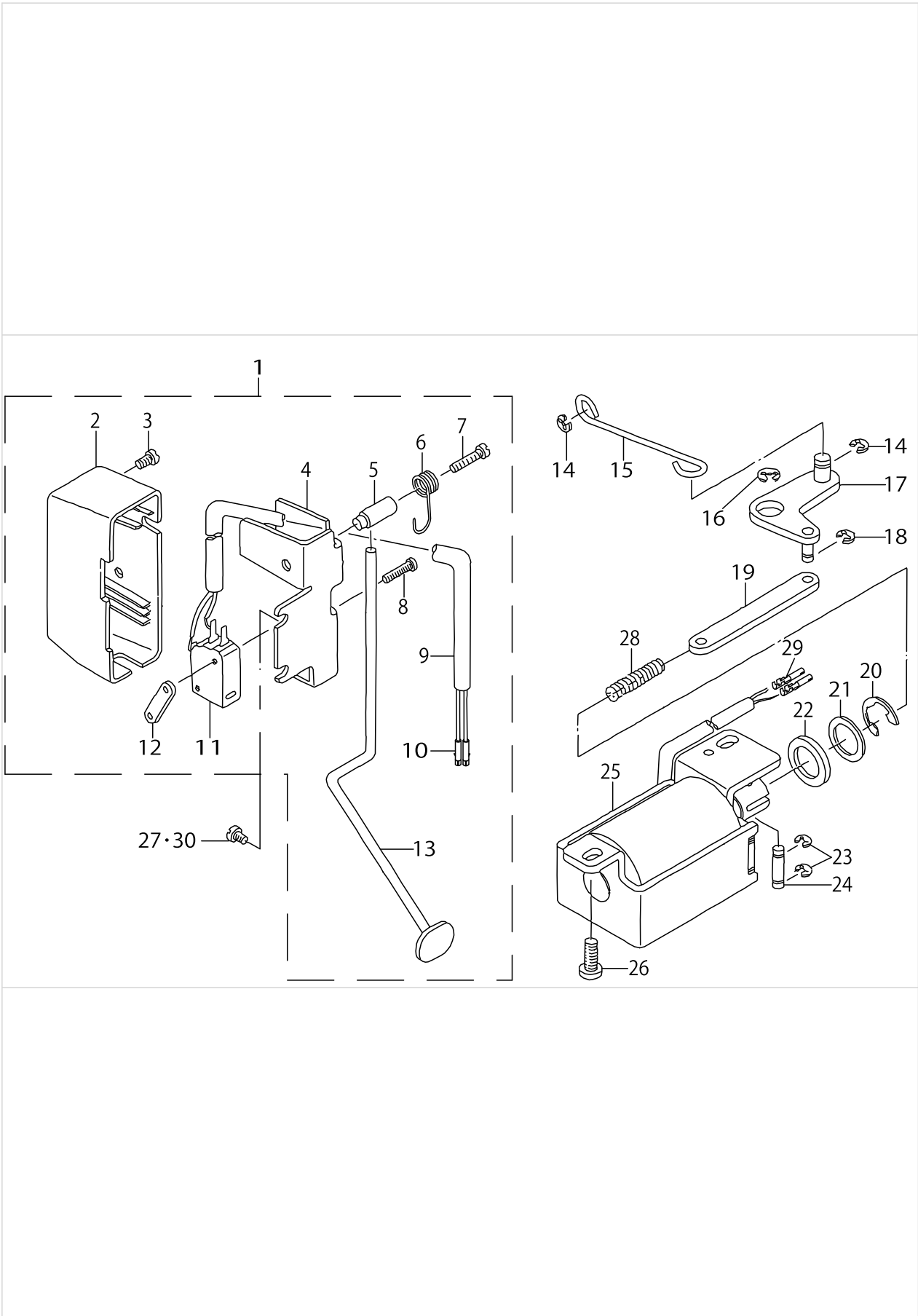
# THREAD TRIMMER COMPONENTS



THREAD TRIMMER COMPONENTS

No.	Parts No.	Parts name	Remarks	Level	Cons	Qty
48	SD0640631TP	HINGE SCREW D=6.35 H=6.3				1
49	22951164	SOLENOID UNIT				1
50	22949903	CLUTCH LINK		*		1
51	RE0500000K0	E-RING		*		1
52	11043205	SOLENOID RUBBER A		*		1
53	11043908	THREAD TRIMMER SOLENOID		*		1
54	22951404	SOLENOID BASE		*		1
55	WP0450000SD	WASHER 4.5X8X0.5		*		2
56	NM6040000SN	NUT M4		*		2
57	11043304	SOLENOID RUBBER		*		1
58	NS6660410SH	NUT		*		1
59	NS6660430SP	NUT 1/4-40		*		1
60	22951008	SOLENOID PIN		*		1
61	SS6110710TP	SCREW 11/64-40 L= 6.5		*		1
62	SD0600361SP	HINGE SCREW D=6 H=3.6				1
63	SS4151215SP	SCREW 15/64-28 L=12				2
64	22924807	TUBE HOLDER ,LOWER				1
65	11044054	GROUND WIRE ASM.				1

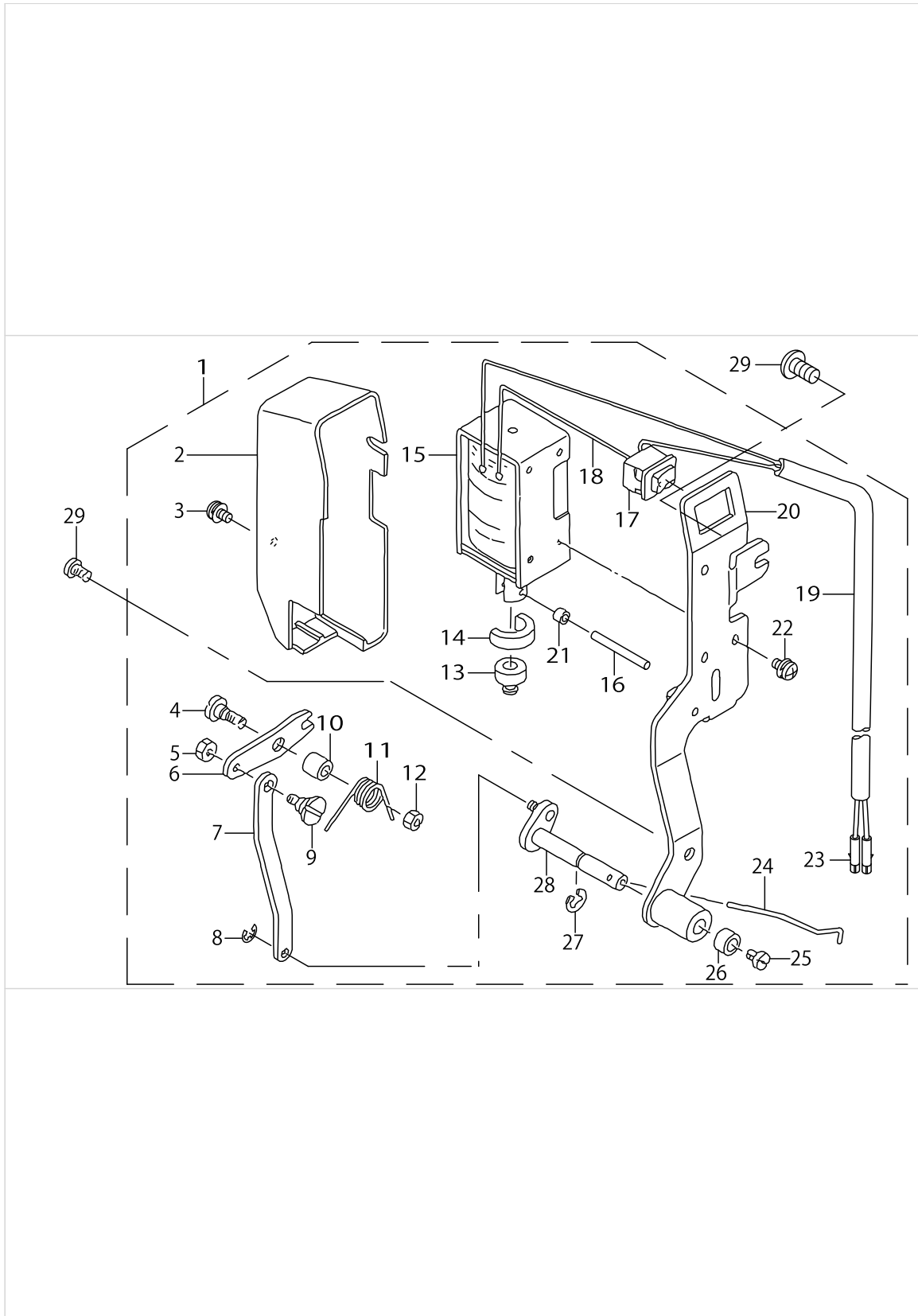
AUTOMATIC REVERSE FEED COMPONENTS



AUTOMATIC REVERSE FEED COMPONENTS

No.	Parts No.	Parts name	Remarks	Level	Cons	Qty
1	22954150	REVERSE FEED SWITCH ASM.				1
2	22954606	REVERSE FEED SWITCH COVER		*		1
3	SM4040655SP	SCREW M4 L=6		*		1
4	22954101	REVERSE FEED SWITCH BASE		*		1
5	22954200	REVERSE FEED SWITCH SHAFT		*		1
6	22954309	REVERSE FEED SWITCH SPRING		*		1
7	SM4041655SP	SCREW M4 L=16		*		1
8	SM4031501SC	SCREW M3 L=15		*		2
9	HW500070000	2-CORE CABTYRE CORD		*		1.31
10	HK03464000B	PIN CONTACT		*		2
11	HA001900000	MICROSWITCH		*		1
12	22954408	SWITCH HOLDING PLATE		*		1
13	22954507	REVERSE FEED SWITCH LEVER		*		1
14	RE0500000KP	E-RING 5				2
15	22953806	REVERSE FEED CONNECTING SHAFT				1
16	RE0900000K0	E-RING 9				1
17	22953657	CONNECTING ARM ASM.				1
18	RE0400000KP	E-RING 4				1
19	22953905	REVERSE FEED CONNECTING LINK				1
20	RE1200000K0	E-RING 12				1
21	WP1602616SZ	WASHER 16X24X2.6				1
22	D2468555B00	RUBBER PLUNGER				1
23	RE0400000K0	E-RING 4				2
24	22953509	PLUNGER ARM PIN				1
25	11102753	REVERSE FEED MAGNET ASM.				1
26	SS4151215SP	SCREW 15/64-28 L=12				2
27	SS4120915SP	SCREW 3/16-28 L=9				1
28	22954002	PLUNGER SPRING				1
29	HK03464000B	PIN CONTACT				2
30	SS4120615SP	SCREW 3/16-28 L=6	FOR DDL-8500-7-0B			1

# WIPER COMPONENTS

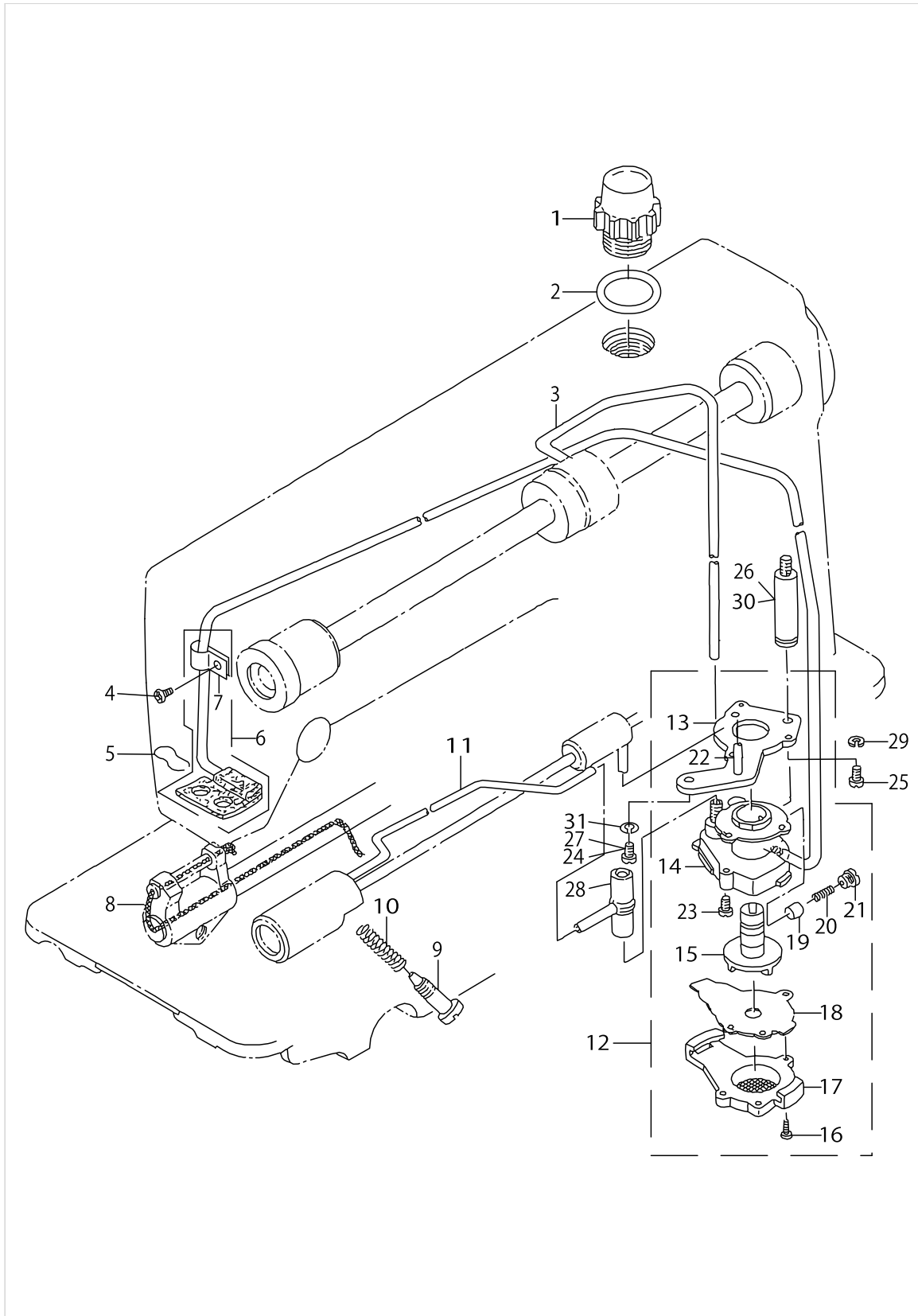


WIPER COMPONENTS

No.	Parts No.	Parts name	Remarks	Level	Cons	Qty
1	22955553	WIPER ASM.				1
2	22955504	WIPER COVER		*		1
3	SL4030621SS	SCREW M3		*		1
4	SD0650321TP	HINGE SCREW D=6.5 H=3.2		*		1
5	NS6090310SP	NUT 9/64-40		*		1
6	11110608	WIPER LINK A		*		1
7	22956403	WIPER LINK B		*		1
8	RE0250000K0	E-RING 2.5		*		1
9	22956908	WIPER LINK B ,HINGE SCREW		*		1
10	22956205	WIPER HINGE SCREW COLLAR		*		1
11	22956304	WIPER SPRING		*		1
12	NS6110310SP	NUT 11/64-40		*		1
13	22955900	WIPER RUBBER A		*		1
14	22956007	WIPER RUBBER B		*		1
15	11110301	WIPER SOLENOID		*		1
16	22957104	WIPER SOLENOID SHAFT		*		1
17	HA000590000	POWER SWITCH		*		1
18	HW200390000	ELECTRIC WIRE		*		0.04
19	HW500070000	2-CORE CABTYRE CORD		*		1.33
20	11110152	WIPER BASE ASM.		*		1
21	22957203	WIPER LINK COLLAR		*		1
22	SL4030641SE	SCREW		*		3
23	HK03464000B	PIN CONTACT		*		2
24	22957005	WIPER		*		1
25	SS6090540SP	SCREW 9/64-40 L= 5.0		*		1
26	22956809	WIPER COLLAR		*		1
27	RE0500000K0	E-RING		*		1
28	11111051	WIPER DRIVING SHAFT ASM.		*		1
29	SS4120915SP	SCREW 3/16-28 L=9				1



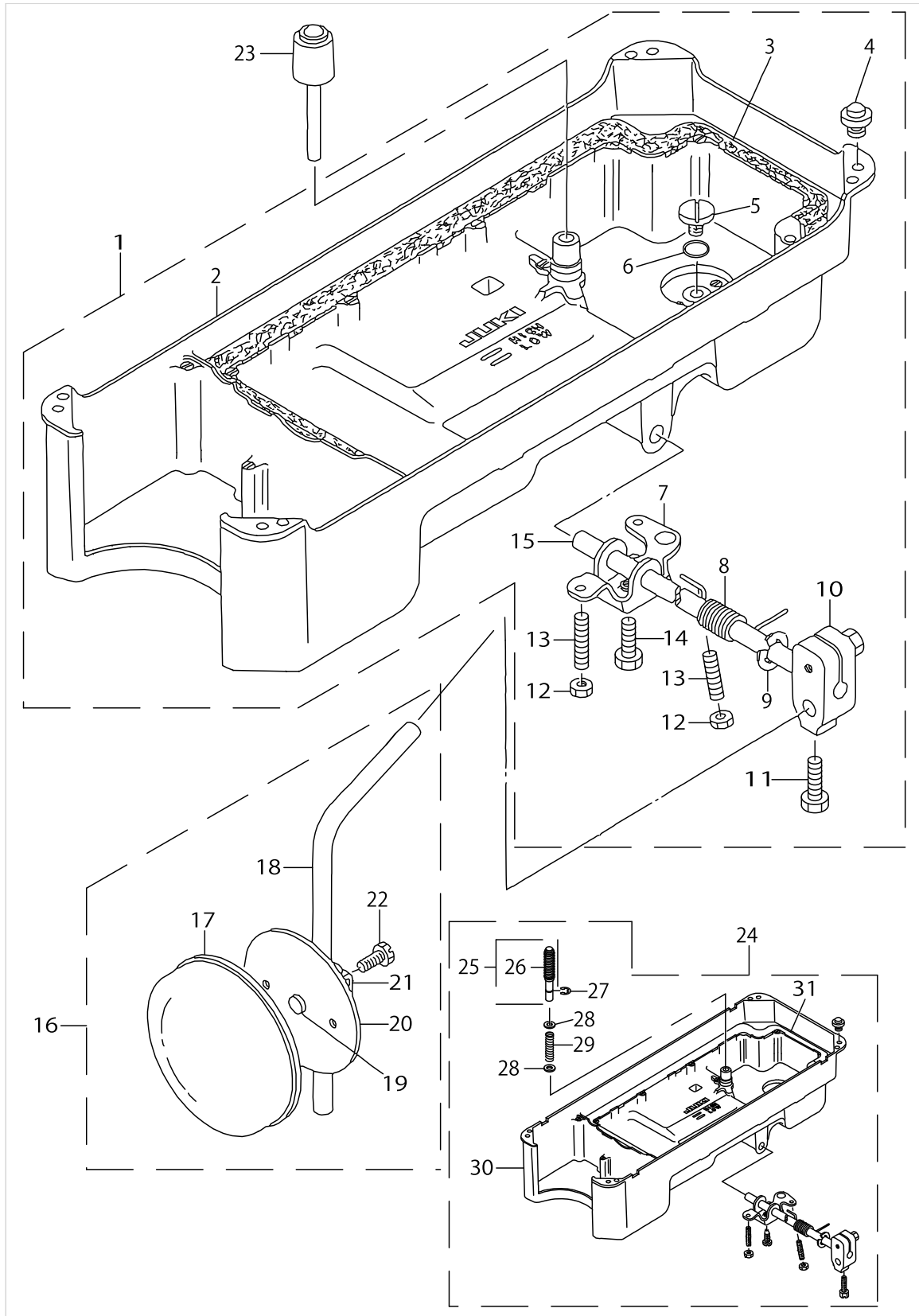
# OIL LUBRICATION COMPONENTS



OIL LUBRICATION COMPONENTS

No.	Parts No.	Parts name	Remarks	Level	Cons	Qty
1	22947006	OIL SIGHT WINDOW				1
2	RO195240100	RUBBER RING				1
3	22924401	MAIN SHAFT OIL TUBE				1
4	SS4120615SP	SCREW 3/16-28 L=6				1
5	22925101	OIL FELT PRESSER				1
6	22924153	OIL RETURN TUBE ASM.				1
7	22924302	HOLDER		*		1
8	CQ252000000	OIL WICK				0.21
9	22925002	OIL ADJUSTING SCREW				1
10	22924906	SPRING				1
11	22924500	OIL TUBE				1
12	22923056	LUBRICATING OIL PUMP ASM.				1
13	22923304	OIL PUMP INSTALLING BASE		*		1
14	22923007	OIL PUMP		*		1
15	22923700	OIL PUMP IMPELLER		*		1
16	SE4301041SR	SCREW D=3 L=10		*		3
17	22923205	LUBRICATING OIL PUMP COVER		*		1
18	22923809	OIL PUMP IMPELLER COVER		*		1
19	22923403	PLUNGER		*		1
20	22923601	PLUNGER SPRING		*		1
21	22923502	PLUNGER SCREW		*		1
22	22923908	HOOK DRIVING SHAFT OIL TUBE		*		1
23	SL4030851SF	SCREW M3 L=8		*		3
24	SS4150915SP	SCREW 15/64-28 L=9	FOR DDL-8500-7-00			1
25	SS6111010TP	SCREW 11/64-40 L= 9.5				1
26	22947105	OIL PUMP SUPPORT	FOR DDL-8500-7-0B,-WB			1
27	SS4151215SP	SCREW 15/64-28 L=12	FOR DDL-8500-7-0B,-WB			1
28	22924609	RUBBER JOINT				1
29	WS0451040KP	SPRING WASHER 4.5X8.5X1	FOR DDL-8500-7-0B,-WB			1
30	22924005	OIL PUMP SUPPORT	FOR DDL-8500-7-00			1
31	WS0651310KP	SPRING WASHER 6.5X11X1.3	FOR DDL-8500-7-0B,-WB			1

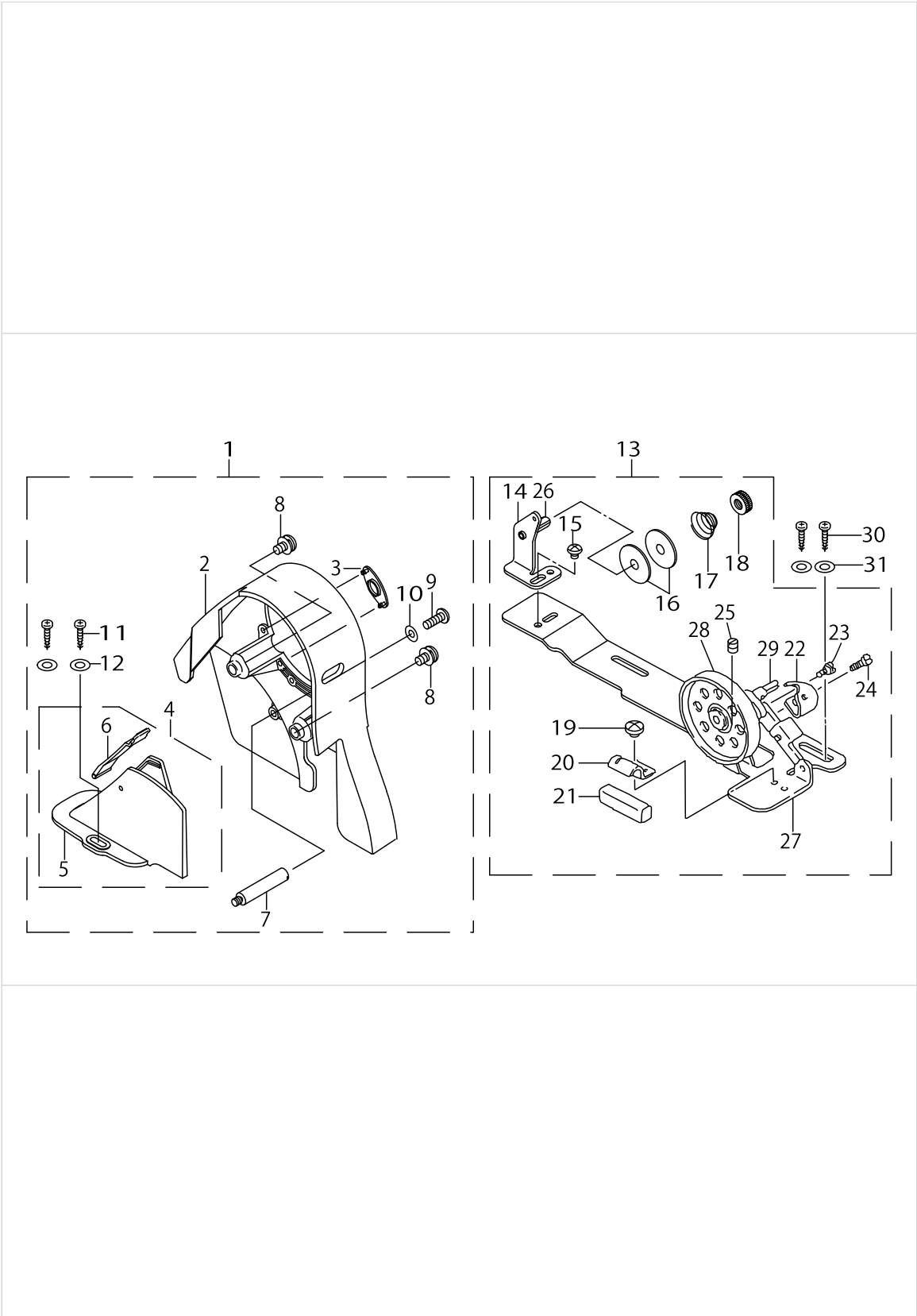
OIL RESERVOIR COMPONENTS



OIL RESERVOIR COMPONENTS

No.	Parts No.	Parts name	Remarks	Level	Cons	Qty
1	11047057	OIL RESERVOIR ASM.				1
2	11023017	OIL RESERVOIR		*		1
3	11024700	GASKET		*		1
4	11047107	RUBBER CUSHION		*		4
5	SS6700710SH	SCREW 5/16-24 L=7		*		1
6	RO108240100	RUBBER RING		*		1
7	11024015	CONNECTING ROT, VERTICAL		*		1
8	11024106	SPRING		*		1
9	RE1000000K0	E-RING 10		*		1
10	11024510	BRACKET		*		1
11	SM9062053SR	SCREW M6 L=20		*		2
12	NM6060001SE	NUT M6		*		2
13	SM8063012TR	SCREW M6 L=30		*		2
14	SM9061853SR	SCREW M6 L=17.5		*		1
15	11024205	KNEE PRESS ROD		*		1
16	22934251	KNEE PRESS PLATE ASM.				1
17	22934509	KNEE PRESS PLATE COVER		*		1
18	22934608	KNEE PRESS PLATE ROD		*		1
19	22934400	KNEE PRESS PLATE RUBBER		*		1
20	22934202	KNEE PRESS PLATE		*		1
21	22934301	KNEE PRESS PLATE HOLDER		*		1
22	SM9061203SE	SCREW M6 L=12		*		1
23	22931703	KNEE PRESS LIFTER ROD				1
24	11141454	OIL RESERVOIR ASM.	FOR JE & JO			1
25	GAK300010B0	KNEE PRESS LIFTER ROD ASM.	FOR JE & JO	*		1
26	GAK30004000	KNEE PRESS LIFTER ROD RUBBER	FOR JE & JO	*		1
27	RE0400000K0	E-RING 4	FOR JE & JO	*		1
28	WP0621016SD	WASHER 6.2X13X1	FOR JE & JO	*		2
29	GAK30005000	SPRING	FOR JE & JO	*		1
30	11141413	OIL RESERVOIR	FOR JE & JO	*		1
31	11141900	GASKET	FOR JE & JO	*		1

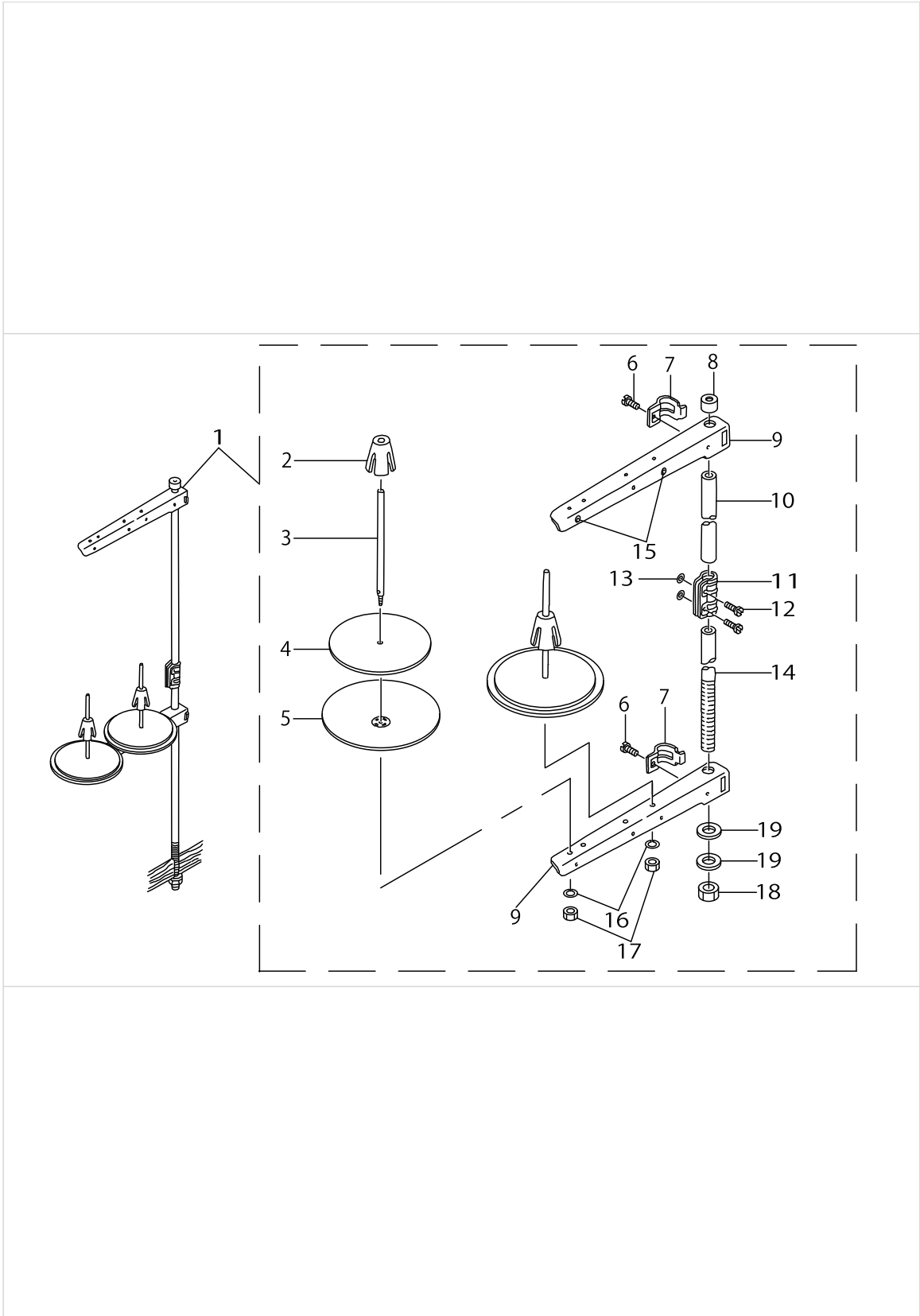
BELT COVER & BOBBIN COMPONENTS



BELT COVER & BOBBIN COMPONENTS

No.	Parts No.	Parts name	Remarks	Level	Cons	Qty
1	22933451	BELT COVER ASM.				1
2	22933402	BELT COVER A		*		1
3	22933501	BELT COVER A CAP		*		1
4	22933659	BELT COVER B ASM.		*		1
5	22933600	BELT COVER B		*		1
6	22933758	BELT COVER B CAP ASM.		*		1
7	22933907	BELT COVER SUPPORT ,A		*		1
8	22934004	BELT COVER A SCREW		*		2
9	SS4121415SP	SCREW 3/16-28 L=14		*		1
10	WP0501016SD	WASHER 5X10.5X1		*		1
11	SK3412000SC	WOOD SCREW D=4.1 L=20		*		2
12	WP0450826SC	WASHER 4.5X10X0.8		*		2
13	22927354	BOBBIN WINDER COMPL.				1
14	22928501	THREAD TENSION BRACKET		*		1
15	SS4110515SP	SCREW 11/64-40 L=5		*		1
16	22928907	THREAD TENSION DISK		*		2
17	22929004	THREAD TENSION SPRING		*		1
18	22928808	THREAD TENSION NUT		*		1
19	SS7110350SP	SCREW 11/64-40 L=3.5		*		1
20	22928402	RUBBER BRAKE PRESSER PLATE		*		1
21	22928303	RUBBER BRAKE		*		1
22	22928105	POSITIONING FINGER		*		1
23	SD0490261SP	HINGE SCREW D=4.9 H=2.6		*		1
24	SS7081310SP	SCREW 1/8-44 L=12.5		*		1
25	SS8110510SP	SCREW 11/64-40 L=5		*		1
26	22928709	THREAD TENSION BRACKET		*		1
27	22927305	BOBBIN BASE		*		1
28	22927404	BOBBIN PULLEY		*		1
29	22927602	BOBBIN WINDER POST		*		1
30	SK3412000SC	WOOD SCREW D=4.1 L=20				2
31	WP0450826SC	WASHER 4.5X10X0.8				2

# THREAD STAND COMPONENTS

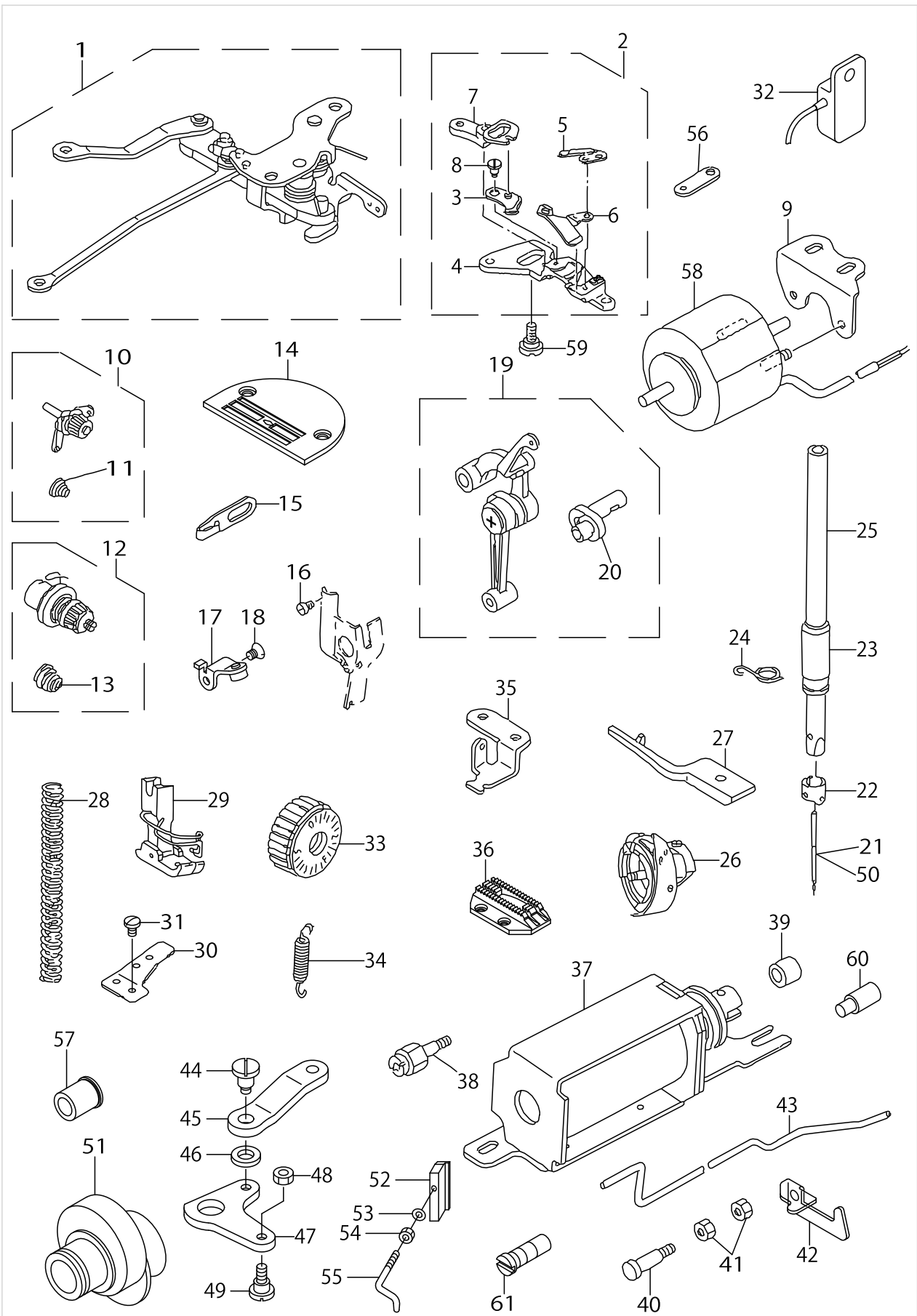


THREAD STAND COMPONENTS

No.	Parts No.	Parts name	Remarks	Level	Cons	Qty
1	22930358	THREAD STAND ASM.				1
2	22931109	SPOOL RETAINER		*		2
3	22931000	SPOOL PIN		*		2
4	22930903	SPOOL REST CUSHION		*		2
5	22930804	SPOOL REST		*		2
6	SM6061610SC	SCREW M6 L=16		*		2
7	22930705	THREAD GUIDE ARM JOINT		*		2
8	22931406	SPOOL REST ROD RUBBER CAP		*		1
9	22930507	SPOOL REST ARM		*		2
10	22930408	SPOOL REST ROD, UPPER		*		1
11	22931307	SPOOL REST ROD JOINT		*		1
12	SM4051405SE	SCREW M5 L=14		*		2
13	NM6050001SE	NUT M5		*		2
14	22930309	SPOOL REST ROD, LOWER		*		1
15	22931208	THREAD GUIDE		*		2
16	WS0510002KN	SPRING WASHER		*		2
17	NM6050001SE	NUT M5		*		2
18	NM6160511SE	NUT M16X1.5		*		1
19	WP1702600S0	WASHER 17X30X2.6		*		2



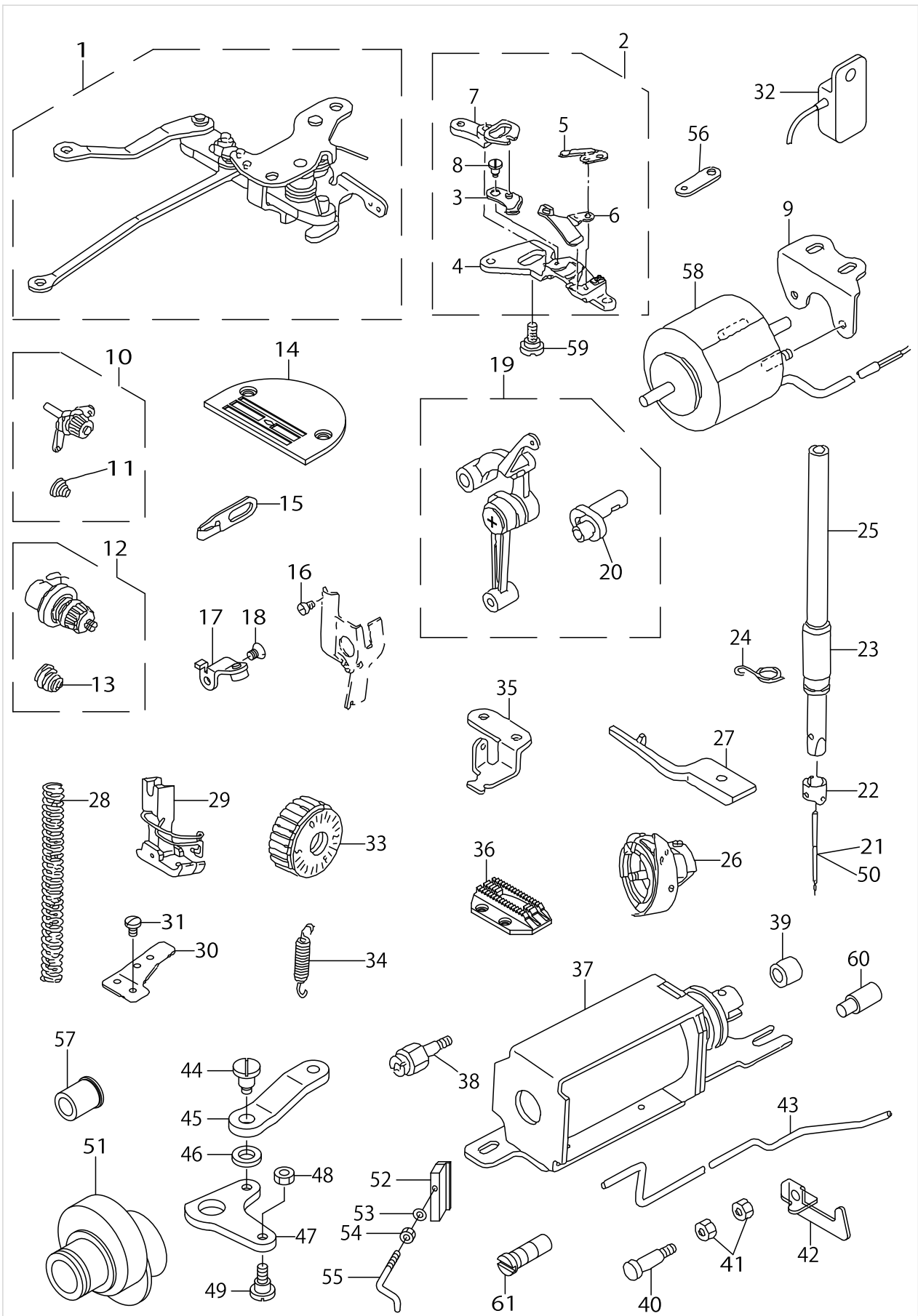
EXCLUSIVE PARTS FOR DDL-8500H-7



EXCLUSIVE PARTS FOR DDL-8500H-7

No.	Parts No.	Parts name	Remarks	Level	Cons	Qty
1	11096062	THREAD CUTTING DRIVING UNIT				1
2	11095551	KNIFE UNIT				1
3	11409257	MOVING KNIFE J ASM.		*		1
4	11095502	KNIFE MOUNT BASE		*		1
5	11409604	FIX KNIFE		*		1
6	11095403	KNIFE THREAD GUIDE		*		1
7	11095601	KNIFE BRANCH		*		1
8	SD0500131TP	HINGE SCREW D=5 H=1.25		*		1
9	11094901	SOLENOID BASE				1
10	11073954	THREAD TENSION ASM.				1
11	11093606	THREAD TENSION SPRING		*		1
12	11073657	THREAD TENSION ASM.				1
13	B3114232000	THREAD TENSION SPRING		*		1
14	11400801	THROAT PLATE J				1
15	11091006	ARM THREAD GUIDE (HA)				1
16	SS6080320SP	SCREW 1/8-44 L= 2.5				1
17	11095254	LEVER STOPPER ASM.	FOR DDL-8500H-7-0B,-WB			1
18	SS1120710SP	SCREW 3/16-28 L=6.5	FOR DDL-8500H-7-0B,-WB			1
19	11091659	LINK THREAD TAKE-UP LEVER ASM.				1
20	11091600	NEEDLE BAR CRANK H		*		1
21	MDB100B2100	NEEDLE DBX1 #21				1
22	B1418415H00	NEEDLE BAR THREAD GUIDE				1
23	B1403553000	NEEDLE BAR BUSHING, LOWER				1
24	B1419553000	NEEDLE BAR THREAD GUIDE				1
25	11091303	NEEDLE BAR				1
26	11092251	LUBRICATING HOOK ASM.				1
27	11093804	POSITIONING FINGER H				1
28	B1505552000A	PRESSER SPRING				1
29	D1524555EBL	PRESSER FOOT ASM.				1
30	11230901	WIRE PRESSER PLATE, B	FOR DDL-8500H-7-0B,-WB			1
31	SS7110740TP	SCREW 11/64-40 L=7	FOR DDL-8500H-7-0B,-WB			1
32	M6009350AAA	RESISTANCE PACK AA ASM.				1
33	22911903	FEED DIAL				1
34	11091204	ADJUST LINK SPRING				1
35	11091907	FEED SPRING HOOK				1
36	11403003	FEED J				1
37	11096658	SOLENOID MOUNTING BASE ASM.	FOR DDL-8500H-7-0B,-WB			1
38	11231503	OIL PUMP SUPPORT	FOR DDL-8500H-7-0B,-WB			1
39	11228103	REVERSE FEED BASE COLLAR	FOR DDL-8500H-7-0B,-WB			1
40	11314408	PLUNGER ARM PIN	FOR DDL-8500H-7-0B,-WB			1
41	NS6110420SP	NUT 11/64-40	FOR DDL-8500H-7-0B,-WB			2
42	11228301	TUBE HOLDER, LOWER	FOR DDL-8500H-7-0B,-WB			1
43	11094109	OIL TUBE				1
44	SD0700711TP	HINGE SCREW D=7 H=7.1	FOR DDL-8500H-7-0B,-WB			1
45	11101607	SOLENOID CONNECTING LINK	FOR DDL-8500H-7-0B,-WB			1
46	WP0722316SH	WASHER	FOR DDL-8500H-7-0B,-WB			1
47	11101508	REVERSE FEED LINK	FOR DDL-8500H-7-0B,-WB			1

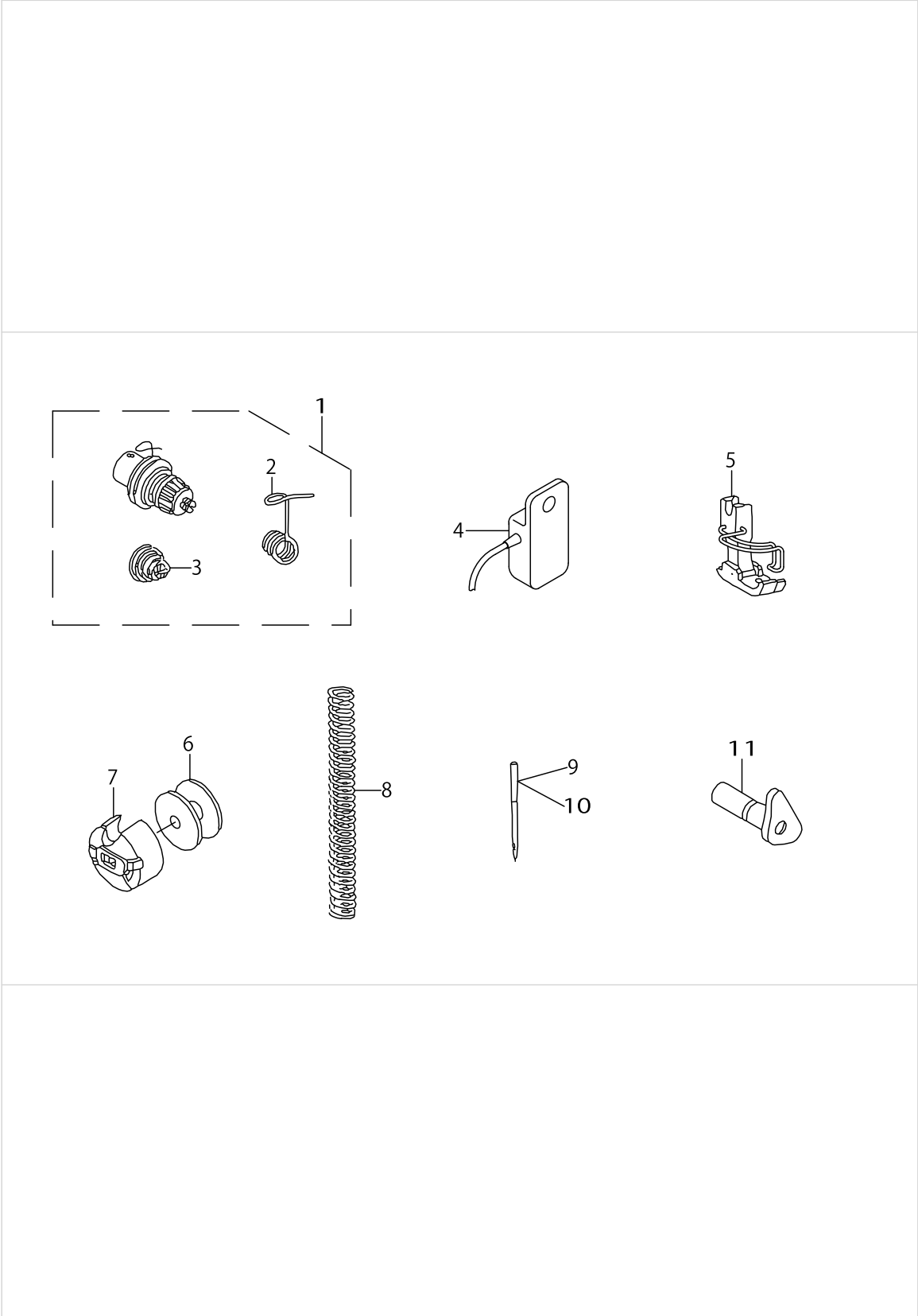
EXCLUSIVE PARTS FOR DDL-8500H-7



EXCLUSIVE PARTS FOR DDL-8500H-7

No.	Parts No.	Parts name	Remarks	Level	Cons	Qty
48	NS6110420SP	NUT 11/64-40	FOR DDL-8500H-7-0B,-WB			1
49	SD0700451TP	HINGE SCREW D=7 H=4.5	FOR DDL-8500H-7-0B,-WB			1
50	MC200501300	NEEDLE 134 NM130	FOR JE			1
51	11080900	FEED DRIVE ECCENTRIC CAM				1
52	11403805	THREAD GUIDE C FITTING PLATE				1
53	WP0371016SD	WASHER 3.7X8X1				1
54	NS6090310SP	NUT 9/64-40				1
55	11305513	ARM THREAD GUIDE, C				1
56	11094604	CLUTCH LINK				1
57	11009800	FEED REGULATOR BUSHING	FOR DDL-8500H-7-0B,-WB			1
58	11096500	THREAD TRIMMER SOLENOID				1
59	SD0550701TP	STEP-SCREW D=5.5 H=7				1
60	11008901	ADJUSTING LINK FULCRUM SHAFT B	FOR DDL-8500H-7-0B,-WB			1
61	B1213552000A	OIL ADJUSTING PIN				1

EXCLUSIVE PARTS FOR DDL-8500A-7



EXCLUSIVE PARTS FOR DDL-8500A-7

No.	Parts No.	Parts name	Remarks	Level	Cons	Qty
1	11073756	THREAD TENSION ASM.				1
2	D3128555D00	TAKE-UP SPRING		*		1
3	D3129555D00	THREAD TENSION SPRING		*		1
4	M6018350AAA	RESISTANCE PACK AA ASM.				1
5	D1524555DBA	PRESSER FOOT ASM.				1
6	B9117552A00	BOBBIN				1
7	B18370120A0	BOBBIN CASE ASM.				1
8	B1505227T00A	PRESSER SPRING T				1
9	MC200500650	NEEDLE 134 NM65	FOR JE			1
10	MDA100B0900	NEEDLE DAX1 #9				1
11	11092558	HAND LIFTER CAM ASM.				1

## HOW TO MAKE USE OF THIS PARTS LIST

1.As to "#01" and "#02" refer to the "Note" given at the bottom of the respective pages.

2.Codes on the "Qty" column

- Each numeral indicates the number of parts required.
- "0.1" and "2.5" indicate the length (in meters) of the respective parts.

3.Parentheses mean that the corresponding part is a subpart that constructs an assembly part.

4.Dotted lines on the Figures indicate assembly parts.

1. リストページの# 0 1、# 0 2の印は、ページ下の"注記"の説明を参照下さい。
2. 数量欄の数字は、個数を表し、0. 1、2. 5等の数値は、長さ（単位メートル）を表します。
3. 数量欄の（ ）は、組部品を構成している子部品であることを意味します。
4. イラストページの-----枠は、組構成であることを意味します。

# NUMERICAL INDEX OF PARTS

PART NO	PAGE	REF NO.	PART NO	PAGE	REF NO.	PART NO	PAGE	REF NO.
10004109	2	14	11080900	34	51	18077503	4	58
11000619	2	11	11091006	32	15	22900401	2	10
11001500	2	31	11091204	32	34	22900609	2	28
11005204	6	7	11091303	32	25	22900757	2	4
11006509	10	7	11091600	32	20	22901003	4	55
11008604	12	26	11091659	32	19	22901201	4	52
11008703	12	25	11091907	32	35	22901250	4	51
11008901	34	60	11092251	32	26	22901300	4	53
11009800	34	57	11092558	36	11	22901409	8	1
11010410	12	20	11093606	32	11	22902159	2	1
11018108	10	29	11093804	32	27	22902209	2	2
11018306	10	26	11094109	32	43	22902605	4	61
11018405	10	24	11094604	34	56	22903009	6	38
11018801	8	7	11094901	32	9	22903108	6	15
11023017	26	2	11095254	32	17	22903157	6	10
11024015	26	7	11095403	32	6	22903207	6	25
11024106	26	8	11095502	32	4	22903306	6	27
11024205	26	15	11095551	32	2	22903405	6	20
11024510	26	10	11095601	32	7	22903504	6	21
11024700	26	3	11096062	32	1	22903702	6	3
11032562	6	37	11096500	34	58	22903900	6	40
11037405	12	22	11096658	32	37	22904007	6	26
11038650	8	24-34	11101508	32	47	22904155	6	23
11038759	8	42	11101607	32	45	22904155	14	61
11039062	6	5	11102753	20	25	22905004	8	23
11039070	6	4	11110152	22	20	22905103	8	25
11040052	16	5	11110301	22	15	22905202	8	26
11040201	16	7	11110608	22	6	22906101	8	2
11040300	16	6	11111051	22	28	22906200	8	8
11040359	16	1	11141207	8	3-44	22906309	8	10
11040409	16	4	11141355	8	24-34	22906457	8	4
11040508	16	3	11141413	26	30	22906507	8	6
11040607	16	35	11141454	26	24	22907000	10	35
11040854	16	45	11141900	26	31	22907109	10	39
11041852	16	30	11228103	32	39	22907208	10	34
11042850	16	19	11228301	32	42	22907307	10	36
11043205	18	52	11230901	32	30	22907406	10	33
11043304	18	57	11231503	32	38	22907505	10	30
11043908	18	53	11305513	34	55	22907604	10	31
11044054	18	65	11314408	32	40	22907703	10	32
11047057	26	1	11400801	32	14	22907802	10	1
11047107	26	4	11403003	32	36	22908008	10	9
11073657	32	12	11403805	34	52	22908156	10	5
11073756	36	1	11409257	32	3	22908305	10	15
11073954	32	10	11409604	32	5	22908552	10	4



# NUMERICAL INDEX OF PARTS

PART NO	PAGE	REF NO.	PART NO	PAGE	REF NO.	PART NO	PAGE	REF NO.
22908800	10	14	22920607	2	47	22930804	30	5
22908909	10	11	22921209	2	38	22930903	30	4
22909006	10	13	22921308	2	33	22931000	30	3
22910004	6	18	22921407	2	34	22931109	30	2
22910053	6	16	22921506	2	37	22931208	30	15
22910103	6	42	22921605	2	39	22931307	30	11
22910202	12	12·52	22921704	2	35	22931406	30	8
22910350	12	43	22921803	2	36	22931703	26	23
22910459	14	60	22923007	24	14	22932909	8	41
22910806	12	28	22923056	24	12	22933402	28	2
22910905	12	24	22923205	24	17	22933451	28	1
22911002	12	40	22923304	24	13	22933501	28	3
22911101	12	13	22923403	24	19	22933600	28	5
22911408	12	23	22923502	24	21	22933659	28	4
22911507	12	2	22923601	24	20	22933758	28	6
22911606	12	4	22923700	24	15	22933907	28	7
22911705	12	5	22923809	24	18	22934004	28	8
22911804	12	7	22923908	24	22	22934202	26	20
22911903	32	33	22924005	24	30	22934251	26	16
22912000	12	9	22924153	24	6	22934301	26	21
22912109	12	8	22924302	24	7	22934400	26	19
22912257	12	19	22924401	24	3	22934509	26	17
22912406	12	17	22924500	24	11	22934608	26	18
22912604	14	64	22924609	24	28	22935209	4	59
22912703	14	68	22924807	18	64	22935308	2	20
22912802	14	65	22924906	24	10	22935407	4	57
22912901	12	39	22925002	24	9	22937056	6	34
22913008	14	51	22925101	24	5	22937064	6	30
22913701	12	38	22927305	28	27	22939508	8	3·44
22913800	14	12·52	22927354	28	13	22940506	12	10
22915003	12	15	22927404	28	28	22940654	14	55
22915151	12	45	22927602	28	29	22940753	12	35
22915201	14	48	22928105	28	22	22940803	12	31
22916001	8	31	22928303	28	21	22940951	12	27
22916100	8	35	22928402	28	20	22941108	12	1
22916308	8	27	22928501	28	14	22941306	12	36
22916506	8	40	22928709	28	26	22942056	14	57
22916555	8	38	22928808	28	18	22942502	8	32
22916605	8	39	22928907	28	16	22942601	8	43
22917058	8	36	22929004	28	17	22944508	10	18
22917157	8	29	22930309	30	14	22944607	10	20
22919203	6	29	22930358	30	1	22944706	10	42
22919559	6	2	22930408	30	10	22944854	10	28
22920201	10	23	22930507	30	9	22945109	10	25
22920508	2	30	22930705	30	7	22945307	2	40

# NUMERICAL INDEX OF PARTS

PART NO	PAGE	REF NO.	PART NO	PAGE	REF NO.	PART NO	PAGE	REF NO.
22945356	2	32	22955900	22	13	D3129555D00	36	3
22945406	2	22	22956007	22	14	EA9500B0100	6	28
22945455	2	21	22956205	22	10	GAK300010B0	26	25
22945505	2	25	22956304	22	11	GAK30004000	26	26
22945604	2	23	22956403	22	7	GAK30005000	26	29
22945703	2	26	22956809	22	26	HA000590000	22	17
22945802	2	24	22956908	22	9	HA001900000	20	11
22947006	24	1	22957005	22	24	HK034610140	16	11
22947105	24	26	22957104	22	16	HK03464000B	16	46
22948400	16	37	22957203	22	21	HK03464000B	20	29
22948657	16	44	22958300	2	7	HK03464000B	22	23
22949002	16	43	B1109012I0B	2	44	HW200390000	22	18
22949101	16	40	B1109552000	4	60	HW500070000	20	9
22949200	16	41	B1213552000A	34	61	HW500070000	22	19
22949309	16	38	B13050120A0	8	14	M40071100AA	6	35
22949408	16	29	B13061550A0	8	16	M40071100AB	6	36
22949754	16	24	B13061550B0	8	13	M6008350AAA	4	63·67~ 69
22949762	16	23	B13061550C0	8	12	M6008350AAC	4	63·67~ 69
22949903	18	50	B13071550A0	8	19	M6008350AAC	4	63·67~ 69
22950000	16	26	B13071550B0	8	18	M6008350AAF	4	63·67~ 69
22950109	16	31	B13081550A0	8	21	M6008350AAL	4	63·67~ 69
22950208	16	14	B1403553000	32	23	M6009350AAA	32	32
22950257	16	13	B1408552000	6	8	M6018350AAA	36	4
22950356	16	15	B1418415H00	32	22	MC200500650	36	9
22950703	16	25	B1419553000	32	24	MC200500900	8	11·28
22950950	16	21	B1505227T00A	36	8	MC200501300	34	50
22951008	18	60	B1505552000A	32	28	MDA100B0900	36	10
22951164	18	49	B1521555000	10	2	MDB100B1400	8	11·28
22951404	18	54	B15240120BA	10	41	MDB100B2100	32	21
22952501	2	18	B1613012I00	12	33	NM6040000SN	18	56
22953509	20	24	B1636581C00	14	59	NM6050001SE	30	17
22953657	20	17	B18370120A0	36	7	NM6060001SE	26	12
22953806	20	15	B1903552000	6	9	NM6160511SE	30	18
22953905	20	19	B1905541B00	6	6	NS6090310SP	22	5
22954002	20	28	B3114232000	32	13	NS6090310SP	34	54
22954101	20	4	B3118552E00	2	43	NS6110310SP	22	12
22954150	20	1	B9117552A00	36	6	NS6110420SP	32	48
22954200	20	5	CM300200001	2	12	NS6110420SP	34	48
22954309	20	6	CM3002001A1	2	13	NS6150430SP	16	33
22954408	20	12	CQ252000000	24	8	NS6620310SP	10	21
22954507	20	13	D1524555DBA	36	5	NS6660410SH	18	58
22954606	20	2	D1524555EBL	32	29	NS6660430SP	18	59
22954705	2	9	D2406555D0H	16	10	NS6680410SP	12	42
22955504	22	2	D2468555B00	20	22			
22955553	22	1	D3128555D00	36	2			

NUMERICAL INDEX OF PARTS

PART NO	PAGE	REF NO.	PART NO	PAGE	REF NO.	PART NO	PAGE	REF NO.
RC0150001KP	12	54	SM4040655SP	20	3	SS6090670TP	12	3
RC0150001KP	14	54	SM4041655SP	20	7	SS6090910SP	10	38
RC1850001KP	6	22	SM4051405SE	30	12	SS6110420TP	8	30
RE0250000K0	22	8	SM6061610SC	30	6	SS6110610TP	4	48
RE0400000K0	16	39	SM8061010TP	14	66	SS6110710TP	18	61
RE0400000K0	20	23	SM8061050TP	14	67	SS6111010TP	24	25
RE0400000K0	26	27	SM8063012TR	26	13	SS6111210SP	6	31
RE0400000KP	20	18	SM9061203SE	26	22	SS6121610SP	12	44
RE0500000K0	10	22	SM9061853SR	26	14	SS6121840SP	2	17
RE0500000K0	12	21	SM9062053SR	26	11	SS6121860SP	12	11
RE0500000K0	16	51	SS1120710SP	32	18	SS6660610TP	16	20
RE0500000K0	18	51	SS2060210SP	16	8	SS6661110SP	6	17
RE0500000K0	22	27	SS2110915SP	2	46	SS6700710SH	26	5
RE0500000KP	20	14	SS2110920TP	2	45	SS7080510TP	8	9
RE0600000K0	16	34	SS4080620TP	12	34	SS7081310SP	28	24
RE0900000K0	20	16	SS4080620TP	16	9	SS7090610SP	16	42
RE1000000K0	26	9	SS4110515SP	12	37	SS7091110SP	10	40
RE1200000K0	20	20	SS4110515SP	28	15	SS7110350SP	28	19
RO029180100	6	41	SS4110715SP	16	28	SS7110410SP	10	43
RO037180100	10	3	SS4110915SP	8	33	SS7110540SP	4	62
RO044240100	6	13	SS4120615SP	2	29	SS7110720SP	10	16
RO078190100	14	63	SS4120615SP	10	27	SS7110740TP	14	53
RO092270200	12	16	SS4120615SP	20	27·30	SS7110740TP	32	31
RO108240100	26	6	SS4120615SP	24	4	SS7111120SP	14	58
RO195240100	24	2	SS4120915SP	2	50	SS7120770SH	12	6
SD0460703TP	16	2	SS4120915SP	4	50	SS7121410TP	14	56
SD0490261SP	28	23	SS4120915SP	8	46	SS7121610SP	12	46
SD0500131TP	32	8	SS4120915SP	20	27·30	SS7681650TP	6	14
SD0550701TP	34	59	SS4120915SP	22	29	SS8090670SP	2	41
SD0600361SP	18	62	SS4121215SP	4	64	SS8110410TP	8	37
SD0630275SP	16	18	SS4121415SP	28	9	SS8110510SP	28	25
SD0640631TP	18	48	SS4150915SP	10	17	SS8110520TP	16	22
SD0641451SP	16	17	SS4150915SP	16	47	SS8150710SP	2	42
SD0650321TP	22	4	SS4150915SP	24	24	SS8150710SP	12	29
SD0700451TP	34	49	SS4151215SP	18	63	SS8151150SP	6	1
SD0700711TP	32	44	SS4151215SP	20	26	SS8151550SP	6	33
SD0720331SP	10	12	SS4151215SP	24	27	SS8660610TP	6	24
SD1000801SH	12	47	SS6060210SP	4	54	SS8660610TP	14	62
SE4301041SR	24	16	SS6080320SP	32	16	SS8660810TP	8	22
SK3412000SC	28	30	SS6080410SP	2	3	SS8660810TP	10	37
SL4030621SS	22	3	SS6090510SP	16	16	SS8681650TP	6	11
SL4030641SE	22	22	SS6090540SP	22	25	TA0850604R0	2	5
SL4030851SF	24	23	SS6090620SP	12	41	TA1250406R0	4	49
SL4051001MZ	6	39	SS6090650SP	6	19	TA1250705R0	2	6
SM4031501SC	20	8	SS6090670TP	8	5	TA2000502R0	2	16

## NUMERICAL INDEX OF PARTS

PART NO	PAGE	REF NO.
TA2101002R0	2	19
WP0371016SD	34	53
WP0450000SD	18	55
WP0450801SD	6	32
WP0450826SC	28	31
WP0480856SP	14	69
WP0501016SD	4	66
WP0501016SD	28	10
WP0621016SD	26	28
WP0621016SH	16	32
WP0722316SH	32	46
WP1602616SZ	20	21
WP1702600S0	30	19
WS0451040KP	24	29
WS0510002KN	30	16
WS0510002KP	4	65
WS0651310KP	24	31
WT0530002KS	4	56