

MODEL : LS-341N/LS-341N-7

List No : 1231-01

# PARTS LIST

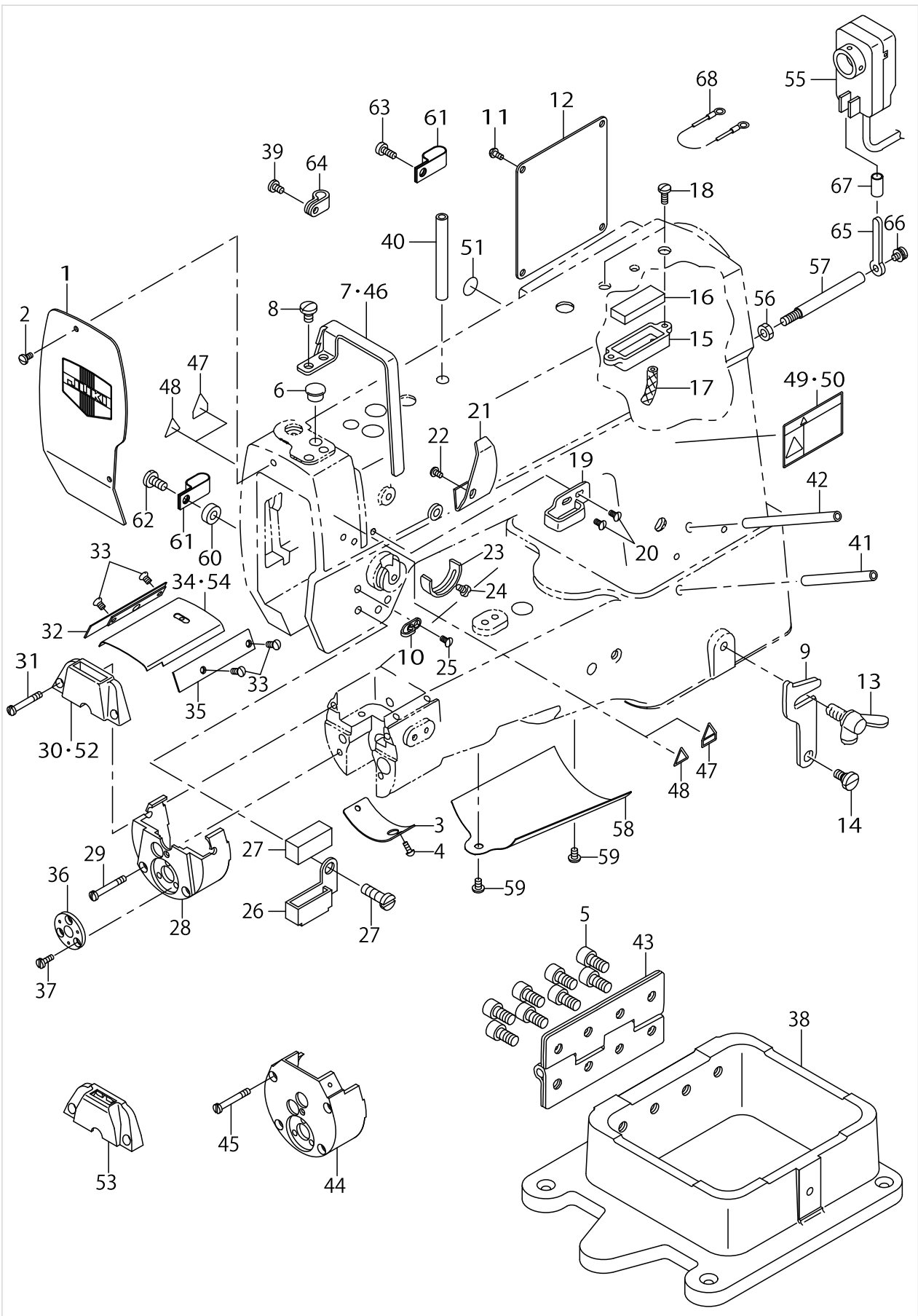
Published:02/15/2019

## CONTENTS

---

FRAME & MISCELLANEOUS COVER COMPONENTS .....	1
MAIN SHAFT & THREAD TAKE-UP LEVER COMPONENTS .....	5
NEEDLE BAR & HOOK DRIVING SHAFT COMPONENTS NEEDLE BAR & HOOK DRIVING SHAFT. COMPONENTS	9
PRESSER BAR COMPONENTS .....	13
UPPER FEED MECHANISM COMPONENTS .....	15
FEED MECHANISM COMPONENTS .....	17
THREAD TRIMMER COMPONENTS (FOR LS-341N-7) .....	21
AUTOMATIC REVERSE FEED MECHANISM COMPONENTS (FOR LS-341N-7) .....	23
THREAD TENSION COMPONENTS (1) (FOR LS-341N) .....	25
THREAD TENSION COMPONENTS (2) (FOR LS-341N-7) .....	27
BELT COVER & BOBBIN WINDER COMPONENTS .....	29
KNEE LIFTER COMPONENTS .....	31
AUTOMATIC HAND LIFTER COMPONENTS (FOR LS-341N-7) .....	33
AIR COMPONENTS (FOR LS-341N-7) .....	35
THREAD STAND COMPONENTS .....	37
GAUGE COMPONENTS (FOR LS-341N) .....	39
LIST FOR INFORMATION OF CHANGE .....	41
HOW TO MAKE USE OF THIS PARTS LIST .....	42

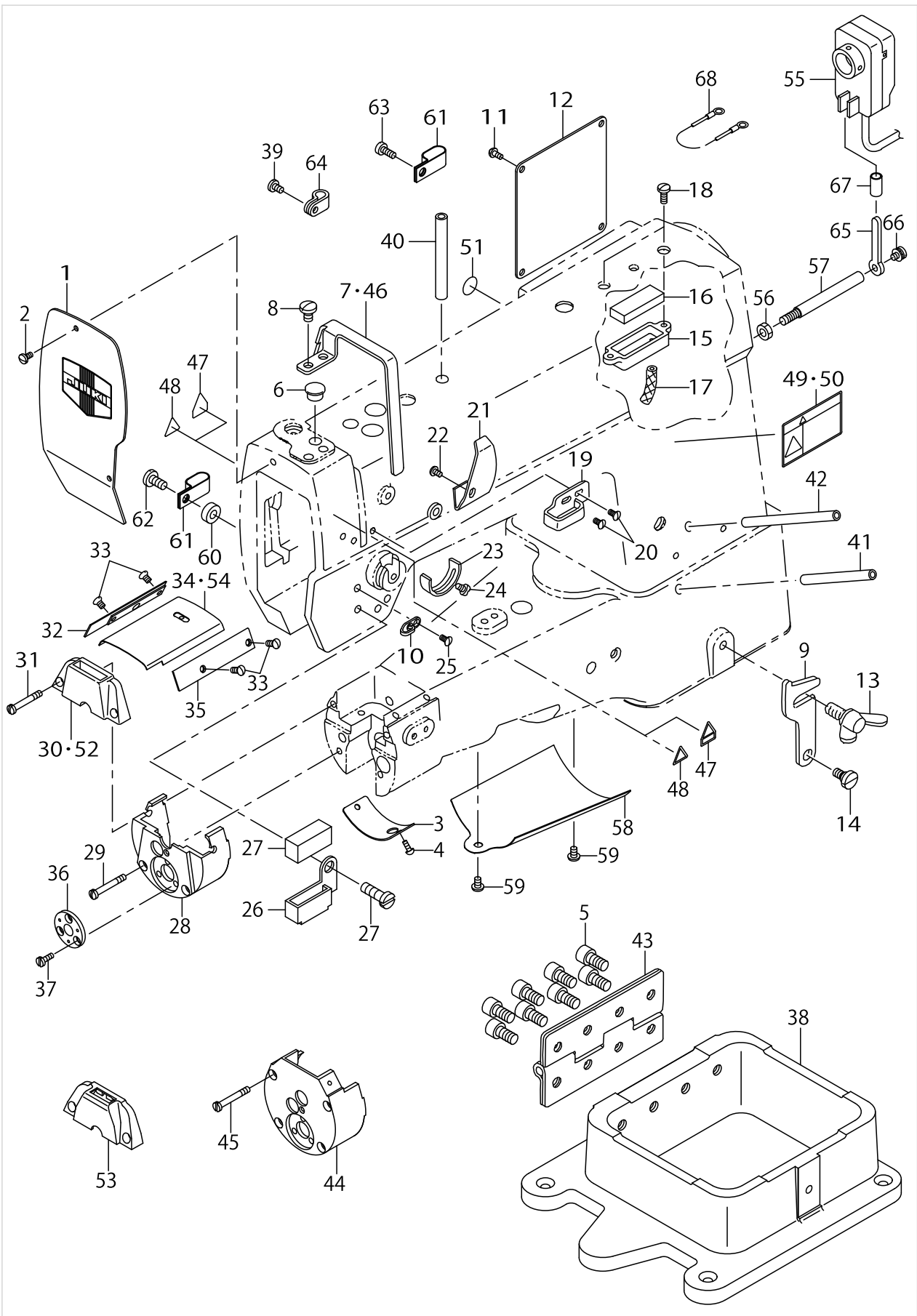
FRAME & MISCELLANEOUS COVER COMPONENTS



FRAME & MISCELLANEOUS COVER COMPONENTS

No.	Parts No.	Parts name	Remarks	Level	Cons	Qty
1	21237854	SIDE PLATE ASM.				1
2	SS7090710SP	SCREW 9/64-40 L= 6.8				2
3	21220900	GEAR COVER				1
4	SS5090610SP	SCREW 9/64-40 L=6				2
5	SM6082002SP	SCREW M8 L=20				8
6	TA1100604R0	PLUG				1
7	D1158241E0A	THREAD TAKE-UP LEVER COVER	EXCEPT JAPAN ,JE			1
8	SS7150940SP	SCREW 15/64-28 L=9				2
9	B1117246000	HOOK				1
10	B1130051000	FRAME THREAD GUIDE, MIDDLE				1
11	SS7110710SP	SCREW 11/64-40 L=7				4
12	21237904	SIDE PLATE	FOR LS-341N			1
13	B1116246000	WING BOLT				1
14	SD0800352SP	HINGE SCREW D= 8 H= 3.5				1
15	21223201	OIL PAN				1
16	B3503115000	OIL RESERVOIR FELT				1
17	CQ202000000	OIL WICK				0.08
18	SS7111120SP	SCREW 11/64-40 L=10.5				2
19	B1129563000	FRAME THREAD GUIDE, UPPER				1
20	SS2090710SP	SCREW 9/64-40 L=7				2
21	B1140051000	TAKE-UP OIL SPLASHER				1
22	SS5090610SP	SCREW 9/64-40 L=6				1
23	B3138512000	TAKE-UP SPRING ADJUSTING PLATE				1
24	SS7090520SP	SCREW 9/64-40 L= 4.5				1
25	SS2090710SP	SCREW 9/64-40 L=7				2
26	B1130528000	THREAD GUIDE, LOWER				1
27	B1131528000	FELT				1
28	B1106340000	THROAT PLATE BASE FRAME				1
29	SS7113110SP	SCREW 1/64-40 L=30				2
30	21221908	THOAT PLATE	FOR LS-341N			1
31	SS7112810SP	SCREW 11/64-40 L=28				2
32	23100605	BED SLIDE SIDE PLATE , LEFT				1
33	SS2090520SL	SCREW 9/64-40 L=5				4
34	21220413	BED PLATE	FOR LS-341N			1
35	23100506	BED SLIDE SIDE PLATE , RIGHT				1
36	21227905	LOWER SHAFT FRONT METAL				1
37	SS7110410SP	SCREW 11/64-40 L=4				3
38	21237607	MACHINE BASE				1
39	SS7110710SP	SCREW 11/64-40 L=7	EXCEPT LS-341N			2
40	PS0600302KP	SPRING PIN				1
41	PS060024100	SPRING PIN 6X24				1
42	PS0600602KP	SPRING PIN				1
43	B1128246000	HINGE				1
44	21220504	THROAT PLATE BASE FRAME	OPTIONAL PARTS			1
45	SS7113110SP	SCREW 1/64-40 L=30	OPTIONAL PARTS			4
46	B115824500A	THREAD TAKE-UP LEVER COVER	FOR JAPAN ,JE			1
47	CM3002000B1	LABEL(16)	FOR JAPAN			3

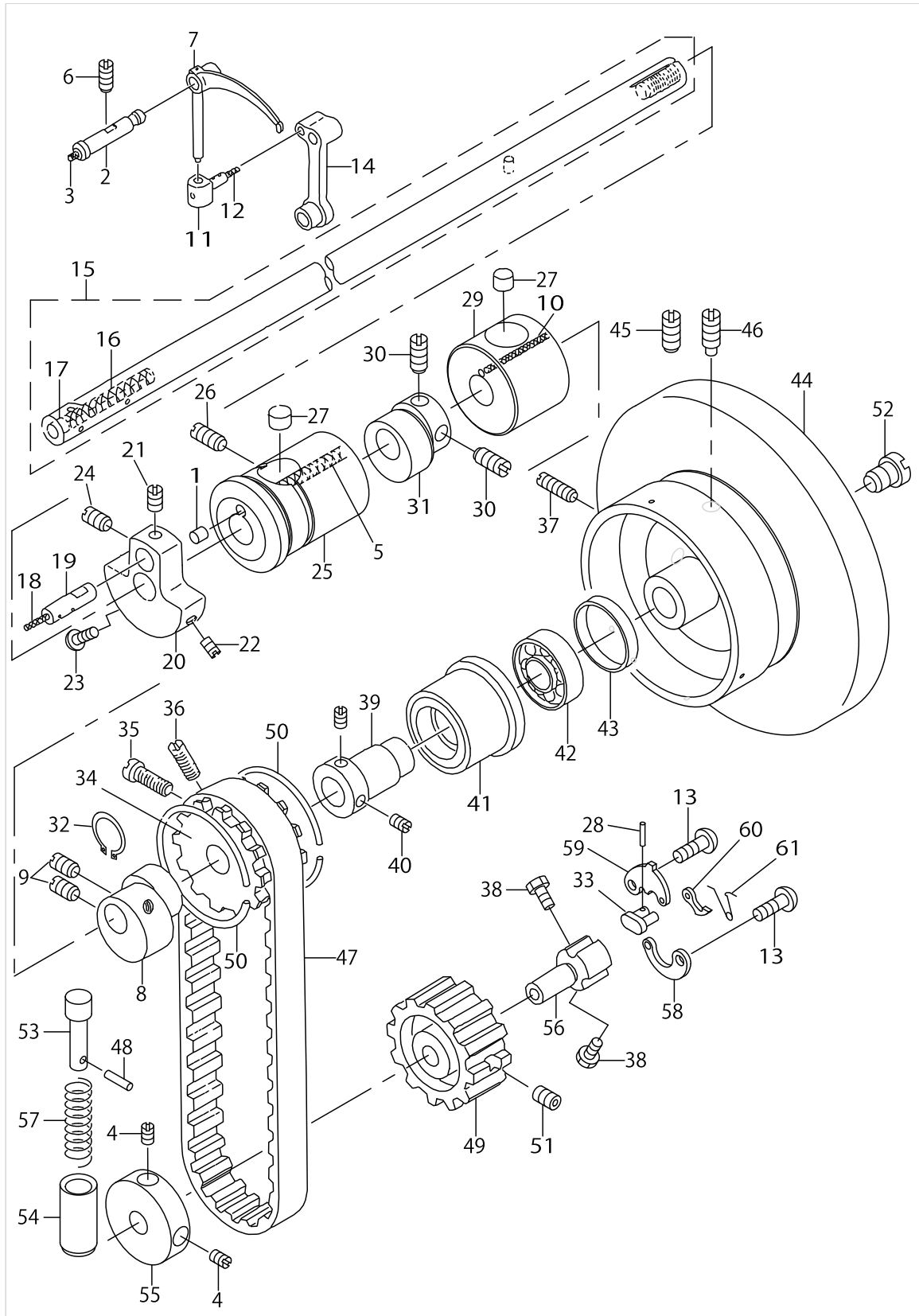
FRAME & MISCELLANEOUS COVER COMPONENTS



FRAME & MISCELLANEOUS COVER COMPONENTS

No.	Parts No.	Parts name	Remarks	Level	Cons	Qty
48	CM300200001	ATTENTION SEAL	FOR JE			3
49	CM300200101	SAFETY LABEL, 1(SMALL).	FOR JAPAN			1
50	CM3002001A1	SAFETY LABEL.,3 (SMALL).	EXCEPT JAPAN ,JE			1
51	10004109	GROUND MARK				1
52	23100803	THROAT PLATE	EXCEPT LS-341N			1
53	23100902	THROAT PLATE(SMALL PRODUCTS)	FOR LS-341N-7(FOR SMALL PRODUCTS)			1
54	23100407	BED SLIDE	EXCEPT LS-341N			1
55	MSCM80000A0	SYNCHRONIZER ASM.	EXCEPT LS-341N			1
56	NS6150430SP	NUT 15/64-28	EXCEPT LS-341N			1
57	B9108246000	DETECTOR SUPPORT SHAFT	EXCEPT LS-341N			1
58	23100704	THREAD CUTTING CAM COVER				1
59	SS5110710SP	SCREW 11/64-40 L=7				2
60	B8234271000	COLLAR	EXCEPT LS-341N			1
61	D2112555B00	CORD HOLDER, LARGE	EXCEPT LS-341N			2
62	SS7151210SP	SCREW 15/64-28 L=12	EXCEPT LS-341N			1
63	SS61111140SP	SCREW 11/64-40 L=11	EXCEPT LS-341N			1
64	GES12155000	CLIP C	EXCEPT LS-341N			3
65	B9109246000	DETECTOR SUPPORT PLATE	EXCEPT LS-341N			1
66	SS7110710SP	SCREW 11/64-40 L=7	EXCEPT LS-341N			1
67	BT0630520Z0	HOLDER COVER	EXCEPT LS-341N			0.01
68	10741759	GROUND WIRE ASM.	FOR LS-341N-7 ,JE ,JUS			1

MAIN SHAFT & THREAD TAKE-UP LEVER COMPONENTS

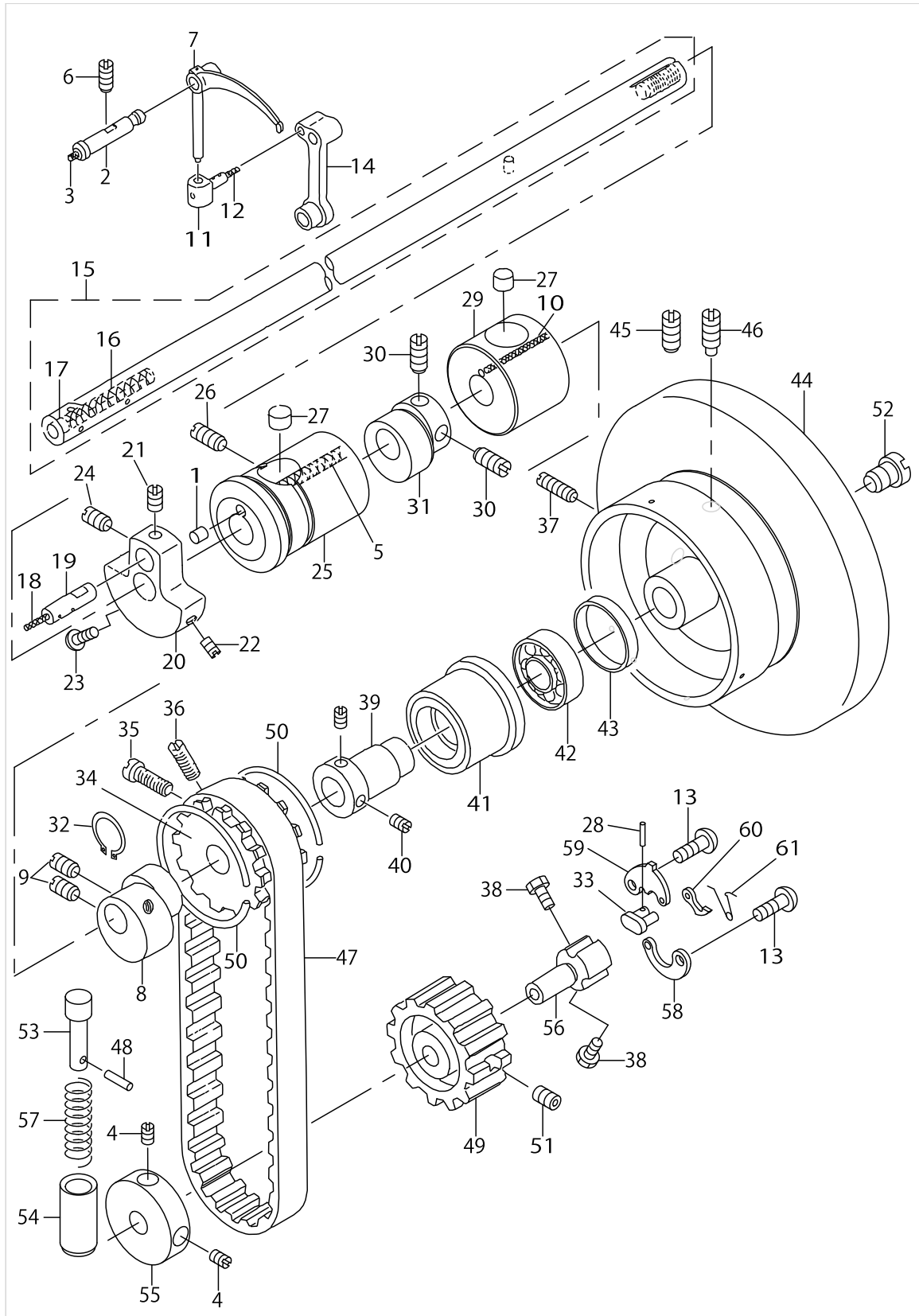


MAIN SHAFT & THREAD TAKE-UP LEVER COMPONENTS

No.	Parts No.	Parts name	Remarks	Level	Cons	Qty
1	TA050000R0	PLUG				2
2	B1906051000	TAKE-UP LEVER PIN				1
3	CQ202000000	OIL WICK				0.1
4	SS8150710SP	SCREW 15/64-28 L=7				2
5	CQ252000000	OIL WICK				0.1
6	SS8151550SP	SCREW 15/64-28 L=15				1
7	B1905241H00	THREAD TAKE-UP LEVER				1
8	B1605246000	FEED DRIVE ECCENTRIC CAM				1
9	SS8661030SP	SCREW 1/4-40 L=10				2
10	CQ200000000	OIL WICK				0.06
11	B1907051000	TAKE-UP LEVER THRUST PIN				1
12	CQ200000000	OIL WICK				0.1
13	SD0640322TP	HINGE SCREW D= 6.35 H= 3.2				2
14	D1408241E00	NEEDLE BAR CRANK ROD				1
15	B12013400A0	MAIN SHAFT ASM.				1
16	CQ303000000	OIL WICK		*		0.1
17	TA0500601M0	PLUG D=5X5.4 L=6		*		1
18	CQ505000000	OIL WICK				0.1
19	B1210051000	NEEDLE BAR CRANK PIN				1
20	B1206051000	COUNTERWEIGHT				1
21	SS8680540SP	SCREW 9/32-28 L= 4.5				1
22	SS8681650TP	SCREW 9/32-28 L=16				1
23	SS7681750TP	SCREW 9/32-28 L=16.5				1
24	SS8680730SP	SCREW 9/32-28 L=7				1
25	B1202051000	MAIN SHAFT BUSHING, FRONT				1
26	SS8151550SP	SCREW 15/64-28 L=15				1
27	B1203051000	OIL FELT				2
28	B1314055000	SAFETY CLUTCH SMALL LINK PIN				1
29	B1203340000	BUSHING, INTERMEDIATE				1
30	SS8660610TP	SCREW 1/4-40 L=6				2
31	D1450055B00	UPPER FEED DRIVING CAM				1
32	RC2421211KP	RETAINING RING				1
33	B1310055000	SAFETY CLUTCH SMALL LINK				1
34	B1302051000	SPROCKET WHEEL, UPPER				1
35	SS7681750TP	SCREW 9/32-28 L=16.5				1
36	SS8681650TP	SCREW 9/32-28 L=16				1
37	SS8151550SP	SCREW 15/64-28 L=15				1
38	SS6660710TP	SCREW 1/4-40 L=7				2
39	B1217051000	MAIN SHAFT BUSHING (2), REAR				1
40	SS8150710SP	SCREW 15/64-28 L=7				2
41	B1216051000	MAIN SHAFT BUSHING 1, REAR				1
42	SB115000200	BEARING				1
43	B1218051000	REAR BEARING RETAINING COLLAR				1
44	23101009	HAND WHEEL				1
45	SS8151550SP	SCREW 15/64-28 L=15				1
46	SS8151780SP	SCREW 15/64-28 L=17.0				1
47	21223300	TIMING BELT				1



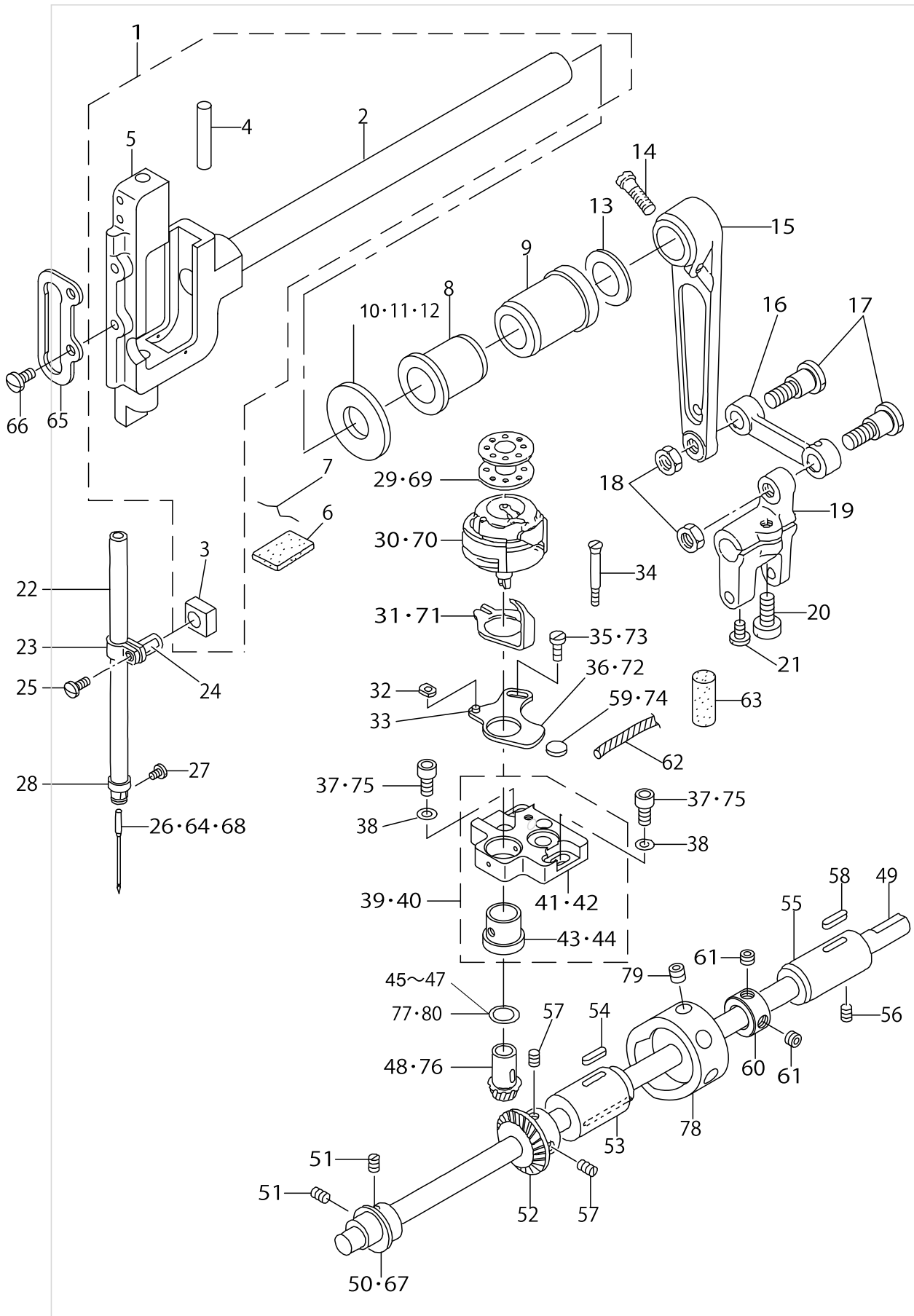
# MAIN SHAFT & THREAD TAKE-UP LEVER COMPONENTS



MAIN SHAFT & THREAD TAKE-UP LEVER COMPONENTS

No.	Parts No.	Parts name	Remarks	Level	Cons	Qty
48	PS0200102KH	SPRING PIN 2.0 X 10				1
49	21223706	SPROCKET WHEEL, LOWER				1
50	B1214019000	SPROCKET RING				2
51	SS8090410SP	SCREW 9/64-40 L= 3.5				2
52	SS7701010SP	SCREW 5/16-24 L=10				1
53	21223409	SAFETY CLUTCH PUSH BUTTON				1
54	21223508	PUSH BUTTON CYLINDER				1
55	B1301340000	SAFETY CLUTCH DISK				1
56	10503605	SAFETY BASE				1
57	B1639051000	SPRING				1
58	B1305055000A	SAFETY CLUTCH SPRING				1
59	B1307055000	SAFETY CLUTCH HOOK				1
60	B1308055000	SAFETY CLUTCH COUNTER-HOOK				1
61	B1309055000	COUNTER-HOOK SPRING				1

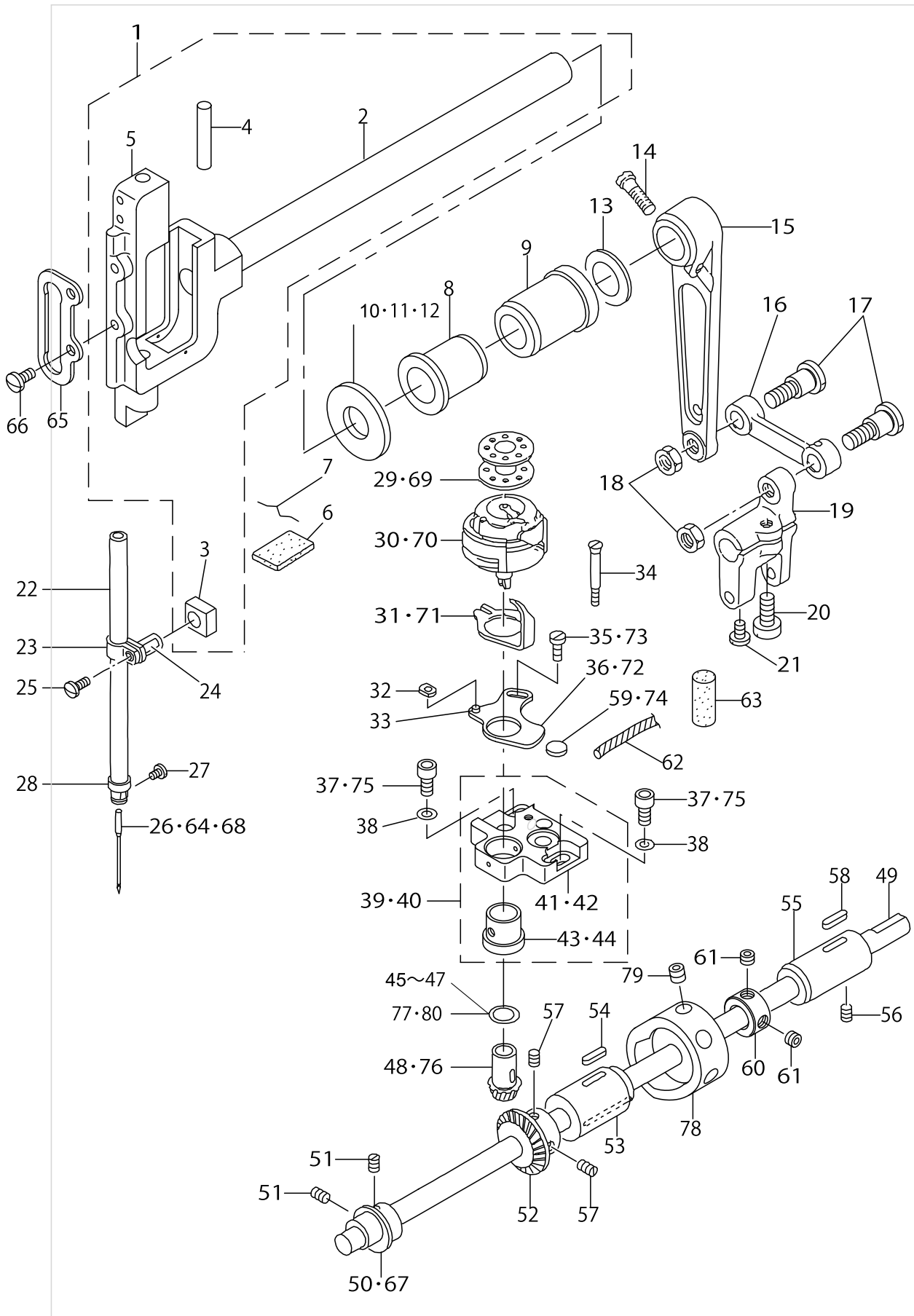
NEEDLE BAR & HOOK DRIVING SHAFT COMPONENTS NEEDLE BAR & HOOK DRIVING SHAFT COMPONENTS



NEEDLE BAR & HOOK DRIVING SHAFT COMPONENTS NEEDLE BAR & HOOK DRIVING SHAFT COMPONENTS

No.	Parts No.	Parts name	Remarks	Level	Cons	Qty
1	21223854	NEEDLE BAR FRAME ASM.				1
2	B1424512000A	NEEDLE BAR FRAME ROCK SHAFT		*		1
3	B1437512000A	NEEDLE BAR SLIDE BLOCK		*		1
4	PT0502700S0	TAPERED PIN		*		1
5	21223805	NEEDLE BAR FRAME		*		1
6	B1422512000	FELT				1
7	B1440512000	RETAINER				1
8	22607303	BUSHING				1
9	B1608512000	ROCK SHAFT BUSHING, REAR				1
10	B1438512B00	WASHER 17.1X28X1.5				1
11	B1438512A00	WASHER T=1.35	SELECTIVE PARTS			1
12	B1438512C00	WASHER	SELECTIVE PARTS			1
13	B1438512C00	WASHER				1
14	SS9152130CP	SCREW 15/64-28 L=20.5				1
15	B1430512000	DRIVING ARM				1
16	B1434246000	CONNECTING ROD				1
17	SD1020961SP	HINGE SCREW D=10.2 H=9.6				2
18	NS6680410SP	NUT 9/32-28				2
19	B1628246000	FEED ROCKER SHAFT CRANK				1
20	SS6151440SP	SCREW 15/64-28 L=14				1
21	SS7110720TP	SCREW 11/64-40 L=7				1
22	23101306	NEEDLE BAR				1
23	B1411053000	NEEDLE BAR CONNECTION				1
24	B1412051000	FELT				1
25	SS7090910SP	SCREW 9/64-40 L= 8.5				1
26	MDP170B2300	NEEDLE DPX17 #23	EXCEPT LS-341N-7(FOR SMALL PRODU			1
27	SS7080510TP	SCREW 1/8-44 L=4.5				1
28	B1419245000	NEEDLE BAR THREAD GUIDE				1
29	B9117201000	BOBBIN	FOR LS-341N			1
30	21229752	HOOK ASM.	FOR LS-341N			1
31	21227400	INNER HOOK GUIDE	FOR LS-341N			1
32	B1827246000	SLIDE BLOCK				1
33	B1826246000	SLIDE BLOCK PIN				1
34	SS1092810SP	SCREW 9/64-40 L=25.4				1
35	SS7090710SP	SCREW 9/64-40 L= 6.8	FOR LS-341N			1
36	21231204	ADJUSTING PLATE	FOR LS-341N			1
37	SM6051202TP	SCREW M5X0.8 L=12	FOR LS-341N			2
38	WP0520656SA	WASHER 5.2X9.5X0.6				2
39	21229661	HOOK SHAFT SADDLE ASM.	FOR LS-341N			1
40	23102056	HOOK SHAFT SADDLE ASM.	EXCEPT LS-341N			1
41	23102007	HOOK SHAFT SADDLE	EXCEPT LS-341N	*		1
42	21229604	HOOK SHAFT SADDLE	FOR LS-341N	*		1
43	23102106	HOOK SHAFT BUSHING	EXCEPT LS-341N	*		1
44	21231105	HOOK SHAFT BUSHING	FOR LS-341N	*		1
45	B182024600B	WASHER B				1
46	B182024600C	WASHER C	SELECTIVE PARTS			1
47	B182024600D	WASHER	SELECTIVE PARTS			1

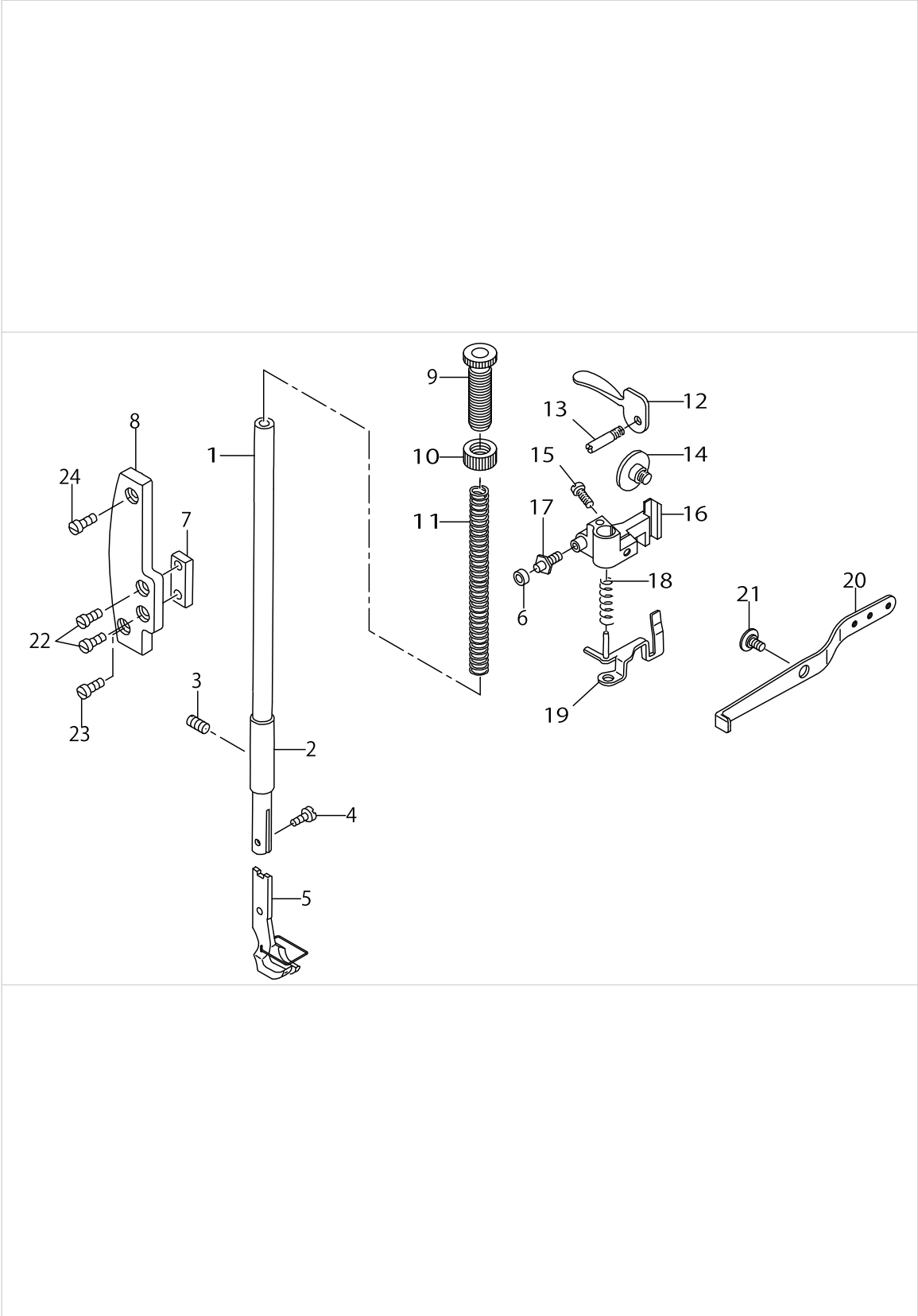
NEEDLE BAR & HOOK DRIVING SHAFT COMPONENTS NEEDLE BAR & HOOK DRIVING SHAFT COMPONENTS



NEEDLE BAR & HOOK DRIVING SHAFT COMPONENTS NEEDLE BAR & HOOK DRIVING SHAFT COMPONENTS

No.	Parts No.	Parts name	Remarks	Level	Cons	Qty
48	21227301	HOOK SHAFT GEAR	FOR LS-341N			1
49	B1816340000	HOOK DRIVING SHAFT				1
50	21227103	FEED VERTICAL CAM	EXCEPT LS-341N-7(FOR SMALL PRODU			1
51	SS8150510TP	SCREW 15/64-28 L= 4.7				2
52	B1836246000A	LOWER SHAFT BEVEL GEAR				1
53	B1803246000	BUSHING, INTERMEDIATE				1
54	B1805201000	OIL FELT				1
55	10080406	BUSHING, INTERMEDIATE				1
56	SS8150510TP	SCREW 15/64-28 L= 4.7				1
57	SS8660612TP	SCREW 1/4-40 L=6				3
58	B1806038000	OIL FELT				1
59	B3511280000	OIL FELT	FOR LS-341N			1
60	23102700	LOWER SHAFT THRUST HOLDER				1
61	SS8150432TH	SCREW 15/64-28 L=4				2
62	CQ202000000	OIL WICK	FOR LS-341N			0.04
63	B1432027000	OIL PAD ROLLER	FOR LS-341N			1
64	MC372001600	NEEDLE SY3355 160	FOR JE			1
65	B1467563000	UPPER FEED BAR GUIDE				1
66	SS7110910SP	SCREW 11/64-40 L=8.5				2
67	21232707	FEED VERTICAL CAM	FOR LS-341N-7(FOR SMALL PRODUCTS)			1
68	MC372001100	NEEDLE 135X17 #110	FOR LS-341N-7(FOR SMALL PRODUCTS)			1
69	D9117141E00	BOBBIN	EXCEPT LS-341N			1
70	23102353	THREAD CUTTING HOOK ASM.	EXCEPT LS-341N			1
71	23102601	INNER HOOK GUIDE	EXCEPT LS-341N			1
72	23102502	ADJUSTING PLATE	EXCEPT LS-341N			1
73	SS7090910SP	SCREW 9/64-40 L= 8.5	EXCEPT LS-341N			1
74	11002904	ROLLER FELT	EXCEPT LS-341N			1
75	SM6051002TP	SCREW M5X0.8 L=10	EXCEPT LS-341N			2
76	23102205	HOOK SHAFT BEVEL GEAR	EXCEPT LS-341N			1
77	B1820246000	WASHER	SELECTIVE PARTS			1
78	23103708	THREAD CUTTING CAM	EXCEPT LS-341N			1
79	SS8660612TP	SCREW 1/4-40 L=6	EXCEPT LS-341N			3
80	B182024600A	WASHER A	SELECTIVE PARTS			1

PRESSER BAR COMPONENTS

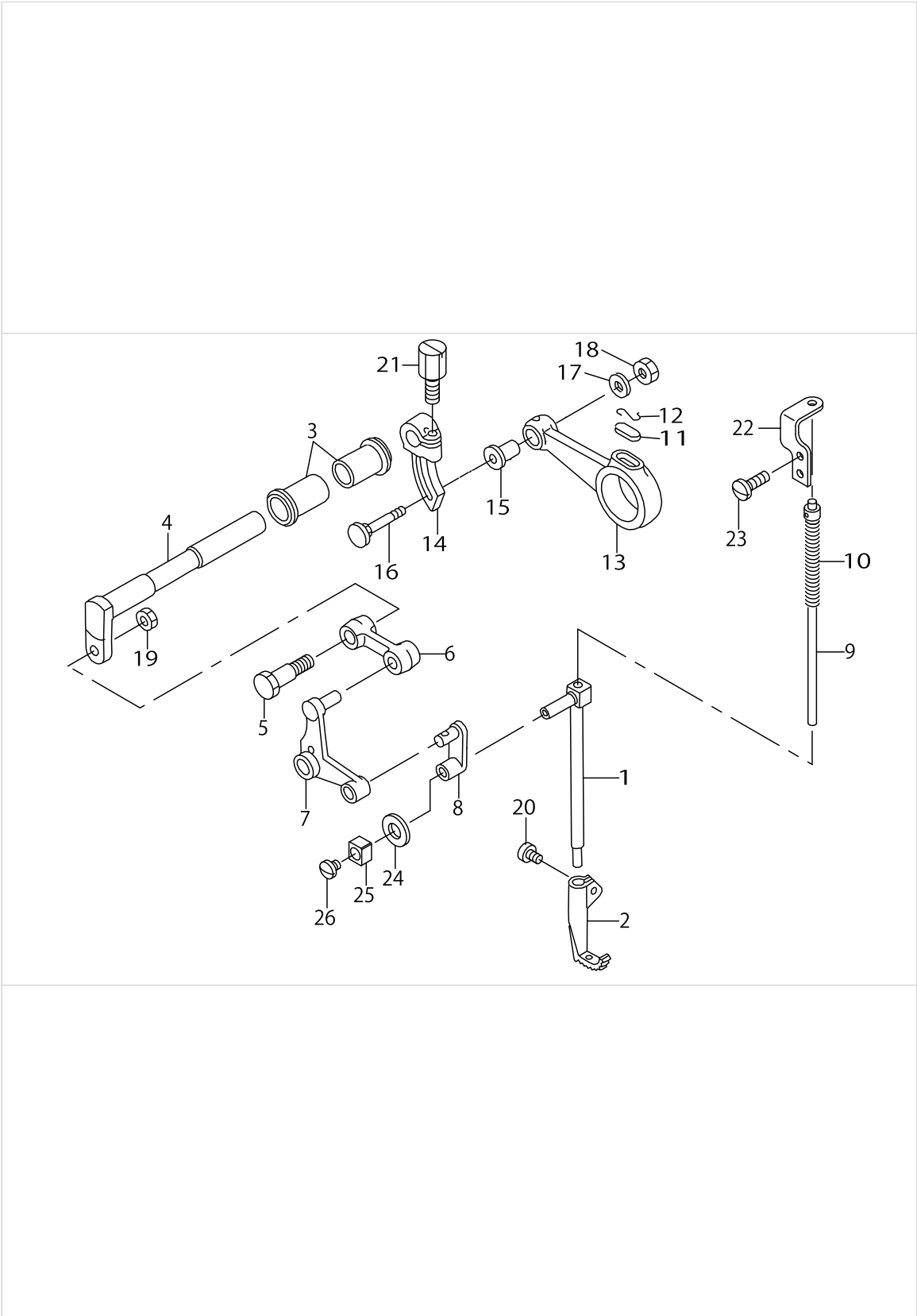


PRESSER BAR COMPONENTS

No.	Parts No.	Parts name	Remarks	Level	Cons	Qty
1	B1501241H00	PRESSER BAR				1
2	B1510155000	PRESSER BAR LOWER BUSHING				1
3	SS8150710SP	SCREW 15/64-28 L=7				1
4	SS6090910TP	SCREW 9/64-40 L=9				1
5	B15250530A0	PRESSER FOOT ASM.				1
6	D1462241E00	CONNECTING PIN ROLLER				1
7	D1463241E00	PRESSER BAR BRACKET GUIDE				1
8	D1464241E0A	GUIDE PLATE BASE				1
9	B1509141H00	PRESSER SPRING REGULATOR				1
10	B1511555000	NUT				1
11	B1502246000	PRESSER SPRING				1
12	B1512141H00	HAND LIFTER				1
13	B1515051000	HAND LIFTER PIN				1
14	SD0800481SP	HINGE SCREW D= 8 H= 4.9				1
15	SS7111310SP	SCREW 11/64-40 L=12.8				1
16	B1460245000	PRESSER LIFTING LEVER BASE				1
17	B1461245000	GUIDE SHAFT HINGE SCREW				1
18	B1462053000	THREAD RELEASE SPRING				1
19	B14602460A0	THREAD RELEASE GUIDE ASM.				1
20	B3401340000	PRESSER BAR LIFTING LEVER				1
21	SD1127321SP	HINGE SCREW D=12.70 H= 3.2				1
22	SS7621040SP	SCREW 3/16-32 L= 9.5				2
23	SS7150740SP	SCREW 15/64-28 L=7				1
24	SS7621040SP	SCREW 3/16-32 L= 9.5				1



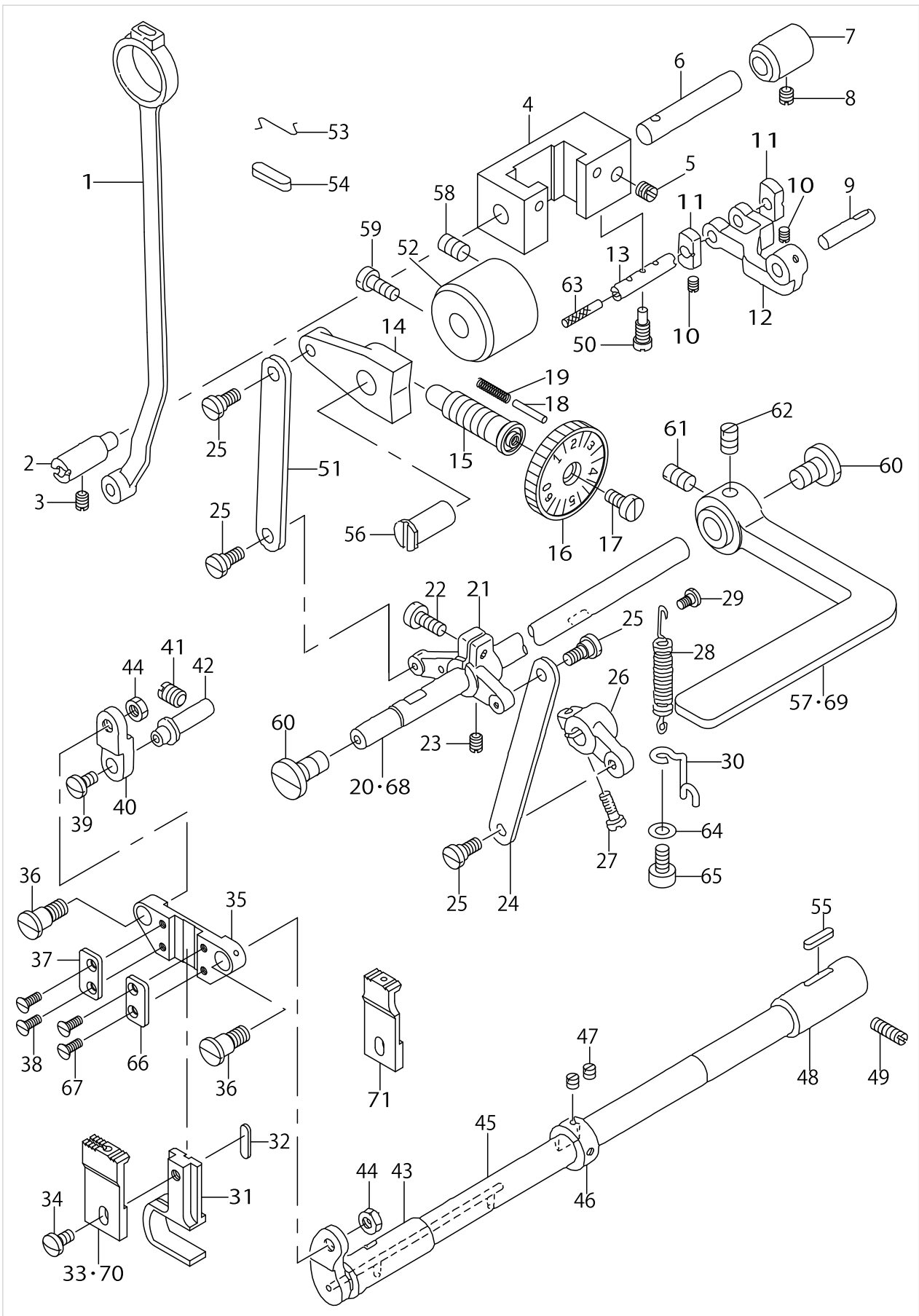
UPPER FEED MECHANISM COMPONENTS



UPPER FEED MECHANISM COMPONENTS

No.	Parts No.	Parts name	Remarks	Level	Cons	Qty
1	B1466563000	WALKING BAR				1
2	B1470053000	WALKING FOOT				1
3	B1455053000	BUSHING				2
4	B1456053000	UPPER FEED DRIVING SHAFT				1
5	B3008141H00	HINGE SCREW				1
6	B1458241H00	UPPER FEED CONNECTING LINK				1
7	D1459241E00	L SHAPED LINK				1
8	B1465053000	WALKING BAR DRIVING LINK				1
9	21230057	WALKING BAR ASM.				1
10	B1468053000	WALKING BAR SPRING				1
11	B1702012000	OIL FELT				1
12	B1213012000	FELT RETAINER				1
13	D1453055B00	UPPER FEED DRIVING ROD				1
14	D1454055B00	UPPER FEED SPRING ROD				1
15	D1455055B00	CONNECTING STUD				1
16	D1456055B00	HINGE SCREW				1
17	WP0482086SD	WASHER 4.8X11.5X2				1
18	NS6110530SP	NUT 11/64-40				1
19	NS6660430SP	NUT 1/4-40				1
20	SS6110710TP	SCREW 11/64-40 L= 6.5				1
21	21230305	UPPER FEED ARM CLAMP SCREW				1
22	21230107	WALKING BAR RETAINING PLATE				1
23	SS7090710SP	SCREW 9/64-40 L= 6.8				2
24	10509701	FELT				1
25	B1414555000	SLIDE BLOCK				1
26	SS7110510SP	SCREW 11/64-40 L=5				1

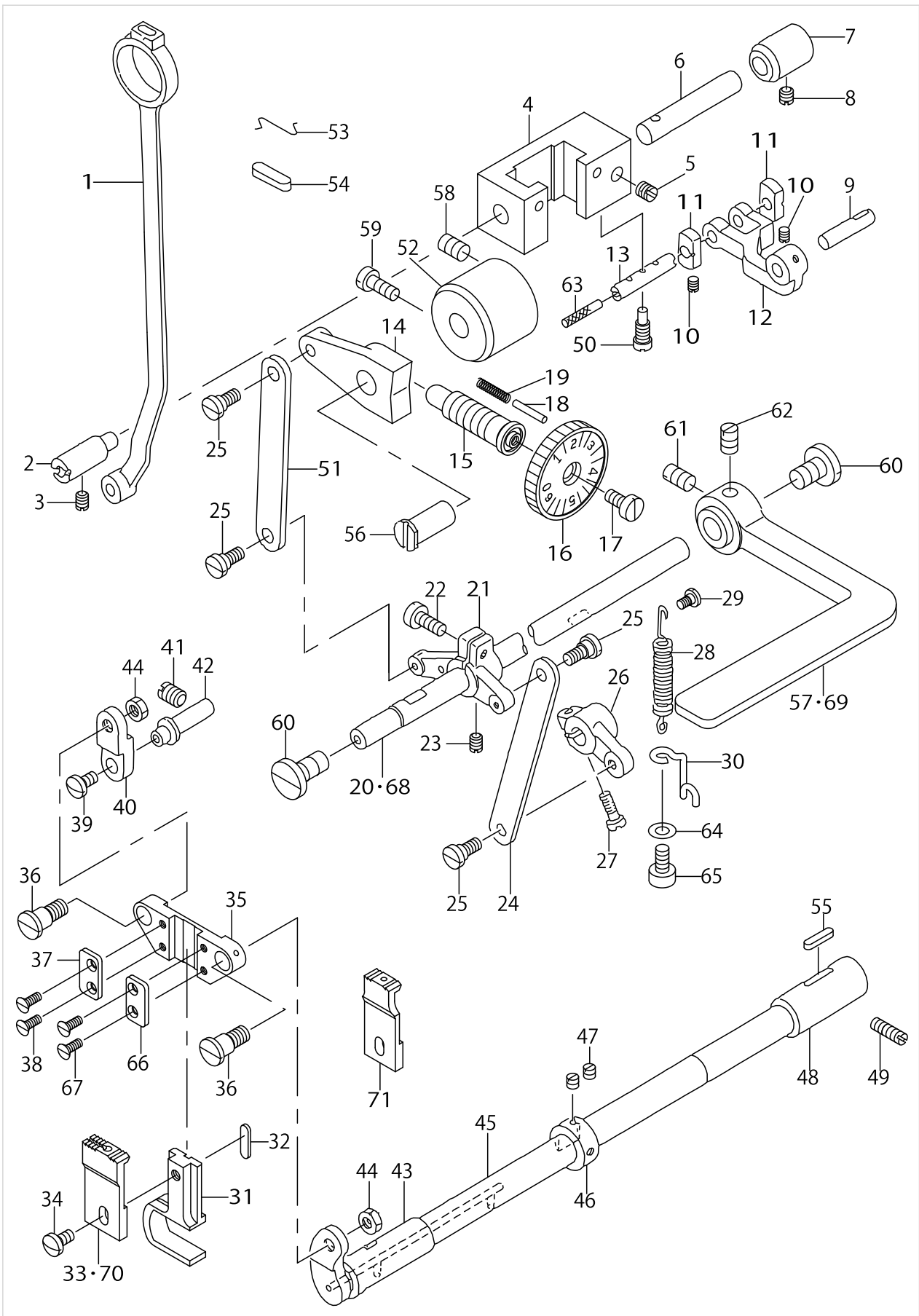
FEED MECHANISM COMPONENTS



FEED MECHANISM COMPONENTS

No.	Parts No.	Parts name	Remarks	Level	Cons	Qty
1	B1619246000	CONNECTING ROD				1
2	B1621246000	FEED DRIVING ROCKER HINGE PIN				1
3	SS8150510TP	SCREW 15/64-28 L= 4.7				1
4	21226006	FEED DRIVING ROCKER				1
5	SS8151150SP	SCREW 15/64-28 L=10.5				1
6	B1622246000	FEED DRIVING ROCKER SHAFT				1
7	B1623246000	BUSHING				1
8	SS8150510TP	SCREW 15/64-28 L= 4.7				1
9	B1627246000	FEED ROCKER SHAFT CRANK PIN				1
10	SS8090540SP	SCREW 9/64-40 L=5				2
11	B1626246000	SLIDE BLOCK				2
12	B1624246000	FEED DRIVING ROCKER ARM				1
13	B1625246000	SLIDE BLOCK SHAFT				1
14	23101405	FEED ADJUSTING BASE				1
15	23101504	FEED ADJUSTING SCREW				1
16	23101603	FEED DIAL				1
17	SS6121050SP	SCREW 3/16-28 L= 9.5				1
18	B1147555000	PIN				1
19	22912109	FEED REGULATOR PIN SPRING				1
20	21226402	REVERSE FEED LEVER SHAFT	FOR LS-341N			1
21	21226105	CONTROL LEVER CRANK				1
22	SS6121210SP	SCREW 3/16-28 L=12				1
23	SS8150710SP	SCREW 15/64-28 L=7				1
24	B1630246000	CONTROL LEVER CRANK LINK				1
25	SD0640325SP	HINGE SCREW				4
26	B1631246000	FEED DRIVING ROCKER SHAFT ARM				1
27	SS6121210SP	SCREW 3/16-28 L=12				1
28	B1666246000	TENSION SPRING				1
29	SD0400201SD	HINGE SCREW D= 4 H= 2				1
30	21226709	SUSPENSION HOOK				1
31	B1602340000	FEED BAR CRANK				1
32	B1806038000	OIL FELT				1
33	21225305	FEED DOG, 3.2MM	FOR LS-341N			1
34	SS7110840SP	SCREW 11/64-40 L=7.8				1
35	B1601340000	FEED BAR SUPPORT				1
36	SD0790701SP	HINGE SCREW D=7.94 H=7				2
37	B1603340000	FEED BAR SUPPORT PLATE				1
38	SS1080620SP	SCREW 1/8-44 L=6				2
39	SS7110830SP	SCREW 11/64-40 L= 7.5				1
40	B1616246000	FEED BAR LINK				1
41	SS8150750SP	SCREW 15/64-28 L=7				1
42	B1617246000	FEED ROCKER LINK SHAFT				1
43	B1607246000	BUSHING, FRONT				1
44	NS6660430SP	NUT 1/4-40				2
45	21224308	FEED ROCKER SHAFT				1
46	CS1111019SH	THRUST COLLAR D=11.11 W=10				1
47	SS8660610TP	SCREW 1/4-40 L=6				2

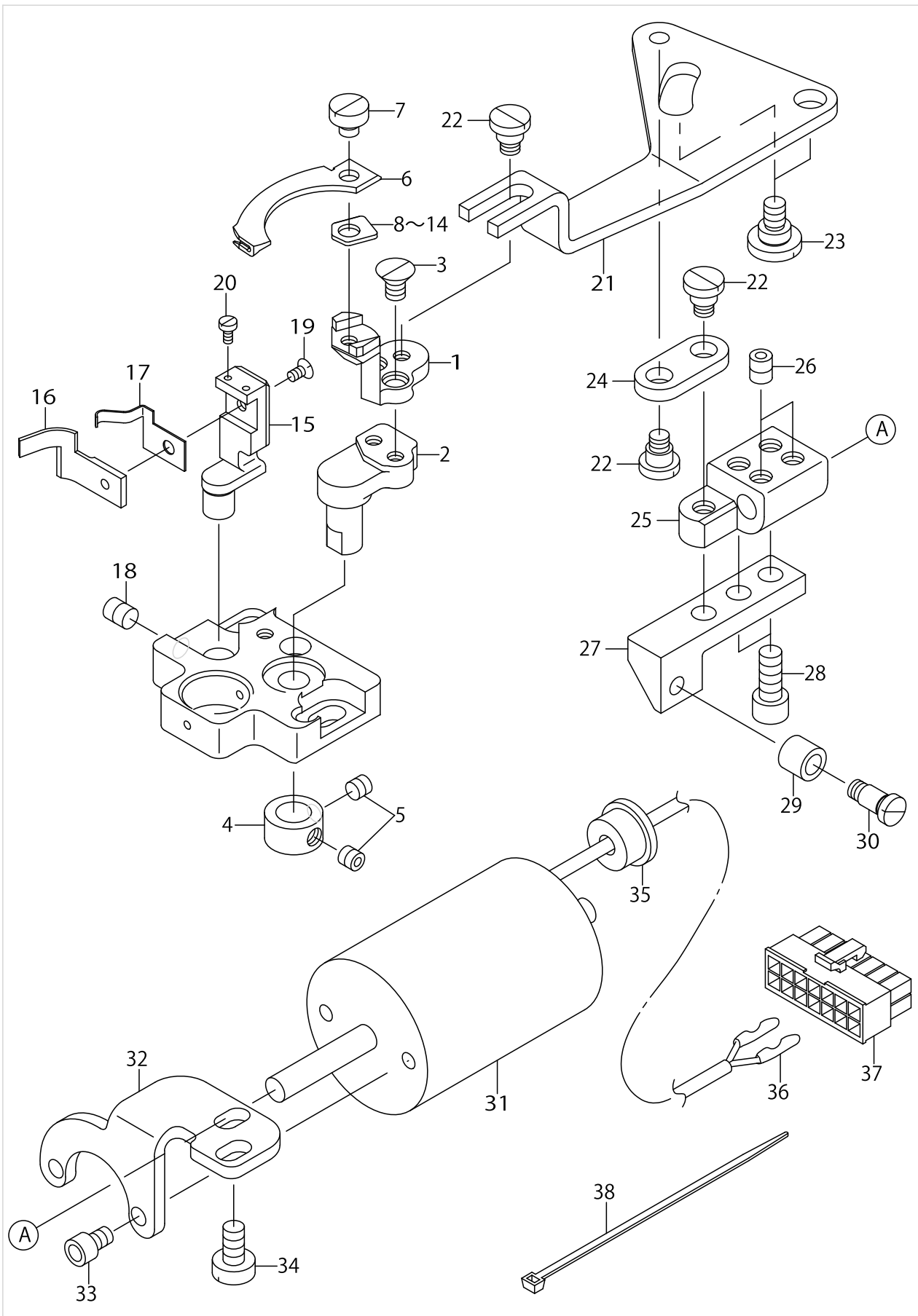
FEED MECHANISM COMPONENTS



FEED MECHANISM COMPONENTS

No.	Parts No.	Parts name	Remarks	Level	Cons	Qty
48	B1609246000	BUSHING, REAR				1
49	SS8151550SP	SCREW 15/64-28 L=15				1
50	SS7151550SP	SCREW 15/64-28 L=14.5				1
51	21226303	FEED LEVER CONNECTING LINK B				1
52	21226600	FEED REGULATOR BUSHING				1
53	B1213012000	FELT RETAINER				1
54	B1702012000	OIL FELT				1
55	B1806038000	OIL FELT				1
56	B1622555000	HINGE PIN				1
57	B1624141H00	FEED LEVER	FOR LS-341N			1
58	SS8151150SP	SCREW 15/64-28 L=10.5				1
59	SS6151440SP	SCREW 15/64-28 L=14				1
60	SS7620750SP	SCREW 3/16-32 L= 6.5				2
61	SS8660810TP	SCREW 1/4-40 L=8	FOR LS-341N			1
62	SS8661040TP	SCREW 1/4-40 L=10	FOR LS-341N			1
63	CQ200000000	OIL WICK				0.1
64	WP0371016SD	WASHER 3.7X8X1				1
65	SS7090910SP	SCREW 9/64-40 L= 8.5				1
66	B1603340A00	FEED BASE PRESSER PLATE A				1
67	SS6080720SP	SCREW				2
68	23105000	CONTROL LEVER SHAFT	EXCEPT LS-341N			1
69	D1624141E0A	REVERSE FEED CONTROL LEVER	EXCEPT LS-341N			1
70	23101702	FEED DOG	EXCEPT LS-341N			1
71	23101801	FEED DOG(SMALL PRODUCTS)	FOR LS-341N-7(FOR SMALL PRODUCTS)			1

THREAD TRIMMER COMPONENTS (FOR LS-341N-7)

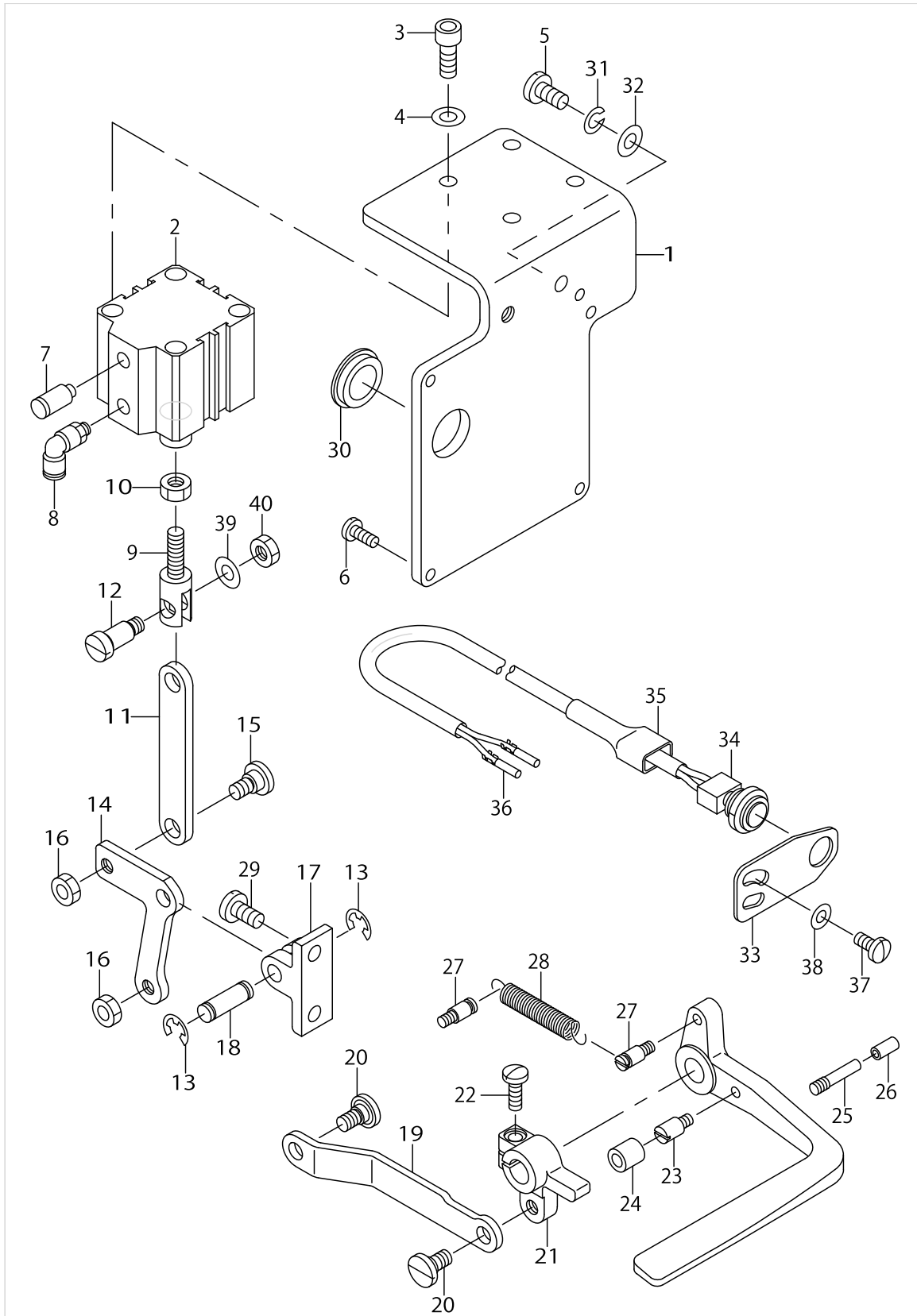


THREAD TRIMMER COMPONENTS (FOR LS-341N-7)

No.	Parts No.	Parts name	Remarks	Level	Cons	Qty
1	23103203	MOVING KNIFE ARM				1
2	23103302	MOVING KNIFE BASE				1
3	SS1110710SP	SCREW 11/64-40 L=7				2
4	CS0790711SH	THRUST HOLDER				1
5	SS8110422TP	SCREW 11/64-40 L=4				2
6	23005804	MOVING KNIFE				1
7	SS6110480SP	SCREW 11/64-40 L=4.3				1
8	23104300	MOVING KNIFE SPACER 0.7	SELECTIVE PARTS			1
9	23104409	MOVING KNIFE SPACER 0.8	SELECTIVE PARTS			1
10	23104508	MOVING KNIFE SPACER 0.9	SELECTIVE PARTS			1
11	23104607	MOVING KNIFE SPACER 1.0				1
12	23104706	MOVING KNIFE SPACER 1.1	SELECTIVE PARTS			1
13	23104805	MOVING KNIFE SPACER 1.2	SELECTIVE PARTS			1
14	23104904	MOVING KNIFE SPACER 1.3	SELECTIVE PARTS			1
15	23103500	FIXED KNIFE FITTING BASE				1
16	23005903	FIXED KNIFE				1
17	23103401	CLAMP SPRING				1
18	SM8050602TP	SCREW M5 L=6				1
19	D2436245E00	SCREW				1
20	SM6020450TP	SCREW				2
21	23103609	THREAD CUTTING LINK				1
22	SD0600341TP	HINGE SCREW D=6.0 H=3.4				3
23	SD0720321TP	HINGE SCREW				2
24	23103807	THREAD CUTTING SOLENOID LINK				1
25	23103906	THREAD CUTTING SOLENOID ARM				1
26	SM8050602TP	SCREW M5 L=6				2
27	23104003	THREAD CUTTING ROLLER BASE				1
28	SM6051202TP	SCREW M5X0.8 L=12				2
29	B3031141H00	CONNECTING STUD				1
30	SD0500721SP	HINGE SCREW D= 5 H= 7.2				1
31	23104201	THREAD CUTTING SOLENOID				1
32	23104102	SOLENOID FITTING PLATE				1
33	SM6040602TP	SCREW M4 L=6				2
34	SS6120930TP	SCREW 3/16-28 L=9				2
35	10622009	COAD BUSH				1
36	HK03464000B	PIN CONTACT				2
37	HK034610140	HOUSING 14P				1
38	EA9500B0100	CABLE BAND				1



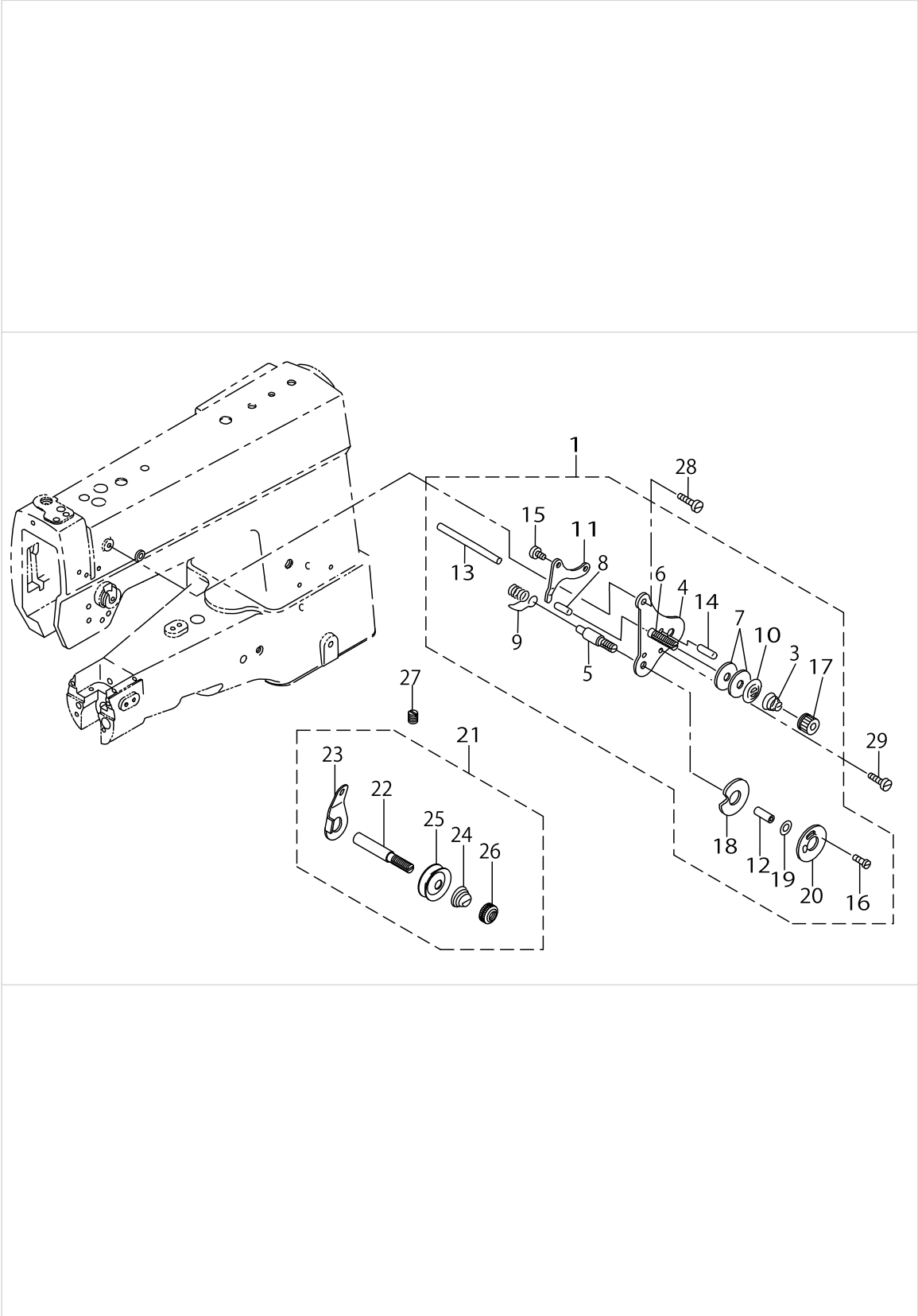
AUTOMATIC REVERSE FEED MECHANISM COMPONENTS (FOR LS-341N-7)



AUTOMATIC REVERSE FEED MECHANISM COMPONENTS (FOR LS-341N-7)

No.	Parts No.	Parts name	Remarks	Level	Cons	Qty
1	23105406	CYLINDER FITTING PLATE				1
2	PA320150200	JIG CYLINDER				1
3	SM6061602TP	SCREW M6 L=16				4
4	WP0641601SD	WASHER M6				4
5	SS7151210SP	SCREW 15/64-28 L=12				2
6	SS7111120SP	SCREW 11/64-40 L=10.5				4
7	PX015101000	MUFFLER				1
8	PJ304065102	ELBOW				1
9	10736601	CYLINDER KNUCKLE JOINT				1
10	NM6060001SE	NUT M6				1
11	10737302	CYLINDER CONNECTION RING				1
12	SD0791271SP	HINGE SCREW D= 7.94 H=12.7				1
13	RE0600000K0	E-RING 6				2
14	23105307	BACKWARD FEED L-SHAPED LINK				1
15	SD0800402TP	HINGE SCREW D= 8 H= 4				1
16	NS6150430SP	NUT 15/64-28				2
17	D1684141E00A	LINK INSTALLING BASE				1
18	D1687141E00	PIN				1
19	23105109	BACKWARD FEED ROD				1
20	SD0720331SP	HINGE SCREW D= 7.24 H= 3.3				2
21	10119709	REVERSE FEED CONNECTING ARM				1
22	SS7121410SP	SCREW 3/16-28 L=14				1
23	B1114280000	PIN				1
24	10119907	CUSHION				1
25	B2733761000	PIN				1
26	BP300000000	VINYL PIPE				0.01
27	10120004	SPRING SUSPENSION				2
28	D1685141E00	LEVER SPRING				1
29	SS7151210SP	SCREW 15/64-28 L=12				2
30	TA2050406R0	RUBBER PLUG				1
31	WS0631510KP	SPRING WASHER				2
32	WP0621016SD	WASHER 6.2X13X1				2
33	23105208	SWITCH FITTING PLATE				1
34	D1680141EA0	TOUCH BUCK SWITCH ASM				1
35	MAT81126T00	2-POLE PLUG COVER				1
36	HK03464000B	PIN CONTACT				2
37	SS7621040SP	SCREW 3/16-32 L= 9.5				2
38	WP0501016SD	WASHER 5X10.5X1				2
39	WP0621016SD	WASHER 6.2X13X1				1
40	NS6150430SP	NUT 15/64-28				1

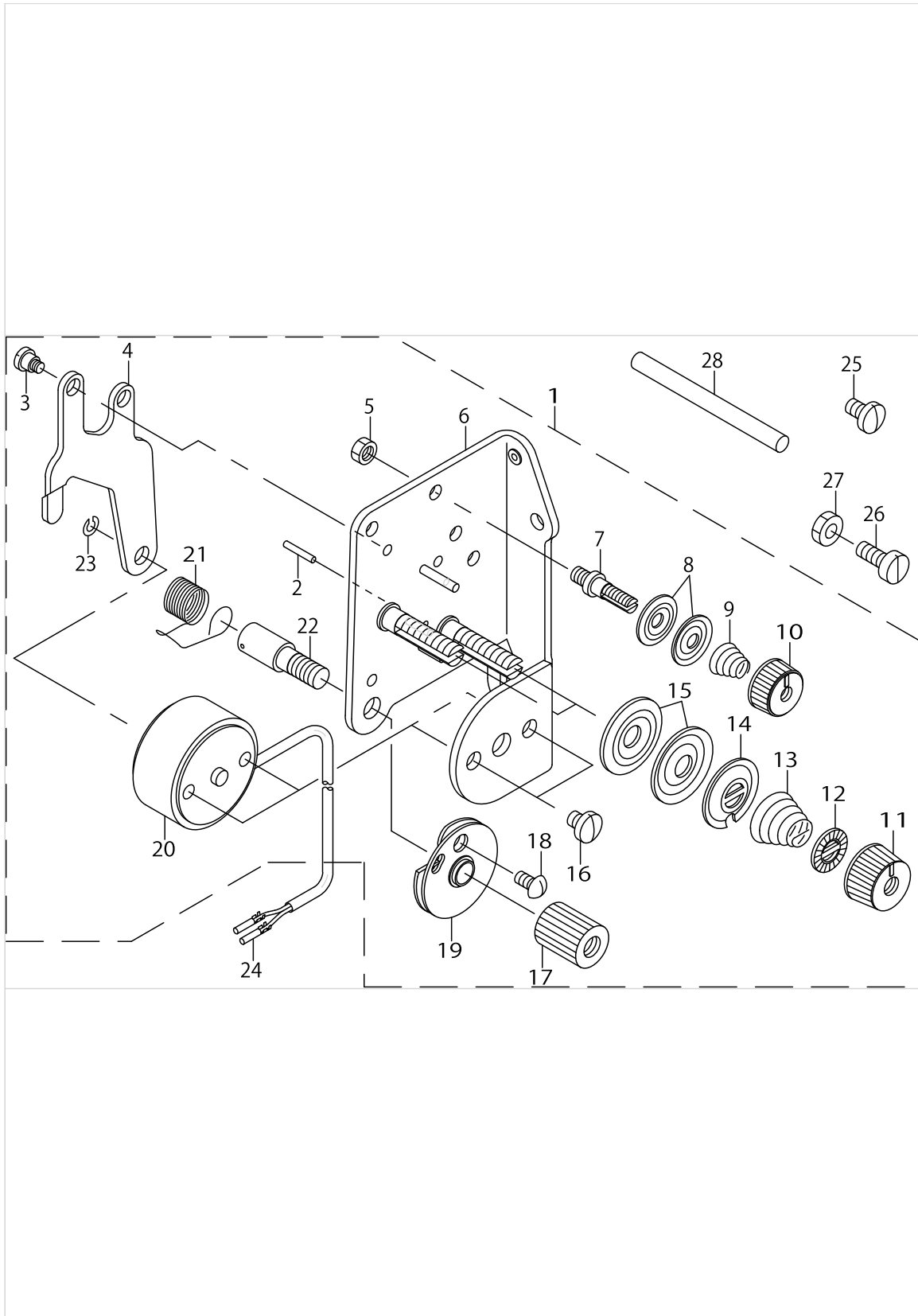
THREAD TENSION COMPONENTS (1) (FOR LS-341N)



THREAD TENSION COMPONENTS (1) (FOR LS-341N)

No.	Parts No.	Parts name	Remarks	Level	Cons	Qty
1	21230552	TENSION CONTROLLER ASM.				1
2	B3125012000	THREAD TENSION NUT		*		1
3	B3129053000	TENSION SPRING		*		1
4	B3121512000	TENSION CONTROLLER BASE		*		1
5	B3123051000	TAKE-UP SPRING STUD		*		1
6	B3124051000	TENSION STUD		*		1
7	B3126051000	TENSION DISC		*		1
8	B3127051000	TENSION RELEASE PIN, SHORT		*		1
9	B3128051000	THREAD TAKE-UP SPRING, A		*		1
10	B3132051000	TENSION DISC HOLDER		*		1
11	B3134051000	TENSION RELEASE LEVER		*		1
12	B313705100A	TAKE-UP SPRING GUIDE SHAFT		*		1
13	B3122053000	TENSION RELEASE BAR		*		1
14	PS0200122K0	SPRING PIN 2.0X12		*		1
15	SD0470281SP	HINGE SCREW D=4.7 H=2.8		*		2
16	SS4080610SP	SCREW 1/8-44 L=6.4		*		1
17	10320208	THRED TENSION STUD NUT		*		1
18	B313705100B	TENSION GUIDE DISC, INNER		*		1
19	B313705100C	TAKE-UP SPRING SHAFT		*		1
20	B313705100D	TENSION GUIDE DISC, OUTER		*		1
21	21221452	TENSION CONTROLLER ASM. NO.1				1
22	D3161555B00	FIRST TENSION POST		*		1
23	D3162555B00	THREAD GUIDE		*		1
24	D3168555H0B	TENSION SPRING NO.1		*		1
25	B3214047000	BOBBIN WINDER TENSION DISC		*		2
26	B3216047000	BOBBIN WINDER TENSION NUT		*		1
27	SS8110510SP	SCREW 11/64-40 L=5				1
28	SS7110720SP	SCREW 11/64-40 L=7				1
29	SS2090710SP	SCREW 9/64-40 L=7				1

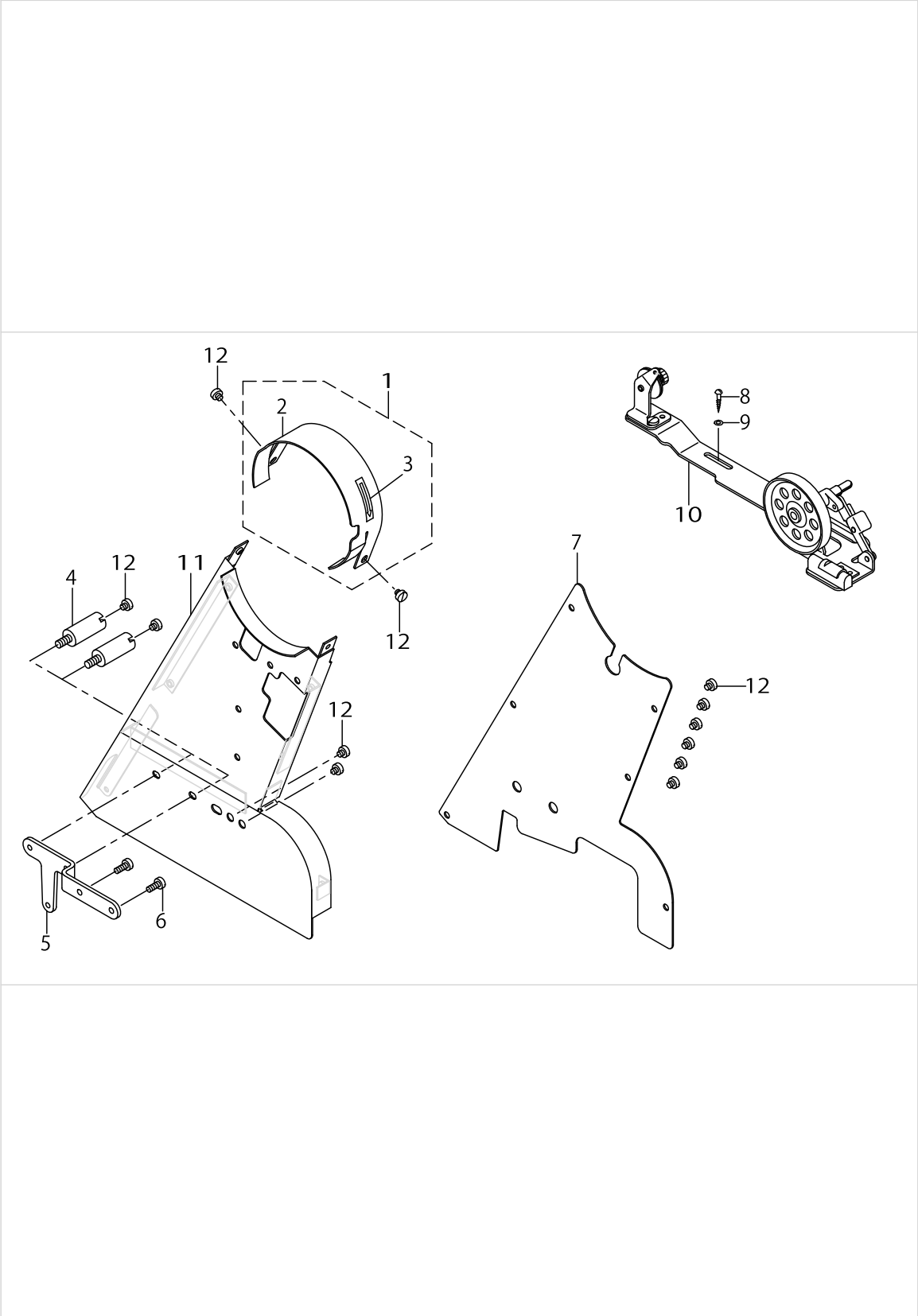
THREAD TENSION COMPONENTS (2) (FOR LS-341N-7)



THREAD TENSION COMPONENTS (2) (FOR LS-341N-7)

No.	Parts No.	Parts name	Remarks	Level	Cons	Qty
1	23103062	TENSION POST ASM.				1
2	B3127051000	TENSION RELEASE PIN, SHORT		*		2
3	SD0470281SP	HINGE SCREW D=4.7 H=2.8		*		2
4	10320505	TENSION RELEASE LEVER		*		1
5	NS6110310SP	NUT 11/64-40		*		1
6	23103054	TENSION POST COMPL.		*		1
7	10124204	THREAD TENSION POST, A		*		1
8	B3214047000	BOBBIN WINDER TENSION DISC		*		2
9	D3168555H0B	TENSION SPRING NO.1		*		1
10	11072402	THREAD TENSION NUT		*		1
11	11072204	TENSION NUT		*		2
12	B3120125000	ROTATING STOPPER		*		2
13	B3129053000	TENSION SPRING		*		2
14	B3132051000	TENSION DISC HOLDER		*		2
15	B3126051000	TENSION DISC		*		4
16	SS7110510SP	SCREW 11/64-40 L=5		*		2
17	10320208	THRED TENSION STUD NUT		*		1
18	SS3090710TP	SCREW 9/64-40 L=7		*		1
19	B31375270A0	TAKE-UP SPRING GUIDE ASM.		*		1
20	10320604	TENSION RELEASE SOLENOID		*		1
21	B3128051000	THREAD TAKE-UP SPRING, A		*		1
22	10320109	SCREW STUD		*		1
23	WS0310002KR	SPRING WASHER 3.1X5.9X0.7		*		1
24	HK03464000B	PIN CONTACT				2
25	SS7110710SP	SCREW 11/64-40 L=7				2
26	SS6111140SP	SCREW 11/64-40 L=11				1
27	NS6110350SP	NUT 11/64-40				1
28	B3122053000	TENSION RELEASE BAR				1

BELT COVER & BOBBIN WINDER COMPONENTS

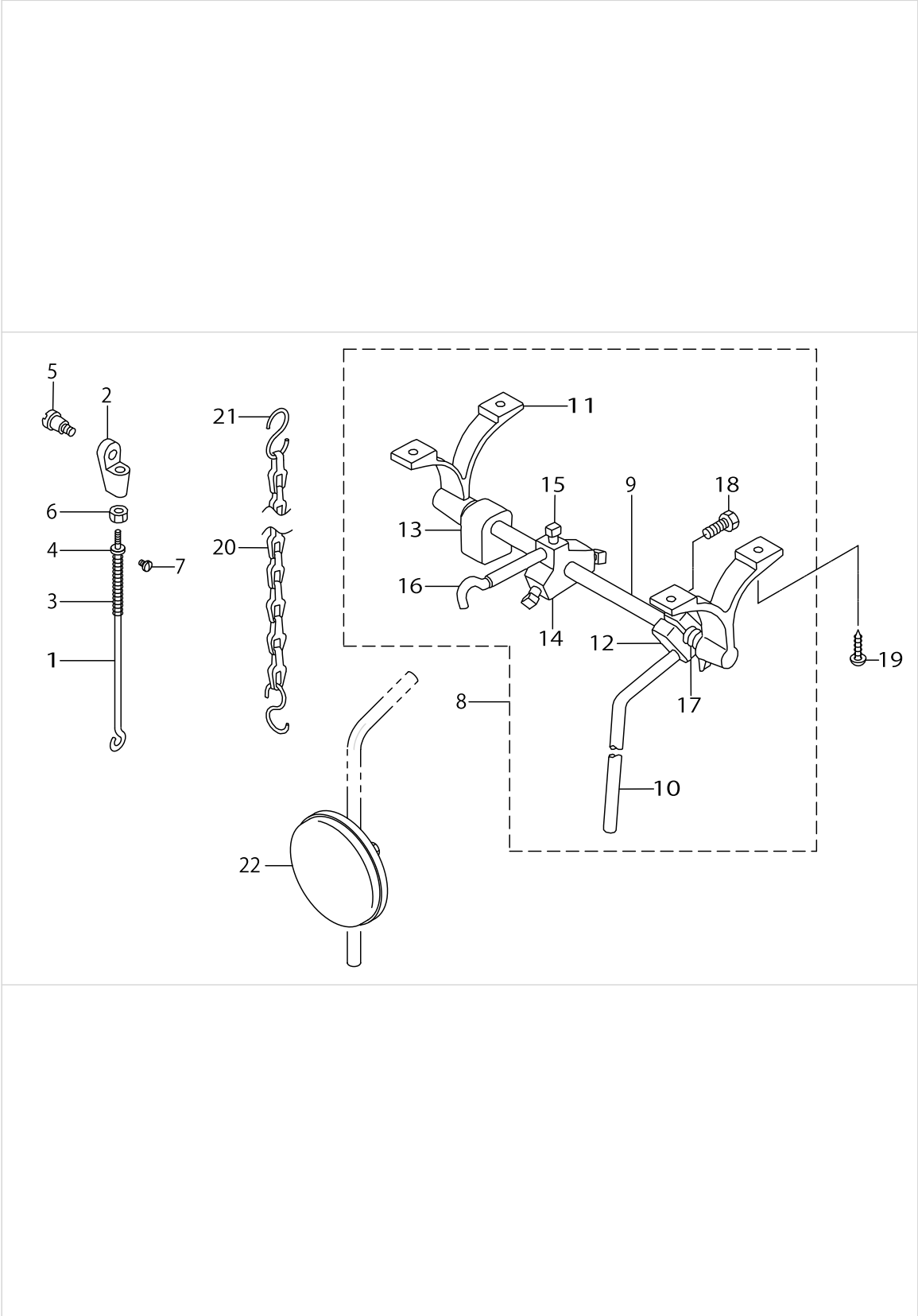


BELT COVER & BOBBIN WINDER COMPONENTS

No.	Parts No.	Parts name	Remarks	Level	Cons	Qty
1	B91012460AA	TOP COVER				1
2	B9101246000	TOP COVER		*		1
3	CM500300001	DIRECTION LABEL		*		1
4	B9106246000	BELT COVER SUPPORT				2
5	B9107246000	BELT COVER SUPPORT PLATE				1
6	SS6111140SP	SCREW 11/64-40 L=11				2
7	B910424600A	BELT COVER				1
8	SK3482500SC	WOOD SCREW D=4.8 L=25				2
9	WP0501016SC	WASHER 5X10.5X1				2
10	11415866	BOBBIN WINDER COMPL				1
11	B91022450AA	BELT COVER ASM.				1
12	SS6110480SP	SCREW 11/64-40 L=4.3				12



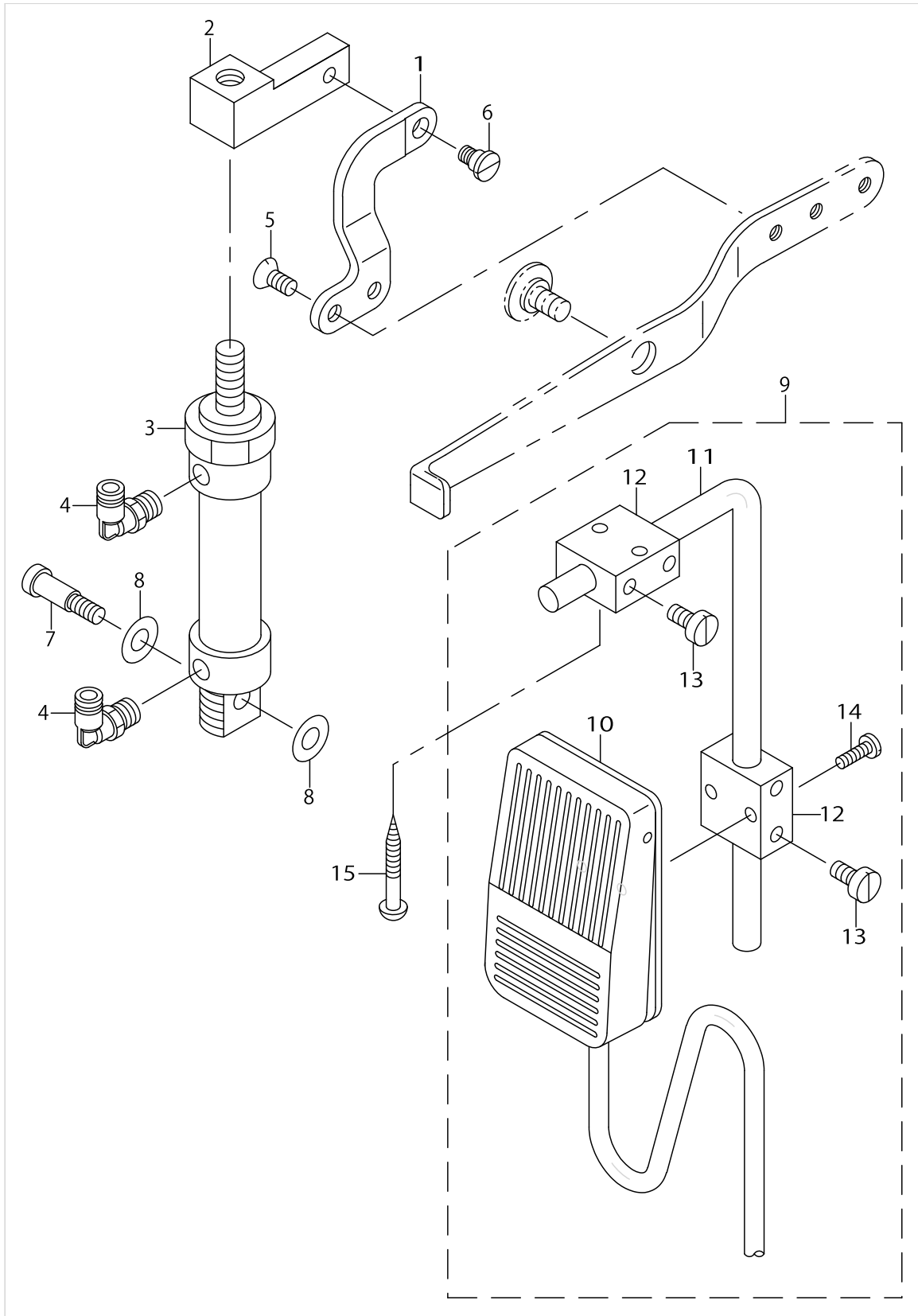
KNEE LIFTER COMPONENTS



KNEE LIFTER COMPONENTS

No.	Parts No.	Parts name	Remarks	Level	Cons	Qty
1	21230602	HANGING ROD				1
2	21027503	BAR CONNECTION				1
3	21230701	SPRING				1
4	B3418245000	SPRING HOLDER				1
5	SD0790601SP	HINGE SCREW D=7.94 H=6				1
6	NS6620310SP	NUT 3/16-32				1
7	SS7110730SP	SCREW 11/64-40 L= 6.5				1
8	B34202450A0	KNEE LIFTER ASM.				1
9	B3420245000	MAIN SHAFT		*		1
10	B3422245000	KNEE LIFTER PLATE ROD		*		1
11	B3423245000	KNEE PRESS ROD HOLDER		*		2
12	B3433141H0A	BRACKET		*		1
13	B3434141H00	BRACKET		*		1
14	B3424141H00	MOUNTING BRACKET		*		1
15	B3425141H00	MOUNTING BRACKET SET SCREW		*		3
16	B3424245000	KNEE LIFTER PLATE ARM		*		1
17	B3425245000A	SPRING		*		1
18	SS9182010SN	SCREW 9/32-20 L=20		*		2
19	SK1483200SE	WOOD SCREW D=4.8 L=32				4
20	B8131019000	CHAIN				1
21	B8133019000	S SHAPED HOOK				2
22	B34262450A0	KNEE PRESS PLATE ASM.				1

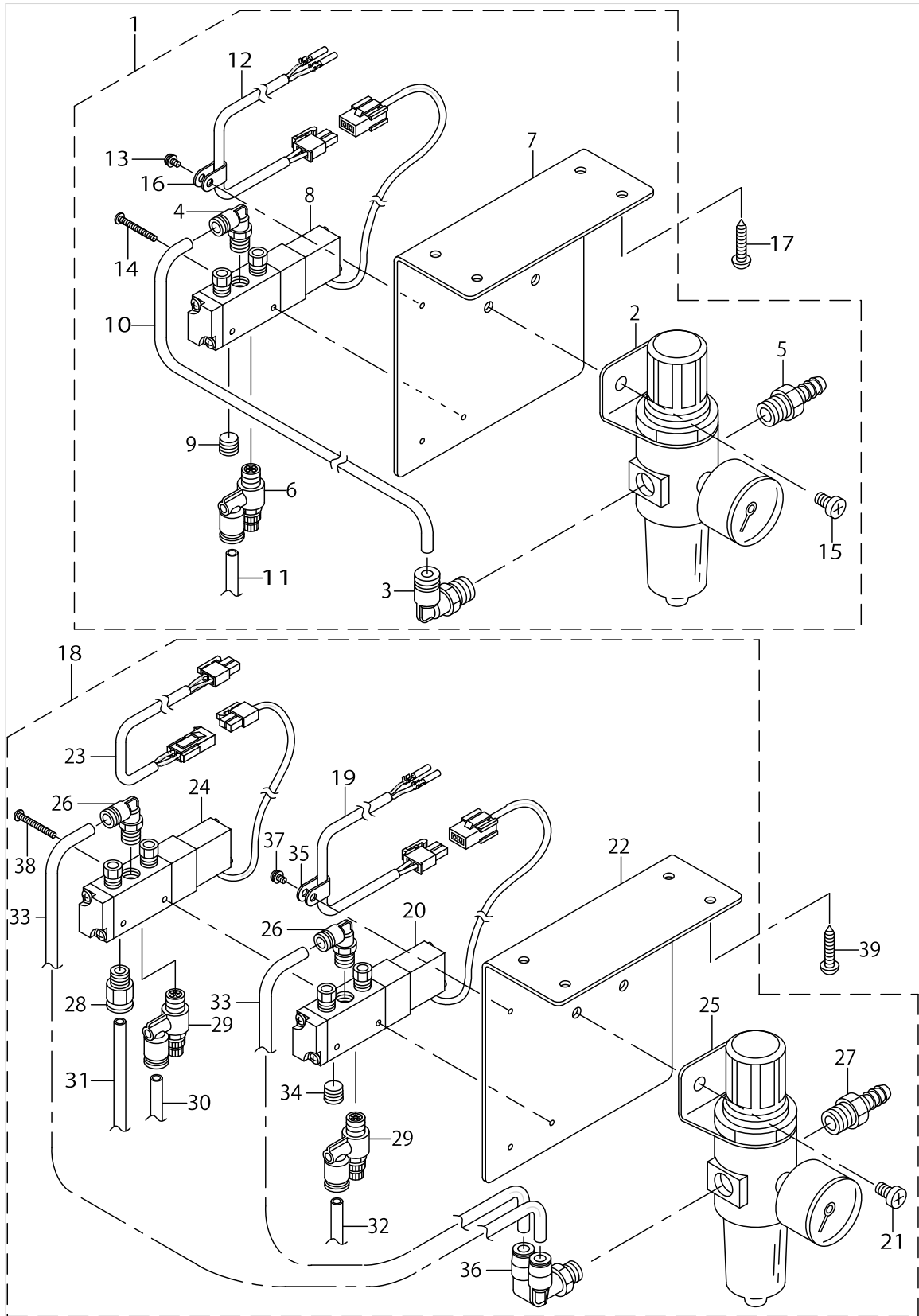
AUTOMATIC HAND LIFTER COMPONENTS (FOR LS-341N-7)



AUTOMATIC HAND LIFTER COMPONENTS (FOR LS-341N-7)

No.	Parts No.	Parts name	Remarks	Level	Cons	Qty
1	GAKA1702000	AUTOMATIC PRESSER LIFTER ARM				1
2	GAKA1703000	AIR CYLINDER ARM				1
3	PA2502503A0	CYLINDER ASM.				1
4	GAK29010000	ELBOW B				2
5	SS1151310TP	SCREW				2
6	SD0790431SP	HINGE SCREW D= 7.94 H= 4.3				1
7	SD0801601SP	HINGE SCREW D= 8 H=16				1
8	WP0850002SP	WASHER 8.5X18X1.6				2
9	GAKA14040D0	KNEE SWITCH B ASM.	FOR AK-117A			1
10	GAKA14040B0	KNEE SWITCH B ASM.		*		1
11	MAT80231T00	DRIVING BAR, T002		*		1
12	MAT80230T00	KNEE SWITCH SUPPORT BASE		*		2
13	SS6151220SP	SCREW 15/64-28 L=11.5		*		4
14	SS7111410SP	SCREW 11/64-40 L=14		*		2
15	SK3514000SC	WOOD SCREW D=5.1 L=40	FOR AK-117A			2

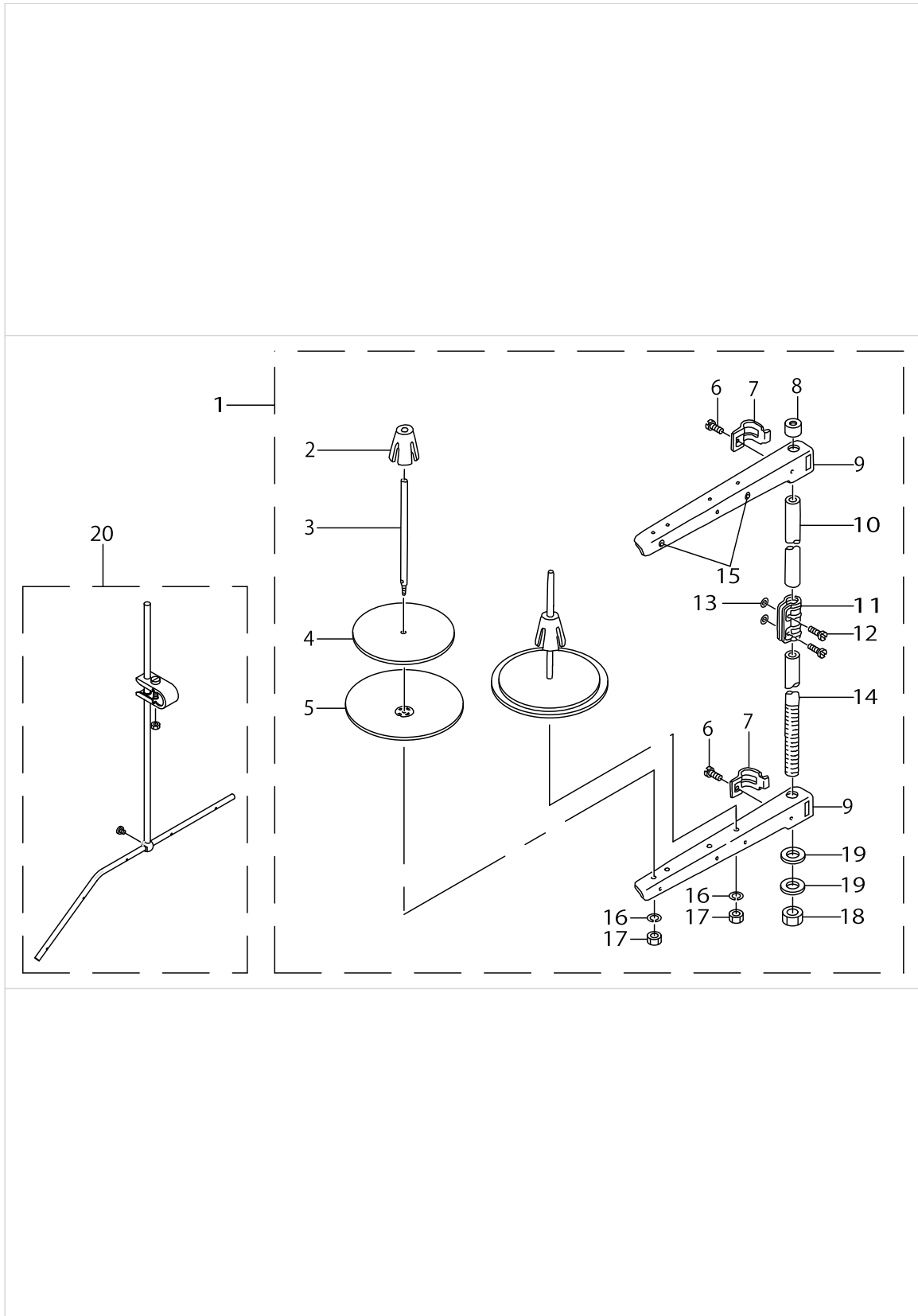
AIR COMPONENTS (FOR LS-341N-7)



AIR COMPONENTS (FOR LS-341N-7)

No.	Parts No.	Parts name	Remarks	Level	Cons	Qty
1	23105554	AIR COMPONENTS ASM.	FOR LS-341N-7			1
2	GAK29007000	FILTER REGULATOR		*		1
3	GAK29009000	ELBOW		*		1
4	GAK29010000	ELBOW B		*		1
5	GAK29011000	NIPPLE		*		1
6	GAK29016000	SPEED CONTROLLER		*		1
7	GAKA1401000	SOLENOID VALVE MOUNTING PLATE		*		1
8	GAKA17040A0	SOLENOID VALVE ASM.		*		1
9	GHP03511000	PLUG 1/8		*		1
10	BT0600401EB	TUBE		*		0.18
11	BT0600401EB	TUBE		*		1.3
12	GAKA17050A0	CORD ASM.		*		1
13	SL4030691SC	SCREW M3X6		*		1
14	SM4032501SB	SCREW M3X0.5 L=25.0		*		2
15	SM4061001SB	SCREW M6 L=10		*		2
16	HX001230000	CABLE CLIP		*		1
17	SK3482500SC	WOOD SCREW D=4.8 L=25	FOR LS-341N-7			4
18	GAKA17010A0	AIR COMPONENTS ASM.	FOR LS-341N-7 / AK-117			1
19	GAKA17050A0	CORD ASM.		*		1
20	GAKA17040A0	SOLENOID VALVE ASM.		*		1
21	SM4061001SB	SCREW M6 L=10		*		2
22	GAKA1401000	SOLENOID VALVE MOUNTING PLATE		*		1
23	GAKA14020A0	CORD ASM.		*		1
24	GAKA14030A0	SOLENOID VALVE ASM.		*		1
25	GAK29007000	FILTER REGULATOR		*		1
26	GAK29010000	ELBOW B		*		2
27	GAK29011000	NIPPLE		*		1
28	GAK29015000	JOINT A		*		1
29	GAK29016000	SPEED CONTROLLER		*		2
30	BT0600401EB	TUBE		*		1.3
31	BT0600401EB	TUBE		*		1.3
32	BT0600401EB	TUBE		*		1.3
33	BT0600401EB	TUBE		*		0.18
34	GHP03511000	PLUG 1/8		*		1
35	HX00123000A	CABLE CLIP		*		1
36	PJ309065202	JOINT		*		1
37	SL4030691SC	SCREW M3X6		*		1
38	SM4034001SN	SCREW M3 L=40		*		2
39	SK3482500SC	WOOD SCREW D=4.8 L=25	FOR LS-341N-7 / AK-117			4

THREAD STAND COMPONENTS

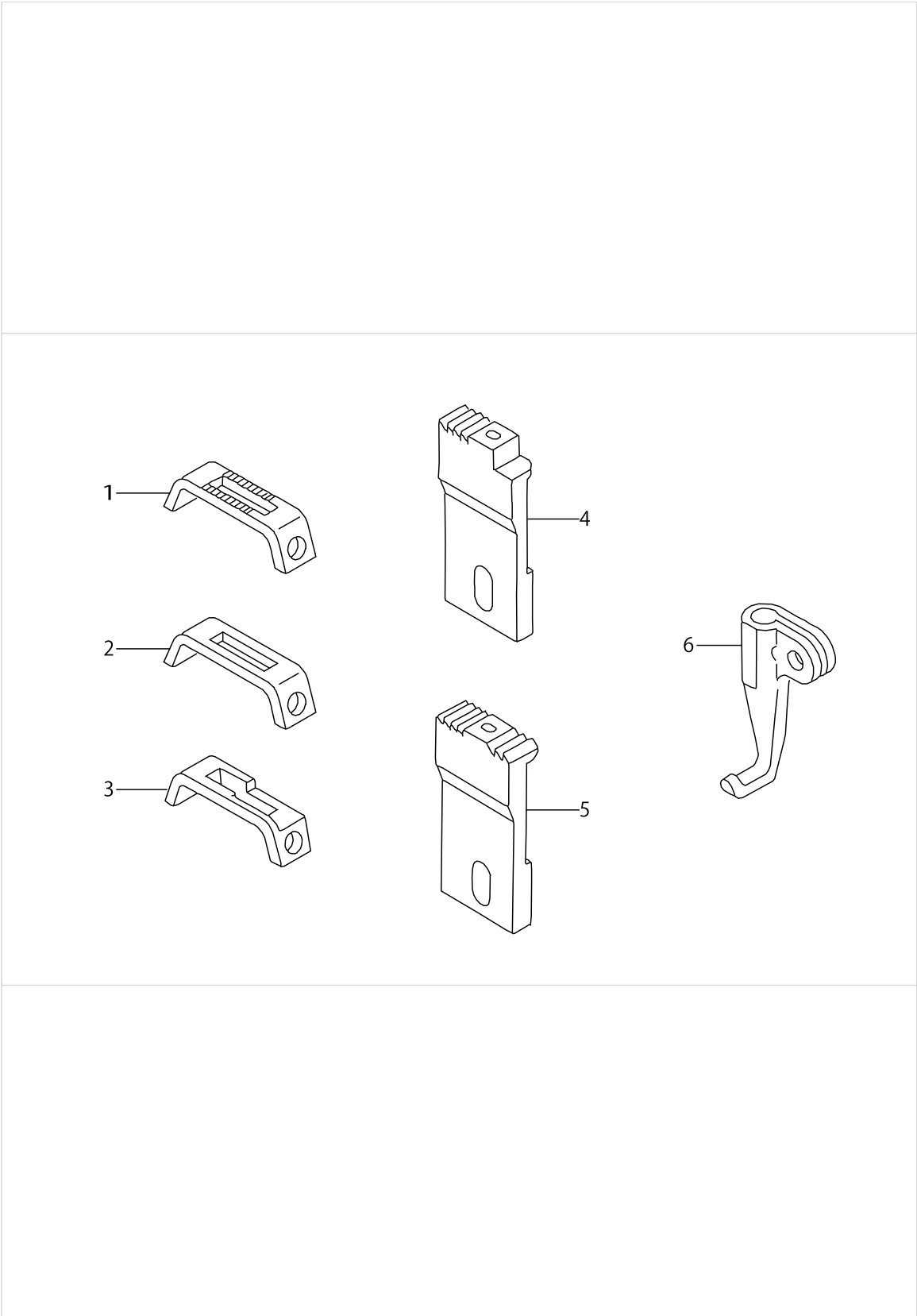


THREAD STAND COMPONENTS

No.	Parts No.	Parts name	Remarks	Level	Cons	Qty
1	22930358	THREAD STAND ASM.				1
2	22931109	SPOOL RETAINER		*		2
3	22931000	SPOOL PIN		*		2
4	22930903	SPOOL REST CUSHION		*		2
5	22930804	SPOOL REST		*		2
6	SM6061610SC	SCREW M6 L=16		*		2
7	22930705	THREAD GUIDE ARM JOINT		*		2
8	22931406	SPOOL REST ROD RUBBER CAP		*		1
9	22930507	SPOOL REST ARM		*		2
10	22930408	SPOOL REST ROD, UPPER		*		1
11	22931307	SPOOL REST ROD JOINT		*		1
12	SM4051405SE	SCREW M5 L=14		*		2
13	NM6050001SE	NUT M5		*		2
14	22930309	SPOOL REST ROD, LOWER		*		1
15	22931208	THREAD GUIDE		*		2
16	WS0510002KN	SPRING WASHER		*		2
17	NM6050001SE	NUT M5		*		2
18	NM6160511SE	NUT M16X1.5		*		1
19	WP1702600S0	WASHER 17X30X2.6		*		2
20	B33097040A0	THREAD GUIDE ARM ASM.				1



GAUGE COMPONENTS (FOR LS-341N)



GAUGE COMPONENTS (FOR LS-341N)

No.	Parts No.	Parts name	Remarks	Level	Cons	Qty
1	21222104	THROAT PLATE	OPTIONAL PARTS			1
2	21222005	THROAT PLATE	OPTIONAL PARTS			1
3	21222203	THROAT PLATE	OPTIONAL PARTS			1
4	21225107	FEED DOG (OPTION)	OPTIONAL PARTS			1
5	21225008	FEED DOG	OPTIONAL PARTS			1
6	21231006	WALKING FOOT	OPTIONAL PARTS			1

LIST FOR INFORMATION OF CHANGE

As to the place changed, refer to the corresponding Rev.No.  
 When previous parts(Obsoleted part)and new parts(Added parts)are  
 not interchangeable with each other:  
 In this case,even obsoleted parts(D.)can be ordered with the  
 obsoleted part number,so select the parts with changed dates and  
 place your orders.

変更箇所は、該当Rev.No.版をご参照ください。  
 部品の互換性がない変更の場合は、削除された品番でも、ご注文できます。

29316304  
 No.1231-01・・・Rev.No.

\*A:Added parts追加部品/D:Obsoleted parts削除部品/E:Erratum訂正

* Rev. No.	Page 頁	Ref. No.	Parts No. 品番	* Rev. No.	Page 頁	Ref. No.	Parts No. 品番
D 00	2	6	TA-1250406-R0	A 01	2	6	TA-1100604-R0
				A 01	2	68	107-41759
D 00	6	61	SS-8110410-TP	A 01	6	61	SS-8150432-TH
D 00	10	19	B1148-555-000	A 01	10	19	229-12109
D 00	10	34	SS-6110670-TP	A 01	10	34	SS-7110840-SP
D 00	12	5	SS-8110310-SP	A 01	12	5	SS-8110422-TP
				A 01	12	38	EA-9500B01-00
				A 01	16	23	WS-0310002-KR
D 00	18	22	167-75850	E 01	18	22	B3426-245-0A0
D 00	22	8	GAK-A14030A0	A 01	22	8	GAK-A17040A0
D 00	22	12	HK-0346200-20				
D 00	22	13	HK-0346300-00				
D 00	22	14	HK-0346400-0B				
D 00	22	15	HW-5001400-00				
				A 01	22	12	GAK-A17050A0
				A 01	22	19	GAK-A17050A0
				A 01	22	20	GAK-A17040A0
D 00	22	35	HK-0346200-20				
D 00	22	36	HK-0346300-00				
D 00	22	37	HK-0346400-0B				
D 00	22	38	HW-5001400-00				
D 00	22	39	HX-0012300-00	A 01	22	35	HX-0012300-0A

## HOW TO MAKE USE OF THIS PARTS LIST

### 1.Explanation of codes

1)"\*"mark.....means this part is changed from the previous parts book.

As to the details of the change, refer to the "List for information of change".

2)"#01".....refer to "Note" explanation at bottom of page.

### 2.Codes on the "Qty" column

• Each numeral indicates the number of parts required.

• "0.1" and "2.5" indicate the length (in meters) of the respective parts.

3.Parentheses mean that the corresponding part is a subpart that constructs an assembly part.

4.Dotted lines on the Figures indicate assembly parts.

### 1."注記"欄の記号説明

1) "\*"印.....前回のパーツブックに比較して今回変更された部品を意味します。

変更内容は、"変更情報リスト"を参照してください。

2) "#01".....ページ下の"注記"の説明を参照してください。

2.数量欄の数字は、個数を表し、0.1、2.5等の数値は、長さ（単位メートル）を表します。

3.数量欄の（ ）は、組部品を構成している子部品であることを意味します。

4.イラストページの-----枠は、組構成であることを意味します。

# NUMERICAL INDEX OF PARTS

PART NO	PAGE	REF NO.	PART NO	PAGE	REF NO.	PART NO	PAGE	REF NO.
10004109	4	51	21226600	20	52	23101306	10	22
10080406	12	55	21226709	18	30	23101405	18	14
10119709	24	21	21227103	12	50·67	23101504	18	15
10119907	24	24	21227301	12	48·76	23101603	18	16
10120004	24	27	21227400	10	31·71	23101702	20	33·70
10124204	28	7	21227905	2	36	23101801	20	71
10320109	28	22	21229604	10	41·42	23102007	10	41·42
10320208	26	17	21229661	10	39·40	23102056	10	39·40
10320208	28	17	21229752	10	30·70	23102106	10	43·44
10320505	28	4	21230057	16	9	23102205	12	48·76
10320604	28	20	21230107	16	22	23102353	12	30·70
10503605	8	56	21230305	16	21	23102502	12	36·72
10509701	16	24	21230552	26	1	23102601	12	31·71
10622009	22	35	21230602	32	1	23102700	12	60
10736601	24	9	21230701	32	3	23103054	28	6
10737302	24	11	21231006	40	6	23103062	28	1
10741759	4	68	21231105	10	43·44	23103203	22	1
11002904	12	59·74	21231204	10	36·72	23103302	22	2
11072204	28	11	21232707	12	50·67	23103401	22	17
11072402	28	10	21237607	2	38	23103500	22	15
11415866	30	10	21237854	2	1	23103609	22	21
21027503	32	2	21237904	2	12	23103708	12	78
21220413	2	34·54	22607303	10	8	23103807	22	24
21220504	2	44	22912109	18	19	23103906	22	25
21220900	2	3	22930309	38	14	23104003	22	27
21221452	26	21	22930358	38	1	23104102	22	32
21221908	2	30·52	22930408	38	10	23104201	22	31
21222005	40	2	22930507	38	9	23104300	22	8~14
21222104	40	1	22930705	38	7	23104409	22	8~14
21222203	40	3	22930804	38	5	23104508	22	8~14
21223201	2	15	22930903	38	4	23104607	22	8~14
21223300	6	47	22931000	38	3	23104706	22	8~14
21223409	8	53	22931109	38	2	23104805	22	8~14
21223508	8	54	22931208	38	15	23104904	22	8~14
21223706	8	49	22931307	38	11	23105000	20	20·68
21223805	10	5	22931406	38	8	23105109	24	19
21223854	10	1	23005804	22	6	23105208	24	33
21224308	18	45	23005903	22	16	23105307	24	14
21225008	40	5	23100407	4	34·54	23105406	24	1
21225107	40	4	23100506	2	35	23105554	36	1
21225305	18	33·70	23100605	2	32	B1106340000	2	28
21226006	18	4	23100704	4	58	B1114280000	24	23
21226105	18	21	23100803	4	30·52	B1116246000	2	13
21226303	20	51	23100902	4	53	B1117246000	2	9
21226402	18	20·68	23101009	6	44	B1128246000	2	43

# NUMERICAL INDEX OF PARTS

PART NO	PAGE	REF NO.	PART NO	PAGE	REF NO.	PART NO	PAGE	REF NO.
B1129563000	2	19	B14602460A0	14	19	B1806038000	12	58
B1130051000	2	10	B1461245000	14	17	B1806038000	18	55
B1130528000	2	26	B1462053000	14	18	B1806038000	20	55
B1131528000	2	27	B1465053000	16	8	B1816340000	12	49
B1140051000	2	21	B1466563000	16	1	B1820246000	12	77·80
B1147555000	18	18	B1467563000	12	65	B182024600A	12	77·80
B115824500A	2	7·46	B1468053000	16	10	B182024600B	10	45~47
B12013400A0	6	15	B1470053000	16	2	B182024600C	10	45~47
B1202051000	6	25	B1501241H00	14	1	B182024600D	10	45~47
B1203051000	6	27	B1502246000	14	11	B1826246000	10	33
B1203340000	6	29	B1509141H00	14	9	B1827246000	10	32
B1206051000	6	20	B1510155000	14	2	B1836246000A	12	52
B1210051000	6	19	B1511555000	14	10	B1905241H00	6	7
B1213012000	16	12	B1512141H00	14	12	B1906051000	6	2
B1213012000	20	53	B1515051000	14	13	B1907051000	6	11
B1214019000	8	50	B15250530A0	14	5	B2733761000	24	25
B1216051000	6	41	B1601340000	18	35	B3008141H00	16	5
B1217051000	6	39	B1602340000	18	31	B3031141H00	22	29
B1218051000	6	43	B1603340000	18	37	B3120125000	28	12
B1301340000	8	55	B1603340A00	20	66	B3121512000	26	4
B1302051000	6	34	B1605246000	6	8	B3122053000	26	13
B1305055000A	8	58	B1607246000	18	43	B3122053000	28	28
B1307055000	8	59	B1608512000	10	9	B3123051000	26	5
B1308055000	8	60	B1609246000	20	48	B3124051000	26	6
B1309055000	8	61	B1616246000	18	40	B3125012000	26	2
B1310055000	6	33	B1617246000	18	42	B3126051000	26	7
B1314055000	6	28	B1619246000	18	1	B3126051000	28	15
B1411053000	10	23	B1621246000	18	2	B3127051000	26	8
B1412051000	10	24	B1622246000	18	6	B3127051000	28	2
B1414555000	16	25	B1622555000	20	56	B3128051000	26	9
B1419245000	10	28	B1623246000	18	7	B3128051000	28	21
B1422512000	10	6	B1624141H00	20	57·69	B3129053000	26	3
B1424512000A	10	2	B1624246000	18	12	B3129053000	28	13
B1430512000	10	15	B1625246000	18	13	B3132051000	26	10
B1432027000	12	63	B1626246000	18	11	B3132051000	28	14
B1434246000	10	16	B1627246000	18	9	B3134051000	26	11
B1437512000A	10	3	B1628246000	10	19	B313705100A	26	12
B1438512A00	10	10·11·12	B1630246000	18	24	B313705100B	26	18
B1438512B00	10	10·11·12	B1631246000	18	26	B313705100C	26	19
B1438512C00	10	13	B1639051000	8	57	B313705100D	26	20
B1440512000	10	7	B1666246000	18	28	B31375270A0	28	19
B1455053000	16	3	B1702012000	16	11	B3138512000	2	23
B1456053000	16	4	B1702012000	20	54	B3214047000	26	25
B1458241H00	16	6	B1803246000	12	53	B3214047000	28	8
B1460245000	14	16	B1805201000	12	54	B3216047000	26	26

# NUMERICAL INDEX OF PARTS

PART NO	PAGE	REF NO.	PART NO	PAGE	REF NO.	PART NO	PAGE	REF NO.
B33097040A0	38	20	CS1111019SH	18	46	HK03464000B	22	36
B3401340000	14	20	D1158241E0A	2	7·46	HK03464000B	24	36
B3418245000	32	4	D1408241E00	6	14	HK03464000B	28	24
B3420245000	32	9	D1450055B00	6	31	HX001230000	36	16
B34202450A0	32	8	D1453055B00	16	13	HX00123000A	36	35
B3422245000	32	10	D1454055B00	16	14	MAT80230T00	34	12
B3423245000	32	11	D1455055B00	16	15	MAT80231T00	34	11
B3424141H00	32	14	D1456055B00	16	16	MAT81126T00	24	35
B3424245000	32	16	D1459241E00	16	7	MC372001100	12	26·64·68
B3425141H00	32	15	D1462241E00	14	6	MC372001600	12	26·64·68
B3425245000A	32	17	D1463241E00	14	7	MDP170B2300	10	26·64·68
B34262450A0	32	22	D1464241E0A	14	8	MSCM80000A0	4	55
B3433141H0A	32	12	D1624141E0A	20	57·69	NM6050001SE	38	17
B3434141H00	32	13	D1680141EA0	24	34	NM6060001SE	24	10
B3503115000	2	16	D1684141E00A	24	17	NM6160511SE	38	18
B3511280000	12	59·74	D1685141E00	24	28	NS6110310SP	28	5
B8131019000	32	20	D1687141E00	24	18	NS6110350SP	28	27
B8133019000	32	21	D2112555B00	4	61	NS6110530SP	16	18
B8234271000	4	60	D2436245E00	22	19	NS6150430SP	4	56
B9101246000	30	2	D3161555B00	26	22	NS6150430SP	24	40
B91012460AA	30	1	D3162555B00	26	23	NS6620310SP	32	6
B91022450AA	30	11	D3168555H0B	26	24	NS6660430SP	16	19
B910424600A	30	7	D3168555H0B	28	9	NS6660430SP	18	44
B9106246000	30	4	D9117141E00	12	29·69	NS6680410SP	10	18
B9107246000	30	5	EA9500B0100	22	38	PA2502503A0	34	3
B9108246000	4	57	GAK29007000	36	25	PA320150200	24	2
B9109246000	4	65	GAK29009000	36	3	PJ304065102	24	8
B9117201000	10	29·69	GAK29010000	34	4	PJ309065202	36	36
BP300000000	24	26	GAK29010000	36	26	PS0200102KH	8	48
BT0600401EB	36	33	GAK29011000	36	27	PS0200122K0	26	14
BT0630520Z0	4	67	GAK29015000	36	28	PS060024100	2	41
CM300200001	4	48	GAK29016000	36	29	PS0600302KP	2	40
CM3002000B1	2	47	GAKA1401000	36	22	PS0600602KP	2	42
CM300200101	4	49·50	GAKA14020A0	36	23	PT0502700S0	10	4
CM3002001A1	4	49·50	GAKA14030A0	36	24	PX015101000	24	7
CM500300001	30	3	GAKA14040B0	34	10	RC2421211KP	6	32
CQ200000000	6	12	GAKA14040D0	34	9	RE0600000K0	24	13
CQ200000000	20	63	GAKA17010A0	36	18	SB115000200	6	42
CQ202000000	2	17	GAKA1702000	34	1	SD0400201SD	18	29
CQ202000000	6	3	GAKA1703000	34	2	SD0470281SP	26	15
CQ202000000	12	62	GAKA17040A0	36	20	SD0470281SP	28	3
CQ252000000	6	5	GAKA17050A0	36	19	SD0500721SP	22	30
CQ303000000	6	16	GES12155000	4	64	SD0600341TP	22	22
CQ505000000	6	18	GHP03511000	36	34	SD0640322TP	6	13
CS0790711SH	22	4	HK034610140	22	37	SD0640325SP	18	25

NUMERICAL INDEX OF PARTS

PART NO	PAGE	REF NO.	PART NO	PAGE	REF NO.	PART NO	PAGE	REF NO.
SD0720321TP	22	23	SS6110710TP	16	20	SS7621040SP	24	37
SD0720331SP	24	20	SS6111140SP	4	63	SS7681750TP	6	35
SD0790431SP	34	6	SS6111140SP	28	26	SS7701010SP	8	52
SD0790601SP	32	5	SS6111140SP	30	6	SS8090410SP	8	51
SD0790701SP	18	36	SS6120930TP	22	34	SS8090540SP	18	10
SD0791271SP	24	12	SS6121050SP	18	17	SS8110422TP	22	5
SD0800352SP	2	14	SS6121210SP	18	27	SS8110510SP	26	27
SD0800402TP	24	15	SS6151220SP	34	13	SS8150432TH	12	61
SD0800481SP	14	14	SS6151440SP	10	20	SS8150510TP	12	56
SD0801601SP	34	7	SS6151440SP	20	59	SS8150510TP	18	8
SD1020961SP	10	17	SS6660710TP	6	38	SS8150710SP	6	40
SD1127321SP	14	21	SS7080510TP	10	27	SS8150710SP	14	3
SK1483200SE	32	19	SS7090520SP	2	24	SS8150710SP	18	23
SK3482500SC	30	8	SS7090710SP	2	2	SS8150750SP	18	41
SK3482500SC	36	39	SS7090710SP	10	35-73	SS8151150SP	18	58
SK3514000SC	34	15	SS7090710SP	16	23	SS8151150SP	20	58
SL4030691SC	36	37	SS7090910SP	10	35-73	SS8151550SP	6	45
SM4032501SB	36	14	SS7090910SP	12	35-73	SS8151550SP	20	49
SM4034001SN	36	38	SS7090910SP	20	65	SS8151780SP	6	46
SM4051405SE	38	12	SS7110410SP	2	37	SS8660610TP	6	30
SM4061001SB	36	21	SS7110510SP	16	26	SS8660610TP	18	47
SM6020450TP	22	20	SS7110510SP	28	16	SS8660612TP	12	79
SM6040602TP	22	33	SS7110710SP	2	66	SS8660810TP	20	61
SM6051002TP	12	37-75	SS7110710SP	4	66	SS8661030SP	6	9
SM6051202TP	10	37-75	SS7110710SP	28	25	SS8661040TP	20	62
SM6051202TP	22	28	SS7110720SP	26	28	SS8680540SP	6	21
SM6061602TP	24	3	SS7110720TP	10	21	SS8680730SP	6	24
SM6061610SC	38	6	SS7110730SP	32	7	SS8681650TP	6	36
SM6082002SP	2	5	SS7110830SP	18	39	SS9152130CP	10	14
SM8050602TP	22	26	SS7110840SP	18	34	SS9182010SN	32	18
SS1080620SP	18	38	SS7110910SP	12	66	TA0500000R0	6	1
SS1092810SP	10	34	SS7111120SP	2	18	TA0500601M0	6	17
SS1110710SP	22	3	SS7111120SP	24	6	TA1100604R0	2	6
SS1151310TP	34	5	SS7111310SP	14	15	TA2050406R0	24	30
SS2090520SL	2	33	SS7111410SP	34	14	WP0371016SD	20	64
SS2090710SP	2	25	SS7112810SP	2	31	WP0482086SD	16	17
SS2090710SP	26	29	SS7113110SP	2	45	WP0501016SC	30	9
SS3090710TP	28	18	SS7121410SP	24	22	WP0501016SD	24	38
SS4080610SP	26	16	SS7150740SP	14	23	WP0520656SA	10	38
SS5090610SP	2	22	SS7150940SP	2	8	WP0621016SD	24	39
SS5110710SP	4	59	SS7151210SP	4	62	WP0641601SD	24	4
SS6080720SP	20	67	SS7151210SP	24	29	WP0850002SP	34	8
SS6090910TP	14	4	SS7151550SP	20	50	WP1702600S0	38	19
SS6110480SP	22	7	SS7620750SP	20	60	WS0310002KR	28	23
SS6110480SP	30	12	SS7621040SP	14	24	WS0510002KN	38	16



## NUMERICAL INDEX OF PARTS

PART NO	PAGE	REF NO.
WS0631510KP	24	31