

MODEL : DLN-5410N SERIES

List No : 0904-07

# PARTS LIST

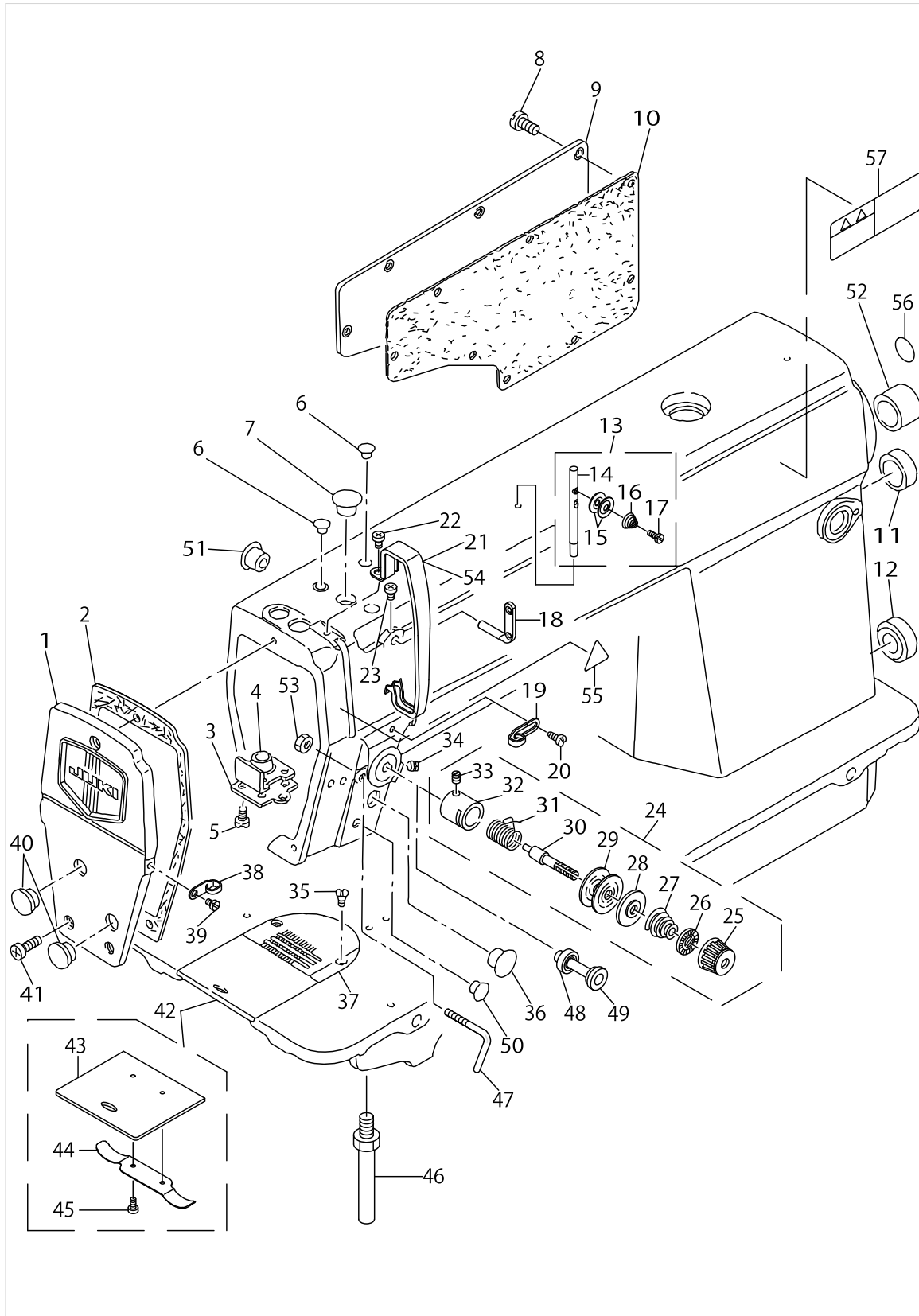
Published:02/15/2019

## CONTENTS

---

|   |    |
|---|----|
| MACHINE FRAME & MISCELLANEOUS COVER COMPONENTS .....            | 1  |
| MAIN SHAFT & THREAD TAKE-UP LEVER COMPONENTS .....              | 5  |
| NEEDLE BAR, UPRIGHT SHAFT & HOOK DRIVING SHAFT COMPONENTS ..... | 7  |
| HAND LIFTER COMPONENTS .....                                    | 9  |
| FEED MECHANISM COMPONENTS.....                                  | 11 |
| NEEDLE BAR FRAME COMPONENTS.....                                | 15 |
| OIL LUBRICATION COMPONENTS .....                                | 17 |
| OIL RESERVOIR COMPONENTS .....                                  | 19 |
| BELT COVER & BOBBIN WINDER COMPONENTS .....                     | 21 |
| THREAD STAND COMPONENTS.....                                    | 23 |
| EXCLUSIVE PARTS FOR DLN-5410NH.....                             | 25 |
| EXCLUSIVE PARTS FOR DLN-5410NL.....                             | 27 |
| LIST FOR INFORMATION OF CHANGE.....                             | 29 |
| HOW TO MAKE USE OF THIS PARTS LIST .....                        | 30 |

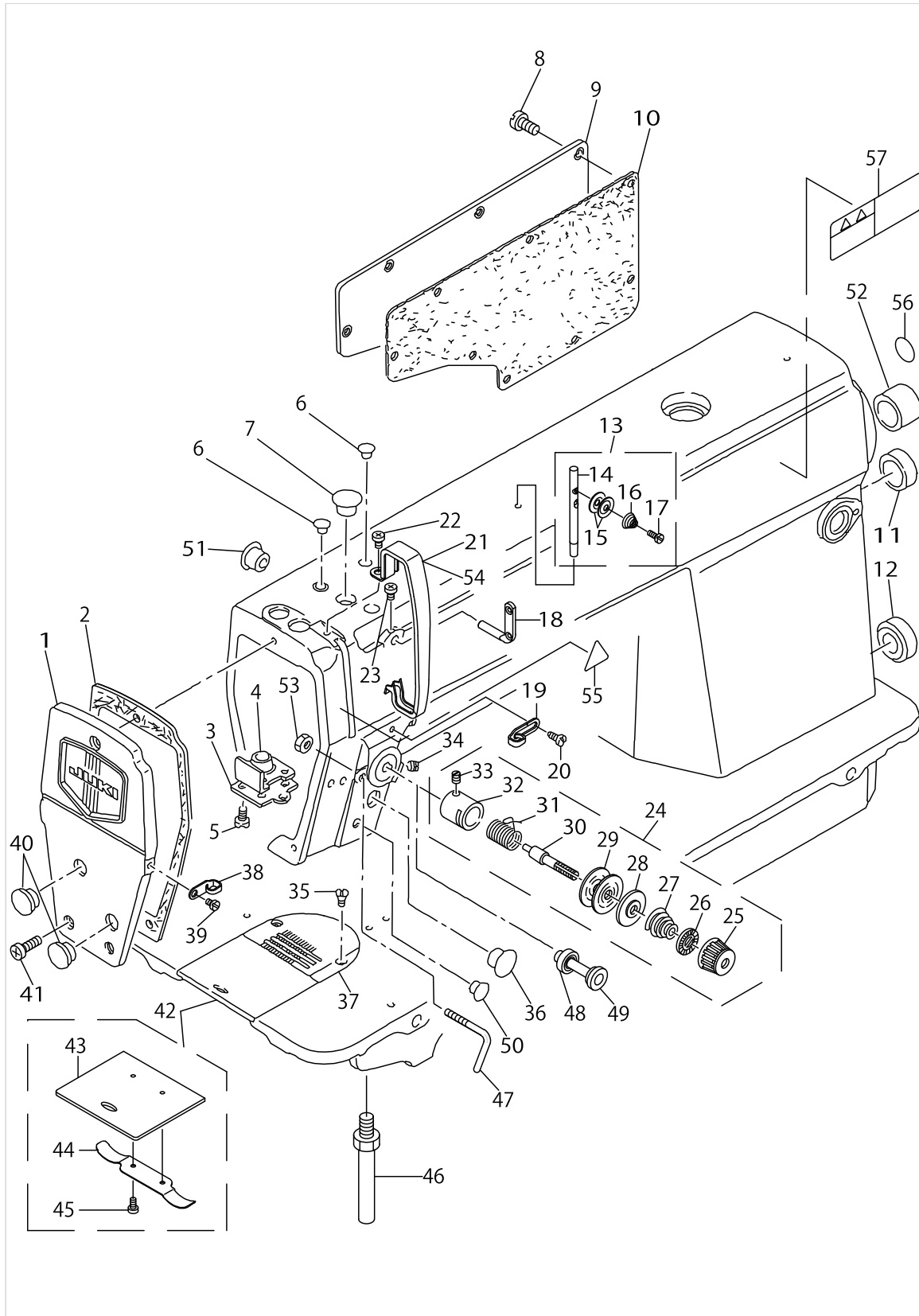
MACHINE FRAME & MISCELLANEOUS COVER COMPONENTS



MACHINE FRAME & MISCELLANEOUS COVER COMPONENTS

| No. | Parts No.   | Parts name                   | Remarks | Level | Cons | Qty |
|-----|-------------|------------------------------|---------|-------|------|-----|
| 1   | 11325750    | FACE PLATE ASM.              |         |       |      | 1   |
| 2   | 11300506    | FACE PLATE GASKET            |         |       |      | 1   |
| 3   | 11300407    | PRESSER BAR SUPPORT          |         |       |      | 1   |
| 4   | 11300605    | GASKET                       |         |       |      | 1   |
| 5   | SS1120710SP | SCREW 3/16-28 L=6.7          |         |       |      | 4   |
| 6   | TA0850604R0 | RUBBER PLUG                  |         |       |      | 2   |
| 7   | TA1250705R0 | RUBBER PLUG                  |         |       |      | 1   |
| 8   | SS4120915SP | SCREW 3/16-28 L=9            |         |       |      | 8   |
| 9   | 22900401    | WINDOW PLATE                 |         |       |      | 1   |
| 10  | 11003308    | GASKET                       |         |       |      | 1   |
| 11  | TA2000502R0 | RUBBER PLUG                  |         |       |      | 1   |
| 12  | TA2101002R0 | RUBBER PLUG                  |         |       |      | 1   |
| 13  | 22932552    | NEEDLE THREAD GUIDE PIN ASM. |         |       |      | 1   |
| 14  | 22932503    | THREAD GUIDE ROD             |         | *     |      | 1   |
| 15  | 22932602    | THREAD GUIDE DISK            |         | *     |      | 2   |
| 16  | 22932701    | THREAD GUIDE DISK SPRING     |         | *     |      | 1   |
| 17  | SD0380552SL | HINGE SCREW D=3.8 H=5.5      |         | *     |      | 1   |
| 18  | 22920706    | TWO EYELET                   |         |       |      | 1   |
| 19  | 22920508    | ARM THREAD GUIDE A           |         |       |      | 1   |
| 20  | 22921001    | SCREW                        |         |       |      | 1   |
| 21  | 22900609    | THREAD TAKE-UP LEVER COVER   |         |       |      | 1   |
| 22  | SS4120615SP | SCREW 3/16-28 L=6            |         |       |      | 1   |
| 23  | SS4120615SP | SCREW 3/16-28 L=6            |         |       |      | 1   |
| 24  | 22945356    | THREAD TENSION ASM.          |         |       |      | 1   |
| 25  | 22921308    | THREAD TENSION NUT           |         | *     |      | 1   |
| 26  | 22921407    | ROTATION STOPPER             |         | *     |      | 1   |
| 27  | 22921704    | THREAD TENSION SPRING, A     |         | *     |      | 1   |
| 28  | 22921803    | DISK STOPPER                 |         | *     |      | 1   |
| 29  | 22921506    | THREAD TENSION DISK          |         | *     |      | 2   |
| 30  | 22921209    | THREAD TENSION POST          |         | *     |      | 1   |
| 31  | 22921605    | THREAD TAKE-UP SPRING        |         | *     |      | 1   |
| 32  | 22945307    | THREAD TENSION POST BASE     |         | *     |      | 1   |
| 33  | SS8090670SP | SCREW 9/64-40 L= 5.5         |         | *     |      | 1   |
| 34  | SS8150710TP | SCREW 15/64-28 L=7           |         |       |      | 1   |
| 35  | SS2110920TP | SCREW 11/64-40 L=8.5         |         |       |      | 2   |
| 36  | TA1250504R0 | RUBBER PLUG                  |         |       |      | 1   |
| 37  | 11300308    | THROAT PLATE                 |         |       |      | 1   |
| 38  | 22920607    | ARM THREAD GUIDE B           |         |       |      | 1   |
| 39  | SS6110610TP | SCREW 11/64-40 L=6           |         |       |      | 1   |
| 40  | TA1250406R0 | RUBBER PLUG D=12.5 L=4       |         |       |      | 2   |
| 41  | SS4121015SP | SCREW 3/16-28 L=10           |         |       |      | 3   |
| 42  | 22901250    | SLIDE PLATE ASM.             |         |       |      | 1   |
| 43  | 22901201    | SLIDE PLATE                  |         | *     |      | 1   |
| 44  | 22901300    | SLIDE PLATE SPRING           |         | *     |      | 1   |
| 45  | SS6060210SP | SCREW 3/32-56 L= 1.9         |         | *     |      | 2   |
| 46  | 22901003    | BED SCREW STUD               |         |       |      | 4   |
| 47  | 22972608    | ARM THREAD GUIDE C           |         |       |      | 1   |

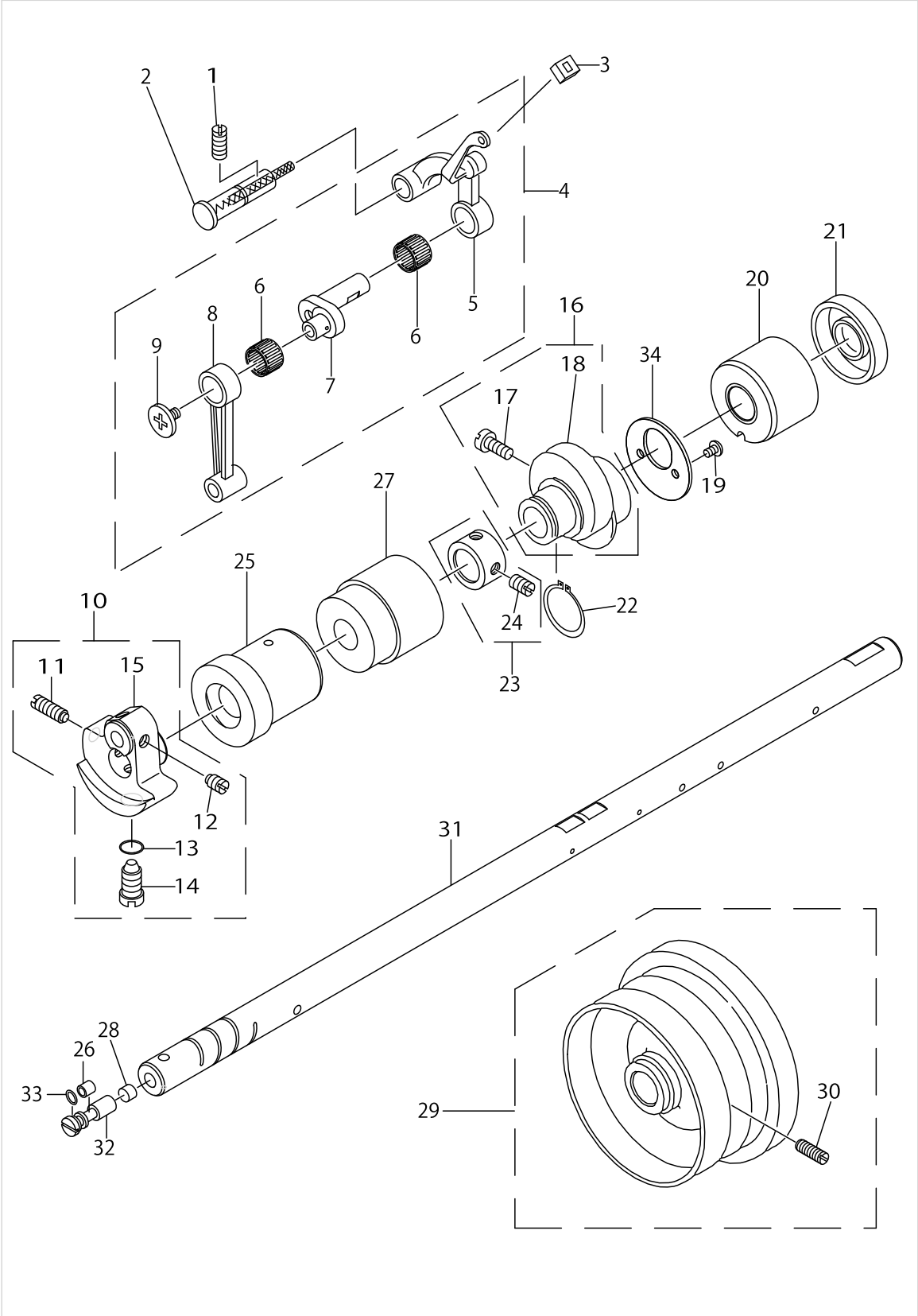
MACHINE FRAME & MISCELLANEOUS COVER COMPONENTS



MACHINE FRAME & MISCELLANEOUS COVER COMPONENTS

| No. | Parts No.   | Parts name                   | Remarks | Level | Cons | Qty |
|-----|-------------|------------------------------|---------|-------|------|-----|
| 48  | B31334150A0 | TENSION RELEASE PIN CAP ASM. |         |       |      | 1   |
| 49  | B3136415000 | CAP RING                     |         |       |      | 1   |
| 50  | TA0850604R0 | RUBBER PLUG                  |         |       |      | 1   |
| 51  | TA1250504R0 | RUBBER PLUG                  |         |       |      | 1   |
| 52  | TA2101002R0 | RUBBER PLUG                  |         |       |      | 1   |
| 53  | NS6090310SP | NUT 9/64-40                  |         |       |      | 1   |
| 54  | 22901904    | THREAD TAKE-UP LEVER COVER   | FOR JE  |       |      | 1   |
| 55  | CM300200001 | ATTENTION SEAL               |         |       |      | 1   |
| 56  | 22901805    | GROUND MARK                  |         |       |      | 1   |
| 57  | CM301300001 | SAFETY LABEL                 |         |       |      | 1   |

MAIN SHAFT & THREAD TAKE-UP LEVER COMPONENTS

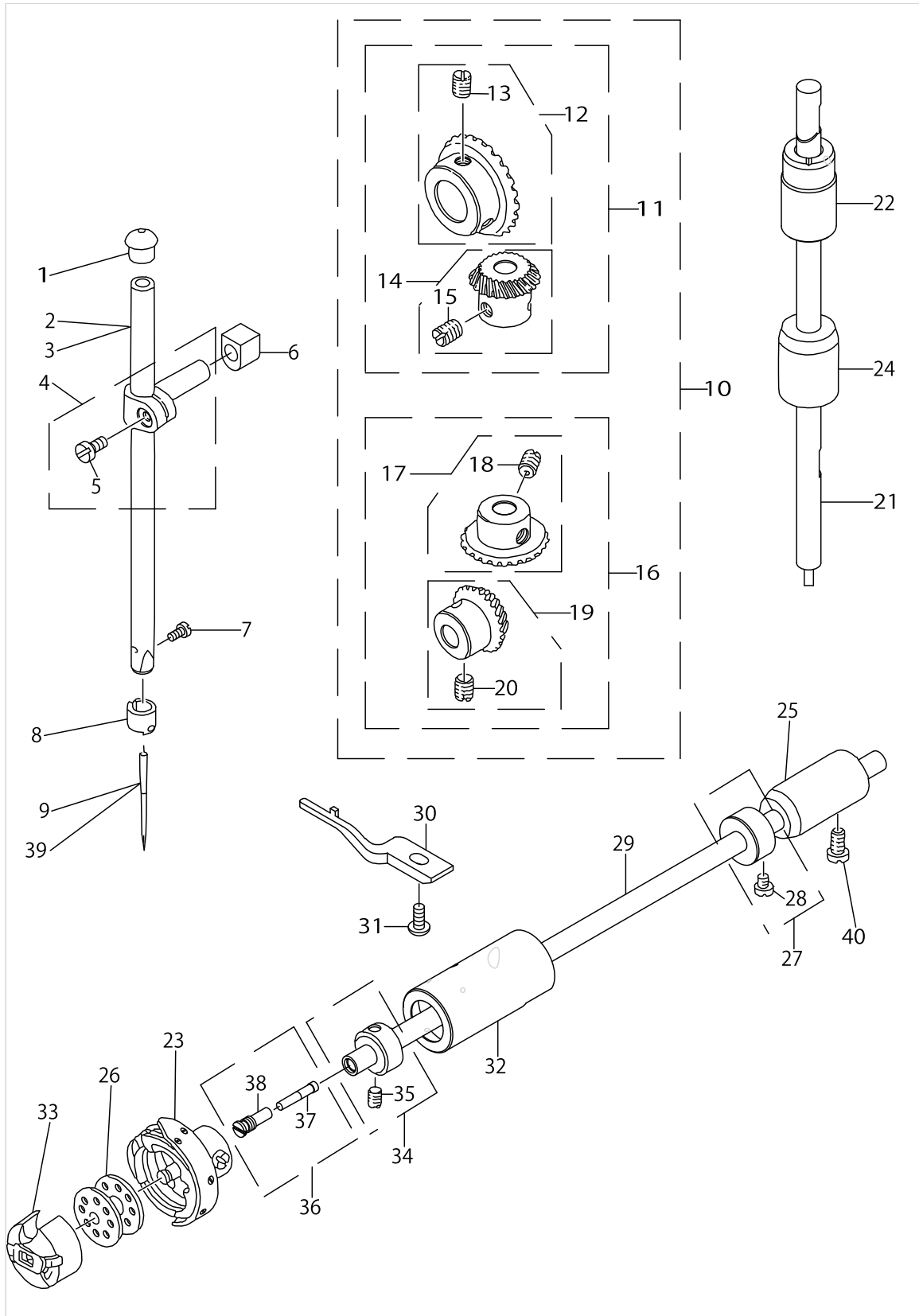


MAIN SHAFT & THREAD TAKE-UP LEVER COMPONENTS

| No. | Parts No.   | Parts name                      | Remarks         | Level | Cons | Qty |
|-----|-------------|---------------------------------|-----------------|-------|------|-----|
| 1   | SS8151150TP | SCREW 15/64-28 L=10.5           |                 |       |      | 1   |
| 2   | 11017357    | THREAD TAKE-UP CRANK SHAFT ASM. |                 |       |      | 1   |
| 3   | 22919203    | OIL PROTECTING RUBBER           |                 |       |      | 1   |
| 4   | 11039070    | THREAD TAKE-UP LEVER ASM.       |                 |       |      | 1   |
| 5   | 11039062    | THREAD TAKE-UP LEVER ASM.       |                 | *     |      | 1   |
| 6   | B1905541B00 | NEEDLE BEARING                  | SELECTIVE PARTS | *     |      | 2   |
| 7   | 11005204    | NEEDLE BAR CRANK                |                 | *     |      | 1   |
| 8   | B1408552000 | NEEDLE BAR CRANK ROD            |                 | *     |      | 1   |
| 9   | B1903552000 | LEFT SCREW                      |                 | *     |      | 1   |
| 10  | 22903157    | COUNTER WEIGHT ASM.             |                 |       |      | 1   |
| 11  | SS8681650TP | SCREW 9/32-28 L=16              |                 | *     |      | 1   |
| 12  | SS8660610TP | SCREW 1/4-40 L=6                |                 | *     |      | 2   |
| 13  | RO044240100 | RUBBER RING                     |                 | *     |      | 1   |
| 14  | SS7681650TP | SCREW 9/32-28 L=16              |                 | *     |      | 1   |
| 15  | 22903108    | COUNTER WEIGHT                  |                 | *     |      | 1   |
| 16  | 11302353    | FEED DRIVE ECCENTRIC CAM ASM.   |                 |       |      | 1   |
| 17  | SS6661110SP | SCREW 1/4-40 L=11               |                 | *     |      | 2   |
| 18  | 11302304    | FEED DRIVE ECCENTRIC CAM        |                 | *     |      | 1   |
| 19  | SS4090615SP | SCREW 9/64-40 L=6               |                 |       |      | 2   |
| 20  | 11002409    | MAIN SHAFT BUSHING, REAR        |                 |       |      | 1   |
| 21  | 11002508    | OIL SEAL                        |                 |       |      | 1   |
| 22  | RC1850001KP | SNAP RING 18.5                  |                 |       |      | 1   |
| 23  | 22904155    | MAIN SHAFT THRUST COLLAR ASM.   |                 |       |      | 1   |
| 24  | SS8660610TP | SCREW 1/4-40 L=6                |                 | *     |      | 2   |
| 25  | 11300902    | BUSHING, FRONT                  |                 |       |      | 1   |
| 26  | B1215552000 | OIL ADJUSTING COLLAR            |                 |       |      | 1   |
| 27  | 11202306    | BUSHING, INTERMEDIATE           |                 |       |      | 1   |
| 28  | 11002904    | ROLLER FELT                     |                 |       |      | 1   |
| 29  | 11071362    | FLYWHEEL ASM.                   |                 |       |      | 1   |
| 30  | SS8151550SP | SCREW 15/64-28 L=15             |                 | *     |      | 2   |
| 31  | 22903009    | MAIN SHAFT                      |                 |       |      | 1   |
| 32  | 22903900    | ADJUSTING PIN                   |                 |       |      | 1   |
| 33  | RO029180100 | RUBBER RING                     |                 |       |      | 1   |
| 34  | 22910103    | THRUST COLLAR                   |                 |       |      | 1   |



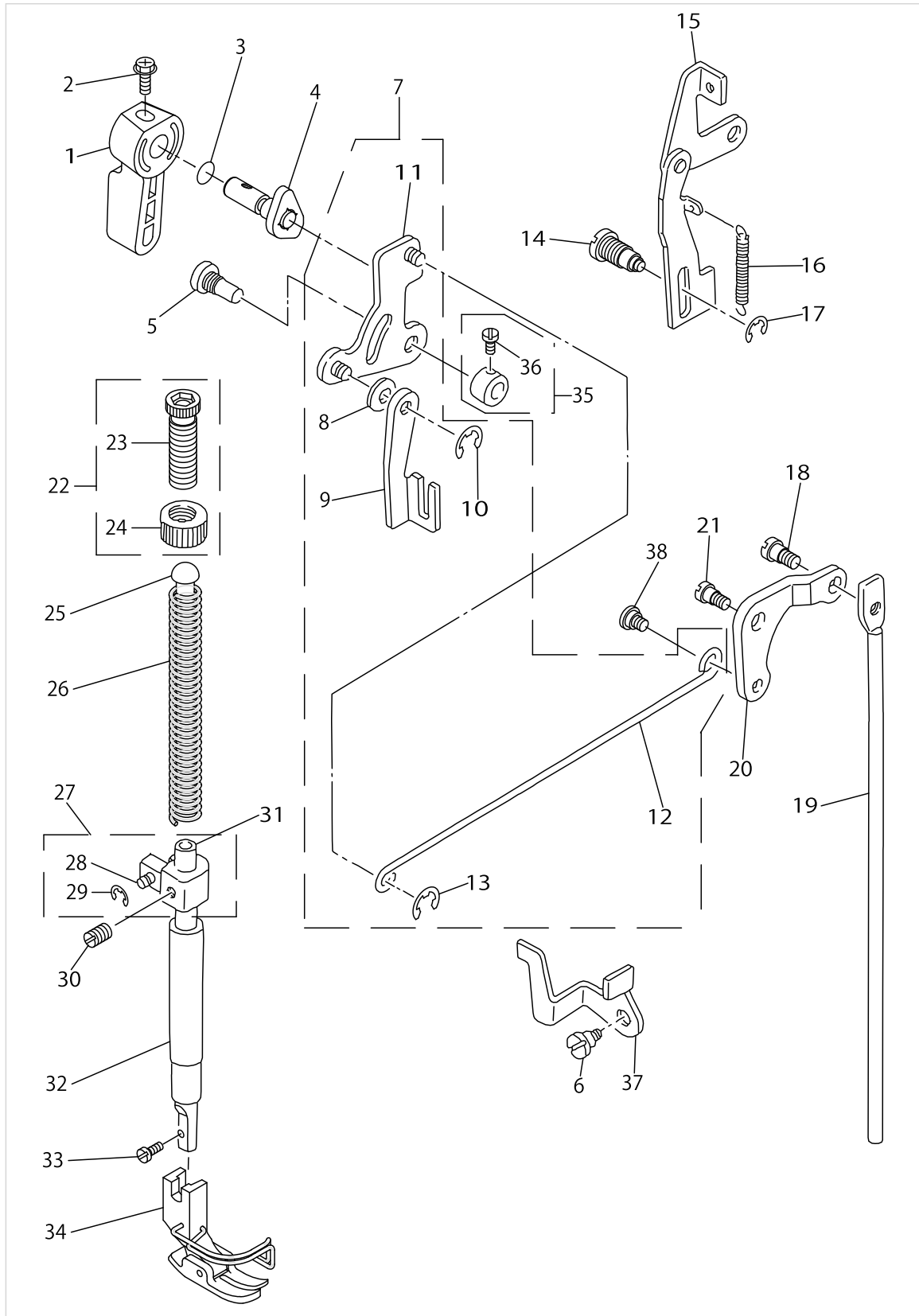
NEEDLE BAR, UPRIGHT SHAFT & HOOK DRIVING SHAFT COMPONENTS



NEEDLE BAR, UPRIGHT SHAFT & HOOK DRIVING SHAFT COMPONENTS

| No. | Parts No.   | Parts name                     | Remarks | Level | Cons | Qty |
|-----|-------------|--------------------------------|---------|-------|------|-----|
| 1   | TA1250804R0 | RUBBER PLUG                    |         |       |      | 1   |
| 2   | 11301009    | NEEDLE BAR, A                  |         |       |      | 1   |
| 3   | 11301108    | NEEDLE BAR, B                  | FOR JE  |       |      | 1   |
| 4   | 22906457    | NEEDLE BAR HOLDER ASM.         |         |       |      | 1   |
| 5   | SS6090670TP | SCREW 9/64-40 L=6              |         | *     |      | 1   |
| 6   | B1414226000 | SLIDE BLOCK                    |         |       |      | 1   |
| 7   | SS7080510TP | SCREW 1/8-44 L=4.5             |         |       |      | 1   |
| 8   | B1418552A00 | NEEDLE THREAD GUIDE A          |         |       |      | 1   |
| 9   | MDB100B1400 | NEEDLE DBX1 #14                |         |       |      | 1   |
| 10  | B13061550C0 | GEAR & PINION ASM.             |         |       |      | 1   |
| 11  | B13061550B0 | GEAR & PINION ASM., UPPER      |         | *     |      | 1   |
| 12  | B13050120A0 | GEAR ASM.                      |         | *     |      | 1   |
| 13  | SS8660810TP | SCREW 1/4-40 L=8               |         | *     |      | 2   |
| 14  | B13061550A0 | PINION ASM.                    |         | *     |      | 1   |
| 15  | SS8660810TP | SCREW 1/4-40 L=8               |         | *     |      | 2   |
| 16  | B13071550B0 | GEAR & PINION ASM., LOWER      |         | *     |      | 1   |
| 17  | B13071550A0 | GEAR ASM. LARGE                |         | *     |      | 1   |
| 18  | SS8660810TP | SCREW 1/4-40 L=8               |         | *     |      | 2   |
| 19  | B13081550A0 | PINION ASM.                    |         | *     |      | 1   |
| 20  | SS8660810TP | SCREW 1/4-40 L=8               |         | *     |      | 2   |
| 21  | 22905004    | UPRIGHT SHAFT                  |         |       |      | 1   |
| 22  | 22905103    | UPRIGHT SHAFT BUSHING, UPPER   |         |       |      | 1   |
| 23  | B18304150A0 | HOOK ASM.                      |         |       |      | 1   |
| 24  | 11004207    | UPRIGHT SHAFT BUSHING, LOWER   |         |       |      | 1   |
| 25  | 11015807    | BUSHING, REAR                  |         |       |      | 1   |
| 26  | 22932909    | BOBBIN                         |         |       |      | 1   |
| 27  | 22917157    | THRUST COLLAR ASM., REAR       |         |       |      | 1   |
| 28  | SS6110420TP | SCREW 11/64-40 L=4.8           |         | *     |      | 2   |
| 29  | 22916001    | HOOK DRIVING SHAFT             |         |       |      | 1   |
| 30  | 22916407    | BOBBIN CASE POSITIONING FINGER |         |       |      | 1   |
| 31  | SS4110915TP | SCREW 11/64-40 L=9             |         |       |      | 1   |
| 32  | 22916100    | HOOK DRIVING SHAFT BUSH, FRONT |         |       |      | 1   |
| 33  | B18370120A0 | BOBBIN CASE ASM.               |         |       |      | 1   |
| 34  | 22917058    | THRUST COLLAR ASM., FRONT      |         |       |      | 1   |
| 35  | SS8110410TP | SCREW 11/64-40 L= 3.5          |         | *     |      | 2   |
| 36  | 22916555    | OIL SEAL SCREW ASM.            |         |       |      | 1   |
| 37  | 11015906    | OIL WICK                       |         | *     |      | 1   |
| 38  | 22916506    | SET SCREW                      |         | *     |      | 1   |
| 39  | MC200500900 | NEEDLE 134 90                  | FOR JE  |       |      | 1   |
| 40  | SS4120915SP | SCREW 3/16-28 L=9              |         |       |      | 1   |

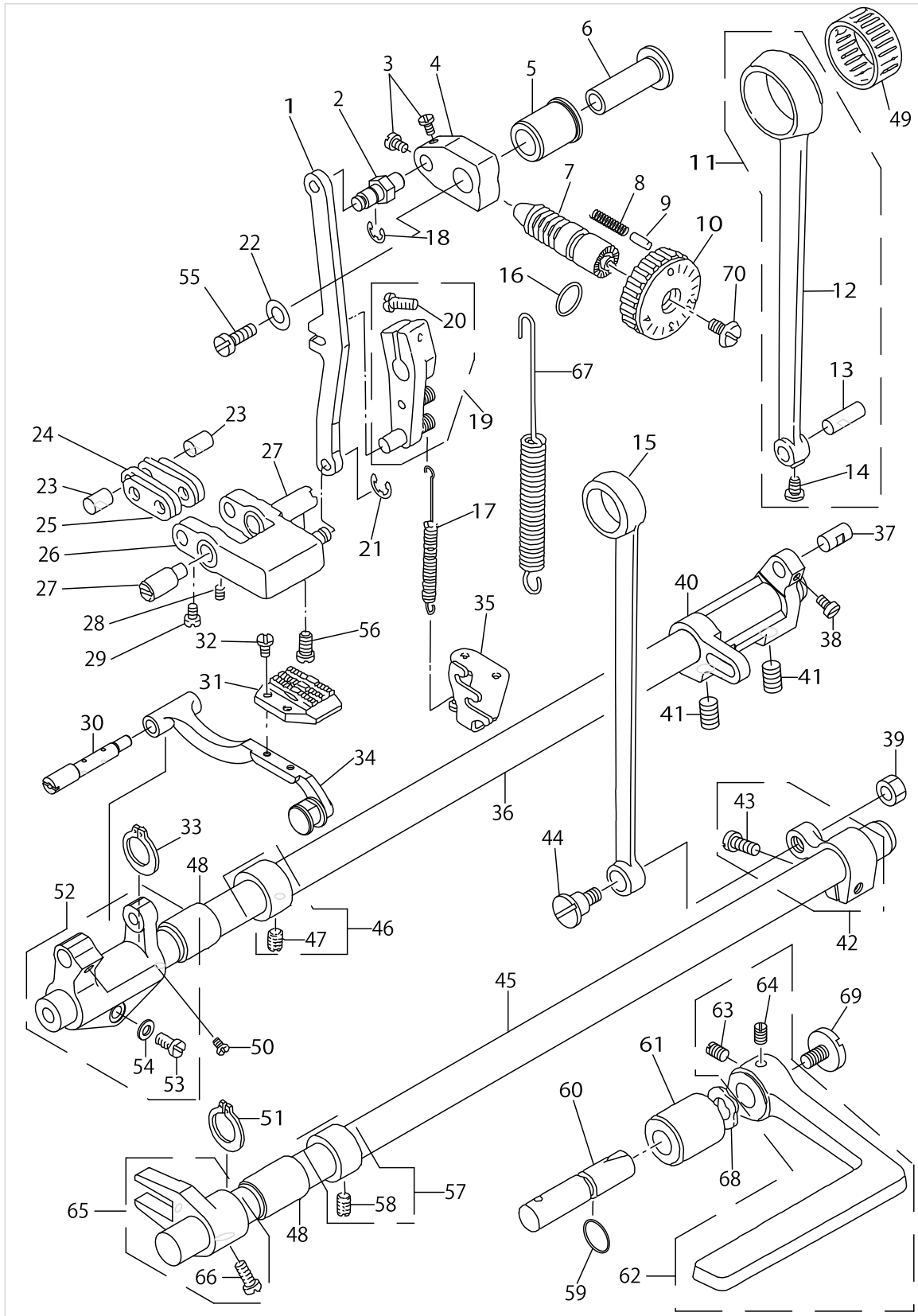
# HAND LIFTER COMPONENTS



HAND LIFTER COMPONENTS

| No. | Parts No.   | Parts name                    | Remarks | Level | Cons | Qty |
|-----|-------------|-------------------------------|---------|-------|------|-----|
| 1   | 22907802    | HAND LIFTER                   |         |       |      | 1   |
| 2   | B1521555000 | SCREW                         |         |       |      | 1   |
| 3   | RO037180100 | RUBBER RING                   |         |       |      | 1   |
| 4   | 22908552    | HAND LIFTER CAM ASM.          |         |       |      | 1   |
| 5   | 11301702    | LINK SHAFT                    |         |       |      | 1   |
| 6   | SD0640261SP | HINGE SCREW D=3.65 H=2.6      |         |       |      | 1   |
| 7   | 11301652    | LIFTING LEVER ASM.            |         |       |      | 1   |
| 8   | WP0650876SD | WASHER 6.5X13X0.8             |         | *     |      | 1   |
| 9   | 11301603    | LIFTING LEVER                 |         | *     |      | 1   |
| 10  | RE0500000K0 | E-RING                        |         | *     |      | 1   |
| 11  | 11006350    | HAND LIFTER LINK ASM.         |         | *     |      | 1   |
| 12  | 11006905    | LIFTING LEVER CONNECTING ROD  |         | *     |      | 1   |
| 13  | RE0500000K0 | E-RING                        |         | *     |      | 1   |
| 14  | 11306107    | TENSION RELEASE PLATE SHAFT   |         |       |      | 1   |
| 15  | 11305653    | TENSION RELEASE PLATE ASM.    |         |       |      | 1   |
| 16  | 11305901    | SPRING                        |         |       |      | 1   |
| 17  | RE0300000K0 | E-RING 3                      |         |       |      | 1   |
| 18  | SD0600322SD | HINGE SCREW D=6 H=3.2         |         |       |      | 1   |
| 19  | 11205408    | CONNECTING ROD                |         |       |      | 1   |
| 20  | 11205309    | LIFTING LEVER LINK            |         |       |      | 1   |
| 21  | SD0720331SP | HINGE SCREW D= 7.24 H= 3.3    |         |       |      | 1   |
| 22  | 22907554    | FEED REGULATOR SCREW NUT ASM. |         |       |      | 1   |
| 23  | 22907505    | PRESSER SPRING REGULATOR      |         | *     |      | 1   |
| 24  | 22907604    | PRESSER SPRING REGULATOR NUT  |         | *     |      | 1   |
| 25  | 22907703    | PRESSER GUIDE BAR             |         |       |      | 1   |
| 26  | 22907406    | PRESSER SPRING                |         |       |      | 1   |
| 27  | 11301355    | NEEDLE BAR GUIDE BRACKET ASM. |         |       |      | 1   |
| 28  | 11301405    | PIN                           |         | *     |      | 1   |
| 29  | RE0300000K0 | E-RING 3                      |         | *     |      | 2   |
| 30  | SS8660610TP | SCREW 1/4-40 L=6              |         |       |      | 1   |
| 31  | 40017805    | PRESSER BAR                   |         |       |      | 1   |
| 32  | 40060989    | PRESSER BAR BUSHING LOWER     |         |       |      | 1   |
| 33  | SS7091110TP | SCREW 9/64-40 L=10.5          |         |       |      | 1   |
| 34  | D1524415BBC | PRESSER FOOT ASM.             |         |       |      | 1   |
| 35  | CS064061ASP | THRUST COLLAR ASM.            |         |       |      | 1   |
| 36  | SS7090620TP | SCREW 9/64-40 L=6.1           |         | *     |      | 1   |
| 37  | 11305703    | TENSION RELEASE LINK, A       |         |       |      | 1   |
| 38  | 22908909    | HINGE SCREW                   |         |       |      | 1   |

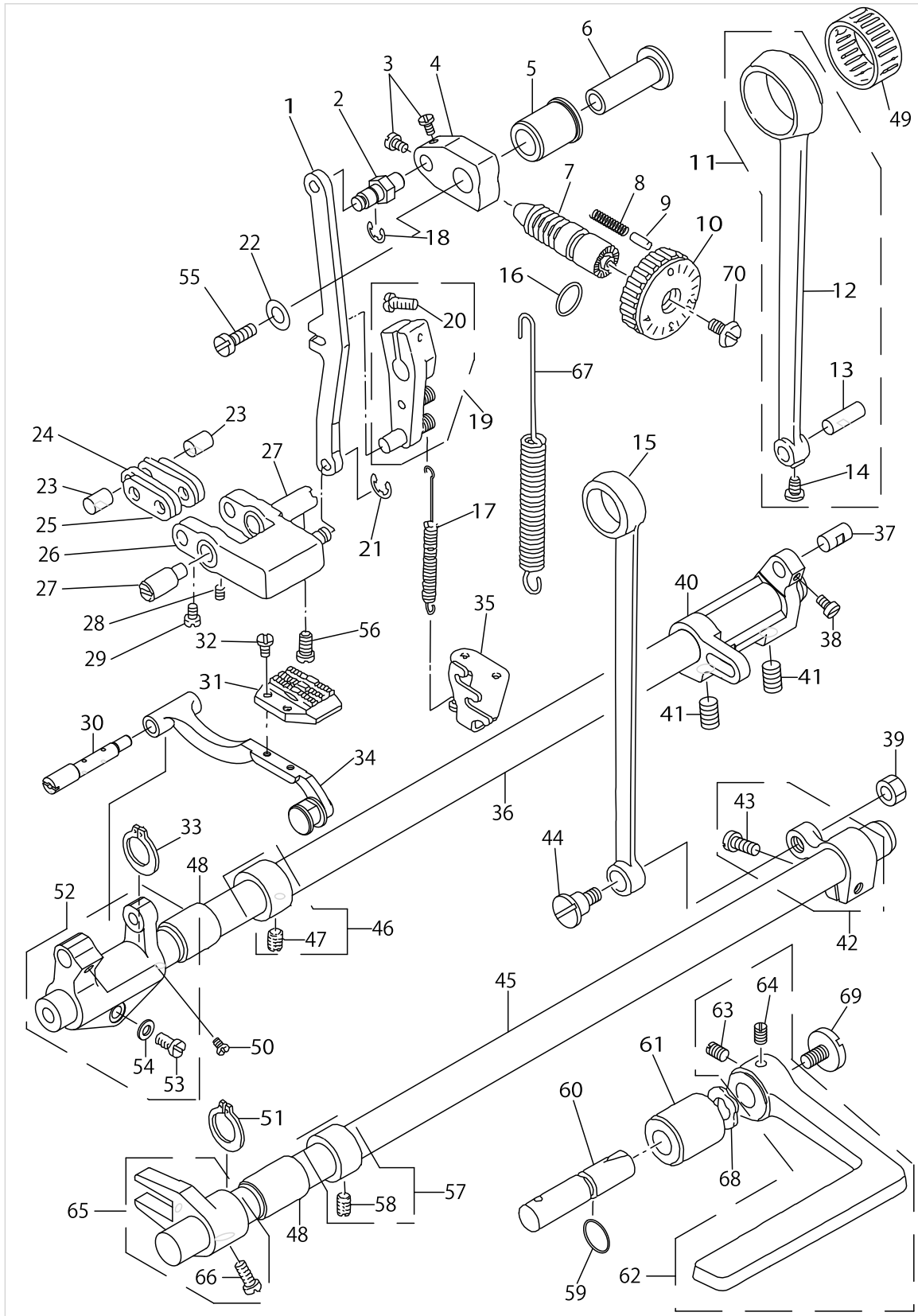
FEED MECHANISM COMPONENTS



FEED MECHANISM COMPONENTS

| No. | Parts No.   | Parts name                     | Remarks | Level | Cons | Qty |
|-----|-------------|--------------------------------|---------|-------|------|-----|
| 1   | 22971105    | FEED REGULATOR ROD             |         |       |      | 1   |
| 2   | 22971204    | FEED REGULATOR BASE PIN        |         |       |      | 1   |
| 3   | SS6090560TP | SCREW 9/64-40 L=4.5            |         |       |      | 2   |
| 4   | 11303328    | FEED REGULATOR BUSHING         |         |       |      | 1   |
| 5   | 22911705    | FEED REGULATOR BUSHING         |         |       |      | 1   |
| 6   | 11385127    | FEED REGULATOR SHAFT           |         |       |      | 1   |
| 7   | 22911804    | FEED REGULATOR SCREW           |         |       |      | 1   |
| 8   | 22912109    | FEED REGULATOR PIN SPRING      |         |       |      | 1   |
| 9   | 22912000    | FEED REGULATOR PIN             |         |       |      | 1   |
| 10  | 11326204    | FEED DIAL                      |         |       |      | 1   |
| 11  | 40081220    | ROCKERSHAFTCONNECTINGRODASM.   |         |       |      | 1   |
| 12  | 11302411    | ROCKER SHAFT CONNECTING ROD    |         | *     |      | 1   |
| 13  | 22911101    | WALKING FOOT PIN C             |         | *     |      | 1   |
| 14  | SS6090620TP | SCREW                          |         | *     |      | 1   |
| 15  | 22915003    | CONNECTING ROD                 |         |       |      | 1   |
| 16  | RO092270200 | RUBBER RING                    |         |       |      | 1   |
| 17  | 11305000    | SPRING                         |         |       |      | 1   |
| 18  | RE0500000K0 | E-RING                         |         |       |      | 1   |
| 19  | 22971550    | FEED LEVER ARM ASM.            |         |       |      | 1   |
| 20  | SS7121410TP | SCREW 3/16-28 L=14             |         | *     |      | 1   |
| 21  | RE0500000K0 | E-RING                         |         |       |      | 1   |
| 22  | WP0702026SP | WASHER 7X15X2                  |         |       |      | 1   |
| 23  | 22910905    | WALKING FOOT PIN A             |         |       |      | 2   |
| 24  | 22910707    | CONNECTING LINK B              |         |       |      | 2   |
| 25  | 22910608    | CONNECTING LINK A              |         |       |      | 2   |
| 26  | 11303161    | FEED ADJUST LINK ASM.          |         |       |      | 1   |
| 27  | 22910806    | ADJUST LINK FULCRUM SHAFT A    |         |       |      | 2   |
| 28  | SS8150710TP | SCREW 15/64-28 L=7             |         |       |      | 1   |
| 29  | SS6090620TP | SCREW                          |         |       |      | 2   |
| 30  | 22940803    | FEED BAR SHAFT                 |         |       |      | 1   |
| 31  | D1609415B00 | FEED DOG                       |         |       |      | 1   |
| 32  | SS4080620TP | SCREW 1/8-44 L=6               |         |       |      | 2   |
| 33  | RC0150001KP | RETAINING RING 13.8            |         |       |      | 1   |
| 34  | 22971857    | FEED BASE ASM.                 |         |       |      | 1   |
| 35  | 22970602    | FEED SPRING HOOK               |         |       |      | 1   |
| 36  | 22912901    | FEED ROCKER SHAFT              |         |       |      | 1   |
| 37  | 22911002    | WALKING FOOT PIN B             |         |       |      | 1   |
| 38  | SS6090620TP | SCREW                          |         |       |      | 1   |
| 39  | NS6680410SP | NUT 9/32-28                    |         |       |      | 1   |
| 40  | 11302502    | FEED ROCKER SHAFT CRANK        |         |       |      | 1   |
| 41  | SS8681130SP | SCREW 9/32-28 L=11             |         |       |      | 2   |
| 42  | 22915151    | FEED ARM COMPL.                |         |       |      | 1   |
| 43  | SS7121610SP | SCREW 3/16-28 L=15.5           |         | *     |      | 1   |
| 44  | SD1000801SH | HINGE SCREW D=10 H=8           |         |       |      | 1   |
| 45  | 22915201    | FEED DRIVING SHAFT             |         |       |      | 1   |
| 46  | CS147121ASH | THRUST COLLAR ASM.D=14.72 W=12 |         |       |      | 1   |
| 47  | SS8660610TP | SCREW 1/4-40 L=6               |         | *     |      | 2   |

FEED MECHANISM COMPONENTS

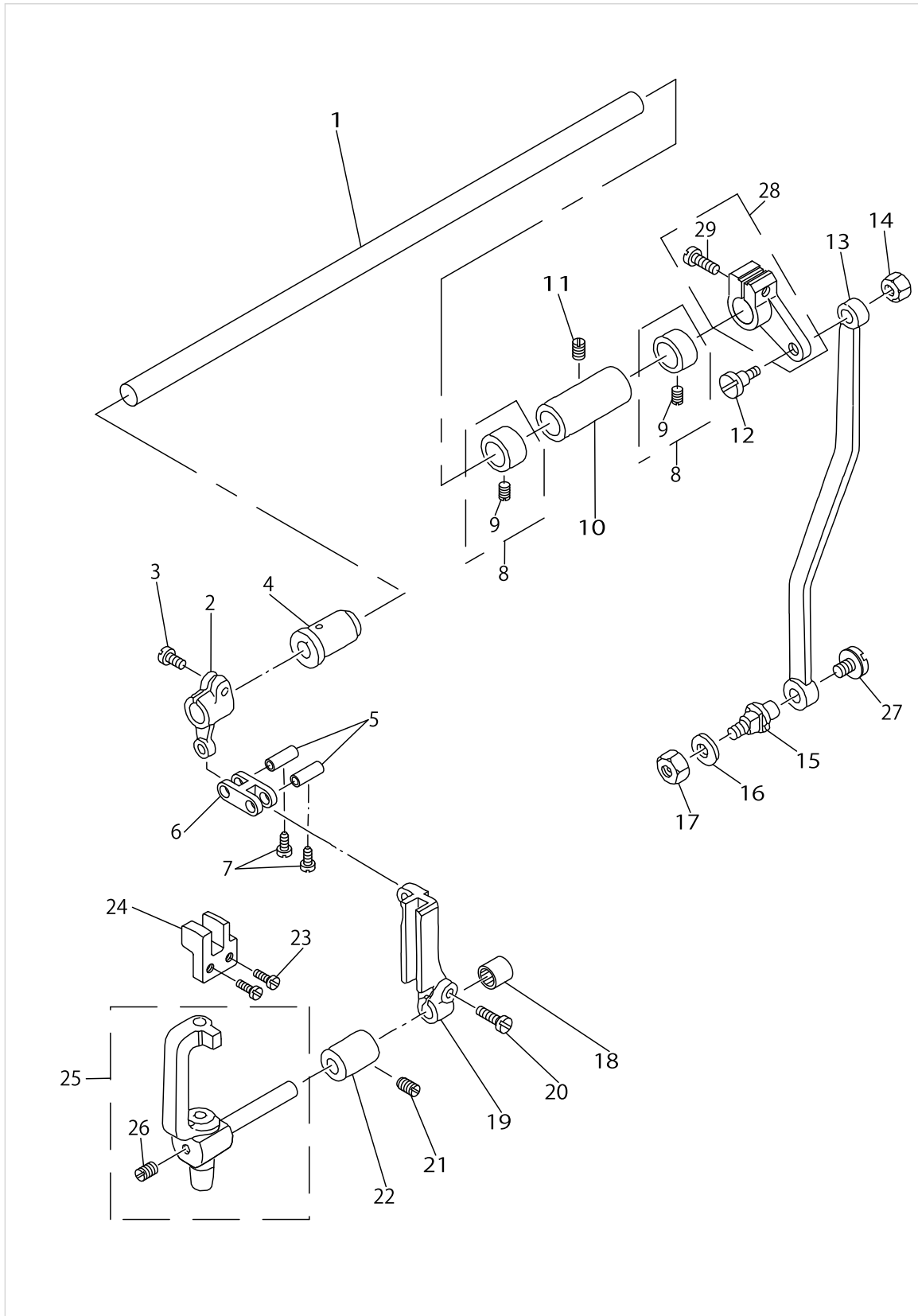


FEED MECHANISM COMPONENTS

| No. | Parts No.   | Parts name                     | Remarks         | Level | Cons | Qty |
|-----|-------------|--------------------------------|-----------------|-------|------|-----|
| 48  | 22913008    | FEED ROCKER SHAFT BUSHING      |                 |       |      | 2   |
| 49  | B1636581C00 | NEEDLE BEARING                 | SELECTIVE PARTS |       |      | 1   |
| 50  | SS7110740TP | SCREW 11/64-40 L=7             |                 |       |      | 1   |
| 51  | RC0150001KP | RETAINING RING 13.8            |                 |       |      | 1   |
| 52  | 22940654    | FEED ROCKER ASM.               |                 |       |      | 1   |
| 53  | SS7121410TP | SCREW 3/16-28 L=14             |                 | *     |      | 1   |
| 54  | WP0480856SP | WASHER 4.8X8.4X0.8             |                 | *     |      | 1   |
| 55  | SS9661120CP | SCREW 1/4-40 L=10.5            |                 |       |      | 1   |
| 56  | SS6151220SP | SCREW 15/64-28 L=11.5          |                 |       |      | 1   |
| 57  | CS147121ASH | THRUST COLLAR ASM.D=14.72 W=12 |                 |       |      | 1   |
| 58  | SS8660610TP | SCREW 1/4-40 L=6               |                 | *     |      | 2   |
| 59  | RO078190100 | RUBBER RING                    |                 |       |      | 1   |
| 60  | 22967202    | FEED REVERSE SHAFT             |                 |       |      | 1   |
| 61  | 22912802    | FEED LEVER SHAFT BUSHING       |                 |       |      | 1   |
| 62  | 22912752    | FEED LEVER ASM.                |                 |       |      | 1   |
| 63  | SS8661030SP | SCREW 1/4-40 L=10              |                 | *     |      | 1   |
| 64  | SS8661040TP | SCREW 1/4-40 L=10              |                 | *     |      | 1   |
| 65  | 22915359    | DRIVING SHAFT CRANK ASM.       |                 |       |      | 1   |
| 66  | SS7111120SP | SCREW 11/64-40 L=10.5          |                 | *     |      | 1   |
| 67  | 11302619    | SPRING                         |                 |       |      | 1   |
| 68  | WZ1250300K0 | WAVED WASHER 12.5X17X0.3       |                 |       |      | 1   |
| 69  | SS7620750SP | SCREW 3/16-32 L= 6.5           |                 |       |      | 1   |
| 70  | SS6121860SP | SCREW 3/16-28 L=18             |                 |       |      | 1   |



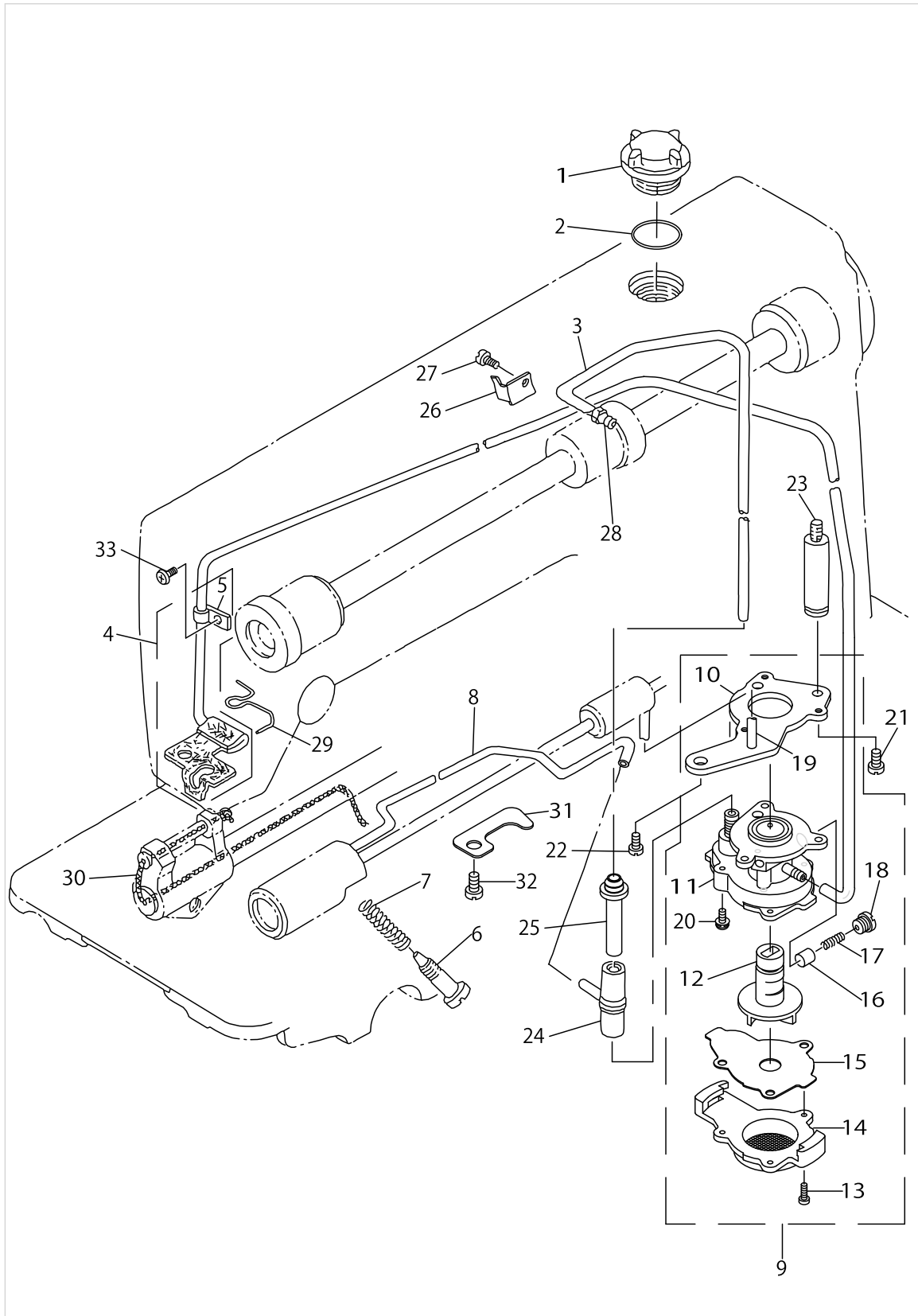
# NEEDLE BAR FRAME COMPONENTS



NEEDLE BAR FRAME COMPONENTS

| No. | Parts No.   | Parts name                   | Remarks        | Level | Cons | Qty |
|-----|-------------|------------------------------|----------------|-------|------|-----|
| 1   | 11304409    | CONNECTING SHAFT             |                |       |      | 1   |
| 2   | 11304003    | DRIVING CRANK, FRONT         |                |       |      | 1   |
| 3   | SS6121220TP | SCREW 3/16-28 L=11.5         |                |       |      | 1   |
| 4   | 11211000    | ROCK SHAFT BUSHING, FRONT    |                |       |      | 1   |
| 5   | B1412352B00 | NEEDLE BAR LINK PIN          | SELECTIVE PART |       |      | 2   |
| 6   | B2906415000 | DRIVING LINK                 |                |       |      | 1   |
| 7   | SS6090660TP | SCREW 9/64-40 L=6            |                |       |      | 2   |
| 8   | CS120101BSH | THRUST COLLAR ASM.           |                |       |      | 2   |
| 9   | SS8660410SP | SCREW 1/4-40 L= 4.2          |                | *     |      | 4   |
| 10  | 11210903    | ROCK SHAFT BUSHING, REAR     |                |       |      | 1   |
| 11  | SS8120740SP | SCREW 3/16-28 L=7            |                |       |      | 1   |
| 12  | SD0790501SP | HINGE SCREW D=7.94 H=5       |                |       |      | 1   |
| 13  | 11304201    | CONNECTING ROD               |                |       |      | 1   |
| 14  | NS6150310SP | NUT 15/64-28                 |                |       |      | 1   |
| 15  | 11304300    | CONNECTING ROD SHAFT         |                |       |      | 1   |
| 16  | WP0621016SD | WASHER 6.2X13X1              |                |       |      | 1   |
| 17  | NS6150430SP | NUT 15/64-28                 |                |       |      | 1   |
| 18  | SB309000400 | BEARING                      |                |       |      | 1   |
| 19  | 11303807    | SLIDE BLOCK GUIDE            |                |       |      | 1   |
| 20  | SS6121610SP | SCREW 3/16-28 L=15.5         |                |       |      | 1   |
| 21  | SS8120740SP | SCREW 3/16-28 L=7            |                |       |      | 1   |
| 22  | 11214509    | BUSHING                      |                |       |      | 1   |
| 23  | SS6090810TP | SCREW 9/64-40 L=7.5          |                |       |      | 2   |
| 24  | 11303906    | NEEDLE BAR FRAME GUIDE       |                |       |      | 1   |
| 25  | 11303567    | NEEDLE ROD ROCKING BASE ASM. |                |       |      | 1   |
| 26  | SS8110310SP | SCREW 11/64-40 L= 2.8        |                | *     |      | 1   |
| 27  | SS6110640SP | SCREW 11/64-40 L=6           |                |       |      | 1   |
| 28  | 11304151    | SHAFT ARM ASM. (REAR)        |                |       |      | 1   |
| 29  | SS7121410SP | SCREW 3/16-28 L=14           |                | *     |      | 1   |

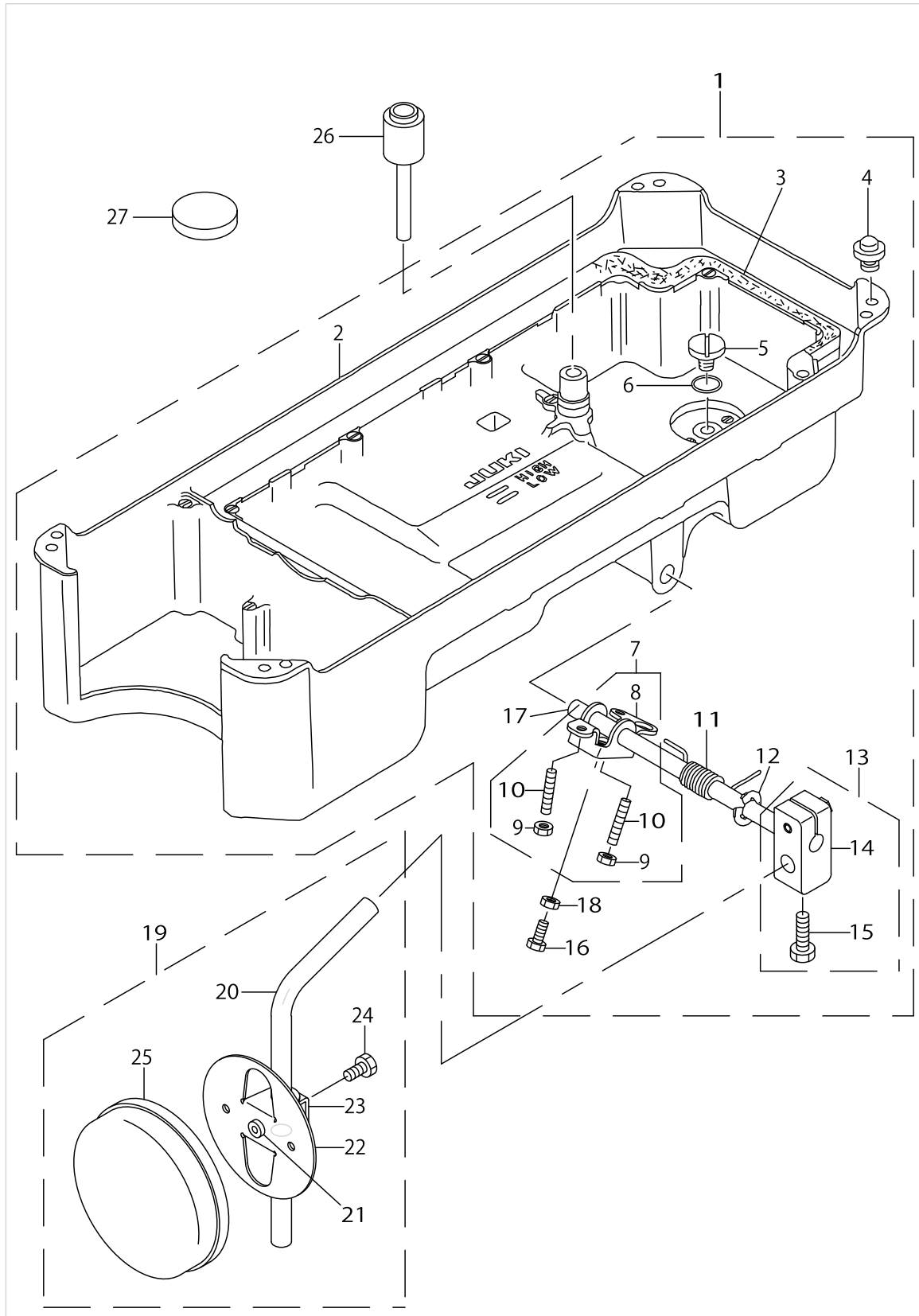
OIL LUBRICATION COMPONENTS



OIL LUBRICATION COMPONENTS

| No. | Parts No.   | Parts name                     | Remarks | Level | Cons | Qty  |
|-----|-------------|--------------------------------|---------|-------|------|------|
| 1   | 22924708    | OIL SIGHT WINDOW               |         |       |      | 1    |
| 2   | RO195240100 | RUBBER RING                    |         |       |      | 1    |
| 3   | BT0600402EA | OIL TUBE                       |         |       |      | 0.27 |
| 4   | 11307154    | OIL RETURN TUBE ASM.           |         |       |      | 1    |
| 5   | B3536122000 | HOLDER                         |         | *     |      | 1    |
| 6   | 22925002    | OIL REGULATOR SCREW            |         |       |      | 1    |
| 7   | 22924906    | OIL REGULATOR SCREW SPRING     |         |       |      | 1    |
| 8   | 11307352    | OIL WICK ASM.                  |         |       |      | 1    |
| 9   | 22923056    | OIL PUMP ASM.                  |         |       |      | 1    |
| 10  | 22923304    | PUMP BODY INSTALLING PLATE     |         | *     |      | 1    |
| 11  | 22923007    | PUMP BODY                      |         | *     |      | 1    |
| 12  | 22923700    | IMPELLER                       |         | *     |      | 1    |
| 13  | SE4301041SR | SCREW D=3 L=10                 |         | *     |      | 3    |
| 14  | 22923205    | PUMP BODY COVER                |         | *     |      | 1    |
| 15  | 22923809    | PUMP BODY SUPPORT PLATE        |         | *     |      | 1    |
| 16  | 22923403    | PLUNGER                        |         | *     |      | 1    |
| 17  | 22923601    | PLUNGER SPRING                 |         | *     |      | 1    |
| 18  | 22923502    | PLUNGER SCREW                  |         | *     |      | 1    |
| 19  | 22923908    | HOOK DRIVING SHAFT OILING PIPE |         | *     |      | 1    |
| 20  | SL4030851SF | SCREW M3 L=8                   |         | *     |      | 3    |
| 21  | SS6111010TP | SCREW 11/64-40 L= 9.5          |         |       |      | 1    |
| 22  | SS4150915SP | SCREW 15/64-28 L=9             |         |       |      | 1    |
| 23  | 22924005    | PUMP BODY STRUT                |         |       |      | 1    |
| 24  | 22924609    | RUBBER JOINT                   |         |       |      | 1    |
| 25  | 11221504    | OIL TUBE JOINT                 |         |       |      | 1    |
| 26  | 11222007    | HOLDER                         |         |       |      | 1    |
| 27  | SS6080340SP | SCREW 1/8-44 L=2.9             |         |       |      | 1    |
| 28  | SQ1150501SD | CONNECTING SCREW               |         |       |      | 1    |
| 29  | 11307006    | OIL FELT PRESSER               |         |       |      | 1    |
| 30  | CQ252000000 | OIL WICK                       |         |       |      | 0.3  |
| 31  | 22924807    | PIPE HOLDER, LOWER             |         |       |      | 1    |
| 32  | SS4120615SP | SCREW 3/16-28 L=6              |         |       |      | 1    |
| 33  | SS4120615SP | SCREW 3/16-28 L=6              |         |       |      | 1    |

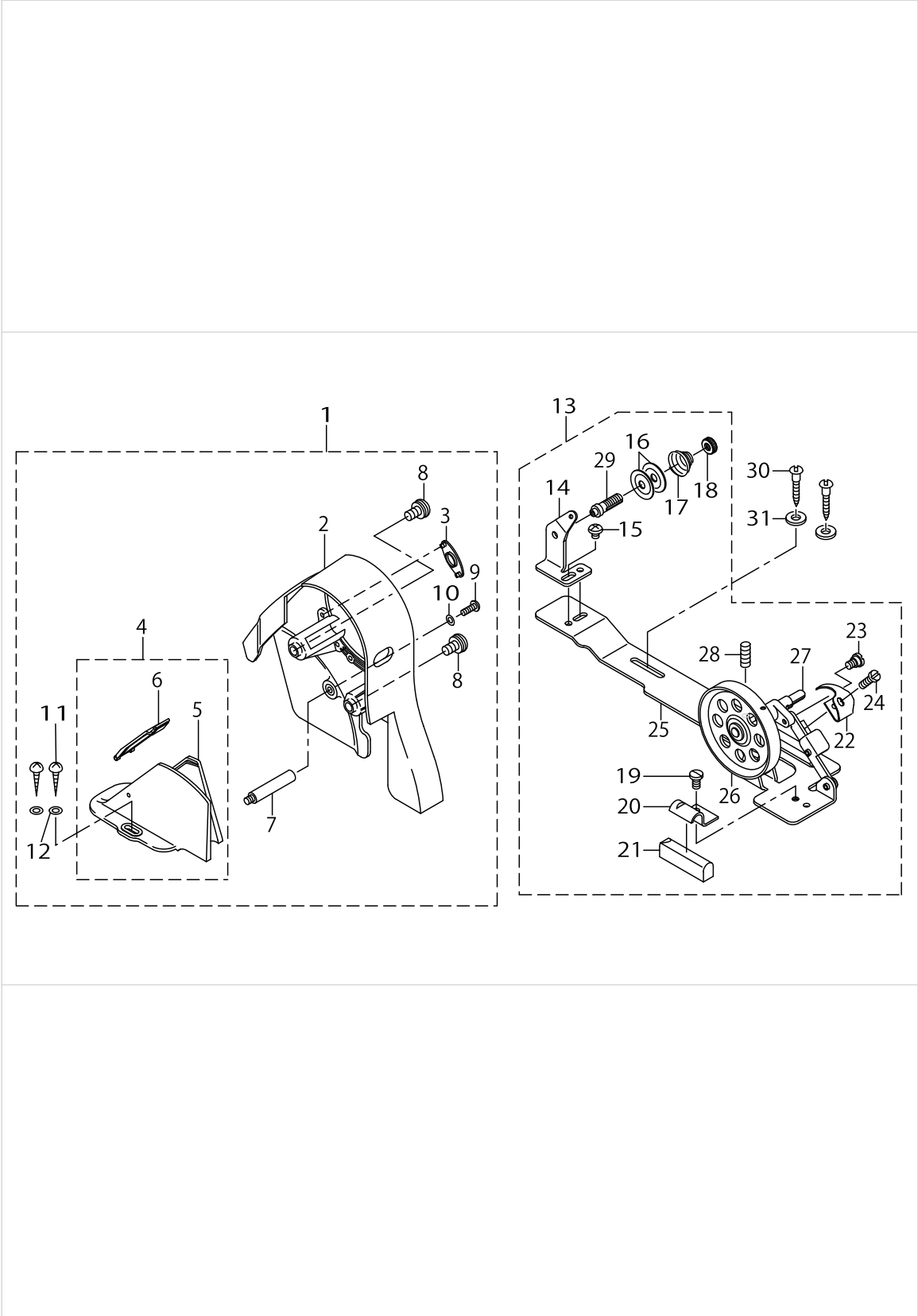
OIL RESERVOIR COMPONENTS



OIL RESERVOIR COMPONENTS

| No. | Parts No.   | Parts name                    | Remarks | Level | Cons | Qty |
|-----|-------------|-------------------------------|---------|-------|------|-----|
| 1   | 11047057    | OIL RESERVOIR ASM.            |         |       |      | 1   |
| 2   | 11023017    | OIL RESERVOIR                 |         | *     |      | 1   |
| 3   | 11024700    | GASKET                        |         | *     |      | 1   |
| 4   | 11047107    | RUBBER CUSHION                |         | *     |      | 4   |
| 5   | SS6700710SH | SCREW 5/16-24 L=7             |         | *     |      | 1   |
| 6   | RO098240100 | RUBBER RING                   |         | *     |      | 1   |
| 7   | 22932156    | KNEE LIFTER ROTATION ARM ASM. |         | *     |      | 1   |
| 8   | 22932107    | KNEE LIFTER ROTATION ARM      |         | *     |      | 1   |
| 9   | NM6060001SE | NUT M6                        |         | *     |      | 2   |
| 10  | SM8063012TR | SCREW M6 L=30                 |         | *     |      | 2   |
| 11  | 22932206    | SPRING                        |         | *     |      | 1   |
| 12  | RE1000000K0 | E-RING 10                     |         | *     |      | 1   |
| 13  | 22932453    | BRACKET ASM.                  |         | *     |      | 1   |
| 14  | 22932404    | BRACKET                       |         | *     |      | 1   |
| 15  | 22934707    | BRACKET SCREW                 |         | *     |      | 2   |
| 16  | SM9062563TR | SCREW M6 L=25                 |         | *     |      | 1   |
| 17  | 22932305    | KNEE PRESS CROSS SHAFT        |         | *     |      | 1   |
| 18  | NM6060001SE | NUT M6                        |         | *     |      | 1   |
| 19  | 22934251    | KNEE PAD PLATE ASM.           |         |       |      | 1   |
| 20  | 22934608    | KNEE PAD UPRIGHT SHAFT        |         | *     |      | 1   |
| 21  | 22934400    | KNEE PAD PLATE RUBBER         |         | *     |      | 1   |
| 22  | 22934202    | KNEE PAD PLATE                |         | *     |      | 1   |
| 23  | 22934301    | KNEE PAD PLATE SUPPORT        |         | *     |      | 1   |
| 24  | SM9061203SE | SCREW M6 L=12                 |         | *     |      | 1   |
| 25  | 22934509    | KNEE PAD PLATE COVER          |         | *     |      | 1   |
| 26  | 11024304    | KNEE PRESS LIFTER ROD         |         |       |      | 1   |
| 27  | B8228125000 | OIL RESERVOIR MAGNET          |         |       |      | 1   |

BELT COVER & BOBBIN WINDER COMPONENTS

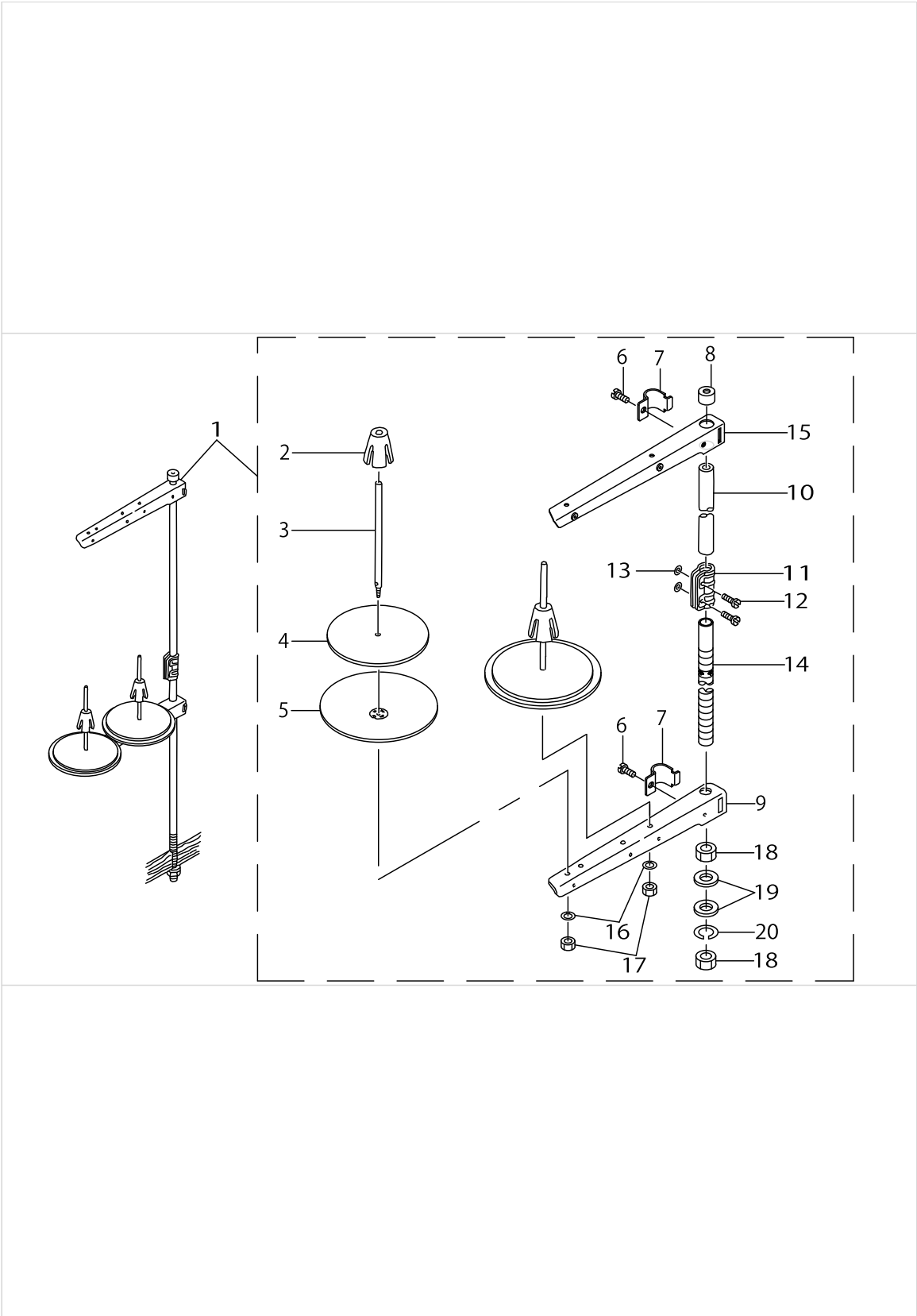


BELT COVER & BOBBIN WINDER COMPONENTS

| No. | Parts No.   | Parts name                   | Remarks | Level | Cons | Qty |
|-----|-------------|------------------------------|---------|-------|------|-----|
| 1   | 22933451    | BELT COVER ASM.              |         |       |      | 1   |
| 2   | 22933402    | BELT COVER A                 |         | *     |      | 1   |
| 3   | 22933501    | BELT COVER A CAP             |         | *     |      | 1   |
| 4   | 22933659    | BELT COVER B COMPL.          |         | *     |      | 1   |
| 5   | 22933600    | BELT COVER B                 |         | *     |      | 1   |
| 6   | 22933758    | BELT COVER B LID ASM.        |         | *     |      | 1   |
| 7   | 22933907    | BELT COVER STRUT             |         | *     |      | 1   |
| 8   | 22934004    | SET SCREW                    |         | *     |      | 2   |
| 9   | SS4121415SP | SCREW 3/16-28 L=14           |         | *     |      | 1   |
| 10  | WP0501016SD | WASHER 5X10.5X1              |         | *     |      | 1   |
| 11  | SK3412000SC | WOOD SCREW D=4.1 L=20        |         | *     |      | 2   |
| 12  | WP0450826SC | WASHER 4.5X10X0.8            |         | *     |      | 2   |
| 13  | 22927354    | BOBBIN WINDER COMPL.         |         |       |      | 1   |
| 14  | 22928501    | THREAD TENSION POST BASE     |         | *     |      | 1   |
| 15  | SS4110515SP | SCREW 11/64-40 L=5           |         | *     |      | 1   |
| 16  | 22928907    | THREAD TENSION DISK          |         | *     |      | 2   |
| 17  | 22929004    | THREAD TENSION SPRING        |         | *     |      | 1   |
| 18  | 22928808    | NUT                          |         | *     |      | 1   |
| 19  | SS7110350SP | SCREW 11/64-40 L=3.5         |         | *     |      | 1   |
| 20  | 22928402    | CONTROL RUBBER HOLDING PLATE |         | *     |      | 1   |
| 21  | 22928303    | CONTROL RUBBER               |         | *     |      | 1   |
| 22  | 22928105    | BOBBIN PRESSER               |         | *     |      | 1   |
| 23  | SD0490261SP | HINGE SCREW D=4.9 H=2.6      |         | *     |      | 1   |
| 24  | SS7081310SP | SCREW 1/8-44 L=12.5          |         | *     |      | 1   |
| 25  | 22927305    | BOBBIN WINDER BASE           |         | *     |      | 1   |
| 26  | 22927404    | BOBBIN WINDER                |         | *     |      | 1   |
| 27  | 22927602    | BOBBIN WINDER SPINDLE        |         | *     |      | 1   |
| 28  | SS8110510SP | SCREW 11/64-40 L=5           |         | *     |      | 1   |
| 29  | 22928709    | THREAD TENSION POST          |         | *     |      | 1   |
| 30  | SK3412000SC | WOOD SCREW D=4.1 L=20        |         |       |      | 2   |
| 31  | WP0450826SC | WASHER 4.5X10X0.8            |         |       |      | 2   |



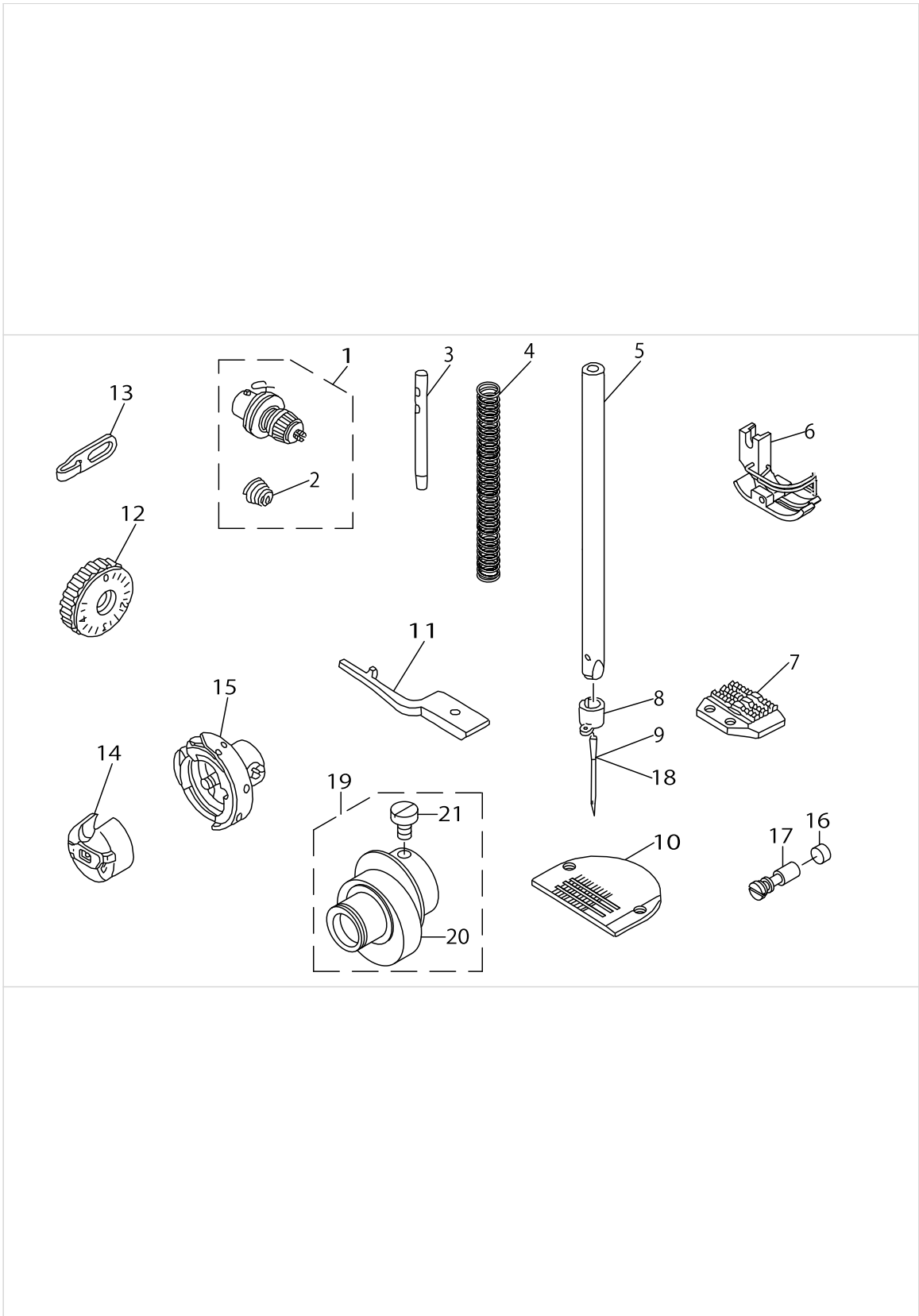
THREAD STAND COMPONENTS



THREAD STAND COMPONENTS

| No. | Parts No.   | Parts name                | Remarks | Level | Cons | Qty |
|-----|-------------|---------------------------|---------|-------|------|-----|
| 1   | 22930358    | THREAD STAND ASM.         |         |       |      | 1   |
| 2   | 22931109    | SPOOL RETAINER            |         | *     |      | 2   |
| 3   | 22931000    | SPOOL PIN                 |         | *     |      | 2   |
| 4   | 22930903    | SPOOL REST CUSHION        |         | *     |      | 2   |
| 5   | 22930804    | SPOOL REST                |         | *     |      | 2   |
| 6   | SM6061610SC | SCREW M6 L=16             |         | *     |      | 2   |
| 7   | 22930705    | THREAD GUIDE ARM JOINT    |         | *     |      | 2   |
| 8   | 22931406    | SPOOL REST ROD RUBBER CAP |         | *     |      | 1   |
| 9   | 22930507    | SPOOL REST ARM            |         | *     |      | 1   |
| 10  | 22930408    | SPOOL REST ROD, UPPER     |         | *     |      | 1   |
| 11  | 22931307    | SPOOL REST ROD JOINT      |         | *     |      | 1   |
| 12  | SM4051405SE | SCREW M5 L=14             |         | *     |      | 2   |
| 13  | NM6050001SE | NUT M5                    |         | *     |      | 2   |
| 14  | 22930309    | SPOOL REST ROD, LOWER     |         | *     |      | 1   |
| 15  | 22930556    | THREAD STANDING ARM ASM.  |         | *     |      | 1   |
| 16  | WS0510002KN | SPRING WASHER             |         | *     |      | 2   |
| 17  | NM6050001SE | NUT M5                    |         | *     |      | 2   |
| 18  | NM6160511SE | NUT M16X1.5               |         | *     |      | 2   |
| 19  | WP1612616SE | WASHER 16.1X30X2.6        |         | *     |      | 2   |
| 20  | WS1643202KR | SPRING WASHER             |         | *     |      | 1   |

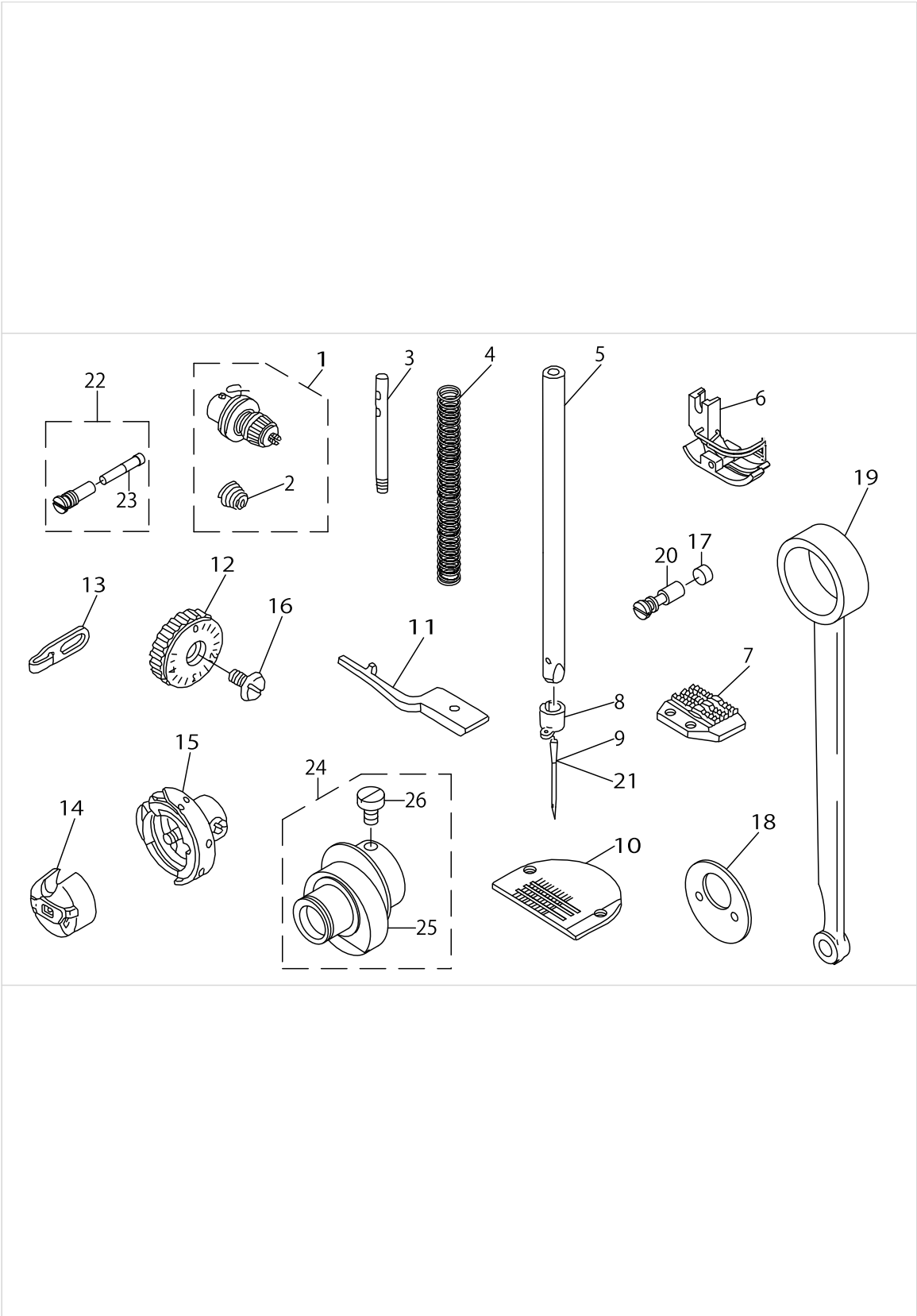
EXCLUSIVE PARTS FOR DLN-5410NH



EXCLUSIVE PARTS FOR DLN-5410NH

| No. | Parts No.    | Parts name                | Remarks | Level | Cons | Qty |
|-----|--------------|---------------------------|---------|-------|------|-----|
| 1   | 22962054     | THREAD TENSION ASM.       |         |       |      | 1   |
| 2   | 22962055     | THREAD TENSION SPRING     |         | *     |      | 1   |
| 3   | 22958300     | THREAD GUIDE PIN          |         |       |      | 1   |
| 4   | B1505552000A | PRESSER SPRING            |         |       |      | 1   |
| 5   | 11320801     | NEEDLE BAR                |         |       |      | 1   |
| 6   | B1524041EB0  | PRESSER FOOT ASM.         |         |       |      | 1   |
| 7   | 11322203     | FEED DOG, H               |         |       |      | 1   |
| 8   | B1418415H00  | NEEDLE BAR THREAD GUIDE   |         |       |      | 1   |
| 9   | MDB100B2100  | NEEDLE DBX1 #21           |         |       |      | 1   |
| 10  | B1109415H0B  | THROAT PLATE (H)          |         |       |      | 1   |
| 11  | 11091709     | POSITIONING FINGER        |         |       |      | 1   |
| 12  | 11326303     | FEED DIAL                 |         |       |      | 1   |
| 13  | 11091006     | ARM THREAD GUIDE (HA)     |         |       |      | 1   |
| 14  | 11038759     | BOBBIN CASE ASM.          |         |       |      | 1   |
| 15  | 11321452     | LUBRICATING HOOK ASM.     |         |       |      | 1   |
| 16  | B1226552000  | ROLLER FELT               |         |       |      | 1   |
| 17  | B1213552000A | OIL ADJUSTING PIN         |         |       |      | 1   |
| 18  | MC200501400  | NEEDLE 134 140            | FOR JE  |       |      | 1   |
| 19  | 11322450     | FEED ECCENTRIC CAM H ASM. |         |       |      | 1   |
| 20  | 11322401     | FEED ECCENTRIC CAM H      |         | *     |      | 1   |
| 21  | SS6661110SP  | SCREW 1/4-40 L=11         |         | *     |      | 2   |

EXCLUSIVE PARTS FOR DLN-5410NL



EXCLUSIVE PARTS FOR DLN-5410NL

| No. | Parts No.    | Parts name                    | Remarks | Level | Cons | Qty |
|-----|--------------|-------------------------------|---------|-------|------|-----|
| 1   | 22962054     | THREAD TENSION ASM.           |         |       |      | 1   |
| 2   | 22962005     | THREAD TENSION SPRING         |         | *     |      | 1   |
| 3   | B1114012000  | THREAD GUIDE PIN              |         |       |      | 1   |
| 4   | B1505552000A | PRESSER SPRING                |         |       |      | 1   |
| 5   | 11320801     | NEEDLE BAR                    |         |       |      | 1   |
| 6   | B1524041EB0  | PRESSER FOOT ASM.             |         |       |      | 1   |
| 7   | 11322203     | FEED DOG, H                   |         |       |      | 1   |
| 8   | B1418415H00  | NEEDLE BAR THREAD GUIDE       |         |       |      | 1   |
| 9   | MDB100B2100  | NEEDLE DBX1 #21               |         |       |      | 1   |
| 10  | B1109415H0B  | THROAT PLATE (H)              |         |       |      | 1   |
| 11  | 11091709     | POSITIONING FINGER            |         |       |      | 1   |
| 12  | 11326451     | FEED DIAL ASM.                |         |       |      | 1   |
| 13  | 11091006     | ARM THREAD GUIDE (HA)         |         |       |      | 1   |
| 14  | D1837415DAL  | BOBBIN CASE ASM.              |         |       |      | 1   |
| 15  | 11321452     | LUBRICATING HOOK ASM.         |         |       |      | 1   |
| 16  | SS6121050SP  | SCREW 3/16-28 L= 9.5          |         |       |      | 1   |
| 17  | B1226552000  | ROLLER FELT                   |         |       |      | 1   |
| 18  | 11324209     | THRUST COLLAR                 |         |       |      | 1   |
| 19  | 11324100     | ROCKER SHAFT CONNECTING ROD   |         |       |      | 1   |
| 20  | B1213552000A | OIL ADJUSTING PIN             |         |       |      | 1   |
| 21  | MC200501400  | NEEDLE 134 140                | FOR JE  |       |      | 1   |
| 22  | 11404753     | OIL SEAL SCREW                |         |       |      | 1   |
| 23  | 11404704     | OIL WICK                      |         | *     |      | 1   |
| 24  | 11324050     | FEED DRIVE ECCENTRIC CAM ASM. |         |       |      | 1   |
| 25  | 11324001     | FEED DRIVE ECCENTRIC CAM      |         | *     |      | 1   |
| 26  | SS6661110SP  | SCREW 1/4-40 L=11             |         | *     |      | 2   |

LIST FOR INFORMATION OF CHANGE

As to the place changed, refer to the corresponding Rev.No.  
 When previous parts(Obsoleted part)and new parts(Added parts)are  
 not interchangeable with each other:  
 In this case,even obsoleted parts(D.)can be ordered with the  
 obsoleted part number,so select the parts with changed dates and  
 place your orders.

変更箇所は、該当Rev.No.版をご参照ください。  
 部品の互換性がない変更の場合は、削除された品番でも、ご注文できます。

29135605  
 No.0904-07 Rev.No.

\*A:Added parts追加部品/D:Obsoleted parts削除部品/E:Erratum訂正

| * Rev. No. | Page 頁 | Ref. No. | Parts No. 品番  | * Rev. No. | Page 頁 | Ref. No. | Parts No. 品番  |
|------------|--------|----------|---------------|------------|--------|----------|---------------|
| D 06       | 2      | 47       | 113-05513     | A 07       | 2      | 47       | 229-72608     |
| D 06       | 6      | 27       | CS-079101A-SH | A 07       | 6      | 27       | 229-17157     |
| D 06       | 6      | 34       | CS-079073A-SH | A 07       | 6      | 34       | 229-17058     |
| D 06       | 10     | 1        | 113-02106     | A 07       | 10     | 1        | 229-71105     |
| D 06       | 10     | 5        | 110-11509     | A 07       | 10     | 5        | 229-11705     |
|            |        |          |               | A 07       | 10     | 11       | 400-81220     |
| D 06       | 10     | 15       | 110-14008     | A 07       | 10     | 15       | 229-15003     |
| D 06       | 10     | 24       | 113-03005     | A 07       | 10     | 24       | 229-10707     |
| D 06       | 10     | 25       | 113-02908     | A 07       | 10     | 25       | 229-10608     |
| D 06       | 10     | 61       | 110-10709     | A 07       | 10     | 61       | 229-12802     |
| D 06       | 17     | 1        | 110-76650     | A 07       | 17     | 1        | 229-33451     |
| D 06       | 17     | 2        | 110-76601     | A 07       | 17     | 2        | 229-33402     |
| D 06       | 17     | 3        | 110-76700     | A 07       | 17     | 3        | 229-33501     |
| D 06       | 17     | 4        | 110-76858     | A 07       | 17     | 4        | 229-33659     |
| D 06       | 17     | 5        | 110-76809     | A 07       | 17     | 5        | 229-33600     |
| D 06       | 17     | 6        | 110-76957     | A 07       | 17     | 6        | 229-33758     |
| D 06       | 17     | 7        | 110-23504     | A 07       | 17     | 7        | 229-33907     |
| D 06       | 17     | 8        | 110-25202     | A 07       | 17     | 8        | 229-34004     |
| D 06       | 18     | 15       | 229-31208     |            |        |          |               |
|            |        |          |               | A 07       | 18     | 15       | 229-30556     |
|            |        |          |               | A 07       | 19     | 20       | 113-22401     |
|            |        |          |               | A 07       | 19     | 21       | SS-6661110-SP |
|            |        |          |               | A 07       | 20     | 24       | 113-24050     |
|            |        |          |               | A 07       | 20     | 26       | SS-6661110-SP |
|            |        |          |               |            |        |          |               |
|            |        |          |               |            |        |          |               |
|            |        |          |               |            |        |          |               |
|            |        |          |               |            |        |          |               |
|            |        |          |               |            |        |          |               |
|            |        |          |               |            |        |          |               |
|            |        |          |               |            |        |          |               |
|            |        |          |               |            |        |          |               |
|            |        |          |               |            |        |          |               |
|            |        |          |               |            |        |          |               |
|            |        |          |               |            |        |          |               |
|            |        |          |               |            |        |          |               |
|            |        |          |               |            |        |          |               |
|            |        |          |               |            |        |          |               |

## HOW TO MAKE USE OF THIS PARTS LIST

### 1.Explanation of codes

1)"\*"mark.....means this part is changed from the previous parts book.

As to the details of the change, refer to the "List for information of change".

2)"#01".....refer to "Note" explanation at bottom of page.

### 2.Codes on the "Qty" column

- Each numeral indicates the number of parts required.
- "0.1" and "2.5" indicate the length (in meters) of the respective parts.

3.Parentheses mean that the corresponding part is a subpart that constructs an assembly part.

4.Dotted lines on the Figures indicate assembly parts.

### 1."注記"欄の記号説明

1) "\*"印.....前回のパーツブックに比較して今回変更された部品を意味します。

変更内容は、"変更情報リスト"を参照してください。

2) "#01".....ページ下の"注記"の説明を参照してください。

2.数量欄の数字は、個数を表し、0.1、2.5等の数値は、長さ（単位メートル）を表します。

3.数量欄の（ ）は、組部品を構成している子部品であることを意味します。

4.イラストページの-----枠は、組構成であることを意味します。



# NUMERICAL INDEX OF PARTS

| PART NO  | PAGE | REF NO. | PART NO  | PAGE | REF NO. | PART NO  | PAGE | REF NO. |
|----------|------|---------|----------|------|---------|----------|------|---------|
| 11002409 | 6    | 20      | 11302353 | 6    | 16      | 22901250 | 2    | 42      |
| 11002508 | 6    | 21      | 11302411 | 12   | 12      | 22901300 | 2    | 44      |
| 11002904 | 6    | 28      | 11302502 | 12   | 40      | 22901805 | 4    | 56      |
| 11003308 | 2    | 10      | 11302619 | 14   | 67      | 22901904 | 4    | 54      |
| 11004207 | 8    | 24      | 11303161 | 12   | 26      | 22903009 | 6    | 31      |
| 11005204 | 6    | 7       | 11303328 | 12   | 4       | 22903108 | 6    | 15      |
| 11006350 | 10   | 11      | 11303567 | 16   | 25      | 22903157 | 6    | 10      |
| 11006905 | 10   | 12      | 11303807 | 16   | 19      | 22903900 | 6    | 32      |
| 11015807 | 8    | 25      | 11303906 | 16   | 24      | 22904155 | 6    | 23      |
| 11015906 | 8    | 37      | 11304003 | 16   | 2       | 22905004 | 8    | 21      |
| 11017357 | 6    | 2       | 11304151 | 16   | 28      | 22905103 | 8    | 22      |
| 11023017 | 20   | 2       | 11304201 | 16   | 13      | 22906457 | 8    | 4       |
| 11024304 | 20   | 26      | 11304300 | 16   | 15      | 22907406 | 10   | 26      |
| 11024700 | 20   | 3       | 11304409 | 16   | 1       | 22907505 | 10   | 23      |
| 11038759 | 26   | 14      | 11305000 | 12   | 17      | 22907554 | 10   | 22      |
| 11039062 | 6    | 5       | 11305653 | 10   | 15      | 22907604 | 10   | 24      |
| 11039070 | 6    | 4       | 11305703 | 10   | 37      | 22907703 | 10   | 25      |
| 11047057 | 20   | 1       | 11305901 | 10   | 16      | 22907802 | 10   | 1       |
| 11047107 | 20   | 4       | 11306107 | 10   | 14      | 22908552 | 10   | 4       |
| 11071362 | 6    | 29      | 11307006 | 18   | 29      | 22908909 | 10   | 38      |
| 11091006 | 26   | 13      | 11307154 | 18   | 4       | 22910103 | 6    | 34      |
| 11091006 | 28   | 13      | 11307352 | 18   | 8       | 22910608 | 12   | 25      |
| 11091709 | 26   | 11      | 11320801 | 26   | 5       | 22910707 | 12   | 24      |
| 11091709 | 28   | 11      | 11320801 | 28   | 5       | 22910806 | 12   | 27      |
| 11202306 | 6    | 27      | 11321452 | 26   | 15      | 22910905 | 12   | 23      |
| 11205309 | 10   | 20      | 11321452 | 28   | 15      | 22911002 | 12   | 37      |
| 11205408 | 10   | 19      | 11322203 | 26   | 7       | 22911101 | 12   | 13      |
| 11210903 | 16   | 10      | 11322203 | 28   | 7       | 22911705 | 12   | 5       |
| 11211000 | 16   | 4       | 11322401 | 26   | 20      | 22911804 | 12   | 7       |
| 11214509 | 16   | 22      | 11322450 | 26   | 19      | 22912000 | 12   | 9       |
| 11221504 | 18   | 25      | 11324001 | 28   | 25      | 22912109 | 12   | 8       |
| 11222007 | 18   | 26      | 11324050 | 28   | 24      | 22912752 | 14   | 62      |
| 11300308 | 2    | 37      | 11324100 | 28   | 19      | 22912802 | 14   | 61      |
| 11300407 | 2    | 3       | 11324209 | 28   | 18      | 22912901 | 12   | 36      |
| 11300506 | 2    | 2       | 11325750 | 2    | 1       | 22913008 | 14   | 48      |
| 11300605 | 2    | 4       | 11326204 | 12   | 10      | 22915003 | 12   | 15      |
| 11300902 | 6    | 25      | 11326303 | 26   | 12      | 22915151 | 12   | 42      |
| 11301009 | 8    | 2       | 11326451 | 28   | 12      | 22915201 | 12   | 45      |
| 11301108 | 8    | 3       | 11385127 | 12   | 6       | 22915359 | 14   | 65      |
| 11301355 | 10   | 27      | 11404704 | 28   | 23      | 22916001 | 8    | 29      |
| 11301405 | 10   | 28      | 11404753 | 28   | 22      | 22916100 | 8    | 32      |
| 11301603 | 10   | 9       | 22900401 | 2    | 9       | 22916407 | 8    | 30      |
| 11301652 | 10   | 7       | 22900609 | 2    | 21      | 22916506 | 8    | 38      |
| 11301702 | 10   | 5       | 22901003 | 2    | 46      | 22916555 | 8    | 36      |
| 11302304 | 6    | 18      | 22901201 | 2    | 43      | 22917058 | 8    | 34      |

# NUMERICAL INDEX OF PARTS

| PART NO  | PAGE | REF NO. | PART NO  | PAGE | REF NO. | PART NO      | PAGE | REF NO. |
|----------|------|---------|----------|------|---------|--------------|------|---------|
| 22917157 | 8    | 27      | 22930556 | 24   | 15      | 22971105     | 12   | 1       |
| 22919203 | 6    | 3       | 22930705 | 24   | 7       | 22971204     | 12   | 2       |
| 22920508 | 2    | 19      | 22930804 | 24   | 5       | 22971550     | 12   | 19      |
| 22920607 | 2    | 38      | 22930903 | 24   | 4       | 22971857     | 12   | 34      |
| 22920706 | 2    | 18      | 22931000 | 24   | 3       | 22972608     | 2    | 47      |
| 22921001 | 2    | 20      | 22931109 | 24   | 2       | 40017805     | 10   | 31      |
| 22921209 | 2    | 30      | 22931307 | 24   | 11      | 40060989     | 10   | 32      |
| 22921308 | 2    | 25      | 22931406 | 24   | 8       | 40081220     | 12   | 11      |
| 22921407 | 2    | 26      | 22932107 | 20   | 8       | B1109415H0B  | 26   | 10      |
| 22921506 | 2    | 29      | 22932156 | 20   | 7       | B1109415H0B  | 28   | 10      |
| 22921605 | 2    | 31      | 22932206 | 20   | 11      | B1114012000  | 28   | 3       |
| 22921704 | 2    | 27      | 22932305 | 20   | 17      | B1213552000A | 26   | 17      |
| 22921803 | 2    | 28      | 22932404 | 20   | 14      | B1213552000A | 28   | 20      |
| 22923007 | 18   | 11      | 22932453 | 20   | 13      | B1215552000  | 6    | 26      |
| 22923056 | 18   | 9       | 22932503 | 2    | 14      | B1226552000  | 26   | 16      |
| 22923205 | 18   | 14      | 22932552 | 2    | 13      | B1226552000  | 28   | 17      |
| 22923304 | 18   | 10      | 22932602 | 2    | 15      | B13050120A0  | 8    | 12      |
| 22923403 | 18   | 16      | 22932701 | 2    | 16      | B13061550A0  | 8    | 14      |
| 22923502 | 18   | 18      | 22932909 | 8    | 26      | B13061550B0  | 8    | 11      |
| 22923601 | 18   | 17      | 22933402 | 22   | 2       | B13061550C0  | 8    | 10      |
| 22923700 | 18   | 12      | 22933451 | 22   | 1       | B13071550A0  | 8    | 17      |
| 22923809 | 18   | 15      | 22933501 | 22   | 3       | B13071550B0  | 8    | 16      |
| 22923908 | 18   | 19      | 22933600 | 22   | 5       | B13081550A0  | 8    | 19      |
| 22924005 | 18   | 23      | 22933659 | 22   | 4       | B1408552000  | 6    | 8       |
| 22924609 | 18   | 24      | 22933758 | 22   | 6       | B1412352B00  | 16   | 5       |
| 22924708 | 18   | 1       | 22933907 | 22   | 7       | B1414226000  | 8    | 6       |
| 22924807 | 18   | 31      | 22934004 | 22   | 8       | B1418415H00  | 26   | 8       |
| 22924906 | 18   | 7       | 22934202 | 20   | 22      | B1418415H00  | 28   | 8       |
| 22925002 | 18   | 6       | 22934251 | 20   | 19      | B1418552A00  | 8    | 8       |
| 22927305 | 22   | 25      | 22934301 | 20   | 23      | B1505552000A | 26   | 4       |
| 22927354 | 22   | 13      | 22934400 | 20   | 21      | B1505552000A | 28   | 4       |
| 22927404 | 22   | 26      | 22934509 | 20   | 25      | B1521555000  | 10   | 2       |
| 22927602 | 22   | 27      | 22934608 | 20   | 20      | B1524041EB0  | 26   | 6       |
| 22928105 | 22   | 22      | 22934707 | 20   | 15      | B1524041EB0  | 28   | 6       |
| 22928303 | 22   | 21      | 22940654 | 14   | 52      | B1636581C00  | 14   | 49      |
| 22928402 | 22   | 20      | 22940803 | 12   | 30      | B18304150A0  | 8    | 23      |
| 22928501 | 22   | 14      | 22945307 | 2    | 32      | B18370120A0  | 8    | 33      |
| 22928709 | 22   | 29      | 22945356 | 2    | 24      | B1903552000  | 6    | 9       |
| 22928808 | 22   | 18      | 22958300 | 26   | 3       | B1905541B00  | 6    | 6       |
| 22928907 | 22   | 16      | 22962005 | 28   | 2       | B2906415000  | 16   | 6       |
| 22929004 | 22   | 17      | 22962054 | 26   | 1       | B31334150A0  | 4    | 48      |
| 22930309 | 24   | 14      | 22962054 | 28   | 1       | B3136415000  | 4    | 49      |
| 22930358 | 24   | 1       | 22962055 | 26   | 2       | B3536122000  | 18   | 5       |
| 22930408 | 24   | 10      | 22967202 | 14   | 60      | B8228125000  | 20   | 27      |
| 22930507 | 24   | 9       | 22970602 | 12   | 35      | BT0600402EA  | 18   | 3       |

NUMERICAL INDEX OF PARTS

| PART NO     | PAGE | REF NO. | PART NO     | PAGE | REF NO. | PART NO     | PAGE | REF NO. |
|-------------|------|---------|-------------|------|---------|-------------|------|---------|
| CM300200001 | 4    | 55      | SE4301041SR | 18   | 13      | SS7091110TP | 10   | 33      |
| CM301300001 | 4    | 57      | SK3412000SC | 22   | 30      | SS7110350SP | 22   | 19      |
| CQ252000000 | 18   | 30      | SL4030851SF | 18   | 20      | SS7110740TP | 14   | 50      |
| CS064061ASP | 10   | 35      | SM4051405SE | 24   | 12      | SS7111120SP | 14   | 66      |
| CS120101BSH | 16   | 8       | SM6061610SC | 24   | 6       | SS7121410SP | 16   | 29      |
| CS147121ASH | 12   | 57      | SM8063012TR | 20   | 10      | SS7121410TP | 12   | 53      |
| CS147121ASH | 14   | 57      | SM9061203SE | 20   | 24      | SS7121410TP | 14   | 53      |
| D1524415BBC | 10   | 34      | SM9062563TR | 20   | 16      | SS7121610SP | 12   | 43      |
| D1609415B00 | 12   | 31      | SQ1150501SD | 18   | 28      | SS7620750SP | 14   | 69      |
| D1837415DAL | 28   | 14      | SS1120710SP | 2    | 5       | SS7681650TP | 6    | 14      |
| MC200500900 | 8    | 39      | SS2110920TP | 2    | 35      | SS8090670SP | 2    | 33      |
| MC200501400 | 26   | 18      | SS4080620TP | 12   | 32      | SS8110310SP | 16   | 26      |
| MC200501400 | 28   | 21      | SS4090615SP | 6    | 19      | SS8110410TP | 8    | 35      |
| MDB100B1400 | 8    | 9       | SS4110515SP | 22   | 15      | SS8110510SP | 22   | 28      |
| MDB100B2100 | 26   | 9       | SS4110915TP | 8    | 31      | SS8120740SP | 16   | 21      |
| MDB100B2100 | 28   | 9       | SS4120615SP | 2    | 23      | SS8150710TP | 2    | 34      |
| NM6050001SE | 24   | 17      | SS4120615SP | 18   | 33      | SS8150710TP | 12   | 28      |
| NM6060001SE | 20   | 18      | SS4120915SP | 2    | 8       | SS8151150TP | 6    | 1       |
| NM6160511SE | 24   | 18      | SS4120915SP | 8    | 40      | SS8151550SP | 6    | 30      |
| NS6090310SP | 4    | 53      | SS4121015SP | 2    | 41      | SS8660410SP | 16   | 9       |
| NS6150310SP | 16   | 14      | SS4121415SP | 22   | 9       | SS8660610TP | 6    | 24      |
| NS6150430SP | 16   | 17      | SS4150915SP | 18   | 22      | SS8660610TP | 10   | 30      |
| NS6680410SP | 12   | 39      | SS6060210SP | 2    | 45      | SS8660610TP | 12   | 58      |
| RC0150001KP | 12   | 51      | SS6080340SP | 18   | 27      | SS8660610TP | 14   | 58      |
| RC0150001KP | 14   | 51      | SS6090560TP | 12   | 3       | SS8660810TP | 8    | 20      |
| RC1850001KP | 6    | 22      | SS6090620TP | 12   | 38      | SS8661030SP | 14   | 63      |
| RE0300000K0 | 10   | 29      | SS6090660TP | 16   | 7       | SS8661040TP | 14   | 64      |
| RE0500000K0 | 10   | 13      | SS6090670TP | 8    | 5       | SS8681130SP | 12   | 41      |
| RE0500000K0 | 12   | 21      | SS6090810TP | 16   | 23      | SS8681650TP | 6    | 11      |
| RE1000000K0 | 20   | 12      | SS6110420TP | 8    | 28      | SS9661120CP | 14   | 55      |
| RO029180100 | 6    | 33      | SS6110610TP | 2    | 39      | TA0850604R0 | 2    | 50      |
| RO037180100 | 10   | 3       | SS6110640SP | 16   | 27      | TA0850604R0 | 4    | 50      |
| RO044240100 | 6    | 13      | SS6111010TP | 18   | 21      | TA1250406R0 | 2    | 40      |
| RO078190100 | 14   | 59      | SS6121050SP | 28   | 16      | TA1250504R0 | 2    | 51      |
| RO092270200 | 12   | 16      | SS6121220TP | 16   | 3       | TA1250504R0 | 4    | 51      |
| RO098240100 | 20   | 6       | SS6121610SP | 16   | 20      | TA1250705R0 | 2    | 7       |
| RO195240100 | 18   | 2       | SS6121860SP | 14   | 70      | TA1250804R0 | 8    | 1       |
| SB309000400 | 16   | 18      | SS6151220SP | 14   | 56      | TA2000502R0 | 2    | 11      |
| SD0380552SL | 2    | 17      | SS6661110SP | 6    | 17      | TA2101002R0 | 2    | 52      |
| SD0490261SP | 22   | 23      | SS6661110SP | 26   | 21      | TA2101002R0 | 4    | 52      |
| SD0600322SD | 10   | 18      | SS6661110SP | 28   | 26      | WP0450826SC | 22   | 31      |
| SD0640261SP | 10   | 6       | SS6700710SH | 20   | 5       | WP0480856SP | 14   | 54      |
| SD0720331SP | 10   | 21      | SS7080510TP | 8    | 7       | WP0501016SD | 22   | 10      |
| SD0790501SP | 16   | 12      | SS7081310SP | 22   | 24      | WP0621016SD | 16   | 16      |
| SD1000801SH | 12   | 44      | SS7090620TP | 10   | 36      | WP0650876SD | 10   | 8       |

## NUMERICAL INDEX OF PARTS

| PART NO     | PAGE | REF NO. |
|-------------|------|---------|
| WP0702026SP | 12   | 22      |
| WP1612616SE | 24   | 19      |
| WS0510002KN | 24   | 16      |
| WS1643202KR | 24   | 20      |
| WZ1250300K0 | 14   | 68      |