

MODEL : PLC-2710/PLC-2710-7/PLC-2760/PLC-2760-7/PLC-2765
List No : 1629-07

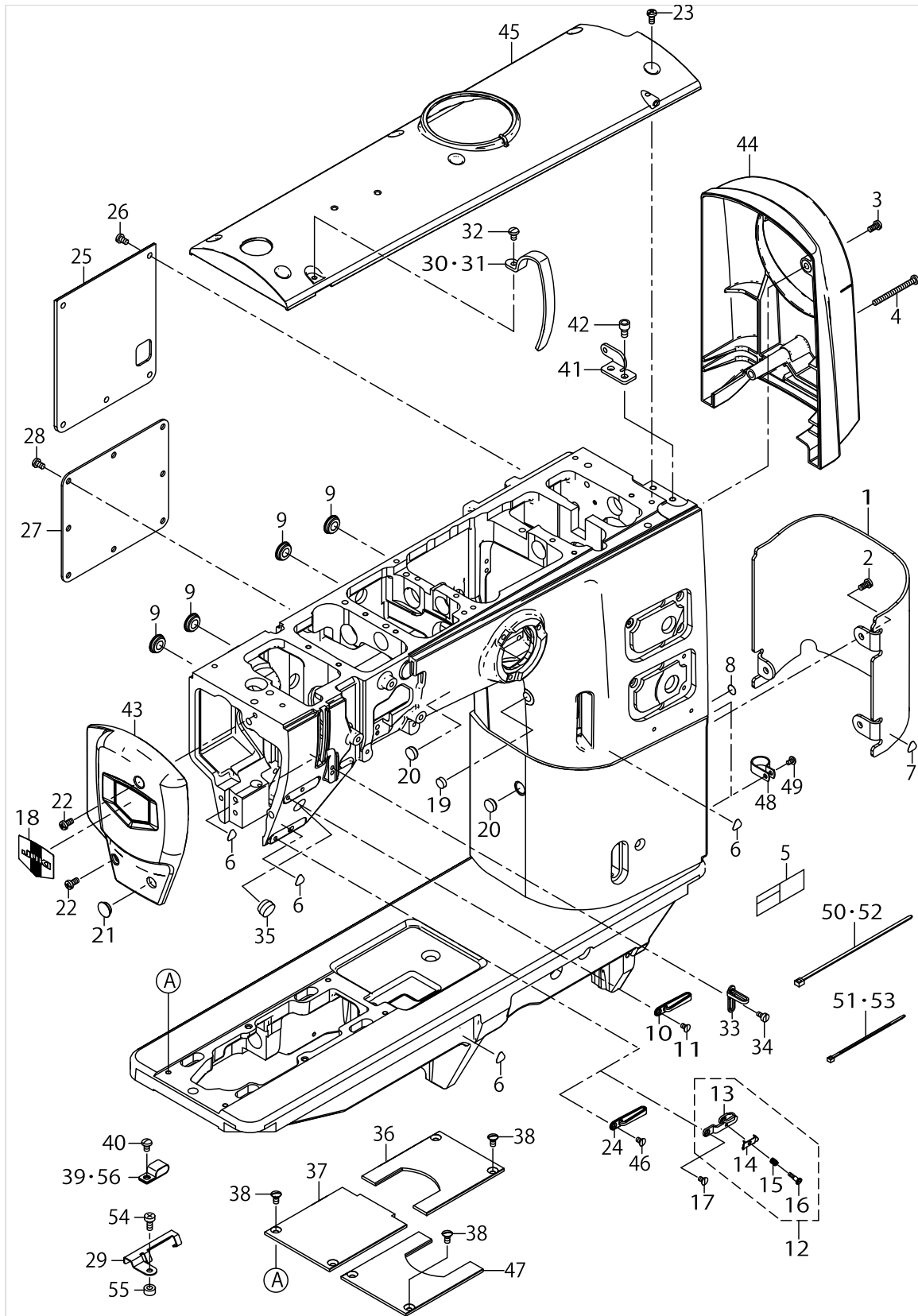
PARTS LIST

Published:02/15/2019

CONTENTS

| | |
|---|-----|
| FRAME & MISCELLANEOUS COVER COMPONENTS | 1 |
| MAIN SHAFT & THREAD TAKE-UP LEVER COMPONENTS | 5 |
| NEEDLE BAR COMPONENTS | 9 |
| NEEDLE BAR COMPONENTS (FOR PLC-2765)..... | 11 |
| LOWER SHAFT COMPONENTS..... | 13 |
| OPENNER COMPONENTS | 17 |
| HOOK COMPONENTS..... | 19 |
| UPPER FEED COMPONENTS..... | 23 |
| HAND LIFTER & AUTO LIFTER COMPONENTS..... | 27 |
| KNEE LIFTER COMPONENTS (FOR PLC-2710,2760,2760L,2765) | 31 |
| LOWER FEED COMPONENTS..... | 33 |
| FEED ADJUST COMPONENTS..... | 39 |
| DL COMPONENTS(FOR PLC-2710-7,2760-7,2710(WITH AK,BT,DL),2760(WITH AK,BT,DL),2760L (WITH AK,BT,DL),2765(WITH AK,BT,DL)) | 45 |
| AUTO BT COMPONENTS(FOR PLC-2710-7,2760-7,2710(WITH AK,BT,DL),2760(WITH AK,BT, DL),2760L(WITH AK,BT,DL),2765(WITH AK,BT,DL)) | 47 |
| 6-RANGE SW COMPONENTS(FOR PLC-2710-7,2760-7,2710(WITH AK,BT,DL),2760(WITH AK,BT, DL),2760L(WITH AK,BT,DL),2765(WITH AK,BT,DL)) | 49 |
| SPEED ADJUST COMPONENTS(FOR PLC-2710-7,2760-7,2710(WITH AK,BT,DL),2760(WITH AK, BT,DL),2765(WITH AK,BT,DL)) | 51 |
| THREAD CUTTING COMPONENTS(FOR PLC-2710-7,2760-7) | 53 |
| CONDENSE COMPONENTS(FOR PLC-2710-7,2760-7) | 59 |
| THREAD TENSION COMPONENTS(FOR PLC-2710,2710-7) | 61 |
| THREAD TENSION COMPONENTS(FOR PLC-2760,2760-7,2760L)..... | 63 |
| NEEDLE STOP CHANGE LEVER & THREAD TENSION COMPONENTS(FOR PLC-2765)..... | 67 |
| TENSION RELEASE COMPONENTS(FOR PLC-2710-7,2760-7) | 71 |
| PNEUMATIC COMPONENTS(FOR PLC-2710-7,2760-7)..... | 73 |
| BOBBIN WINDER COMPONENTS..... | 75 |
| LUBRICATION COMPONENTS | 77 |
| THREAD STAND COMPONENTS(FOR PLC-2710,2710-7)..... | 83 |
| THREAD STAND COMPONENTS(FOR PLC-2760,2760-7,2760L,2765) | 85 |
| ACCESSORIES PARTS COMPONENTS (1)..... | 87 |
| ACCESSORIES PARTS COMPONENTS (2)..... | 89 |
| TABLE OF EXCHANGING GAUGE PARTS(FOR PLC-2710,2710-7)..... | 95 |
| TABLE OF EXCHANGING GAUGE PARTS (FOR PLC-2760,2760-7,2760L,2765)..... | 97 |
| SC-922A KIT COMPONENTS (OPTIONAL PARTS)..... | 103 |
| SUSPENSION SQUARE COMPONENTS (OPTIONAL PARTS) | 105 |
| AK KIT COMPONENTS (OPTIONAL PARTS)(FOR PLC-2710,2760,2760L,2765)..... | 107 |
| BT,DL KIT COMPONENTS (OPTIONAL PARTS)(FOR PLC-2710(WITH AK),2760(WITH AK),2760L (WITH AK)) | 109 |
| BT,DL KIT COMPONENTS (OPTIONAL PARTS)(FOR PLC-2765(WITH AK)) | 113 |
| AK,BT,DL KIT COMPONENTS (OPTIONAL PARTS)(FOR PLC-2710,2760,2760L) | 117 |
| AK,BT,DL KIT COMPONENTS (OPTIONAL PARTS)(FOR PLC-2765)..... | 121 |
| OPTIONAL PARTS | 125 |
| LIST FOR INFOMATION OF CHANGE(1) | 127 |
| LIST FOR INFOMATION OF CHANGE(2) | 128 |
| HOW TO MAKE USE OF THIS PARTS LIST | 129 |

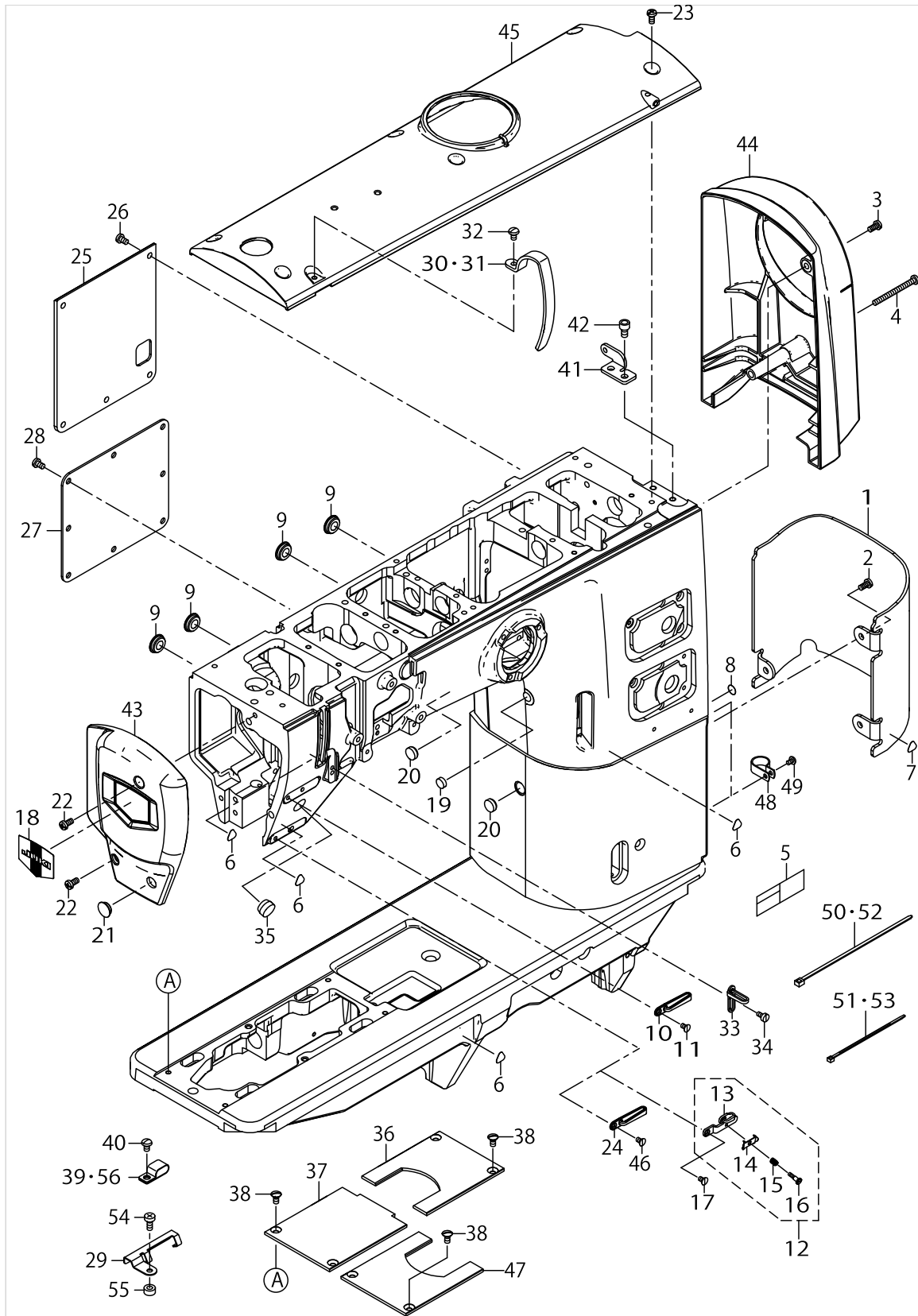
FRAME & MISCELLANEOUS COVER COMPONENTS



FRAME & MISCELLANEOUS COVER COMPONENTS

| No. | Parts No. | Parts name | Remarks | Level | Cons | Qty |
|-----|-------------|-----------------------------|--|-------|------|-----|
| 1 | 40129977 | POST_COVER | FOR PLC-2710-7,2760-7 | | | 1 |
| 2 | SM4051055SP | SCREW | FOR PLC-2710-7,2760-7 | | | 3 |
| 3 | SM4051055SP | SCREW | FOR PLC-2710-7,2760-7 | | | 2 |
| 4 | SM4055501SC | SCREW M5X0.8 L=55 | FOR PLC-2710-7,2760-7 | | | 1 |
| 5 | 40102261 | SAFETY_LABEL_S | | | | 1 |
| 6 | CM300200001 | ATTENTION SEAL | | | | 4 |
| 7 | CM300200001 | ATTENTION SEAL | FOR PLC-2710-7,2760-7 | | | 1 |
| 8 | 22901805 | GROUND MARK | | | | 1 |
| 9 | TA1650406R0 | PRUG | | | | 4 |
| 10 | 40084142 | THREAD_GUIDE_LOWER | | | ☆ | 1 |
| 11 | SM1040750TP | SCREW M4 L=7 | | | | 1 |
| 12 | 40034675 | THREAD_GUIDE_ASM_E | FOR PLC-2710-7,2760-7,2765 | | ☆ | 1 |
| 13 | 40034674 | THREAD_GUIDE | | * | | 1 |
| 14 | 40042716 | THREAD_PRESSER_PLATE | | * | | 1 |
| 15 | B1132521000 | THREAD PRESSER PLATE SPRING | | * | | 1 |
| 16 | SD0380556TL | SHOULDER SCREW D=3.8 H=5.5 | | * | | 1 |
| 17 | SM1040750TP | SCREW M4 L=7 | FOR PLC-2710-7,2760-7,2765 | | | 1 |
| 18 | 22902506 | FACE PLATE | | | | 1 |
| 19 | TA1030402R0 | RUBBER PLUG D=10.3 L=4 | | | | 1 |
| 20 | TA1270502R0 | RUBBER PLUG | | | | 2 |
| 21 | TA1250406R0 | RUBBER PLUG D=12.5 L=4 | | | | 1 |
| 22 | SM4051055SP | SCREW | | | | 2 |
| 23 | SM4051055SP | SCREW | | | | 6 |
| 24 | 40084142 | THREAD_GUIDE_LOWER | FOR PLC-2710,2760,2760L | | ☆ | 1 |
| 25 | 40129995 | APERTURE_COVER | | | | 1 |
| 26 | SM4050855SP | SCREW | | | | 5 |
| 27 | 40129975 | APERTURE_PLATE | | | | 1 |
| 28 | SM4050855SP | SCREW | | | | 8 |
| 29 | 40134805 | CABLE HOLDER | FOR PLC-2710-7,2760-7, 2710(WI-TH AK,BT,DL), 2760(WITH AK,BT,D-L), 2760L(WITH AK,BT,DL), 2765(WITH AK,BT,DL) | | | 1 |
| 30 | 40134834 | THREAD_TAKE_UP_LEVER COVER | FOR PLC-2760L | | | 1 |
| 31 | 23600505 | THREAD TAKE-UP LEVER COVER | FOR PLC-2710,2710-7,2760, 2760-7,2765 | | | 1 |
| 32 | SM4051055SP | SCREW | | | | 1 |
| 33 | 40126221 | THREAD_GUIDE | | | ☆ | 1 |
| 34 | SM6040870SP | SCREW | | | | 1 |
| 35 | TA1550902R0 | PLUG | | | | 1 |
| 36 | 40129982 | BED_COVER_A | | | | 1 |
| 37 | 40129983 | BED_COVER_B | FOR PLC-2710,2710-7 | | | 1 |
| 38 | SM2051000SC | SCREW | | | | 4 |
| 39 | D2112555B00 | CORD HOLDER LARGE | FOR PLC-2710-7,2760-7 | | | 3 |
| 40 | SM4050855SP | SCREW | FOR PLC-2710-7,2760-7, 2710(WI-TH AK,BT,DL), 2760(WITH AK,BT,D-L), 2760L(WITH AK,BT,DL), 2765(WITH AK,BT,DL) | | | 2 |
| 41 | 40112277 | PLATE | FOR PLC-2710,2760,2765,2760L | | | 1 |
| 42 | SM6061002TP | SCREW M6 L=10 | FOR PLC-2710,2760,2765,2760L | | | 2 |
| 43 | 40130704 | FACE_PLATE | | | | 1 |
| 44 | 40130705 | MOTOR_COVER | FOR PLC-2710-7,2760-7 | | | 1 |
| 45 | 40130706 | TOP_COVER | | | | 1 |

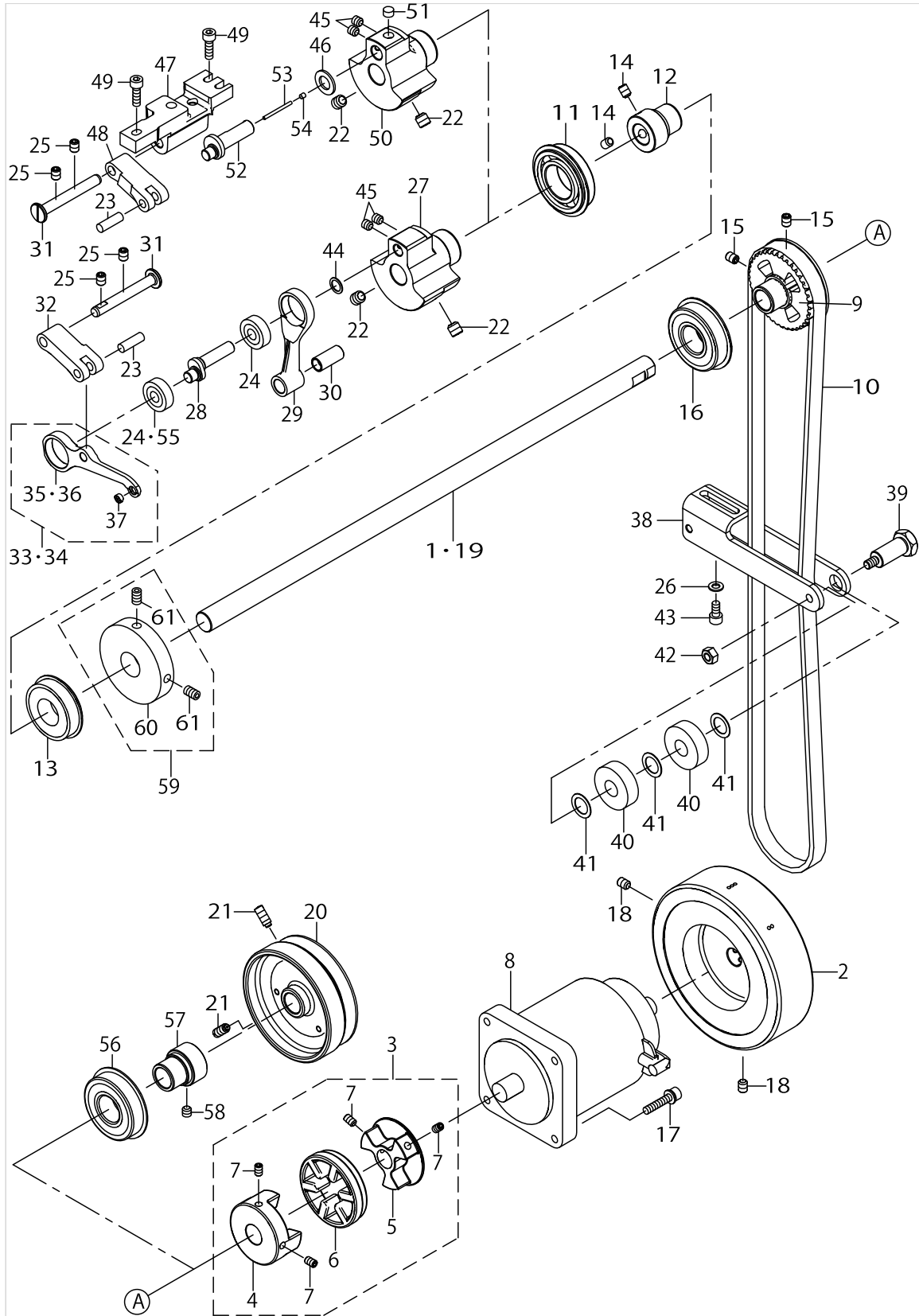
FRAME & MISCELLANEOUS COVER COMPONENTS



FRAME & MISCELLANEOUS COVER COMPONENTS

| No. | Parts No. | Parts name | Remarks | Level | Cons | Qty |
|-----|-------------|-------------------------|---|-------|------|-----|
| 46 | SM1040750TP | SCREW M4 L=7 | FOR PLC-2710,2760,2760L | | | 1 |
| 47 | 40129982 | BED_COVER_A | FOR PLC-2760,2760-7,2760L,2765 | | | 1 |
| 48 | HX00150000H | CABLE CLAMP | FOR PLC-2710,2760,2765,2760L | | | 2 |
| 49 | SM4040655SP | SCREW M4 L=6 | FOR PLC-2710,2760,2765,2760L | | | 2 |
| 50 | EA9500B0200 | CABLE BAND 150 | FOR PLC-2710,2760,2765,2760L | | | 1 |
| 51 | EA9500B0100 | CABLE BAND | FOR PLC-2710,2760,2765,2760L | | | 6 |
| 52 | EA9500B0200 | CABLE BAND 150 | FOR PLC-2710-7,2760-7 | | | 3 |
| 53 | EA9500B0100 | CABLE BAND | FOR PLC-2710-7,2760-7 | | | 5 |
| 54 | SM4051255SP | SCREW.,M5 L=12 | FOR PLC-2710(WITH AK,BT,DL), 2760(WITH AK,BT,DL), 2760L(WITH AK,BT,DL), 2765(WITH AK,BT,DL) | | | 1 |
| 55 | B3417051000 | REAR LIFTING BAR ROLLER | FOR PLC-2710(WITH AK,BT,DL), 2760(WITH AK,BT,DL), 2760L(WITH AK,BT,DL), 2765(WITH AK,BT,DL) | | | 1 |
| 56 | D2112555B00 | CORD HOLDER LARGE | FOR PLC-2710(WITH AK,BT,DL), 2760(WITH AK,BT,DL), 2760L(WITH AK,BT,DL), 2765(WITH AK,BT,DL) | | | 2 |

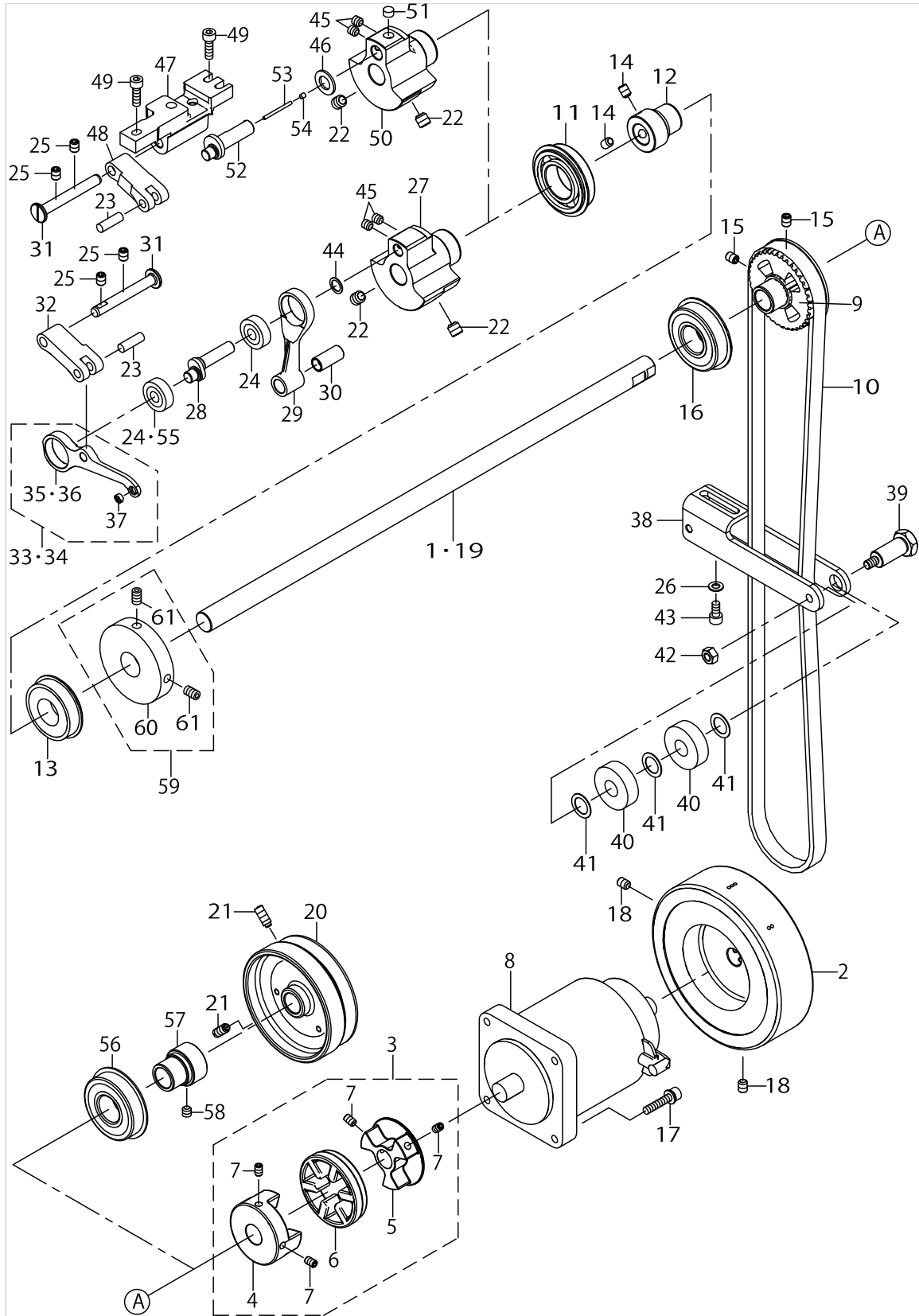
MAIN SHAFT & THREAD TAKE-UP LEVER COMPONENTS



MAIN SHAFT & THREAD TAKE-UP LEVER COMPONENTS

| No. | Parts No. | Parts name | Remarks | Level | Cons | Qty |
|-----|-------------|----------------------------|--|-------|------|-----|
| 1 | 40112087 | MAIN_SHAFT_DD | FOR PLC-2710-7,2760-7 | | | 1 |
| 2 | 40130702 | HAND_WHEEL | FOR PLC-2710-7,2760-7 | | | 1 |
| 3 | 40112312 | COUPLING_ASSY | FOR PLC-2710-7,2760-7 | | | 1 |
| 4 | 40130277 | HUB_L | FOR PLC-2710-7,2760-7 | * | | 1 |
| 5 | 40112106 | HUB_R | FOR PLC-2710-7,2760-7 | * | | 1 |
| 6 | 40125950 | SPIDER | FOR PLC-2710-7,2760-7 | * | | 1 |
| 7 | SM8050812TP | SCREW M5X8 | FOR PLC-2710-7,2760-7 | * | | 4 |
| 8 | 40126244 | AC SERVO MOTOR | FOR PLC-2710-7,2760-7 | | | 1 |
| 9 | 40126321 | SPROCKET_UPPER | | | | 1 |
| 10 | 40130020 | TIMING_BELT | | | ☆ | 1 |
| 11 | B1203512000 | BUSHING | | | | 1 |
| 12 | 23605207 | MAIN SHAFT BEARING SUPPORT | | | | 1 |
| 13 | SB120001800 | BEARING | | | | 1 |
| 14 | SM80608A2TP | SCREW M6 L=8 | | | | 2 |
| 15 | SM8060812TP | SCREW M6 L=8 | | | | 2 |
| 16 | SB120002700 | BEARING | FOR PLC-2710-7,2760-7 | | | 1 |
| 17 | SL6052592TN | BOLT | FOR PLC-2710-7,2760-7 | | | 4 |
| 18 | SM8060812TP | SCREW M6 L=8 | FOR PLC-2710-7,2760-7 | | | 2 |
| 19 | 40112088 | MAIN_SHAFT | FOR PLC-2710,2760,2765,2760L | | | 1 |
| 20 | 40112299 | HAND_WHEEL_A | FOR PLC-2710,2760,2765,2760L | | | 1 |
| 21 | SS8151550SP | SCREW 15/64-28 L=15 | FOR PLC-2710,2760,2765,2760L | | | 2 |
| 22 | SM8080812TP | SCREW M8X8 | | | | 2 |
| 23 | 10721504 | FEED ADJUSTING PIN | | | | 1 |
| 24 | SB108002400 | BEARING | FOR PLC-2710,2710-7,2760, 2760-- 7,2760L 2760-7,276 | | | 2 |
| 25 | SM8060812TP | SCREW M6 L=8 | | | | 2 |
| 26 | WP0531000SD | WASHER M5 | | | | 2 |
| 27 | 40112091 | COUNTER_WEIGHT | FOR PLC-2710,2710-7,2760, 2760-- 7,2760L 2760-7,276 | | | 1 |
| 28 | 40112092 | NEEDLE_BAR_CRANK | FOR PLC-2710,2710-7,2760, 2760-- 7,2760L 2760-7,276 | | | 1 |
| 29 | 40112093 | NEEDLE_BAR_CRANK_ROD | FOR PLC-2710,2710-7,2760, 2760-- 7,2760L 2760-7,276 | | | 1 |
| 30 | 40112094 | CRANK_ROD_BUSH | FOR PLC-2710,2710-7,2760, 2760-- 7,2760L 2760-7,276 | | | 1 |
| 31 | 40011902 | THREAD_TAKE_UP_CRANK_SHAFT | | | | 1 |
| 32 | 40125930 | TAKE_UP_LEVER_CRANK | FOR PLC-2710,2710-7,2760, 2760-- 7,2760L 2760-7,276 | | | 1 |
| 33 | 40127049 | THREAD_TAKE_UP_ASM. | FOR PLC-2710,2710-7,2760, 2760-7,2765 | | | 1 |
| 34 | 40134545 | THREAD_TAKE_UP_ASM. | FOR PLC-2760L | | | 1 |
| 35 | 40125939 | THREAD_TAKE_UP | FOR PLC-2710,2710-7,2760, 2760-7,2765 | * | | 1 |
| 36 | 40134532 | THREAD_TAKE_UP | FOR PLC-2760L | * | | 1 |
| 37 | 10546901 | BUSH | | * | | 1 |
| 38 | 40130021 | IDOLER_PLATE | | | | 1 |
| 39 | 40130022 | IDOLER_SHAFT | | | | 1 |
| 40 | B1803019000 | BALL BEARING INTERMEDIATE | | | | 2 |
| 41 | E3026721000 | SLIDER | | | | 3 |
| 42 | NM6060001CP | NUT M6 | | | | 1 |
| 43 | SM6051002TP | SCREW M5X0.8 L=10 | | | | 2 |
| 44 | WP0820516SP | WASHER 11.6X8.2X0.6 | | | | 1 |

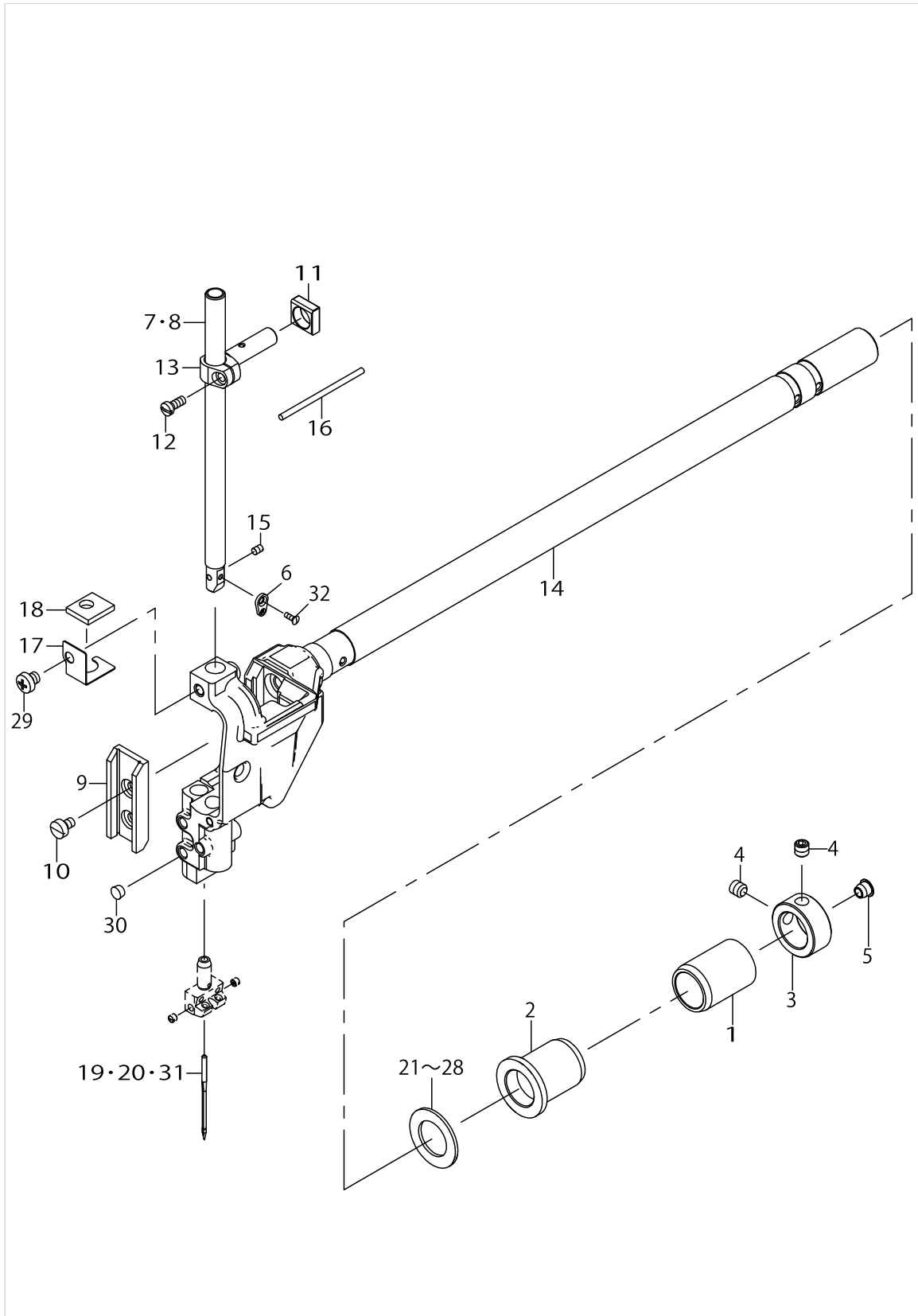
MAIN SHAFT & THREAD TAKE-UP LEVER COMPONENTS



MAIN SHAFT & THREAD TAKE-UP LEVER COMPONENTS

| No. | Parts No. | Parts name | Remarks | Level | Cons | Qty |
|-----|-------------|--------------------------------|------------------------------|-------|------|-------|
| 45 | SM8060612TP | SCREW M6 L=6 | | | | 2 |
| 46 | 40026818 | WASHER | FOR PLC-2765 | | | 1 |
| 47 | 40131642 | TAKE_UP_LEVER_CRANK_SHAFT_BASE | FOR PLC-2765 | | | 1 |
| 48 | 40131643 | TAKE_UP_LEVER_CRANK | FOR PLC-2765 | | | 1 |
| 49 | SM6051602TP | SCREW M5X0.8 L=16 | FOR PLC-2765 | | | 3 |
| 50 | 40131645 | COUNTER_WEIGHT | FOR PLC-2765 | | | 1 |
| 51 | 40138482 | FELT | FOR PLC-2765 | | | 1 |
| 52 | 40131646 | NEEDLE_BAR_CRANK | FOR PLC-2765 | | | 1 |
| 53 | CQ202000000 | OIL WICK | FOR PLC-2765 | | | 0.027 |
| 54 | TA0290301M0 | PLUG | FOR PLC-2765 | | | 1 |
| 55 | SB108001900 | BALL BEARING | FOR PLC-2765 | | | 1 |
| 56 | SB120002700 | BEARING | FOR PLC-2710,2760,2765,2760L | | | 1 |
| 57 | 23605207 | MAIN SHAFT BEARING SUPPORT | FOR PLC-2710,2760,2765,2760L | | | 1 |
| 58 | SM80608A2TP | SCREW M6 L=8 | FOR PLC-2710,2760,2765,2760L | | | 2 |
| 59 | 40010533 | BTW_DRIVING_WHEEL_ASM | | | | 1 |
| 60 | 40010534 | BTW_DRIVING_WHEEL | | * | | 1 |
| 61 | 40010535 | DRIVING_WHEEL_SCREW | | * | | 2 |

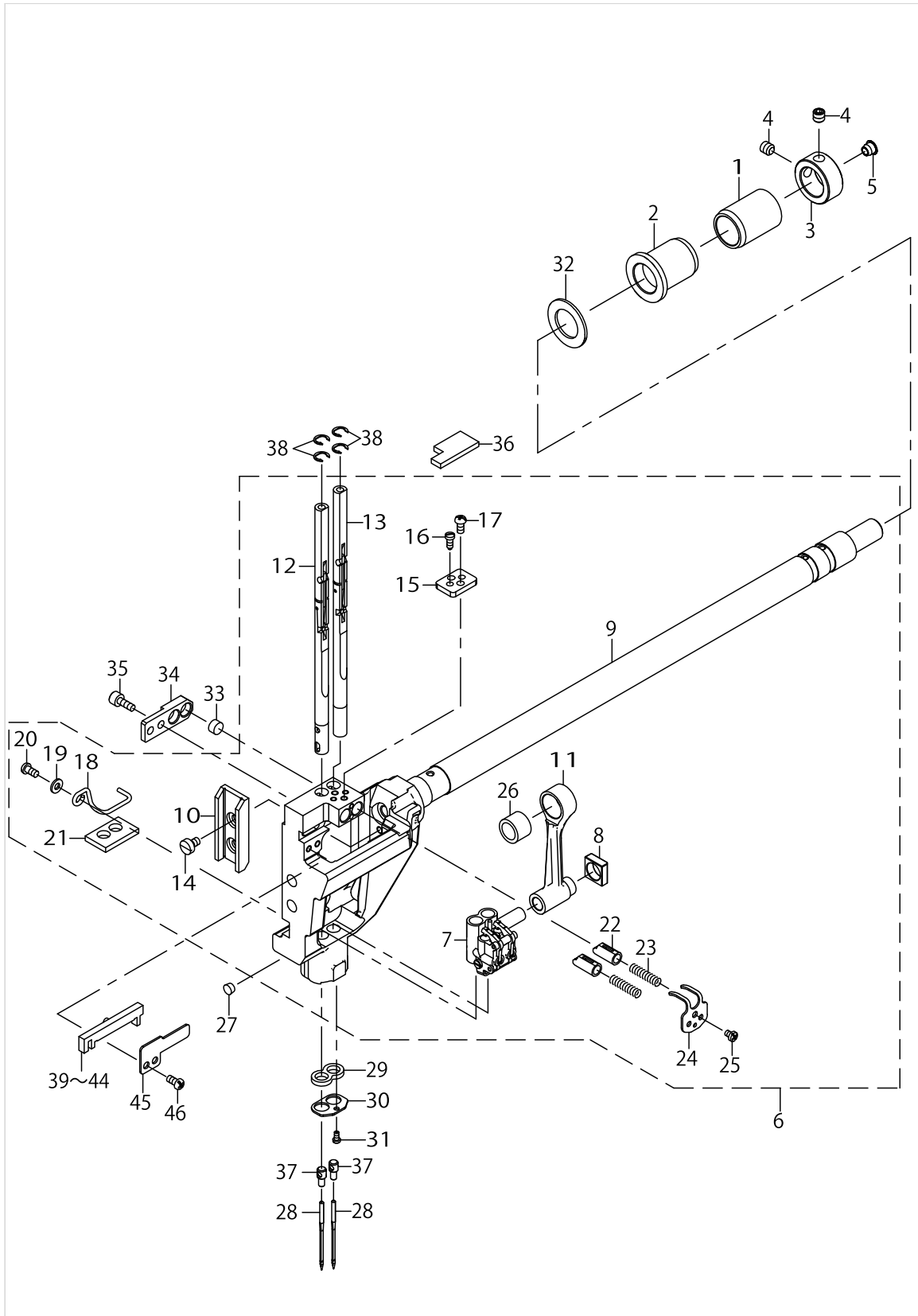
NEEDLE BAR COMPONENTS



NEEDLE BAR COMPONENTS

| No. | Parts No. | Parts name | Remarks | Level | Cons | Qty |
|-----|-------------|-------------------------------|---------------------------|-------|------|------|
| 1 | 40010709 | NF SHAFT BUSH R | | | | 1 |
| 2 | 40023568 | BUSHING | | | | 1 |
| 3 | CS1701181TP | THRUST COLLAR D=17 W=11 | | | | 1 |
| 4 | SM8060612TP | SCREW M6 L=6 | | | | 2 |
| 5 | TA0620504R0 | CAP | | | | 1 |
| 6 | 40143221 | NEEDLE_BAR_THREAD_GUIDE_2810A | FOR PLC-2710,2710-7 | | ☆ | 1 |
| 7 | 40143220 | NEEDLE_BAR_2810A | FOR PLC-2710,2710-7 | | | 1 |
| 8 | 21451406 | NEEDLE BAR | FOR PLC-2760,2760-7,2760L | | | 1 |
| 9 | 40127041 | NEEDLE_BAR_GUIDE | | | | 1 |
| 10 | SM6040650TP | SCREW | | | | 2 |
| 11 | 40112152 | NEEDLE_ROD_SQUARE_BLOCK | | | | 1 |
| 12 | SS7090910TP | SCREW 9/64-40 L=8.5 | | | | 1 |
| 13 | 40112273 | NEEDLE BAR CONNECTION | | | | 1 |
| 14 | 40136296 | N_B_ROCKING_BASE_ASM. | | | | 1 |
| 15 | SS8080410TP | SCREW 1/8-44 L=3.5 | FOR PLC-2710,2710-7 | | ☆ | 1 |
| 16 | CQ252000000 | OIL WICK | | | | 0.05 |
| 17 | 40112270 | FELT HOLDER | | | | 1 |
| 18 | 40112272 | NEEDLE_BAR_FELT_E | | | | 1 |
| 19 | M13517B1400 | NEEDLE 135X17 #140 | FOR PLC-2710,2710-7 | | ☆ | 1 |
| 20 | M13517B1400 | NEEDLE 135X17 #140 | FOR PLC-2760,2760-7 | | ☆ | 2 |
| 21 | B1438512B00 | WASHER 17.1X28X1.5 | SELECTIVE PARTS | | | 1 |
| 22 | 22606206 | SPACER Y | SELECTIVE PARTS | | | 1 |
| 23 | 22606305 | SPACER Z | SELECTIVE PARTS | | | 1 |
| 24 | 22607600 | SPACER A | SELECTIVE PARTS | | | 1 |
| 25 | 22607709 | SPACER B | SELECTIVE PARTS | | | 1 |
| 26 | 22607808 | SPACER D | SELECTIVE PARTS | | | 1 |
| 27 | 22607907 | SPACER E | SELECTIVE PARTS | | | 1 |
| 28 | 22606404 | SPACER F | SELECTIVE PARTS | | | 1 |
| 29 | SM4050501SC | SCREW M5X0.8 L=5 | | | | 1 |
| 30 | TA0500301R0 | PLUG 5X5.8 L=3 | | | | 4 |
| 31 | M13517B2000 | NEEDLE 135X17 #200 | FOR PLC-2760L | | | 2 |
| 32 | SS2060310SP | SCREW 3/32-56 L=3 | FOR PLC-2710,2710-7 | | | 1 |

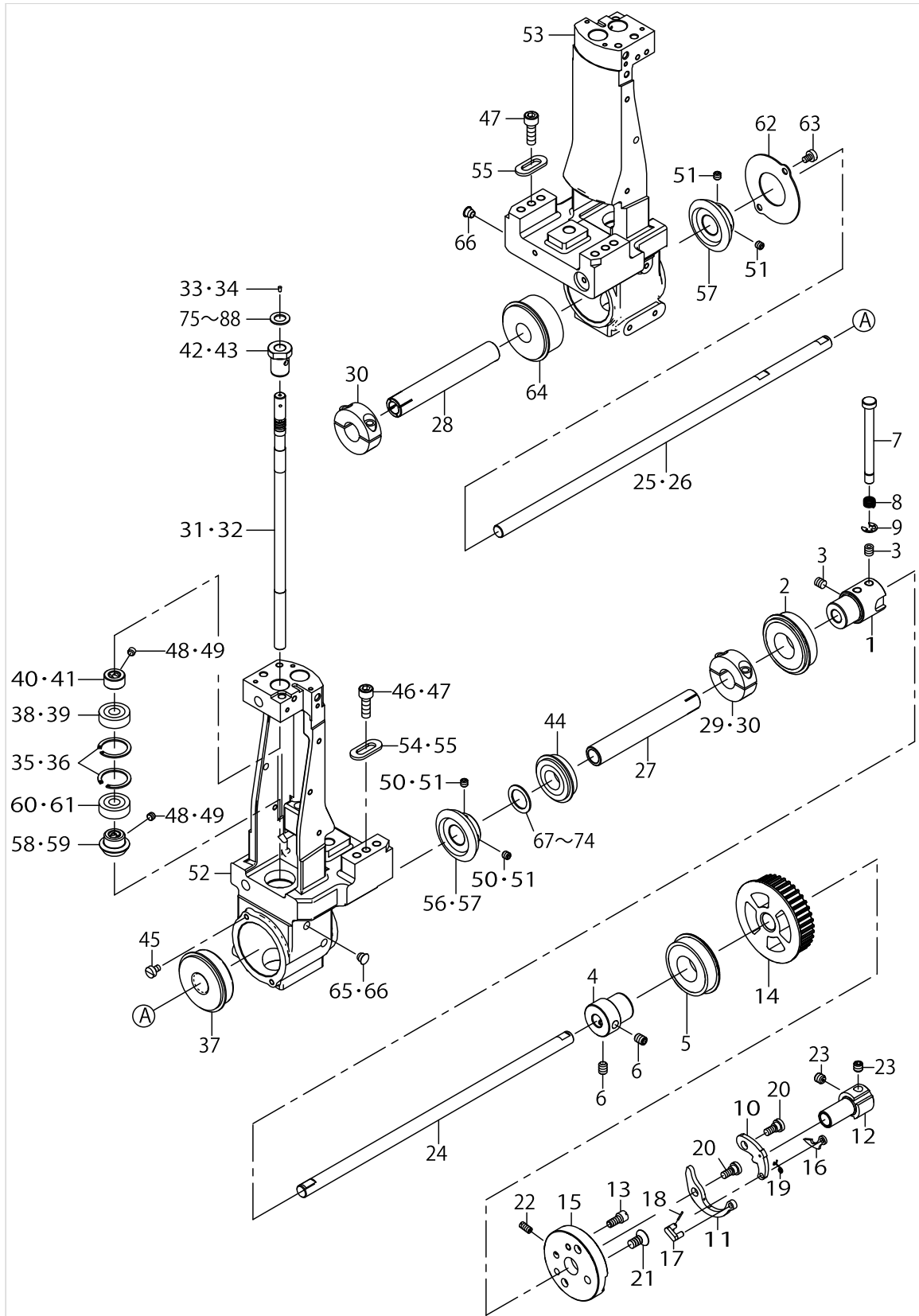
NEEDLE BAR COMPONENTS (FOR PLC-2765)



NEEDLE BAR COMPONENTS (FOR PLC-2765)

| No. | Parts No. | Parts name | Remarks | Level | Cons | Qty |
|-----|-------------|------------------------------|-----------------|-------|------|-----|
| 1 | 40010709 | NF SHAFT BUSH R | | | | 1 |
| 2 | 40023568 | BUSHING | | | | 1 |
| 3 | CS1701181TP | THRUST COLLAR D=17 W=11 | | | | 1 |
| 4 | SM8060612TP | SCREW M6 L=6 | | | | 2 |
| 5 | TA0620504R0 | CAP | | | | 1 |
| 6 | 40141331 | N_B_ROCKING_BASE_ASM_2865 | | | | 1 |
| 7 | 40032147 | NEEDLE_BAR_CONNECTION_ASM. | | * | | 1 |
| 8 | 40112152 | NEEDLE_ROD_SQUARE_BLOCK | | * | | 1 |
| 9 | 40138640 | NEEDLE_BAR_ROCKING_BASE_ASM. | | * | | 1 |
| 10 | 40127041 | NEEDLE_BAR_GUIDE | | * | | 1 |
| 11 | 40131644 | NEEDLE_BAR_CRANK_ROD | | * | | 1 |
| 12 | 40131649 | NEEDLE_BAR_ASM._LEFT | | * | | 1 |
| 13 | 40131651 | NEEDLE_BAR_ASM._RIGHT | | * | | 1 |
| 14 | SM6040650TP | SCREW | | * | | 2 |
| 15 | 22682702 | NEEDLE BAR SWIVEL STOPPER | | * | | 1 |
| 16 | 22681712 | STOPPER SCREW | | * | | 2 |
| 17 | SS4090715SP | SCREW 9/64-40 L=7 | | * | | 2 |
| 18 | 40131654 | FELT_GUIDE | | * | | 1 |
| 19 | WP0371016SD | WASHER 3.7X8X1 | | * | | 1 |
| 20 | SS4090715SP | SCREW 9/64-40 L=7 | | * | | 1 |
| 21 | 40131655 | OIL_GUARD_FELT | | * | | 1 |
| 22 | 22681407 | NEEDLE BAR STOPPER | | * | | 2 |
| 23 | 22681506 | SPRING | | * | | 2 |
| 24 | 40095222 | STOPPER_SPRING_COVER | | * | | 1 |
| 25 | SM4030455SP | SCREW | | * | | 1 |
| 26 | SB310000300 | BALL BEARING | | * | | 1 |
| 27 | TA0500301R0 | PLUG 5X5.8 L=3 | | | | 1 |
| 28 | M13517B1400 | NEEDLE 135X17 #140 | | | ☆ | 2 |
| 29 | 22686000 | NEEDLE BAR OIL SEAL FELT | | | | 1 |
| 30 | 40131656 | NEEDLE_BAR_OIL_SEAL_PLATE | | | | 1 |
| 31 | SS6060510TP | SCREW 3/32-56 L=4.5 | | | | 1 |
| 32 | 22607709 | SPACER B | | | | 1 |
| 33 | 11002904 | ROLLER FELT | | | | 2 |
| 34 | 40131653 | FELT_COVER | | | | 1 |
| 35 | SM6040602TP | SCREW M4X0.7 L=6 | | | | 2 |
| 36 | 40039629 | FELT | | | | 1 |
| 37 | 22682504 | SPRING BEARING | | | | 2 |
| 38 | 40028668 | RING_A | | | | 4 |
| 39 | 22681951 | SLIDER BLOCK ASM. A | SELECTIVE PARTS | | | 1 |
| 40 | 22682058 | SLIDER BLOCK ASM. B | SELECTIVE PARTS | | | 1 |
| 41 | 22682157 | SLIDER BLOCK ASM. C | SELECTIVE PARTS | | | 1 |
| 42 | 22682256 | SLIDER BLOCK ASM. D | SELECTIVE PARTS | | | 1 |
| 43 | 22682355 | SLIDER BLOCK ASM. E | SELECTIVE PARTS | | | 1 |
| 44 | 40117425 | SLIDER BLOCK ASM. F | SELECTIVE PARTS | | | 1 |
| 45 | 22681803 | SLIDE BLOCK GUIDE PLATE | | | | 1 |
| 46 | SS4090715SP | SCREW 9/64-40 L=7 | | | | 2 |

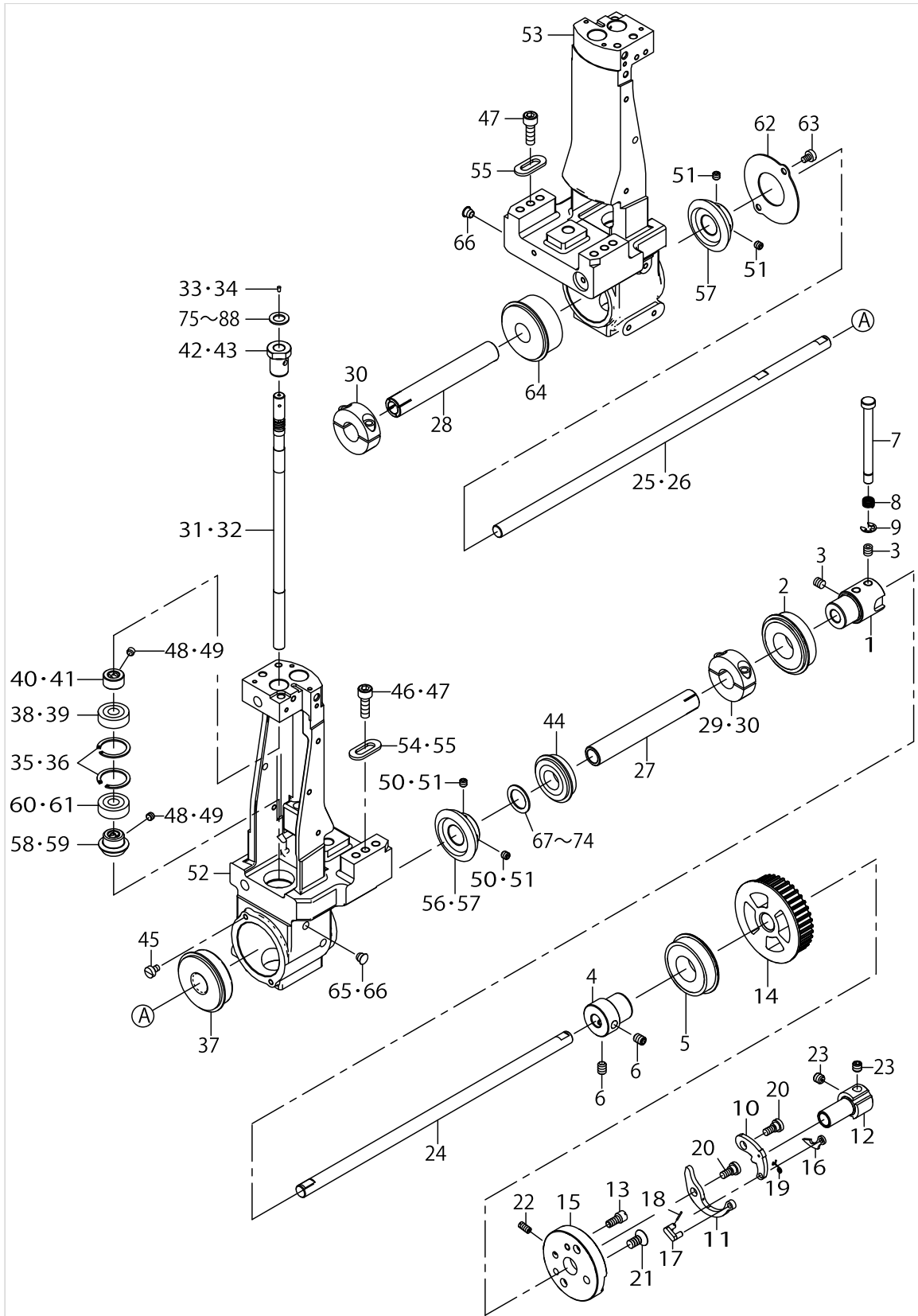
LOWER SHAFT COMPONENTS



LOWER SHAFT COMPONENTS

| No. | Parts No. | Parts name | Remarks | Level | Cons | Qty |
|-----|-------------|------------------------------|--------------------------------|-------|------|-----|
| 1 | 40130041 | CONNECTION_BUSH | | | | 1 |
| 2 | SB120001800 | BEARING | | | | 1 |
| 3 | SM8060812TP | SCREW M6 L=8 | | | | 4 |
| 4 | 40123247 | BEARING_COLLAR | | | | 1 |
| 5 | SB120001800 | BEARING | | | | 1 |
| 6 | SM8060812TP | SCREW M6 L=8 | | | | 2 |
| 7 | 40112240 | SAFETY_REVERSE_BUTTON | | | | 1 |
| 8 | B1639051000 | SPRING | | | | 1 |
| 9 | RE0500000K0 | E-RING | | | | 1 |
| 10 | 40144728 | SAFETY_CLUTCH_HOOK | | | | 1 |
| 11 | 21387709 | SAFETY CLUTCH SPRING | | | | 1 |
| 12 | 21387808 | SAFETY BASE | | | | 1 |
| 13 | 21387907 | ADJUSTING PIN (1.2) | | | | 1 |
| 14 | 40125862 | LOWER_SHAFT_SPROCKET | | | | 1 |
| 15 | 40126366 | CLUTCH_BASE | | | | 1 |
| 16 | B1308055000 | SAFETY CLUTCH COUNTER-HOOK | | | | 1 |
| 17 | B1310055000 | SAFETY CLUTCH SMALL LINK | | | | 1 |
| 18 | B1314055000 | SAFETY CLUTCH SMALL LINK PIN | | | | 1 |
| 19 | 40113224 | COUNTER HOOK SPRING | | | | 1 |
| 20 | SD0640322TP | HINGE SCREW D=6.35 H=3.2 | | | | 2 |
| 21 | SM1061201SN | SCREW M6 L=12 | | | | 2 |
| 22 | SS8111010TP | SCREW 11/64-40 L=9.5 | | | | 1 |
| 23 | SS8660612TP | SCREW 1/4-40 L=6 | | | | 2 |
| 24 | 40130042 | LOWER_SHAFT_A | | | | 1 |
| 25 | 40130043 | LOWER_SHAFT_B | FOR PLC-2710,2710-7 | | | 1 |
| 26 | 40130044 | LOWER_SHAFT_C | FOR PLC-2760,2760-7,2760L,2765 | | | 1 |
| 27 | 40112253 | LOWER_SHAFT_C | | | | 1 |
| 28 | 40126454 | LOWER_SHAFT_D | FOR PLC-2760,2760-7,2760L,2765 | | | 1 |
| 29 | 40152295 | LOWER_SHAFT_SET_COLLAR | FOR PLC-2710,2710-7 | | | 1 |
| 30 | 40152295 | LOWER_SHAFT_SET_COLLAR | FOR PLC-2760,2760-7,2760L,2765 | | | 2 |
| 31 | 40130035 | HOOK_SHAFT | FOR PLC-2710,2710-7 | | | 1 |
| 32 | 40130035 | HOOK_SHAFT | FOR PLC-2760,2760-7,2760L,2765 | | | 2 |
| 33 | TA0180401M0 | NEEDLE COOLER PLUG CAP | FOR PLC-2710,2710-7 | | | 1 |
| 34 | TA0180401M0 | NEEDLE COOLER PLUG CAP | FOR PLC-2760,2760-7,2760L,2765 | | | 2 |
| 35 | RC2351018KP | RETAINIG PIN 23.5 | FOR PLC-2710,2710-7 | | | 2 |
| 36 | RC2351018KP | RETAINIG PIN 23.5 | FOR PLC-2760,2760-7,2760L,2765 | | | 4 |
| 37 | G1216870000 | UPPER SHAFT REAR BEARING | | | | 1 |
| 38 | SB108000400 | BUSHING | FOR PLC-2710,2710-7 | | | 1 |
| 39 | SB108000400 | BUSHING | FOR PLC-2760,2760-7,2760L,2765 | | | 2 |
| 40 | CS0800881TP | THRUST COLLAR | FOR PLC-2710,2710-7 | | | 1 |
| 41 | CS0800881TP | THRUST COLLAR | FOR PLC-2760,2760-7,2760L,2765 | | | 2 |
| 42 | 40130036 | BUSHING | FOR PLC-2710,2710-7 | | | 1 |
| 43 | 40130036 | BUSHING | FOR PLC-2760,2760-7,2760L,2765 | | | 2 |
| 44 | SB115001000 | ROLLING BEARING | | | | 1 |
| 45 | SM6040650TP | SCREW | | | | 2 |
| 46 | SM6061802TP | SCREW M6 L=18 | FOR PLC-2710,2710-7 | | | 2 |
| 47 | SM6061802TP | SCREW M6 L=18 | FOR PLC-2760,2760-7,2760L,2765 | | | 4 |

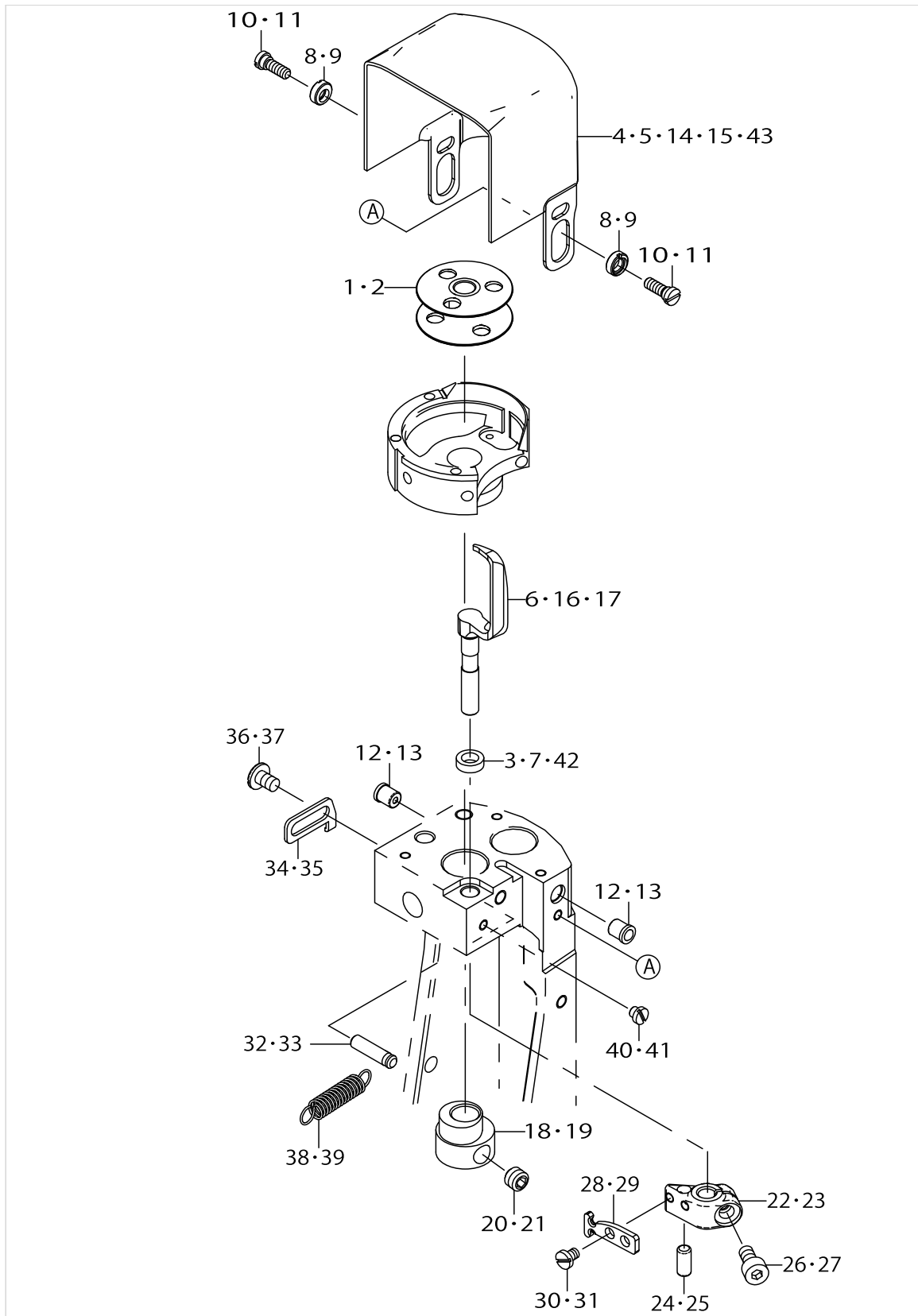
LOWER SHAFT COMPONENTS



LOWER SHAFT COMPONENTS

| No. | Parts No. | Parts name | Remarks | Level | Cons | Qty |
|-----|-------------|----------------------------------|--------------------------------|-------|------|-----|
| 48 | SM8050412TP | SCREW M5 L=4 | FOR PLC-2710,2710-7 | | | 4 |
| 49 | SM8050412TP | SCREW M5 L=4 | FOR PLC-2760,2760-7,2760L,2765 | | | 8 |
| 50 | SM80506A2TP | SCREW M5 L=6 | FOR PLC-2710,2710-7 | | | 2 |
| 51 | SM80506A2TP | SCREW M5 L=6 | FOR PLC-2760,2760-7,2760L,2765 | | | 4 |
| 52 | 40133882 | HOOK_SHAFT_BASE_R_COMPONENTS | | | | 1 |
| 53 | 40133883 | HOOK_SHAFT_BASE_L_COMPONENTS | FOR PLC-2760,2760-7,2760L,2765 | | | 1 |
| 54 | 40139042 | WASHER | FOR PLC-2710,2710-7 | | | 2 |
| 55 | 40139042 | WASHER | FOR PLC-2760,2760-7,2760L,2765 | | | 4 |
| 56 | 40126372 | LOWER_SHAFT_GEAR | FOR PLC-2710,2710-7 | | | 1 |
| 57 | 40126372 | LOWER_SHAFT_GEAR | FOR PLC-2760,2760-7,2760L,2765 | | | 2 |
| 58 | 40112242 | HOOK_SHAFT_GEAR | FOR PLC-2710,2710-7 | | | 1 |
| 59 | 40112242 | HOOK_SHAFT_GEAR | FOR PLC-2760,2760-7,2760L,2765 | | | 2 |
| 60 | SB108000400 | BUSHING | FOR PLC-2710,2710-7 | | | 1 |
| 61 | SB108000400 | BUSHING | FOR PLC-2760,2760-7,2760L,2765 | | | 2 |
| 62 | 40126455 | HOOK_SHAFT_BASE_COVER | FOR PLC-2760,2760-7,2760L,2765 | | | 1 |
| 63 | SM6040650TP | SCREW | FOR PLC-2760,2760-7,2760L,2765 | | | 2 |
| 64 | SB115002200 | BEARING | FOR PLC-2760,2760-7,2760L,2765 | | | 1 |
| 65 | TA0620504R0 | CAP | FOR PLC-2710,2710-7 | | | 2 |
| 66 | TA0620504R0 | CAP | FOR PLC-2760,2760-7,2760L,2765 | | | 4 |
| 67 | B122177100A | HIGH SPEED WASHER FOR BEARING | SELECTIVE PARTS | | | 1 |
| 68 | B122177100B | MAIN SHAFT THRUST WASHER B T=1.0 | SELECTIVE PARTS | | | 1 |
| 69 | B125578100C | WASHER C | SELECTIVE PARTS | | | 1 |
| 70 | B122177100D | MAIN SHAFT THRUST WASHER (D) | SELECTIVE PARTS | | | 1 |
| 71 | B122177100E | MAIN SHAFT THRUST WASHER (E) | SELECTIVE PARTS | | | 1 |
| 72 | B122177100F | MAIN SHAFT THRUST WASHER (F) | SELECTIVE PARTS | | | 1 |
| 73 | B122177100G | WASHER T=1.1 | SELECTIVE PARTS | | | 1 |
| 74 | B122177100H | WASHER T=1.3 | SELECTIVE PARTS | | | 1 |
| 75 | B255728000A | WASHER FOR DRIVING ARM | SELECTIVE PARTS | | | 1 |
| 76 | B255728000B | WASHER | SELECTIVE PARTS | | | 1 |
| 77 | B255728000C | WASHER | SELECTIVE PARTS | | | 1 |
| 78 | B255728000D | WASHER D | SELECTIVE PARTS | | | 1 |
| 79 | B255728000E | WASHER | SELECTIVE PARTS | | | 1 |
| 80 | 40138418 | WASHER T=1.3 | SELECTIVE PARTS | | | 1 |
| 81 | 40138419 | WASHER T=1.4 | SELECTIVE PARTS | | | 1 |
| 82 | 40138420 | WASHER T=1.5 | SELECTIVE PARTS | | | 1 |
| 83 | 40138421 | WASHER T=1.6 | SELECTIVE PARTS | | | 1 |
| 84 | 40138422 | WASHER T=1.7 | SELECTIVE PARTS | | | 1 |
| 85 | 40138423 | WASHER T=1.8 | SELECTIVE PARTS | | | 1 |
| 86 | 40143185 | WASHER_T=0.5 | SELECTIVE PARTS | | | 1 |
| 87 | 40143188 | WASHER_T=0.6 | SELECTIVE PARTS | | | 1 |
| 88 | 40143581 | WASHER_T=0.7 | SELECTIVE PARTS | | | 1 |

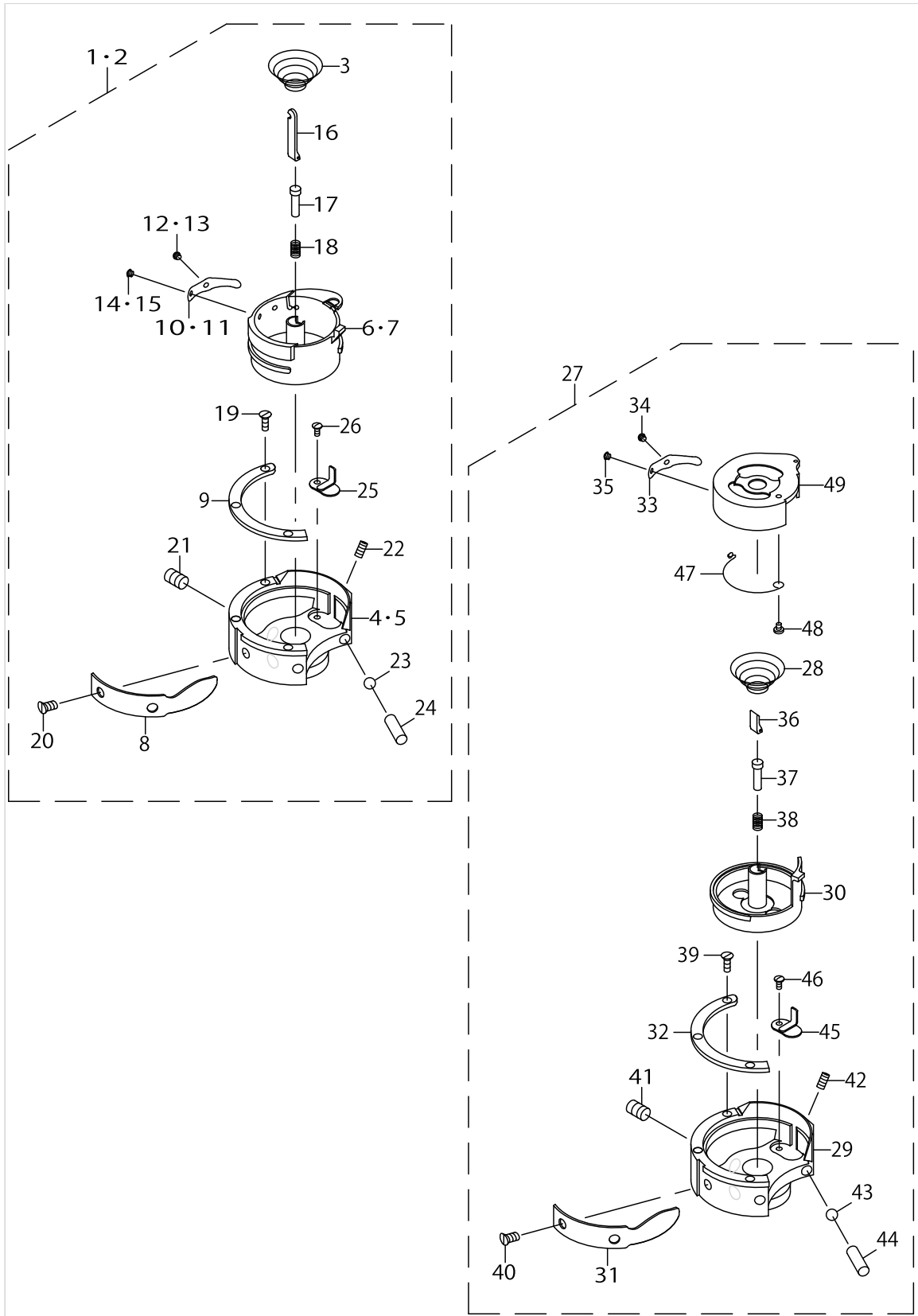
OPENNER COMPONENTS



OPENNER COMPONENTS

| No. | Parts No. | Parts name | Remarks | Level | Cons | Qty |
|-----|-------------|----------------------------|--------------------------------|-------|------|-----|
| 1 | 21334800 | ALUMINUM BOBBIN WITH KNURL | FOR PLC-2710,2710-7 | | ☆ | 1 |
| 2 | 21334800 | ALUMINUM BOBBIN WITH KNURL | FOR PLC-2760,2760-7,2765,2760L | | ☆ | 2 |
| 3 | 40134531 | SPACER | FORPLC-2760,2760L | | | 2 |
| 4 | 40137886 | HOOK_COVER ASM. | FOR PLC-2710 | | | 1 |
| 5 | 40137886 | HOOK_COVER ASM. | FORPLC-2760,2760L | | | 2 |
| 6 | 40137923 | OPENER 2765 | FOR PLC-2765 | | | 1 |
| 7 | 40134531 | SPACER | FOR PLC-2710 | | | 1 |
| 8 | 23007503 | ECCENTRIC ROLLER | FOR PLC-2710,2710-7 | | | 2 |
| 9 | 23007503 | ECCENTRIC ROLLER | FOR PLC-2760,2760-7,2765,2760L | | | 4 |
| 10 | 40163121 | HINGE_SCREW | FOR PLC-2710,2710-7 | | | 2 |
| 11 | 40163121 | HINGE_SCREW | FOR PLC-2760,2760-7,2765,2760L | | | 4 |
| 12 | 40130048 | BALL_PLUNGER | FOR PLC-2710,2710-7 | | | 2 |
| 13 | 40130048 | BALL_PLUNGER | FOR PLC-2760,2760-7,2765,2760L | | | 4 |
| 14 | 40130040 | HOOK_COVER | FOR PLC-2710-7 | | | 1 |
| 15 | 40130040 | HOOK_COVER | FOR PLC-2760-7 | | | 2 |
| 16 | 40130027 | OPENER | FOR PLC-2710,2710-7 | | ☆ | 1 |
| 17 | 40130027 | OPENER | FOR PLC-2760,2760-7,2760L | | ☆ | 2 |
| 18 | 40130031 | OPENER_CAM | FOR PLC-2710,2710-7 | | | 1 |
| 19 | 40130031 | OPENER_CAM | FOR PLC-2760,2760-7,2765,2760L | | | 2 |
| 20 | SM8060552TP | SCREW M6 L=5 | FOR PLC-2710,2710-7 | | | 1 |
| 21 | SM8060552TP | SCREW M6 L=5 | FOR PLC-2760,2760-7,2765,2760L | | | 2 |
| 22 | 40130028 | OPENER_ARM | FOR PLC-2710,2710-7 | | | 1 |
| 23 | 40130028 | OPENER_ARM | FOR PLC-2760,2760-7,2765,2760L | | | 2 |
| 24 | B3019816000 | PIN | FOR PLC-2710,2710-7 | | | 1 |
| 25 | B3019816000 | PIN | FOR PLC-2760,2760-7,2765,2760L | | | 2 |
| 26 | SM6040802TP | SCREW M4X0.7 L=8 | FOR PLC-2710,2710-7 | | | 1 |
| 27 | SM6040802TP | SCREW M4X0.7 L=8 | FOR PLC-2760,2760-7,2765,2760L | | | 2 |
| 28 | 40130030 | SPRING_RACK | FOR PLC-2710,2710-7 | | | 1 |
| 29 | 40130030 | SPRING_RACK | FOR PLC-2760,2760-7,2765,2760L | | | 2 |
| 30 | SM6030450TP | SCREW M3 L=4 | FOR PLC-2710,2710-7 | | | 2 |
| 31 | SM6030450TP | SCREW M3 L=4 | FOR PLC-2760,2760-7,2765,2760L | | | 4 |
| 32 | 18219105 | DW PIN 4X16 | FOR PLC-2710,2710-7 | | | 1 |
| 33 | 18219105 | DW PIN 4X16 | FOR PLC-2760,2760-7,2765,2760L | | | 2 |
| 34 | 40163259 | H_C_STOPPER | FOR PLC-2710,2710-7 | | | 1 |
| 35 | 40163259 | H_C_STOPPER | FOR PLC-2760,2760-7,2765,2760L | | | 2 |
| 36 | SM6040650TP | SCREW | FOR PLC-2710,2710-7 | | | 2 |
| 37 | SM6040650TP | SCREW | FOR PLC-2760,2760-7,2765,2760L | | | 4 |
| 38 | 40133718 | SPRING | FOR PLC-2710,2710-7 | | | 1 |
| 39 | 40133718 | SPRING | FOR PLC-2760,2760-7,2765,2760L | | | 2 |
| 40 | SS6080320SP | SCREW 1/8-44 L=2.5 | FOR PLC-2710,2710-7 | | | 1 |
| 41 | SS6080320SP | SCREW 1/8-44 L=2.5 | FOR PLC-2760,2760-7,2765,2760L | | | 2 |
| 42 | 40137930 | SPACER | FOR PLC-2765 | | | 2 |
| 43 | 40141066 | HOOK_COVER_ASM_B | FOR PLC-2765 | | | 2 |

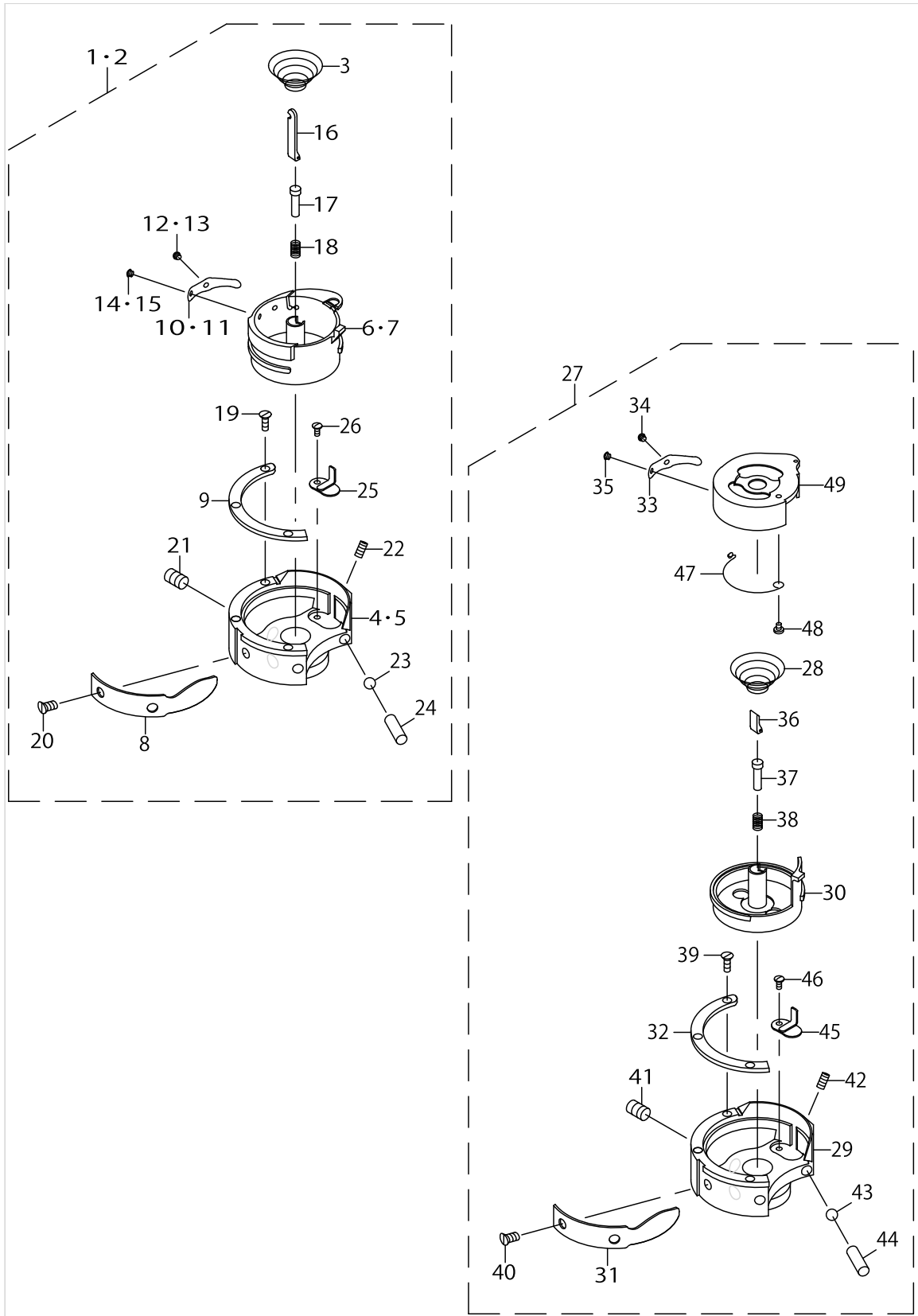
HOOK COMPONENTS



HOOK COMPONENTS

| No. | Parts No. | Parts name | Remarks | Level | Cons | Qty |
|-----|-----------|-------------------------------|-------------------------|-------|------|-----|
| 1 | 40130034 | TRM_HOOK_ASM. | FOR PLC-2710-7,2760-7 | | | 1 |
| 2 | 40126399 | HOOK_ASM. | FOR PLC-2710,2760,2760L | | | 1 |
| 3 | 40079912 | IDLING PRIVENTION SPRING | | * | | 1 |
| 4 | 40148039 | OUTER_HOOK | FOR PLC-2710-7,2760-7 | * | | 1 |
| 5 | 40148031 | OUTER_HOOK | FOR PLC-2710,2760,2760L | * | | 1 |
| 6 | 40148041 | INNER_HOOK | FOR PLC-2710-7,2760-7 | * | | 1 |
| 7 | 40148032 | INNER_HOOK | FOR PLC-2710,2760,2760L | * | | 1 |
| 8 | 40079896 | NEEDLE HOLDER | | * | | 1 |
| 9 | 40148033 | INNER_HOOK_HOLDER | | * | | 1 |
| 10 | 40184941 | TENTION_SPRING | FOR PLC-2710-7,2760-7 | * | | 1 |
| 11 | 40148034 | TENTION_SPRING | FOR PLC-2710,2760,2760L | * | | 1 |
| 12 | 40079899 | ADJUSTING_SCREW | FOR PLC-2710-7,2760-7 | * | | 1 |
| 13 | 40148035 | ADJUSTING_SCREW | FOR PLC-2710,2760,2760L | * | | 1 |
| 14 | 40079900 | TENTION_SPRING_SETSCREW | FOR PLC-2710-7,2760-7 | * | | 1 |
| 15 | 40148036 | TENTION_SPRING_SETSCREW | FOR PLC-2710,2760,2760L | * | | 1 |
| 16 | 40079901 | BOBBIN_PRESSER | | * | | 1 |
| 17 | 40079902 | PRESSER LIFTER | | * | | 1 |
| 18 | 40079903 | PRESSER LIFTER SPRING | | * | | 1 |
| 19 | 40079904 | INNER HOOK HOLDER SETSCREW | | * | | 3 |
| 20 | 40079905 | NEEDLE HOLDER SETSCREW | | * | | 2 |
| 21 | 40075542 | OUTER_HOOK_SETSCREW | | * | | 2 |
| 22 | 40079909 | NEEDLE HOLDER ADJUSTING SCREW | | * | | 1 |
| 23 | 40148037 | BALL | | * | | 1 |
| 24 | 40148038 | SLIDE_PIN | | * | | 1 |
| 25 | 40075548 | OIL_COVER | | * | | 1 |
| 26 | 40075547 | OIL_COVER_SETSCREW | | * | | 1 |
| 27 | 40134795 | HOOK_ASM..65 | FOR PLC-2765 | | | 1 |
| 28 | 40079912 | IDLING PRIVENTION SPRING | | * | | 1 |
| 29 | 40148031 | OUTER_HOOK | | * | | 1 |
| 30 | 40148042 | INNER_HOOK | | * | | 1 |
| 31 | 40079896 | NEEDLE HOLDER | | * | | 1 |
| 32 | 40148033 | INNER_HOOK_HOLDER | | * | | 1 |
| 33 | 40148043 | TENTION_SPRING | | * | | 1 |
| 34 | 40148035 | ADJUSTING_SCREW | | * | | 1 |
| 35 | 40148036 | TENTION_SPRING_SETSCREW | | * | | 1 |
| 36 | 40148044 | BOBBIN_PRESSER | | * | | 1 |
| 37 | 40079902 | PRESSER LIFTER | | * | | 1 |
| 38 | 40079903 | PRESSER LIFTER SPRING | | * | | 1 |
| 39 | 40079904 | INNER HOOK HOLDER SETSCREW | | * | | 3 |
| 40 | 40079905 | NEEDLE HOLDER SETSCREW | | * | | 2 |
| 41 | 40075542 | OUTER_HOOK_SETSCREW | | * | | 2 |
| 42 | 40079909 | NEEDLE HOLDER ADJUSTING SCREW | | * | | 1 |
| 43 | 40148037 | BALL | | * | | 1 |
| 44 | 40148038 | SLIDE_PIN | | * | | 1 |
| 45 | 40075548 | OIL_COVER | | * | | 1 |
| 46 | 40075547 | OIL_COVER_SETSCREW | | * | | 1 |
| 47 | 40148045 | ABSORPTION_SPRING | | * | | 1 |

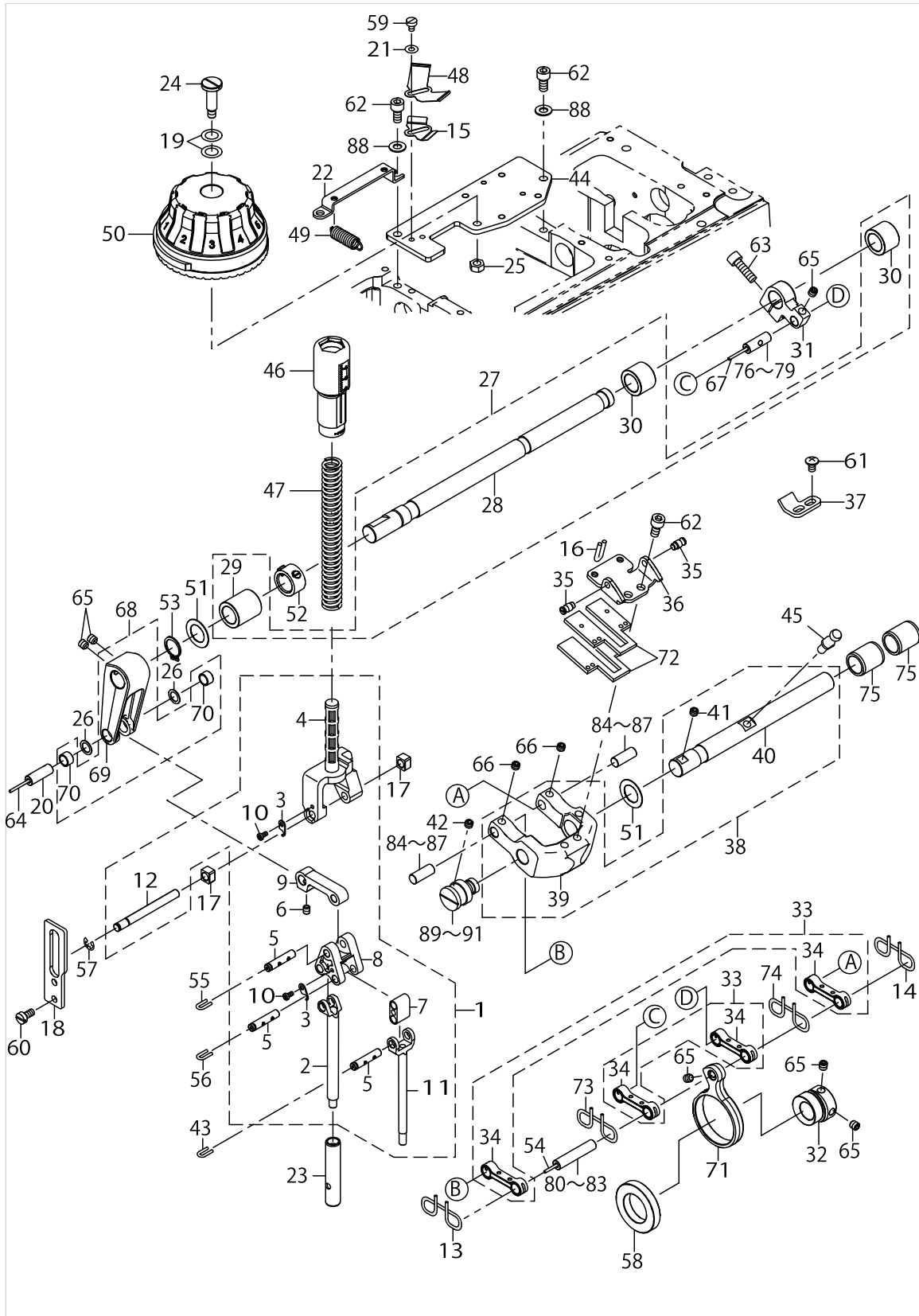
HOOK COMPONENTS



HOOK COMPONENTS

| No. | Parts No. | Parts name | Remarks | Level | Cons | Qty |
|-----|-----------|-------------------------|---------|-------|------|-----|
| 48 | 40148046 | ABSORPTION_SPRING_SCREW | | * | | 1 |
| 49 | 40148047 | CAP | | * | | 1 |

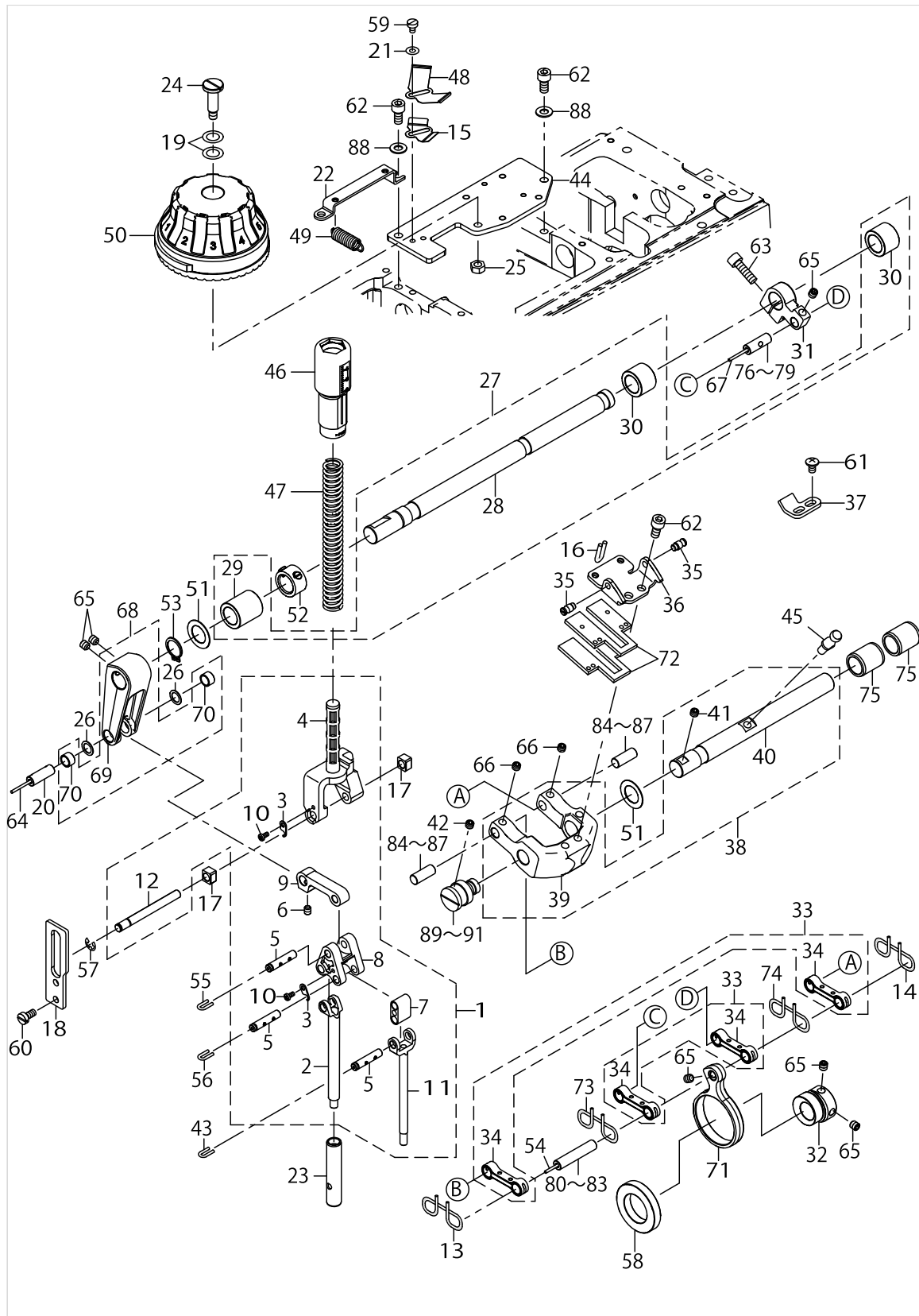
UPPER FEED COMPONENTS



UPPER FEED COMPONENTS

| No. | Parts No. | Parts name | Remarks | Level | Cons | Qty |
|-----|-------------|------------------------------|---------|-------|------|-------|
| 1 | 40144289 | UPPER_FEED_F_ASM_E | | | | 1 |
| 2 | 40125861 | PRESSURE_BAR_E | | * | | 1 |
| 3 | 10710804 | TRIANGLE LEVER SHAFT STOPPER | | * | | 2 |
| 4 | 40144287 | SPRING_RECEIVING_E_ASM | | * | | 1 |
| 5 | 40112176 | CONNECTION_PIN | | * | | 3 |
| 6 | SM8050612TP | SCREW M5X6 | | * | | 1 |
| 7 | 40176628 | WALKING_BAR_DRIVING_LINK | | * | | 1 |
| 8 | 40125852 | TRIANGULAR_LEVER | | * | | 1 |
| 9 | 40125854 | UPPER_FEED_LINK_A | | * | | 1 |
| 10 | SM4030601SN | SCREW M3X6 | | * | | 2 |
| 11 | 40125937 | WALKING_BAR_E | | * | | 1 |
| 12 | 40126166 | PRESSER_BAR_GUIDE_SHAFT | | * | | 1 |
| 13 | CQ202000000 | OIL WICK | | | | 0.25 |
| 14 | CQ202000000 | OIL WICK | | | | 0.25 |
| 15 | 40154199 | LEAF_SPRING_ADJUSTING_PLATE | | | | 1 |
| 16 | CQ202000000 | OIL WICK | | | | 0.1 |
| 17 | 40090058 | SLIDE BLOCK | | | | 2 |
| 18 | 40125943 | PRESSER ROD GUIDE | | | | 1 |
| 19 | 40023627 | PRESSER PLATE SHEET WASHER | | | | 2 |
| 20 | 40123634 | ROCKING_LINK_PIN | | | | 1 |
| 21 | WP0430800SD | WASHER M4 | | | | 4 |
| 22 | 40125867 | SPRING_HOOK | | | | 1 |
| 23 | 40171574 | PRESSER_BAR_BUSHING | | | | 1 |
| 24 | SD0802126TP | SHOULDER SCREW D=8 H=21.2 | | | | 1 |
| 25 | NM6060001SD | NUT M6 | | | | 1 |
| 26 | E2613700000 | WASHER | | | | 2 |
| 27 | 40123319 | UPPER_FEED_SHAFT_ASM. | | | | 1 |
| 28 | 40123262 | UPPER_FEED_SHAFT | | * | | 1 |
| 29 | 40123320 | UPPER_FEED_SHAFT_METAL_F | | * | | 1 |
| 30 | 40123321 | UPPER_FEED_SHAFT_METAL_R | | * | | 2 |
| 31 | 40126160 | UPPER_FEED_REAR_ARM | | | | 1 |
| 32 | 40126390 | UPPER_FEED_CAM | | | | 1 |
| 33 | 40126338 | CONNECTION_LINK_ASM. | | | | 2 |
| 34 | 40126223 | CONNECTION_LINK | | * | | 1 |
| 35 | 40038494 | THREAD_BIND_ARM_SPRING RAC | | | | 2 |
| 36 | 40126269 | CHANGE_BASE_SPRING_RACK | | | | 1 |
| 37 | 40126264 | CHANGE_BASE_STOPPER | | | | 1 |
| 38 | 40123416 | UPPER_FEED_CHANGE_BASE_ASM. | | | | 1 |
| 39 | 40123414 | UPPER_FEED_CHANGE_BASE | | * | | 1 |
| 40 | 40123555 | UF_CHANGE_BASE_SHAFT | | * | | 1 |
| 41 | SM80608A2TP | SCREW M6 L=8 | | * | | 1 |
| 42 | SM80608A2TP | SCREW M6 L=8 | | | | 1 |
| 43 | CQ252000000 | OIL WICK | | | | 0.048 |
| 44 | 40125868 | INSTALLING_PLATE | | | | 1 |
| 45 | 40126374 | VERTICAL_ADJUSTING_PIN | | | | 1 |
| 46 | 40125926 | PRESSER_ADJUSTING_SCREW | | | | 1 |
| 47 | 40112197 | PRESSER_SPRING | | | | 1 |

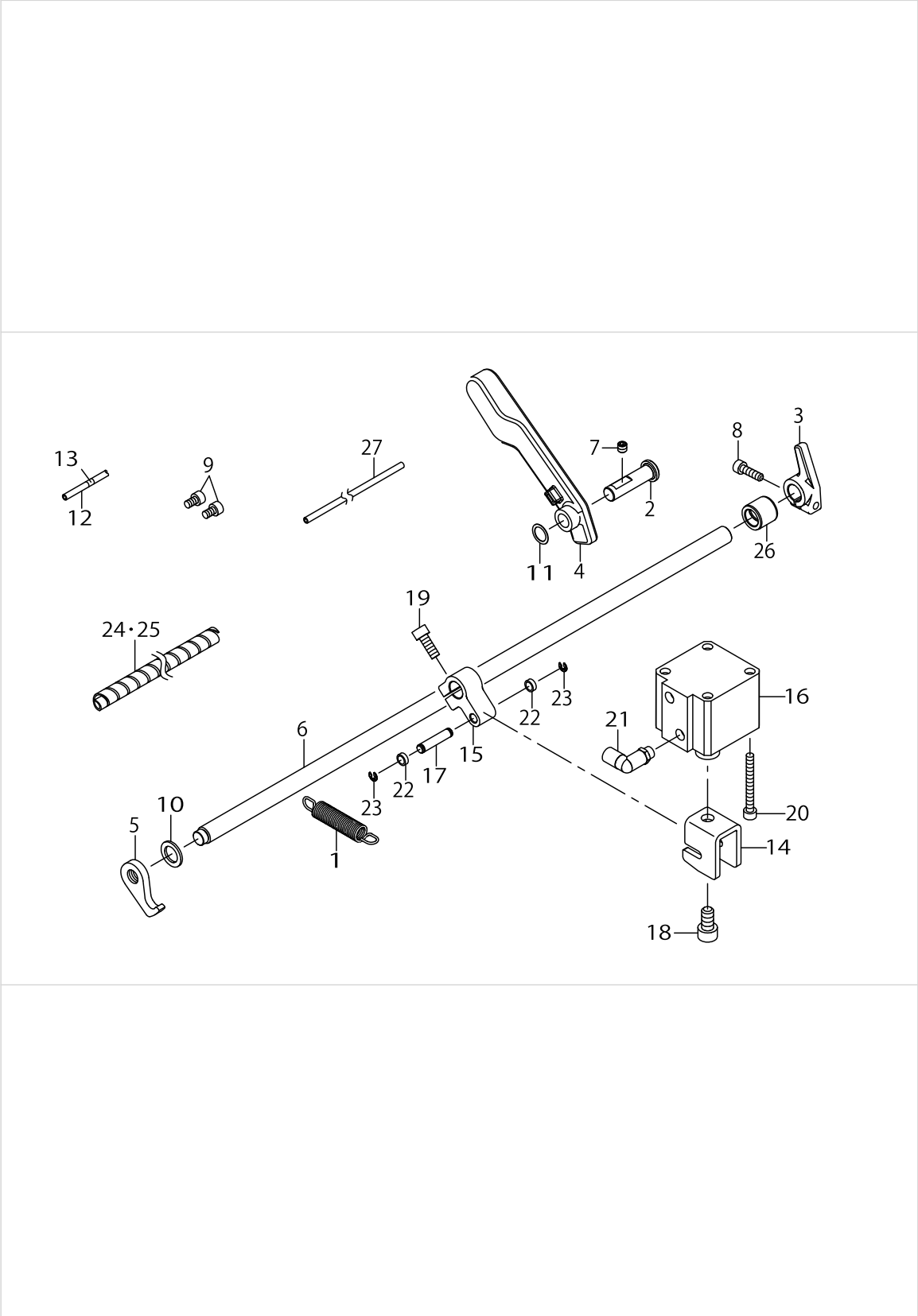
UPPER FEED COMPONENTS



UPPER FEED COMPONENTS

| No. | Parts No. | Parts name | Remarks | Level | Cons | Qty |
|-----|-------------|-------------------------------|-----------------|-------|------|-------|
| 48 | 40112199 | LEAF_SPRING | | | | 1 |
| 49 | 40126400 | SPRING | | | | 2 |
| 50 | 40125850 | VERTICAL_DIAL(VE) | | | | 1 |
| 51 | D1231555B00 | WASHER | | | | 2 |
| 52 | 22904155 | MAIN SHAFT THRUST COLLAR ASM. | | | | 1 |
| 53 | RC0150001KP | RETAINING RING 13.8 | | | | 1 |
| 54 | CQ202000000 | OIL WICK | | | | 0.042 |
| 55 | CQ252000000 | OIL WICK | | | | 0.048 |
| 56 | CQ252000000 | OIL WICK | | | | 0.048 |
| 57 | RE0500000K0 | E-RING | | | | 1 |
| 58 | SB125000600 | BEARING | | | | 1 |
| 59 | SM6040650TP | SCREW | | | | 2 |
| 60 | SM6051000SP | SCREW | | | | 2 |
| 61 | SM0050801SC | SCREW | | | | 2 |
| 62 | SM6061202TP | SCREW M6 L=12 | | | | 5 |
| 63 | SM6062002TP | SCREW M6 L=20 | | | | 1 |
| 64 | CQ202000000 | OIL WICK | | | | 0.02 |
| 65 | SM8060612TP | SCREW M6 L=6 | | | | 6 |
| 66 | SM8060552TP | SCREW M6 L=5 | | | | 2 |
| 67 | CQ202000000 | OIL WICK | | | | 0.02 |
| 68 | 40126159 | UPPER_FEED_FRONT_ARM_ASM. | | | | 1 |
| 69 | 40126157 | UPPER_FEED_FRONT_ARM | | * | | 1 |
| 70 | 40126158 | UPPER_FEED_FRONT_ARM_BUSH | | * | | 2 |
| 71 | 40125876 | UPPER_FEED_CAM_ROD | | | | 1 |
| 72 | 40123345 | FELT | | | | 2 |
| 73 | CQ202000000 | OIL WICK | | | | 0.25 |
| 74 | CQ202000000 | OIL WICK | | | | 0.25 |
| 75 | 22913008 | FEED ROCKER SHAFT BUSHING | | | | 2 |
| 76 | 40149115 | ROCKING_LINK_PIN_A | SELECTIVE PARTS | | | 1 |
| 77 | 40149116 | ROCKING_LINK_PIN_B | SELECTIVE PARTS | | | 1 |
| 78 | 40149117 | ROCKING_LINK_PIN_C | SELECTIVE PARTS | | | 1 |
| 79 | 40149118 | ROCKING_LINK_PIN_D | SELECTIVE PARTS | | | 1 |
| 80 | 40149125 | FEED_ROD_PIN_A | SELECTIVE PARTS | | | 1 |
| 81 | 40149126 | FEED_ROD_PIN_B | SELECTIVE PARTS | | | 1 |
| 82 | 40149127 | FEED_ROD_PIN_C | SELECTIVE PARTS | | | 1 |
| 83 | 40149128 | FEED_ROD_PIN_D | SELECTIVE PARTS | | | 1 |
| 84 | 40149121 | FEED_ADJUSTING_PIN_B | SELECTIVE PARTS | | | 1 |
| 85 | 40149122 | FEED_ADJUSTING_PIN_C | SELECTIVE PARTS | | | 1 |
| 86 | 40149123 | FEED_ADJUSTING_PIN_D | SELECTIVE PARTS | | | 1 |
| 87 | 40149120 | FEED_ADJUSTING_PIN_A | SELECTIVE PARTS | | | 2 |
| 88 | WP0651001SC | WASHER | | | | 2 |
| 89 | 40145548 | UF_CHANGE_BASE_SUPPORT_PIN_A | SELECTIVE PARTS | | | 1 |
| 90 | 40145549 | UF_CHANGE_BASE_SUPPORT_PIN_B | SELECTIVE PARTS | | | 1 |
| 91 | 40145550 | UF_CHANGE_BASE_SUPPORT_PIN_C | SELECTIVE PARTS | | | 1 |

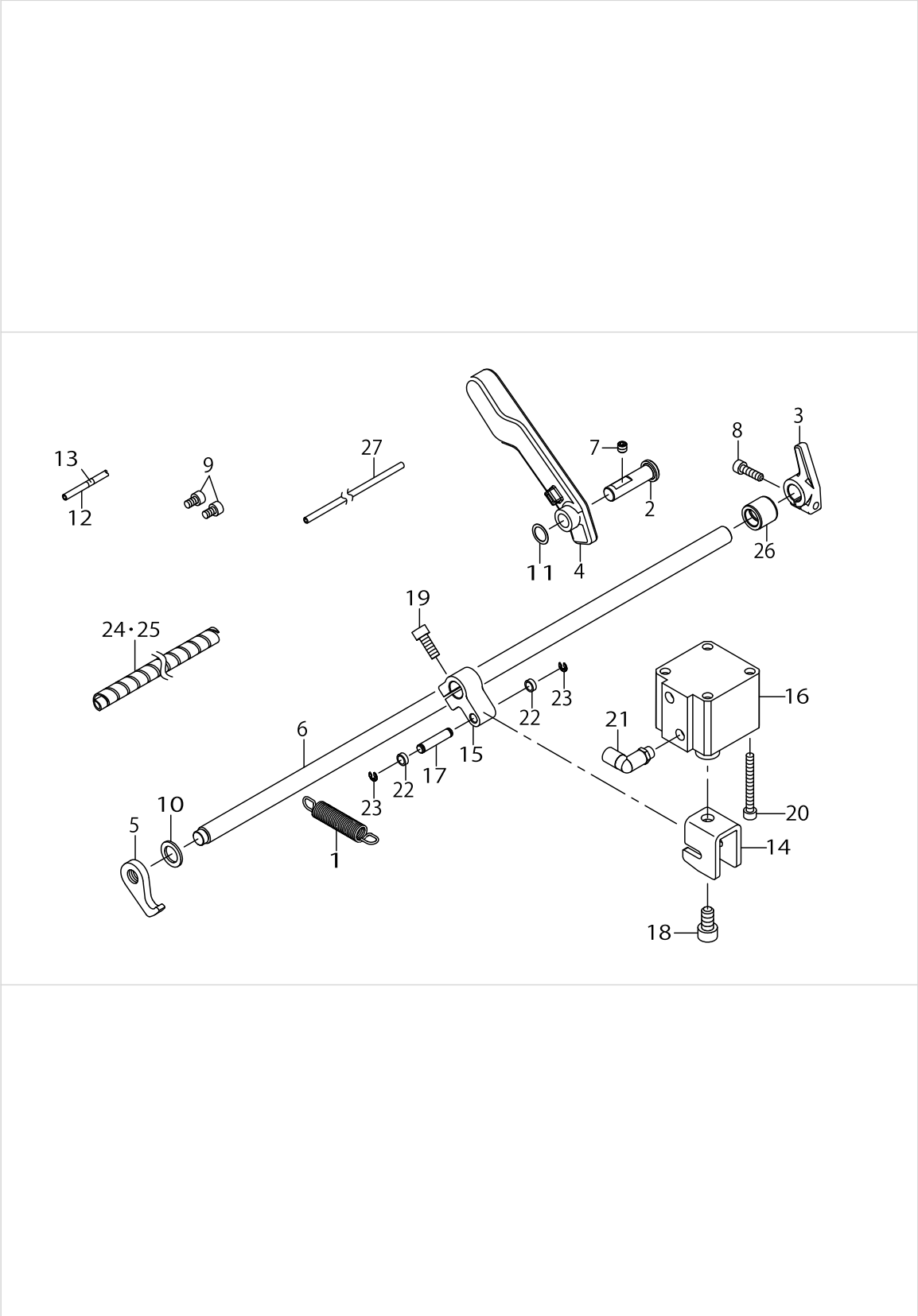
HAND LIFTER & AUTO LIFTER COMPONENTS



HAND LIFTER & AUTO LIFTER COMPONENTS

| No. | Parts No. | Parts name | Remarks | Level | Cons | Qty |
|-----|-------------|----------------------|---|-------|------|-----|
| 1 | 40126367 | SPRING | | | | 1 |
| 2 | 40006716 | THREAD_TRIMMER_SHAFT | | | | 1 |
| 3 | 40112184 | LIFTER_LEVER_A | | | | 1 |
| 4 | 40126150 | LIFTER_LEVER_B | | | | 1 |
| 5 | 40144283 | LIFTER_PLATE | | | | 1 |
| 6 | 40126364 | LIFTER_SHAFT | | | | 1 |
| 7 | SM8060612TP | SCREW M6 L=6 | | | | 1 |
| 8 | SM6051802TP | SCREW M5 L=18 | | | | 1 |
| 9 | SM6050802TP | SCREW M5X0.8 L=8 | | | | 2 |
| 10 | 13409107 | WASHER | | | | 1 |
| 11 | WZ1052010KP | WAVED WASHER | | | | 1 |
| 12 | BT0400251EB | URETHANE HOSE BLACK | FOR PLC-2710-7,2760-7 | | | 1 |
| 13 | 18035907 | WIRE MARK (10) | FOR PLC-2710-7,2760-7, 2710(WITH AK), 2710(WITH AK,BT,DL), 2760(WITH AK), 2760(WITH AK,BT,DL), 2760L(WITH AK), 2760L(WITH AK,BT,DL), 2765(WITH AK), 2765(WITH AK,BT,DL) | | | 2 |
| 14 | 40112187 | KNUCKLE_JOINT_A | FOR PLC-2710-7,2760-7, 2710(WITH AK), 2710(WITH AK,BT,DL), 2760(WITH AK), 2760(WITH AK,BT,DL), 2760L(WITH AK), 2760L(WITH AK,BT,DL), 2765(WITH AK), 2765(WITH AK,BT,DL) | | | 1 |
| 15 | 40112188 | LIFTING_ARM | FOR PLC-2710-7,2760-7, 2710(WITH AK), 2710(WITH AK,BT,DL), 2760(WITH AK), 2760(WITH AK,BT,DL), 2760L(WITH AK), 2760L(WITH AK,BT,DL), 2765(WITH AK), 2765(WITH AK,BT,DL) | | | 1 |
| 16 | PA400150200 | AIR CYLINDER | FOR PLC-2710-7,2760-7, 2710(WITH AK), 2710(WITH AK,BT,DL), 2760(WITH AK), 2760(WITH AK,BT,DL), 2760L(WITH AK), 2760L(WITH AK,BT,DL), 2765(WITH AK), 2765(WITH AK,BT,DL) | | | 1 |
| 17 | 22949101 | ROLLER FULCRUM SHAFT | FOR PLC-2710-7,2760-7, 2710(WITH AK), 2710(WITH AK,BT,DL), 2760(WITH AK), 2760(WITH AK,BT,DL), 2760L(WITH AK), 2760L(WITH AK,BT,DL), 2765(WITH AK), 2765(WITH AK,BT,DL) | | | 1 |
| 18 | SM6081552TP | SCREW M8 L=15 | FOR PLC-2710-7,2760-7, 2710(WITH AK), 2710(WITH AK,BT,DL), 2760(WITH AK), 2760(WITH AK,BT,DL), 2760L(WITH AK), 2760L(WITH AK,BT,DL), 2765(WITH AK), 2765(WITH AK,BT,DL) | | | 1 |
| 19 | SM6061602TP | SCREW M6 L=16 | FOR PLC-2710-7,2760-7, 2710(WITH AK), 2710(WITH AK,BT,DL), 2760(WITH AK), 2760(WITH AK,BT,DL), 2760L(WITH AK), 2760L(WITH AK,BT,DL), 2765(WITH AK), 2765(WITH AK,BT,DL) | | | 1 |
| 20 | SM6054502TN | SCREW M5 L=45 | FOR PLC-2710-7,2760-7, 2710(WITH AK), 2710(WITH AK,BT,DL), 2760(WITH AK), 2760(WITH AK,BT,DL), 2760L(WITH AK), 2760L(WITH AK,BT,DL), 2765(WITH AK), 2765(WITH AK,BT,DL) | | | 4 |
| 21 | PJ304045102 | ELBOW UNION C | FOR PLC-2710-7,2760-7, 2710(WITH AK), 2710(WITH AK,BT,DL), 2760(WITH AK), 2760(WITH AK,BT,DL), 2760L(WITH AK), 2760L(WITH AK,BT,DL), 2765(WITH AK), 2765(WITH AK,BT,DL) | | | 1 |
| 22 | 13951009 | PRESSER FOOT ROLLER | FOR PLC-2710-7,2760-7, 2710(WITH AK), 2710(WITH AK,BT,DL), 2760(WITH AK), 2760(WITH AK,BT,DL), 2760L(WITH AK), 2760L(WITH AK,BT,DL), 2765(WITH AK), 2765(WITH AK,BT,DL) | | | 2 |
| 23 | RE0400000K0 | E-RING 4 | FOR PLC-2710-7,2760-7, 2710(WITH AK), 2710(WITH AK,BT,DL), 2760(WITH AK), 2760(WITH AK,BT,DL), 2760L(WITH AK), 2760L(WITH AK,BT,DL), 2765(WITH AK), 2765(WITH AK,BT,DL) | | | 2 |

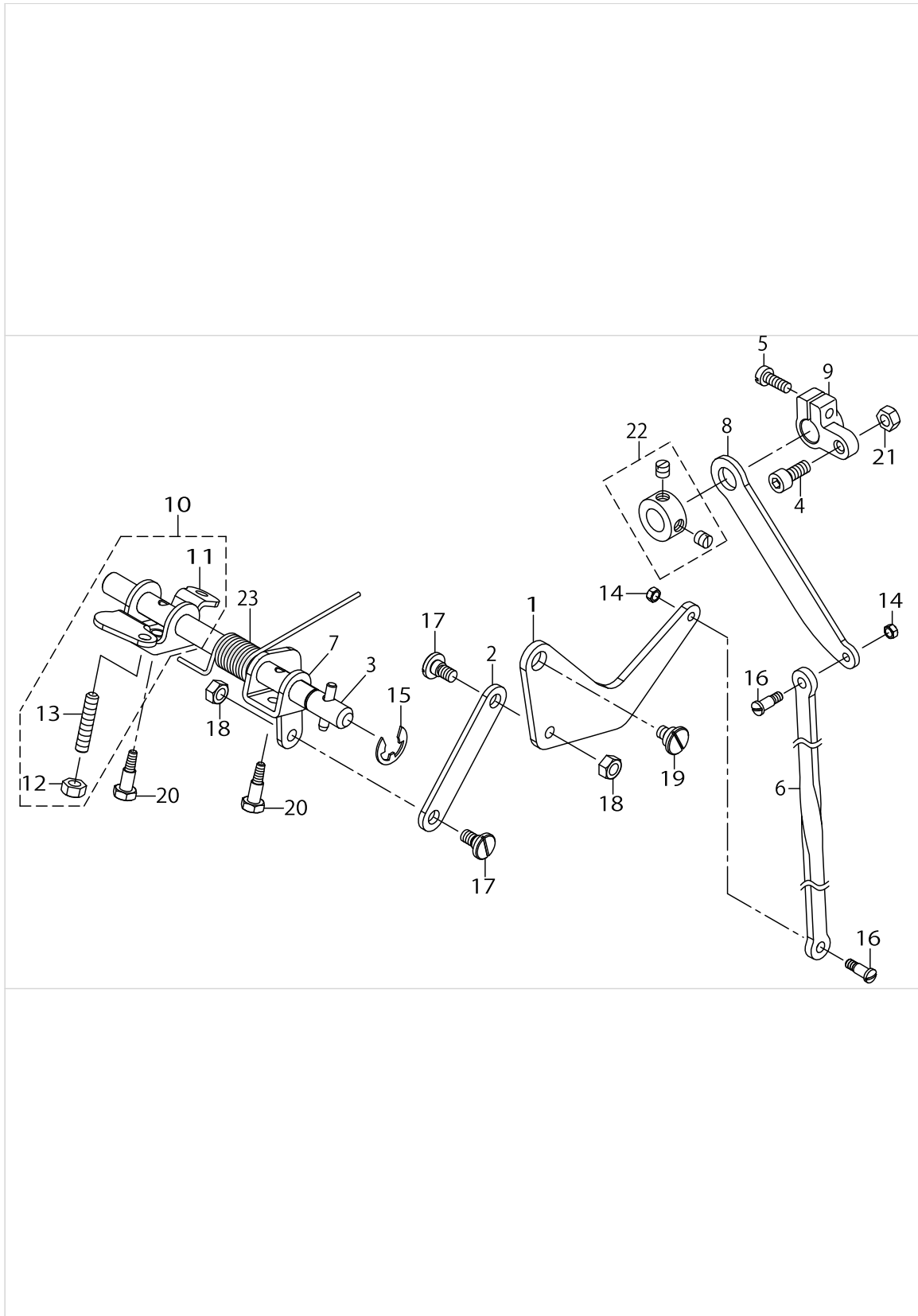
HAND LIFTER & AUTO LIFTER COMPONENTS



HAND LIFTER & AUTO LIFTER COMPONENTS

| No. | Parts No. | Parts name | Remarks | Level | Cons | Qty |
|-----|-------------|---------------------------|---|-------|------|-----|
| 24 | HX003140000 | SPIRAL TABE | FOR PLC-2710(WITH AK), 2760(WITH AK), 2760L(WITH AK), 2765(WITH AK) | | | 0.1 |
| 25 | HX00314000A | SPIRAL TUBE | FOR PLC-2710(WITH AK,BT,DL), 2760(WITH AK,BT,DL), 2760L(WITH AK,BT,DL), 2765(WITH AK,BT,DL) | | | 0.1 |
| 26 | 40086018 | BUSHING_MAIN_FEED | | | | 1 |
| 27 | BT0400251EB | URETHANE TUBE BLACK 4X2.5 | FOR PLC-2710(WITH AK), 2710(WITH AK,BT,-DL), 2760(WITH AK), 2760(WITH AK,BT,DL), 2-760L(WITH AK), 2760L(WITH AK,BT,DL), 2765-(WITH AK), 2765(WITH AK,BT,DL) | | | 1.8 |

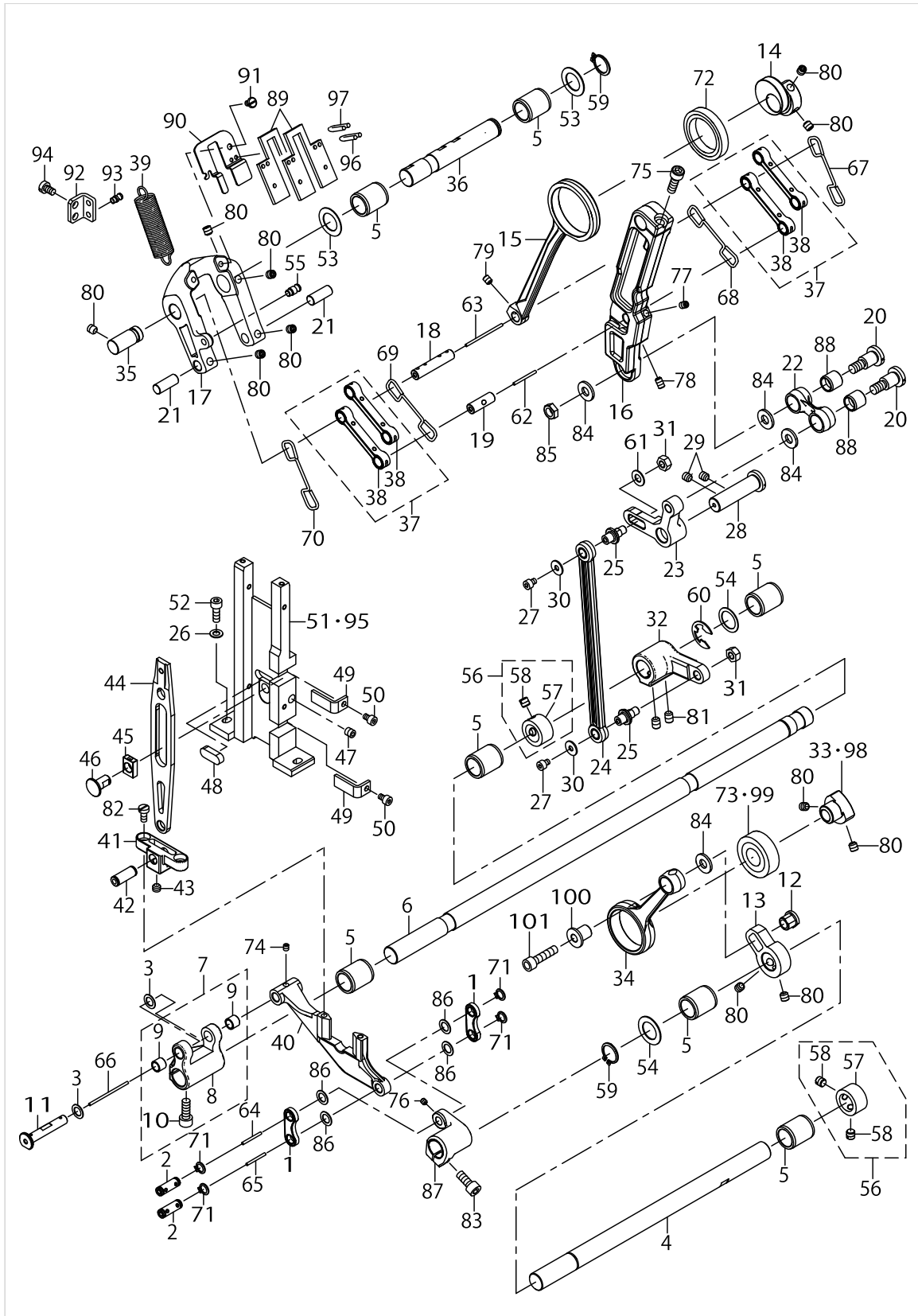
KNEE LIFTER COMPONENTS (FOR PLC-2710,2760,2760L,2765)



KNEE LIFTER COMPONENTS (FOR PLC-2710,2760,2760L,2765)

| No. | Parts No. | Parts name | Remarks | Level | Cons | Qty |
|-----|-------------|-------------------------------|---------|-------|------|-----|
| 1 | 40126270 | KNEE_PAD_LINK_A | | | | 1 |
| 2 | 40126271 | KNEE_PAD_LINK_B | | | | 1 |
| 3 | 40126356 | KNEE_LIFTER_SHAFT_ASM. | | | | 1 |
| 4 | SM6051202TP | SCREW M5X0.8 L=12 | | | | 1 |
| 5 | SM6051400SP | SCREW | | | | 1 |
| 6 | 40130019 | KNEE_PAD_LINK | | | | 1 |
| 7 | 40126273 | KNEE_PAD_DRIVING_ARM | | | | 1 |
| 8 | 40126274 | KNEE_PAD_LINK_C | | | | 1 |
| 9 | 40112127 | BACKWARD_FEED_CONNECTING_ARM | | | | 1 |
| 10 | 22932156 | KNEE LIFTER ROTATION ARM ASM. | | | | 1 |
| 11 | 22932107 | KNEE LIFTING ROTATING ARM | | * | | 1 |
| 12 | NM6060001SE | NUT M6 | | * | | 2 |
| 13 | SM8063012TR | SCREW M6 L=30 | | * | | 2 |
| 14 | NS6110310SP | NUT 11/64-40 | | | | 2 |
| 15 | RE1000000K0 | E-RING 10 | | | | 1 |
| 16 | SD0500803TP | HINGE SCREW D=5 H=8 | | | | 2 |
| 17 | 40082078 | SHOULDER SCREW D=7.24 H=3.3 | | | | 2 |
| 18 | NM6060001SE | NUT M6 | | | | 2 |
| 19 | SD1000406TP | SHOULDER SCREW | | | | 1 |
| 20 | SM9061853SR | SCREW M6 L=17.5 | | | | 2 |
| 21 | NM6050001SD | NUT M5X0.8 | | | | 1 |
| 22 | CS1201010SH | THRUST COLLAR ASM. D=12 W=10 | | | | 1 |
| 23 | 23639503 | SPRING | | | | 1 |

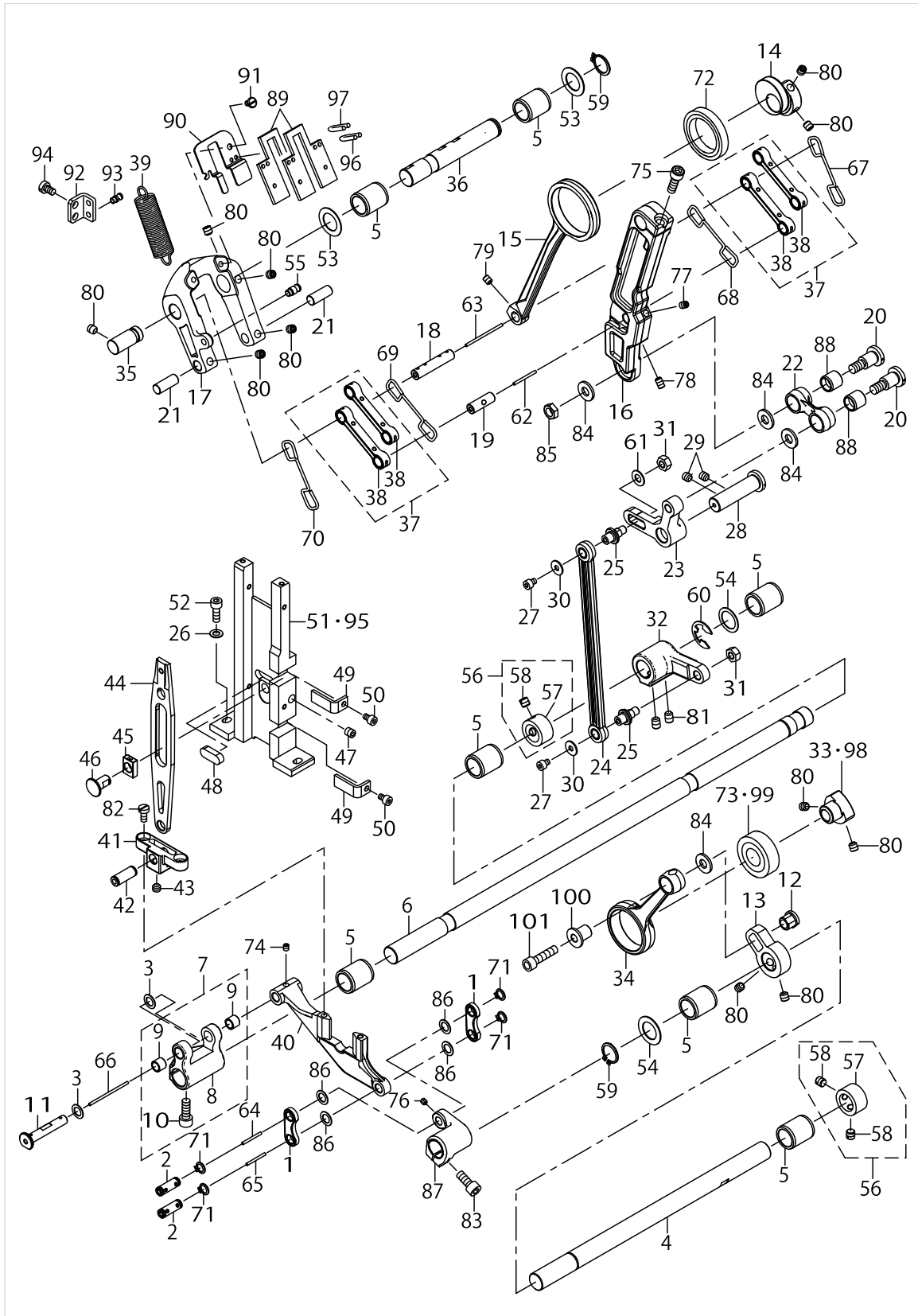
LOWER FEED COMPONENTS



LOWER FEED COMPONENTS

| No. | Parts No. | Parts name | Remarks | Level | Cons | Qty |
|-----|-------------|--------------------------------|---------------------------------------|-------|------|-----|
| 1 | 40130013 | VERTICAL_LINK | | | | 2 |
| 2 | 10718906 | VERTICAL FEED LINK SHAFT | | | | 2 |
| 3 | WP0740516SP | WASHER 7.4X11.8X0.5 | | | | 2 |
| 4 | 40123667 | VERTICAL_FEED_LINK | | | | 1 |
| 5 | 22913008 | FEED ROCKER SHAFT BUSHING | | | | 7 |
| 6 | 40126386 | HORIZONTAL_FEED_SHAFT | | | | 1 |
| 7 | 40130011 | FEED_BASE_ARM_ASM. | | | | 1 |
| 8 | 40130010 | FEED_BASE_ARM | | * | | 1 |
| 9 | 40126163 | FEED_BASE_ARM_BUSH | | * | | 2 |
| 10 | SM6051402TP | SCREW M5X0.8 L=14 | | * | | 1 |
| 11 | 40112098 | FEED_BASE_SHAFT | | | | 1 |
| 12 | 40154832 | VERTICAL_FEED_ROD_NUT | | | | 1 |
| 13 | 40125843 | VERTICAL_FEED_ARM_REAR | | | | 1 |
| 14 | 40123626 | HORIZONTAL_FEED_CAM | | | | 1 |
| 15 | 40126151 | HORIZONTAL_FEED_ROD | | | | 1 |
| 16 | 40123547 | NEEDLE_BAR_ROCKING_LINK | | | | 1 |
| 17 | 40137553 | HORIZONTAL_FEED_CHANGE_BASE | | | | 1 |
| 18 | 40112118 | FEED_ROD_PIN | | | | 1 |
| 19 | 40123634 | ROCKING_LINK_PIN | | | | 1 |
| 20 | SD1021251SP | SHOULDER SCREW D=10.2 H=12.5 | | | | 2 |
| 21 | 40126375 | FEED_ADJUSTING_PIN_A | | | | 2 |
| 22 | 40125856 | CONNECTION_LINK | | | | 1 |
| 23 | 40130007 | LOWER_FEED_CONNECTING_TRIANGLE | | | | 1 |
| 24 | 40131952 | CONNECTING_ROD_ASSY | | | | 1 |
| 25 | 40130409 | FEED_ROCK_SHAFT_HINGE_SCREW | | | | 2 |
| 26 | WP0550800SP | WASHER 5.5X10X0.8 | | | | 2 |
| 27 | SM6040502TP | SCREW M4X0.7 L=5 | | | | 2 |
| 28 | 26228304 | REGULATING LEVER STUD | | | | 1 |
| 29 | SM8060612TP | SCREW M6 L=6 | | | | 2 |
| 30 | WP0431005SP | PLAIN WASHER | | | | 2 |
| 31 | NM6060001CP | NUT M6X1 TYPE1 | | | | 2 |
| 32 | 40130009 | HORIZONTAL_FEED_ARM | | | | 1 |
| 33 | 40123627 | VERTICAL_FEED_CAM | FOR PLC-2710,2710-7,2760, 2760-7,2765 | | | 1 |
| 34 | 40125857 | VERTICAL_FEED_ROD | | | | 1 |
| 35 | 40123639 | HF_CHANGE_BASE_SUPPORT_PIN | | | | 1 |
| 36 | 40123332 | CHANGE_BASE_SHAFT | | | | 1 |
| 37 | 40126339 | CONNECTION_LINK_ASM. | | | | 2 |
| 38 | 40123252 | CONNECTION_LINK | | * | | 2 |
| 39 | 40126401 | SPRING_B | | | | 1 |
| 40 | 40131954 | FEED BASE | | | | 1 |
| 41 | 40130012 | FEED_LEVER_SUPPORT | | | | 1 |
| 42 | 10714103 | CONNECTION LINK PIN A | | | | 1 |
| 43 | SM8060552TP | SCREW M6 L=5 | | | | 1 |
| 44 | 40130016 | FEED_LEVER | | | | 1 |
| 45 | 40130017 | SLIDE_BLOCK | | | | 1 |
| 46 | 10714608 | CONNECTION LINK B SUPPORT PIN | | | | 1 |
| 47 | SM8060612TP | SCREW M6 L=6 | | | | 1 |

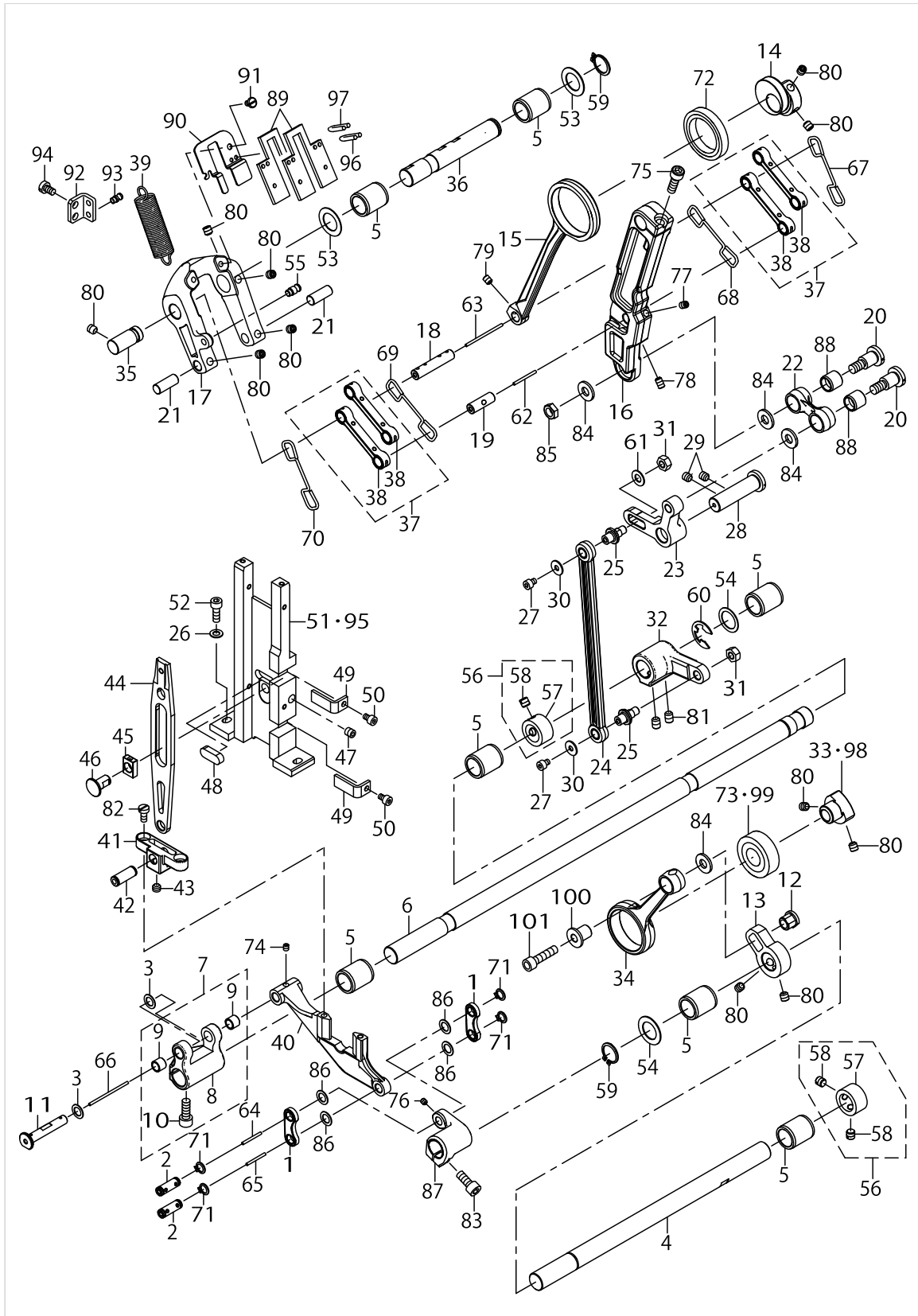
LOWER FEED COMPONENTS



LOWER FEED COMPONENTS

| No. | Parts No. | Parts name | Remarks | Level | Cons | Qty |
|-----|-------------|-------------------------------|---------------------------------------|-------|------|-------|
| 48 | 40130018 | FELT | | | | 1 |
| 49 | 23036304 | FEED LEVER SUPPORT | | | | 2 |
| 50 | SS6090612TP | SCREW 9/64-40 L=6 | | | | 2 |
| 51 | 40130014 | FEED_LEVER_BASE_2710 | FOR PLC-2710,2710-7 | | | 1 |
| 52 | SM6051402TP | SCREW M5X0.8 L=14 | | | | 2 |
| 53 | D1231555B00 | WASHER | | | | 2 |
| 54 | B125578100A | WASHER A | | | | 2 |
| 55 | 40137780 | SPRING_RAC | | | | 1 |
| 56 | 22904155 | MAIN SHAFT THRUST COLLAR ASM. | | | | 2 |
| 57 | 22904106 | MAIN SHAFT THRUST COLLAR | | * | | 1 |
| 58 | SS8660610TP | SCREW 1/4-40 L=6 | | * | | 2 |
| 59 | RC0150001KP | C-RING 15 (13.8) | | | | 2 |
| 60 | RE1200000K0 | E-RING 12 | | | | 1 |
| 61 | WP0650876SD | WASHER 6.5X13X0.8 | | | | 1 |
| 62 | CQ202000000 | COTTON OIL WICK D=2 | | | | 0.02 |
| 63 | CQ202000000 | COTTON OIL WICK D=2 | | | | 0.042 |
| 64 | CQ202000000 | COTTON OIL WICK D=2 | | | | 0.024 |
| 65 | CQ202000000 | COTTON OIL WICK D=2 | | | | 0.024 |
| 66 | CQ202000000 | COTTON OIL WICK D=2 | | | | 0.04 |
| 67 | CQ202000000 | COTTON OIL WICK D=2 | | | | 0.3 |
| 68 | CQ202000000 | COTTON OIL WICK D=2 | | | | 0.3 |
| 69 | CQ202000000 | COTTON OIL WICK D=2 | | | | 0.3 |
| 70 | CQ202000000 | COTTON OIL WICK D=2 | | | | 0.3 |
| 71 | RC0650811KP | C-RING 7 (6.5) | | | | 4 |
| 72 | SB130000200 | BEARING | | | | 1 |
| 73 | SB115000200 | BEARING | FOR PLC-2710,2710-7,2760, 2760-7,2765 | | | 1 |
| 74 | SS8110422TP | SCREW 11/64-40 L=4 | | | | 1 |
| 75 | SM6061802TP | SCREW M6 L=18 | | | | 1 |
| 76 | SM8040412TP | SCREW M4X4 | | | | 1 |
| 77 | SM8050842TP | SETSCREW | | | | 1 |
| 78 | SM8050812TP | SCREW M5X8 | | | | 1 |
| 79 | SM8050612TP | SCREW M5X6 | | | | 1 |
| 80 | SM8060612TP | SCREW M6 L=6 | | | | 11 |
| 81 | SM8060812TP | SCREW M6 L=8 | | | | 2 |
| 82 | SS6111010TP | SCREW 11/64-40 L=9.5 | | | | 2 |
| 83 | SM6061402TP | SCREW M6 L=14 | | | | 1 |
| 84 | 26018705 | WASHER | | | | 4 |
| 85 | NS6680410SP | HEXAGONAL NUT 9/32-28 | | | | 1 |
| 86 | WP0740516SP | WASHER 7.4X11.8X0.5 | | | | 4 |
| 87 | 40125935 | VERTICAL_FEED_ARM_FRONT | | | | 1 |
| 88 | 40126359 | VERTICAL_FEED_ROD_BUSH | | | | 2 |
| 89 | 40123345 | FELT | | | | 2 |
| 90 | 40137554 | FELT HOLDER | | | | 1 |
| 91 | SM6040650TP | SCREW | | | | 1 |
| 92 | 40137779 | SUPPORT PLATE | | | | 1 |
| 93 | 26017400 | SPRING RAC | | | | 1 |
| 94 | SM6050800SP | SCREW M5 L=8 | | | | 2 |

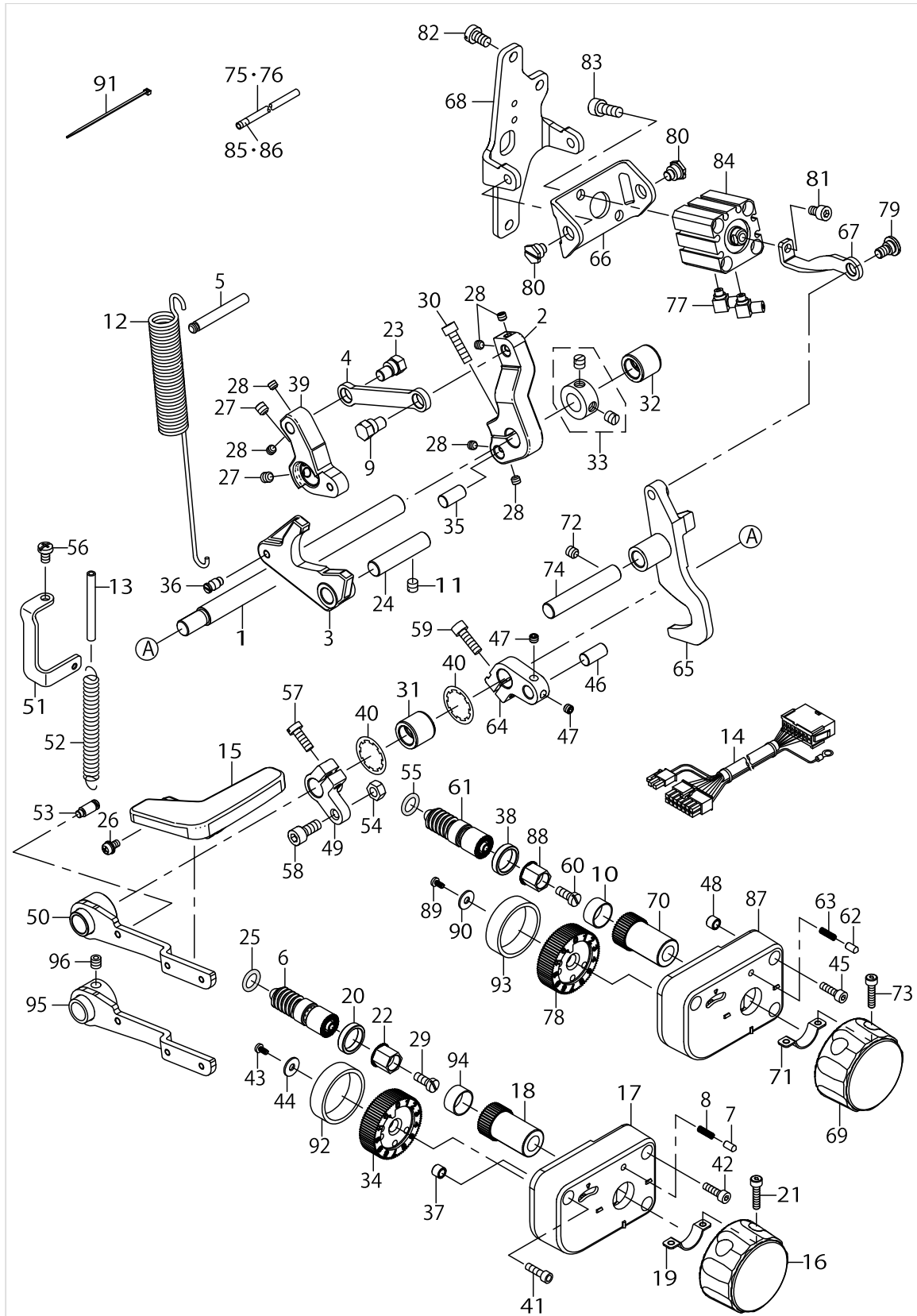
LOWER FEED COMPONENTS



LOWER FEED COMPONENTS

| No. | Parts No. | Parts name | Remarks | Level | Cons | Qty |
|-----|-------------|----------------------|--------------------------------|-------|------|------|
| 95 | 40130015 | FEED_LEVER_BASE_2760 | FOR PLC-2760,2760-7,2760L,2765 | | | 1 |
| 96 | CQ202000000 | OIL WICK | | | | 0.05 |
| 97 | CQ202000000 | OIL WICK | | | | 0.05 |
| 98 | 40134534 | V_FEED_CAM_2.0 | FOR PLC-2760L | | | 1 |
| 99 | SB117000700 | BEARING | FOR PLC-2760L | | | 1 |
| 100 | 40154833 | VERTICAL_FEED_COLLAR | | | | 1 |
| 101 | SM6062502TP | SCREW M6 L=25 | | | | 1 |

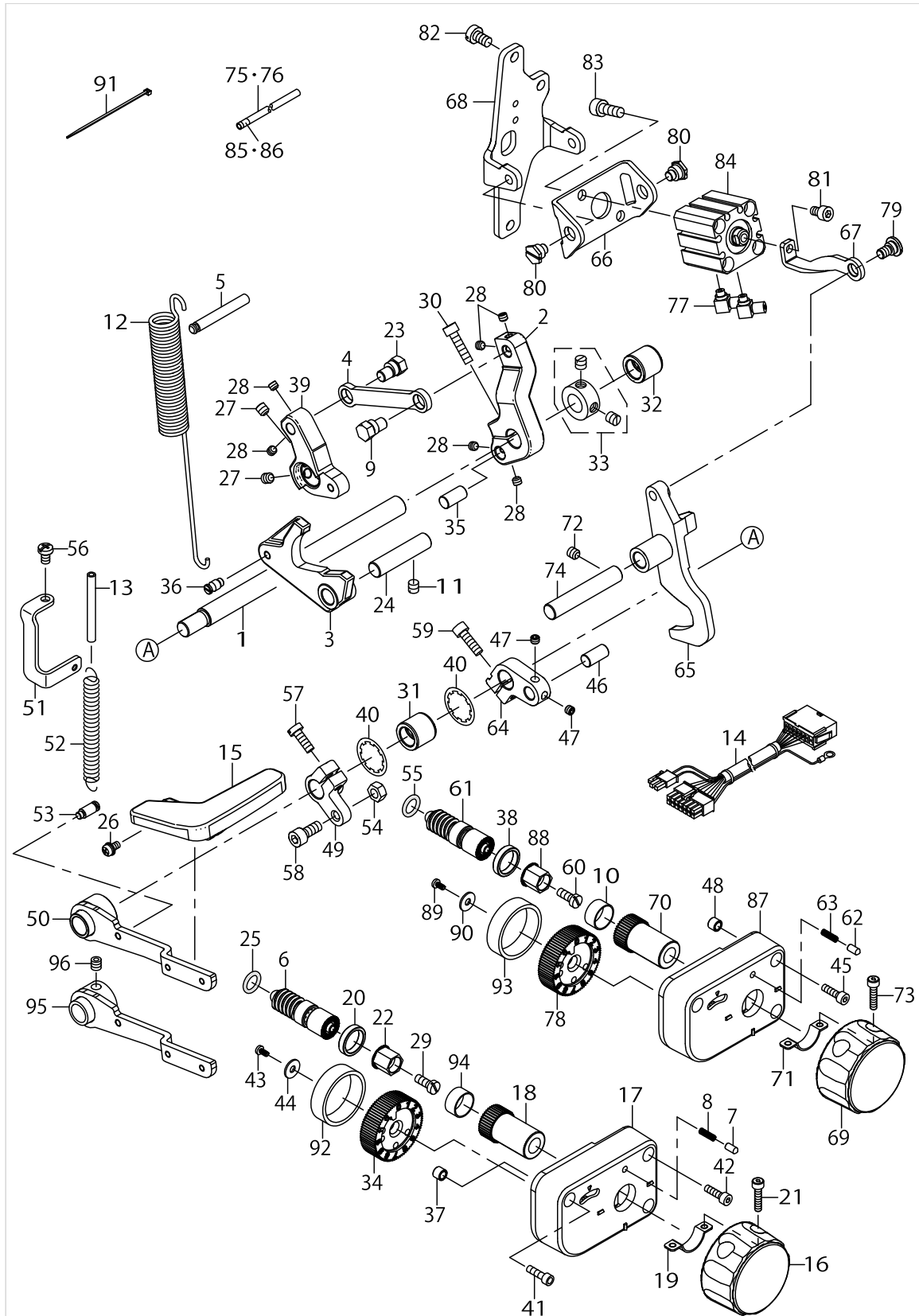
FEED ADJUST COMPONENTS



FEED ADJUST COMPONENTS

| No. | Parts No. | Parts name | Remarks | Level | Cons | Qty |
|-----|-------------|------------------------------|--|-------|------|------|
| 1 | 40126363 | BACKWARD_FEED_LEVER_SHAFT | | | | 1 |
| 2 | 40129986 | FEED_ADJUSTING_PIN_HOLDER_A | | | | 1 |
| 3 | 40129984 | ADJUSTING_BASE_A | | | | 1 |
| 4 | 40129988 | FEED_ADJUSTING_LINK | | | | 1 |
| 5 | 40134528 | SPRING SUSPENSION | | | | 1 |
| 6 | 22911804 | FEED REGULATOR SCREW | | | | 1 |
| 7 | 10715704 | VERTICAL DIAL PIN | | | ☆ | 1 |
| 8 | B152652700G | SPRING | | | | 1 |
| 9 | 23613409 | FEED ADJUSTING PIN | | | | 1 |
| 10 | 40137613 | DIAL_GEAR_BUSH | FOR PLC-2710-7,2760-7 | | | 1 |
| 11 | SM8060612TP | SCREW M6 L=6 | | | | 1 |
| 12 | 40134105 | FEED_ADJUSTING_BASE_SPRING | | | | 1 |
| 13 | 23630007 | TUBE | FOR PLC-2710-7,2760-7, 2710(WITH AK,BT,DL), 2760(WITH AK,BT,DL), 2760L(WITH AK,BT,DL), 2765(WITH AK,BT,DL) | | | 0.08 |
| 14 | 40139455 | SOLENOID RELAY CABLE ASM. | FOR PLC-2710(WITH AK,BT,DL), 2-760(WITH AK,BT,DL), 2760L(WITH AK,BT,DL), 2765(WITH AK,BT,DL) | | | 1 |
| 15 | 40126116 | REVERSE_FEED_LEVER_DRAFT | | | | 1 |
| 16 | 40130004 | FEED_DIAL_KNOB | | | ☆ | 1 |
| 17 | 40130001 | FEED_DIAL_COVER_A | | | | 1 |
| 18 | 40130003 | FEED_DIAL_GEAR | | | | 1 |
| 19 | 40130005 | FEED_DIAL_SUPPORT_PLATE | | | | 1 |
| 20 | 40133826 | SPACER | | | | 1 |
| 21 | SM6041802TP | SCREW M4 L=18 | | | | 2 |
| 22 | 40130006 | HEXA_SHAFT | | | | 1 |
| 23 | 23613409 | FEED ADJUSTING PIN | | | | 1 |
| 24 | 40033825 | HEAD_FIXED_SHAFT | | | | 1 |
| 25 | RO092270200 | O-RING | | | ☆ | 1 |
| 26 | SL4040881SC | SCREW M4 L=8 | | | | 2 |
| 27 | SM8060612TP | SCREW M6 L=6 | | | | 2 |
| 28 | SM8050412TP | SCREW M5 L=4 | | | | 6 |
| 29 | SS6121210SP | SCREW 3/16-28 L=12 | | | | 1 |
| 30 | SM6052002TP | SCREW M5X0.8 L=20 | | | | 1 |
| 31 | 13424502 | BUSHING FRONT | | | | 1 |
| 32 | 40086018 | BUSHING_MAIN_FEED | | | | 1 |
| 33 | CS1201010SH | THRUST COLLAR ASM. D=12 W=10 | | | | 1 |
| 34 | 40132118 | FEED_DIAL_PLATE_A | | | | 1 |
| 35 | 40134959 | FEED ADJUSTING PIN A | | | | 1 |
| 36 | 40137780 | SPRING RAC | | | | 1 |
| 37 | B4122804000 | ROLLER | | | | 1 |
| 38 | 40133826 | SPACER | FOR PLC-2710-7,2760-7 | | | 1 |
| 39 | 40130412 | FEED_ADJUSTING_ARM_BT | | | | 1 |
| 40 | WT1780011KP | TOOTHED WASHER 18 | | | | 2 |
| 41 | SM6041402TP | SCREW M4 L=14 | | | | 1 |
| 42 | SM6040802TP | SCREW M4X0.7 L=8 | | | | 2 |
| 43 | 40130820 | SCREW | | | | 1 |
| 44 | WP0431005SP | PLAIN WASHER | | | | 1 |
| 45 | SM6041402TP | SCREW M4 L=14 | FOR PLC-2710-7,2760-7 | | | 3 |

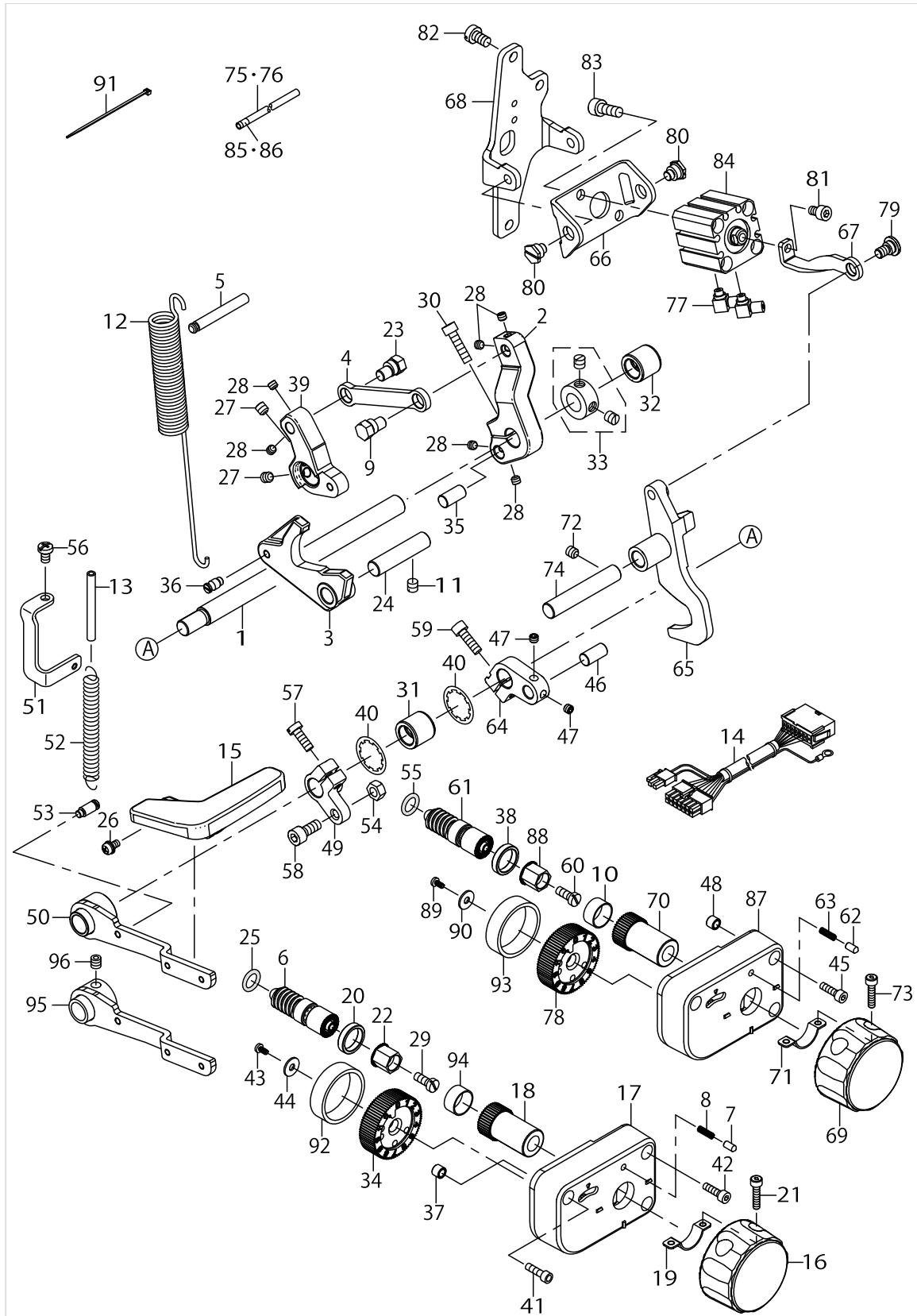
FEED ADJUST COMPONENTS



FEED ADJUST COMPONENTS

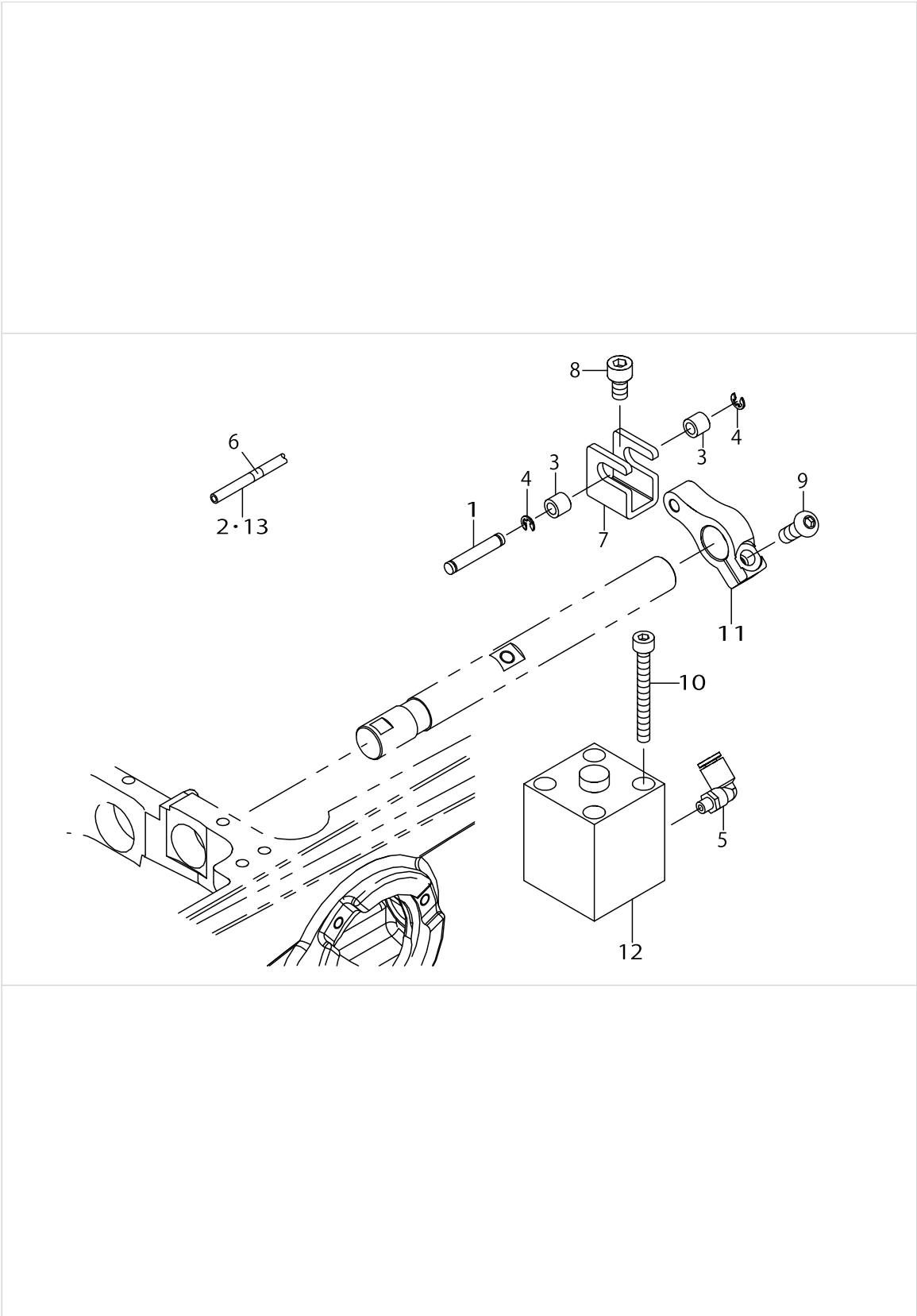
| No. | Parts No. | Parts name | Remarks | Level | Cons | Qty |
|-----|-------------|--------------------------------|---|-------|------|------|
| 46 | 40131887 | FEED_ADJUSTING_PIN | FOR PLC-2710-7,2760-7 | | | 1 |
| 47 | SM8050412TP | SCREW M5 L=4 | FOR PLC-2710-7,2760-7 | | | 2 |
| 48 | B4122804000 | ROLLER | FOR PLC-2710-7,2760-7 | | | 3 |
| 49 | 40112127 | BACKWARD_FEED_CONNECTING_ARM | FOR PLC-2710-7,2760-7, 2710(WITH AK,BT,DL), 2760(WITH AK,BT,D-L), 2760L(WITH AK,BT,DL), 2765(WITH AK,BT,DL) | | | 1 |
| 50 | 40129991 | REVERSE_FEED_LEVER_ASM | FOR PLC-2710-7,2760-7, 2710(WITH AK,BT,DL), 2760(WITH AK,BT,D-L), 2760L(WITH AK,BT,DL), 2765(WITH AK,BT,DL) | | | 1 |
| 51 | 40125864 | REVERSE_FEED_LEVER_SPRING_HOOK | FOR PLC-2710-7,2760-7, 2710(WITH AK,BT,DL), 2760(WITH AK,BT,D-L), 2760L(WITH AK,BT,DL), 2765(WITH AK,BT,DL) | | | 1 |
| 52 | D2629M1YC0F | SPRING | FOR PLC-2710-7,2760-7, 2710(WITH AK,BT,DL), 2760(WITH AK,BT,D-L), 2760L(WITH AK,BT,DL), 2765(WITH AK,BT,DL) | | | 1 |
| 53 | 26229302 | SUSPENSION SCREW | FOR PLC-2710-7,2760-7, 2710(WITH AK,BT,DL), 2760(WITH AK,BT,D-L), 2760L(WITH AK,BT,DL), 2765(WITH AK,BT,DL) | | | 1 |
| 54 | NM6050001SD | NUT M5X0.8 TYPE1 | FOR PLC-2710-7,2760-7, 2710(WITH AK,BT,DL), 2760(WITH AK,BT,D-L), 2760L(WITH AK,BT,DL), 2765(WITH AK,BT,DL) | | | 1 |
| 55 | RO092270200 | O-RING | FOR PLC-2710-7,2760-7 | | ☆ | 1 |
| 56 | SM4050855SP | SCREW | FOR PLC-2710-7,2760-7, 2710(WITH AK,BT,DL), 2760(WITH AK,BT,D-L), 2760L(WITH AK,BT,DL), 2765(WITH AK,BT,DL) | | | 1 |
| 57 | SM6051400SP | SCREW | FOR PLC-2710-7,2760-7, 2710(WITH AK,BT,DL), 2760(WITH AK,BT,D-L), 2760L(WITH AK,BT,DL), 2765(WITH AK,BT,DL) | | | 1 |
| 58 | SM6051202TP | SCREW M5X0.8 L=12 | FOR PLC-2710-7,2760-7, 2710(WITH AK,BT,DL), 2760(WITH AK,BT,D-L), 2760L(WITH AK,BT,DL), 2765(WITH AK,BT,DL) | | | 1 |
| 59 | SM6051602TP | SCREW M5X0.8 L=16 | FOR PLC-2710-7,2760-7 | | | 1 |
| 60 | SS6121210SP | SCREW 3/16-28 L=12 | FOR PLC-2710-7,2760-7 | | | 1 |
| 61 | 22911804 | FEED REGULATOR SCREW | FOR PLC-2710-7,2760-7 | | | 1 |
| 62 | 10715704 | VERTICAL DIAL PIN | FOR PLC-2710-7,2760-7 | | ☆ | 1 |
| 63 | B152652700G | SPRING | FOR PLC-2710-7,2760-7 | | | 1 |
| 64 | 40125858 | FEED_ADJUSTING_PIN_HOLDER_B | FOR PLC-2710-7,2760-7 | | | 1 |
| 65 | 40129985 | ADJUSTING_BASE_B | FOR PLC-2710-7,2760-7 | | | 1 |
| 66 | 40126642 | CYLINDER_BASE_A | FOR PLC-2710-7,2760-7 | | | 1 |
| 67 | 40129999 | CYLINDER_JOINT_B | FOR PLC-2710-7,2760-7 | | | 1 |
| 68 | 40126643 | CYLINDER_BASE_B | FOR PLC-2710-7,2760-7 | | | 1 |
| 69 | 40130004 | FEED_DIAL_KNOB | FOR PLC-2710-7,2760-7 | | ☆ | 1 |
| 70 | 40130003 | FEED_DIAL_GEAR | FOR PLC-2710-7,2760-7 | | | 1 |
| 71 | 40130005 | FEED_DIAL_SUPPORT_PLATE | FOR PLC-2710-7,2760-7 | | | 1 |
| 72 | SM8060612TP | SCREW M6 L=6 | FOR PLC-2710-7,2760-7 | | | 1 |
| 73 | SM6041802TP | SCREW M4 L=18 | FOR PLC-2710-7,2760-7 | | | 2 |
| 74 | 40077931 | PRESSURE_LOWERING_SHAFT | FOR PLC-2710-7,2760-7 | | | 1 |
| 75 | BT0400251EB | URETHANE TUBE BLACK 4X2.5 | FOR PLC-2710-7,2760-7 | | | 0.36 |
| 76 | BT0400251EB | URETHANE TUBE BLACK 4X2.5 | FOR PLC-2710-7,2760-7 | | | 0.36 |
| 77 | PJ046052503 | HOSE ELBOW | FOR PLC-2710-7,2760-7 | | | 2 |
| 78 | 40132118 | FEED_DIAL_PLATE_A | FOR PLC-2710-7,2760-7 | | | 1 |
| 79 | SD0800346TP | SHOULDER SCREW D=8 H=3.4 | FOR PLC-2710-7,2760-7 | | | 1 |
| 80 | SD0900426TP | SHOULDER SCREW D=9 H=4.2 | FOR PLC-2710-7,2760-7 | | | 2 |
| 81 | SM6050802TP | SCREW M5X0.8 L=8 | FOR PLC-2710-7,2760-7 | | | 1 |
| 82 | SM6061010TP | SCREW M6 L=10 | FOR PLC-2710-7,2760-7 | | | 3 |
| 83 | SM6061602TP | SCREW M6 L=16 | FOR PLC-2710-7,2760-7 | | | 2 |

FEED ADJUST COMPONENTS



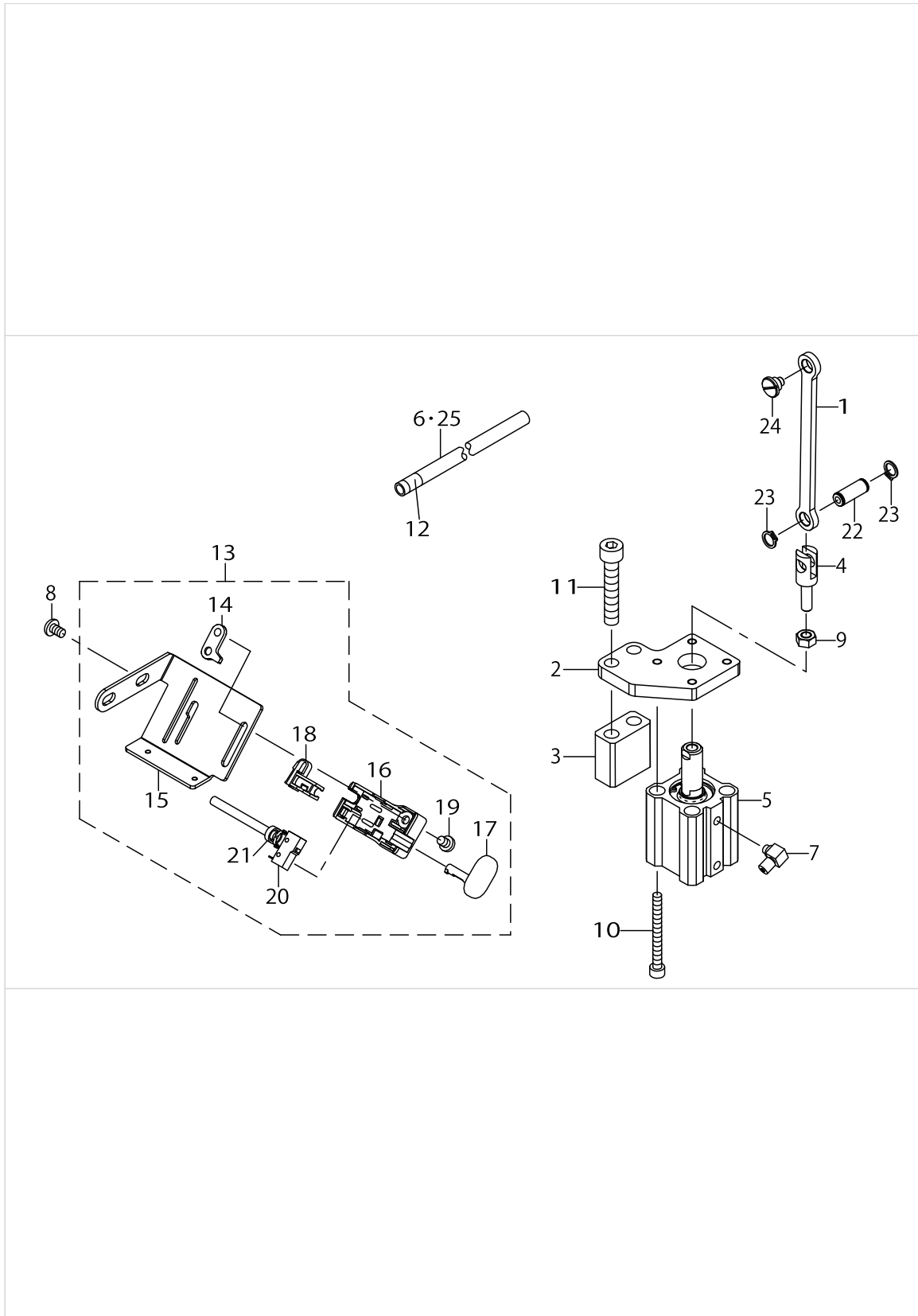
FEED ADJUST COMPONENTS

| No. | Parts No. | Parts name | Remarks | Level | Cons | Qty |
|-----|-------------|--------------------------|---|-------|------|-----|
| 84 | PA200150900 | AIR CYLINDER | FOR PLC-2710-7,2760-7 | | | 1 |
| 85 | 18035006 | CABLE MARK NO.1 | FOR PLC-2710-7,2760-7 | | | 2 |
| 86 | 18035105 | WIRE MARK (2) | FOR PLC-2710-7,2760-7 | | | 2 |
| 87 | 40130819 | FEED_DIAL_COVER_B | FOR PLC-2710-7,2760-7 | | | 1 |
| 88 | 40130006 | HEXA_SHAFT | FOR PLC-2710-7,2760-7 | | | 1 |
| 89 | 40130820 | SCREW | FOR PLC-2710-7,2760-7 | | | 2 |
| 90 | WP0431005SP | PLAIN WASHER | FOR PLC-2710-7,2760-7 | | | 2 |
| 91 | EA9500B0100 | CABLE BAND | FOR PLC-2710-7,2760-7 | | | 2 |
| 92 | 40137612 | DIAL PLATE BUSH | | | | 1 |
| 93 | 40137612 | DIAL PLATE BUSH | FOR PLC-2710-7,2760-7 | | | 1 |
| 94 | 40137613 | DIAL_GEAR_BUSH | | | | 1 |
| 95 | 40129992 | REVERSE_FEED_LEVER_ASM_B | FOR PLC-2710,2760,2760L,2765, 2-710(WITH AK),2760(WITH AK), 276-0L(WITH AK),2765(WITH AK) | | | 1 |
| 96 | SM8060612TP | SCREW M6 L=6 | FOR PLC-2710,2760,2760L,2765, 2-710(WITH AK),2760(WITH AK), 276-0L(WITH AK),2765(WITH AK) | | | 2 |



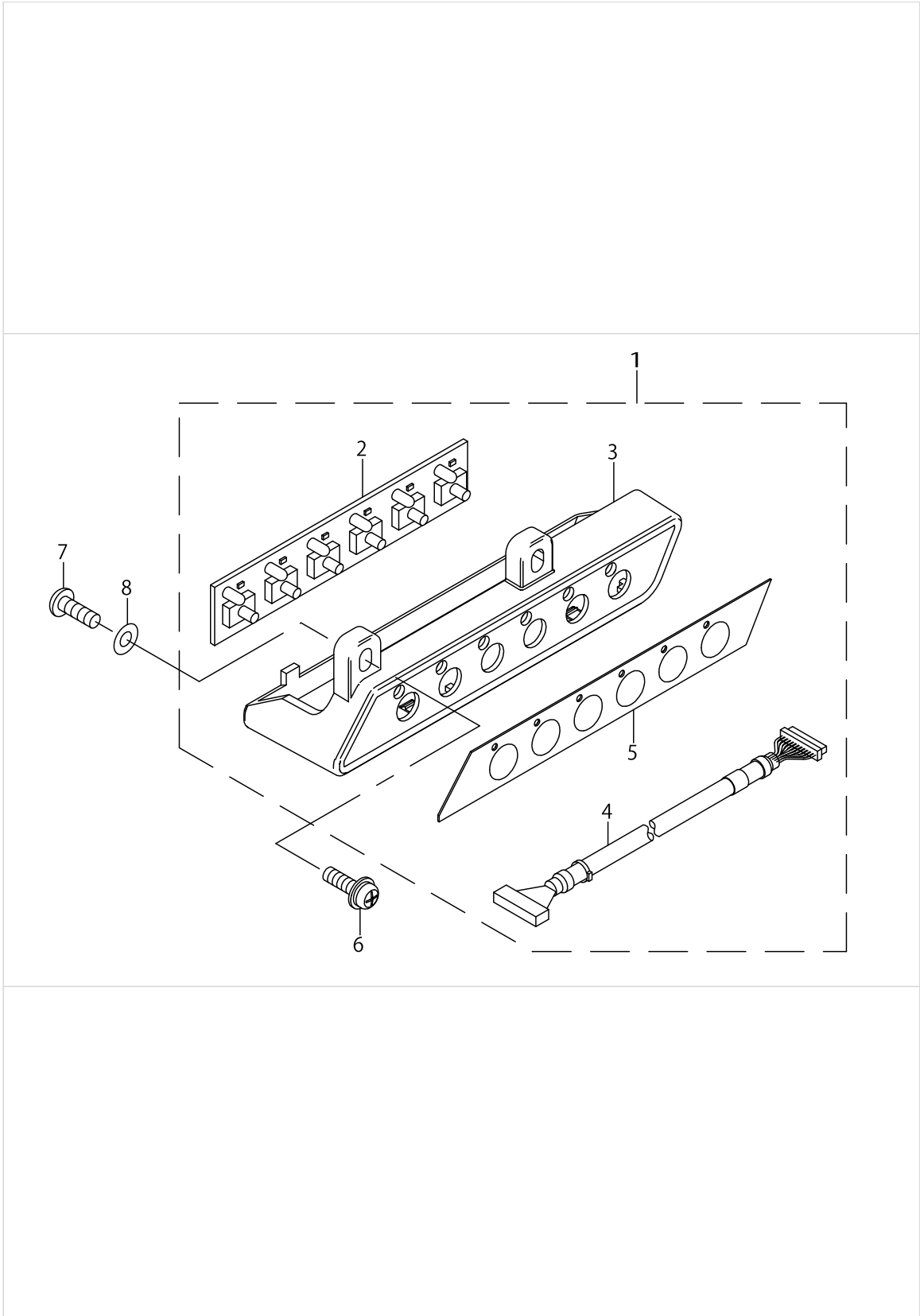
DL COMPONENTS(FOR PLC-2710-7,2760-7,2710(WITH AK,BT,DL),2760(WITH AK,BT,DL),2760L(WITH AK,BT,DL),2765(WITH A

| No. | Parts No. | Parts name | Remarks | Level | Cons | Qty |
|-----|-------------|---------------------------|--|-------|------|------|
| 1 | B1504210000 | CONNECTING SHAFT | | | | 1 |
| 2 | BT0400251EB | URETHANE HOSE BLACK | FOR PLC-2710-7,2760-7 | | | 0.58 |
| 3 | B3031141H00 | CONNECTING STUD | | | | 2 |
| 4 | RE0320000K0 | E-RING 3.2 | | | | 2 |
| 5 | PJ304040504 | ELBOW UNION | | | | 1 |
| 6 | 18035501 | WIRE MARK (6) | | | | 1 |
| 7 | 40112191 | KNUCKLE_JOINT_B | | | | 1 |
| 8 | SM6061002TP | SCREW M6 L=10 | | | | 1 |
| 9 | SM3061652TN | SCREW M6 L=16 | | | | 1 |
| 10 | SM6054502TP | SCREW M5X0.8 L=45 | | | | 2 |
| 11 | 40112192 | TERTICAL_CYLINDER_ARM | | | | 1 |
| 12 | PA250250900 | AIR CYLINDER | | | | 1 |
| 13 | BT0400251EB | URETHANE TUBE BLACK 4X2.5 | FOR PLC-2710(WITH AK,BT,DL), 2-760(WITH AK,BT,DL), 2760L(WITH AK,BT,DL), 2765(WITH AK,BT,DL) | | | 1.8 |



AUTO BT COMPONENTS(FOR PLC-2710-7,2760-7,2710(WITH AK,BT,DL),2760(WITH AK,BT,DL),2760L(WITH AK,BT,DL),2765

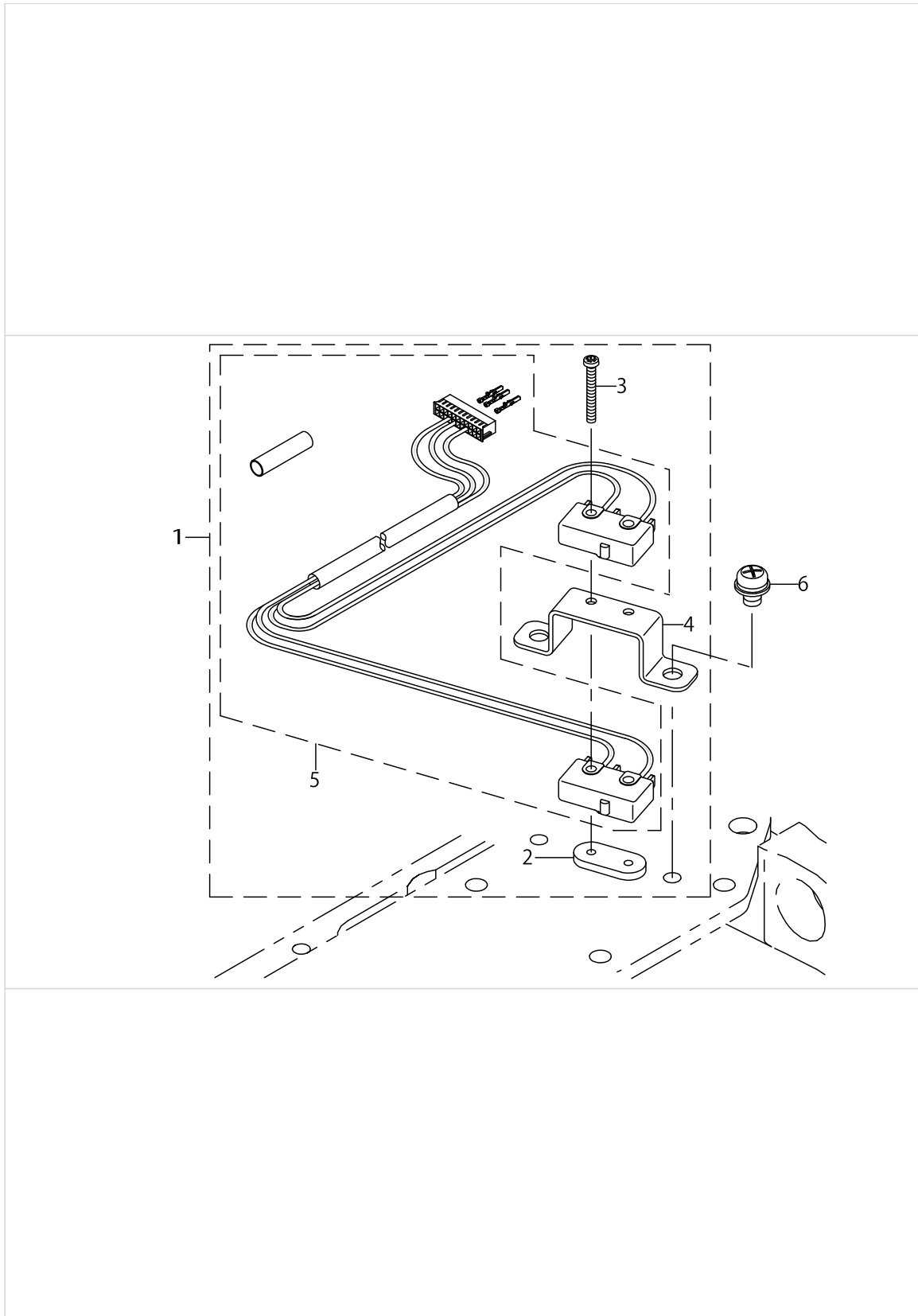
| No. | Parts No. | Parts name | Remarks | Level | Cons | Qty |
|-----|-------------|--------------------------------|--|-------|------|------|
| 1 | 40130413 | BT_LINK | | | | 1 |
| 2 | 40130024 | BT_CYLINDER_PLATE | | | | 1 |
| 3 | 40130414 | BT_CYLINDER_BLOCK | | | | 1 |
| 4 | 40052254 | CYLINDER KNUCKLE JOINT | | | | 1 |
| 5 | PA250250900 | AIR CYLINDER | | | | 1 |
| 6 | BT0400251EB | URETHANE TUBE BLACK 4X2.5 | FOR PLC-2710-7,2760-7 | | | 0.27 |
| 7 | PJ046052503 | HOSE ELBOW | | | | 1 |
| 8 | SM4050855SP | SCREW | | | | 2 |
| 9 | NM6060001CP | NUT M6X1 TYPE1 | | | | 1 |
| 10 | SM6055002TP | SCREW M5 L=50 | | | | 4 |
| 11 | SM6084502TP | SCREW M8 L=45 | | | | 2 |
| 12 | 18035709 | WIRE MARK (8) | | | | 1 |
| 13 | 40130285 | TB_SWITCH_ASSY | | | | 1 |
| 14 | 23632102 | REVERSE FEED SWITCH BASE GUIDE | | * | | 1 |
| 15 | 40112213 | TB_SW_MOUNTING_PLATE | | * | | 1 |
| 16 | 23631708 | REVERSE FEED SWITCH COVER | | * | | 1 |
| 17 | 23631807 | REVERSE FEED SWITCH SHAFT | | * | | 1 |
| 18 | 23631906 | REVERSE FEED SWITCH SUPPORT | | * | | 1 |
| 19 | SS7110740TP | SCREW 11/64-40 L=7 | | * | | 1 |
| 20 | 40130286 | REVERSE FEED CORD ASM | | * | | 1 |
| 21 | EA9500B0100 | CABLE BAND | | * | | 1 |
| 22 | 10714103 | CONNECTION LINK PIN A | | | | 1 |
| 23 | RC0740811KP | C-RING 8 (7.4) | | | | 2 |
| 24 | SD0800406TP | SHOULDER SCREW D=8 H=4 | | | | 1 |
| 25 | BT0400251EB | URETHANE TUBE BLACK 4X2.5 | FOR PLC-2710(WITH AK,BT,DL), 2-760(WITH AK,BT,DL), 2760L(WITH AK,BT,DL), 2765(WITH AK,BT,DL) | | | 1.3 |



6-RANGE SW COMPONENTS(FOR PLC-2710-7,2760-7,2710(WITH AK,BT,DL),2760(WITH AK,BT,DL),2760L(WITH AK,BT,DL),2

| No. | Parts No. | Parts name | Remarks | Level | Cons | Qty |
|-----|-------------|--------------------------|--|-------|------|-----|
| 1 | 40130287 | 6RANGE SWITCH ASM | | | | 1 |
| 2 | 40105510 | 6RANGE SWITCH PCB ASSY | | * | | 1 |
| 3 | 40112215 | 6RANGE_SWITCH_COVER | | * | | 1 |
| 4 | 40130288 | 6RANGE SWITCH CABLE ASM. | | * | | 1 |
| 5 | 40112216 | PANEL SHEET | | * | | 1 |
| 6 | SL4041491SC | SCREW 4X14 | FOR PLC-2710-7,2760-7, 2710(WITH AK,BT,DL), 2760(WITH AK,BT,-DL), 2760L(WITH AK,BT,DL) | | | 2 |
| 7 | SM4041201SC | SCREW M4 L=12 | FOR PLC-2765(WITH AK,BT,DL) | | | 2 |
| 8 | WP0430801SC | WASHER M4 | FOR PLC-2765(WITH AK,BT,DL) | | | 2 |

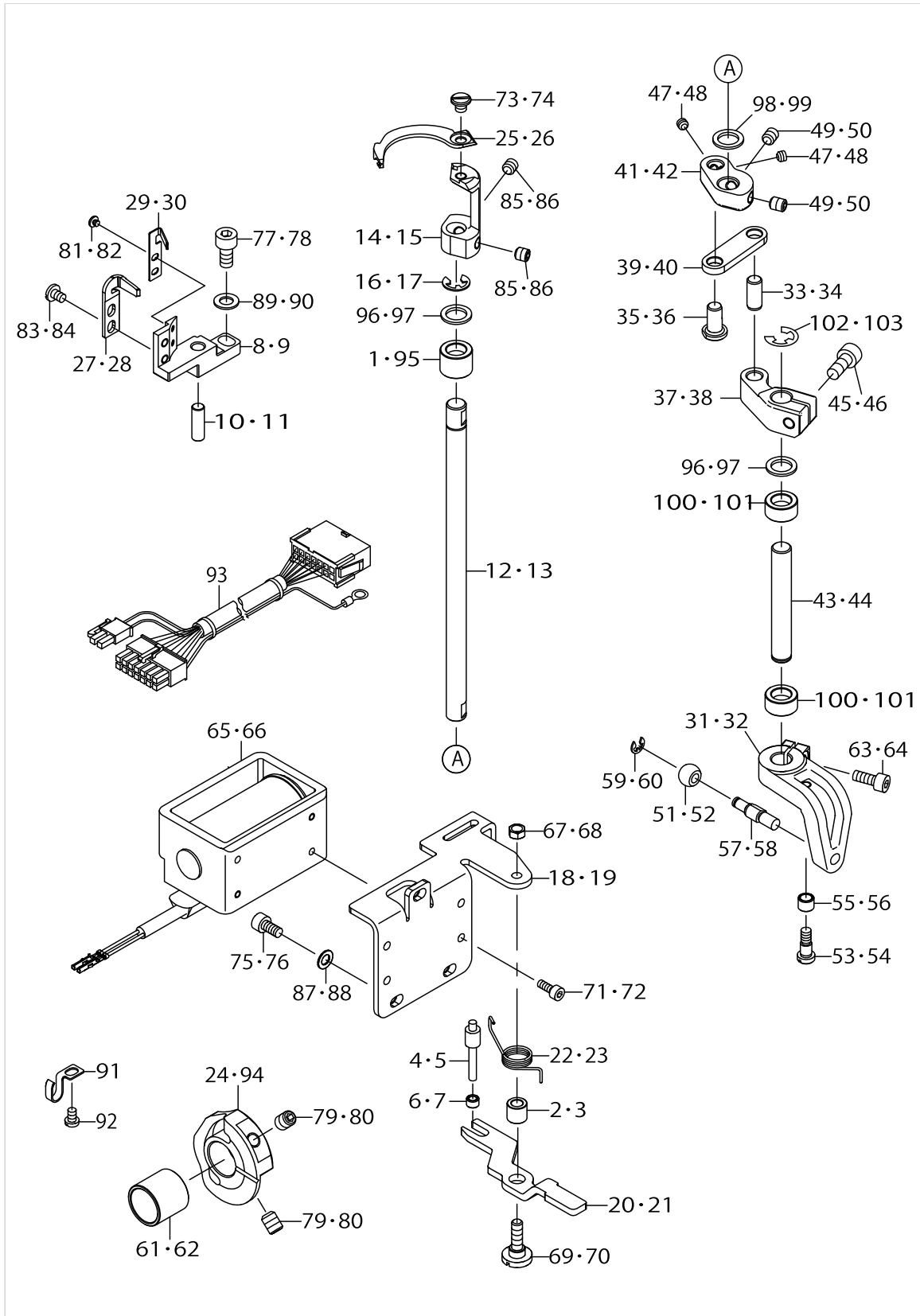
SPEED ADJUST COMPONENTS(FOR PLC-2710-7,2760-7,2710(WITH AK,BT,DL),2760(WITH AK,BT,DL),2765(WITH AK,BT,DL))



SPEED ADJUST COMPONENTS(FOR PLC-2710-7,2760-7,2710(WITH AK,BT,DL),2760(WITH AK,BT,DL),2765(WITH AK,BT,DL))

| No. | Parts No. | Parts name | Remarks | Level | Cons | Qty |
|-----|-------------|-------------------------------|---------|-------|------|-----|
| 1 | 40130289 | VERTICAL_DETECTOR_SWITCH_ASM. | | | | 1 |
| 2 | 23638406 | SAFETY SWITCH NUT | | * | | 1 |
| 3 | SM4021601SN | SCREW M2 L=16 | | * | | 2 |
| 4 | 40126259 | SENSOR_BRACKET | | * | | 1 |
| 5 | 40130290 | SPEED CONTROL CORD ASM. | | * | | 1 |
| 6 | SL4040691SC | SCREW M4 L=6 | | | | 2 |

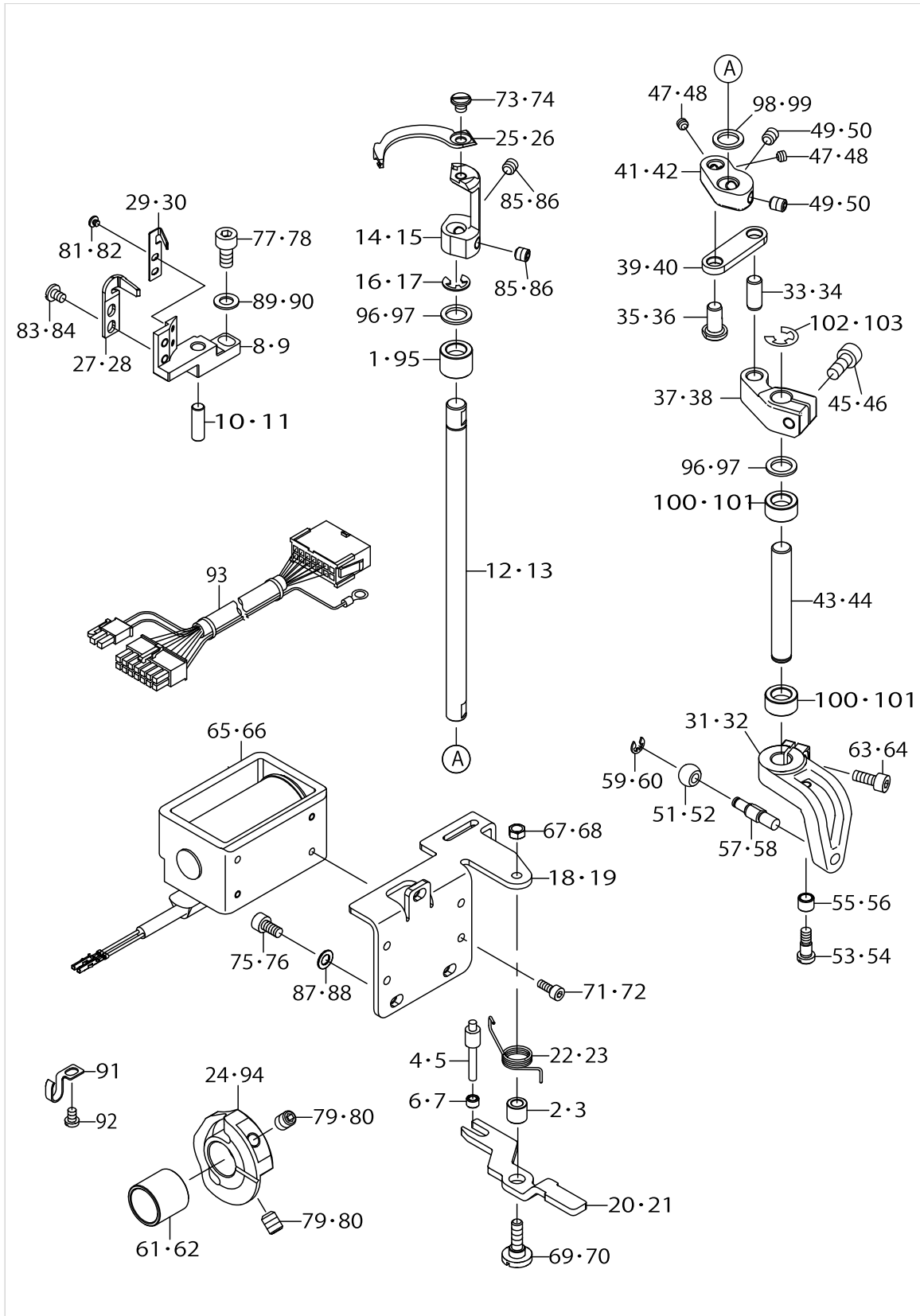
THREAD CUTTING COMPONENTS(FOR PLC-2710-7,2760-7)



THREAD CUTTING COMPONENTS(FOR PLC-2710-7,2760-7)

| No. | Parts No. | Parts name | Remarks | Level | Cons | Qty |
|-----|-------------|-------------------------------|----------------|-------|------|-----|
| 1 | 40138044 | BEARING | | | | 1 |
| 2 | 22956205 | WIPER HINGE SCREW COLLAR | FOR PLC-2710-7 | | | 1 |
| 3 | 22956205 | WIPER HINGE SCREW COLLAR | FOR PLC-2760-7 | | | 2 |
| 4 | 22957104 | WIPER SOLENOID SHAFT | FOR PLC-2710-7 | | | 1 |
| 5 | 22957104 | WIPER SOLENOID SHAFT | FOR PLC-2760-7 | | | 2 |
| 6 | 22957203 | WIPER LINK COLLAR | FOR PLC-2710-7 | | | 1 |
| 7 | 22957203 | WIPER LINK COLLAR | FOR PLC-2760-7 | | | 2 |
| 8 | 40130057 | F_KNIFE_BASE | FOR PLC-2710-7 | | | 1 |
| 9 | 40130057 | F_KNIFE_BASE | FOR PLC-2760-7 | | | 2 |
| 10 | 13416508 | PIN_DIFF_ADJ | FOR PLC-2710-7 | | | 1 |
| 11 | 13416508 | PIN_DIFF_ADJ | FOR PLC-2760-7 | | | 2 |
| 12 | 40130051 | M_KNIFE_SHAFT | FOR PLC-2710-7 | | | 1 |
| 13 | 40130051 | M_KNIFE_SHAFT | FOR PLC-2760-7 | | | 2 |
| 14 | 40130049 | M_KNIFE_BASE | FOR PLC-2710-7 | | | 1 |
| 15 | 40130049 | M_KNIFE_BASE | FOR PLC-2760-7 | | | 2 |
| 16 | RE0500000K0 | E-RING | FOR PLC-2710-7 | | | 1 |
| 17 | RE0500000K0 | E-RING | FOR PLC-2760-7 | | | 2 |
| 18 | 40133503 | THREAD TRIMMER SOL BASE PLATE | FOR PLC-2710-7 | | | 1 |
| 19 | 40133503 | THREAD TRIMMER SOL BASE PLATE | FOR PLC-2760-7 | | | 2 |
| 20 | 40112234 | KNIFE_DRIVING_ARM_LINK | FOR PLC-2710-7 | | | 1 |
| 21 | 40112234 | KNIFE_DRIVING_ARM_LINK | FOR PLC-2760-7 | | | 2 |
| 22 | 40112235 | DRIVING_ARM_RETURN_SPRING | FOR PLC-2710-7 | | | 1 |
| 23 | 40112235 | DRIVING_ARM_RETURN_SPRING | FOR PLC-2760-7 | | | 2 |
| 24 | 40130059 | THREAD_TRIMMER_CAM_RIGHT | | | | 1 |
| 25 | 40130050 | MOVING_KNIFE | FOR PLC-2710-7 | | ☆ | 1 |
| 26 | 40130050 | MOVING_KNIFE | FOR PLC-2760-7 | | ☆ | 2 |
| 27 | 40130056 | FIXED_KNIFE | FOR PLC-2710-7 | | ☆ | 1 |
| 28 | 40130056 | FIXED_KNIFE | FOR PLC-2760-7 | | ☆ | 2 |
| 29 | 40130055 | CLAMP_SPRING | FOR PLC-2710-7 | | ☆ | 1 |
| 30 | 40130055 | CLAMP_SPRING | FOR PLC-2760-7 | | ☆ | 2 |
| 31 | 40123248 | MOVING_KNIFE_DRIVING_ARM | FOR PLC-2710-7 | | | 1 |
| 32 | 40123248 | MOVING_KNIFE_DRIVING_ARM | FOR PLC-2760-7 | | | 2 |
| 33 | 13319405 | MAIN_FEED_ROCKER_PIN | FOR PLC-2710-7 | | | 1 |
| 34 | 13319405 | MAIN_FEED_ROCKER_PIN | FOR PLC-2760-7 | | | 2 |
| 35 | 13461504 | LINK_PIN | FOR PLC-2710-7 | | | 1 |
| 36 | 13461504 | LINK_PIN | FOR PLC-2760-7 | | | 2 |
| 37 | 40130052 | M_KNIFE_ARM_A | FOR PLC-2710-7 | | | 1 |
| 38 | 40130052 | M_KNIFE_ARM_A | FOR PLC-2760-7 | | | 2 |
| 39 | 40130053 | M_KNIFE_LINK | FOR PLC-2710-7 | | | 1 |
| 40 | 40130053 | M_KNIFE_LINK | FOR PLC-2760-7 | | | 2 |
| 41 | 40130054 | M_KNIFE_ARM_B | FOR PLC-2710-7 | | | 1 |
| 42 | 40130054 | M_KNIFE_ARM_B | FOR PLC-2760-7 | | | 2 |
| 43 | 40130058 | M_KNIFE_DRIVING_SHAFT | FOR PLC-2710-7 | | | 1 |
| 44 | 40130058 | M_KNIFE_DRIVING_SHAFT | FOR PLC-2760-7 | | | 2 |
| 45 | SM6051202TP | SCREW M5X0.8 L=12 | FOR PLC-2710-7 | | | 1 |
| 46 | SM6051202TP | SCREW M5X0.8 L=12 | FOR PLC-2760-7 | | | 2 |
| 47 | SM8040312TP | SCREW M4 L=3 | FOR PLC-2710-7 | | | 2 |

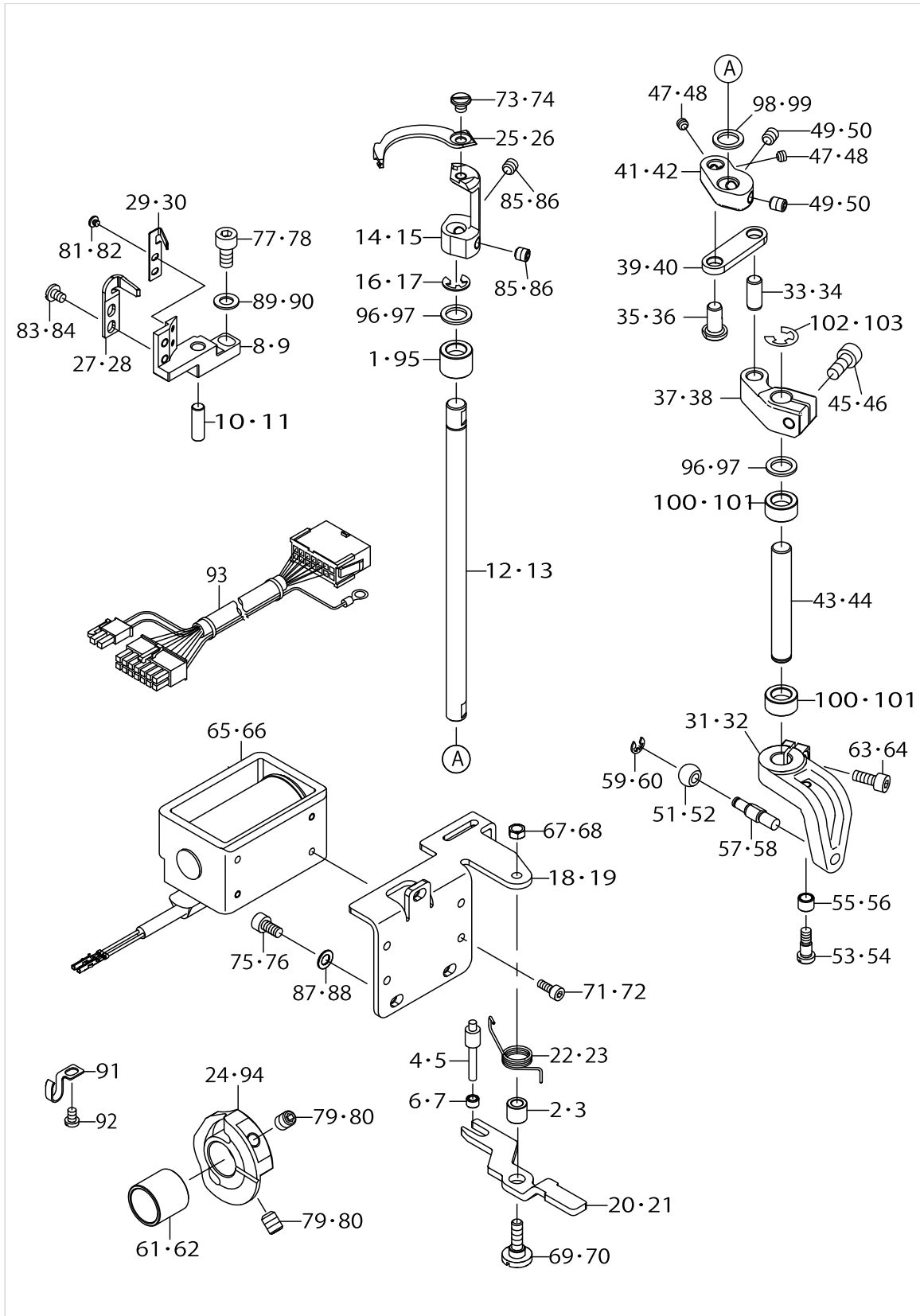
THREAD CUTTING COMPONENTS(FOR PLC-2710-7,2760-7)



THREAD CUTTING COMPONENTS(FOR PLC-2710-7,2760-7)

| No. | Parts No. | Parts name | Remarks | Level | Cons | Qty |
|-----|-------------|----------------------------|----------------|-------|------|-----|
| 48 | SM8040312TP | SCREW M4 L=3 | FOR PLC-2760-7 | | | 4 |
| 49 | SM8050612TP | SCREW M5X6 | FOR PLC-2710-7 | | | 2 |
| 50 | SM8050612TP | SCREW M5X6 | FOR PLC-2760-7 | | | 4 |
| 51 | 21470505 | CAM ROLLER(245-7SP) | FOR PLC-2710-7 | | | 1 |
| 52 | 21470505 | CAM ROLLER(245-7SP) | FOR PLC-2760-7 | | | 2 |
| 53 | SD0460576TP | SHOULDER SCREW D=4.6 H=5.7 | FOR PLC-2710-7 | | | 1 |
| 54 | SD0460576TP | SHOULDER SCREW D=4.6 H=5.7 | FOR PLC-2760-7 | | | 2 |
| 55 | B2508047000 | BLOCK ROLLER | FOR PLC-2710-7 | | | 1 |
| 56 | B2508047000 | BLOCK ROLLER | FOR PLC-2760-7 | | | 2 |
| 57 | 40130593 | ROLLER_SHAFT | FOR PLC-2710-7 | | | 1 |
| 58 | 40130593 | ROLLER_SHAFT | FOR PLC-2760-7 | | | 2 |
| 59 | RE0300000K0 | E-RING 3 | FOR PLC-2710-7 | | | 1 |
| 60 | RE0300000K0 | E-RING 3 | FOR PLC-2760-7 | | | 2 |
| 61 | 40130620 | SPACER | FOR PLC-2710-7 | | | 1 |
| 62 | 40130620 | SPACER | FOR PLC-2760-7 | | | 2 |
| 63 | SM6041002TP | SCREW M4X0.7 L=10 | FOR PLC-2710-7 | | | 1 |
| 64 | SM6041002TP | SCREW M4X0.7 L=10 | FOR PLC-2760-7 | | | 2 |
| 65 | 40151263 | THREAD_TRIMMER_SOLENOID | FOR PLC-2710-7 | | | 1 |
| 66 | 40151263 | THREAD_TRIMMER_SOLENOID | FOR PLC-2760-7 | | | 2 |
| 67 | NS6110310SP | HEXAGONAL NUT 11/64-40 | FOR PLC-2710-7 | | | 1 |
| 68 | NS6110310SP | HEXAGONAL NUT 11/64-40 | FOR PLC-2760-7 | | | 2 |
| 69 | SD0650321TP | SHOULDER SCREW D=6.5 H=3.2 | FOR PLC-2710-7 | | | 1 |
| 70 | SD0650321TP | SHOULDER SCREW D=6.5 H=3.2 | FOR PLC-2760-7 | | | 2 |
| 71 | SM6030602TP | SCREW M3X0.5 L=6 | FOR PLC-2710-7 | | | 4 |
| 72 | SM6030602TP | SCREW M3X0.5 L=6 | FOR PLC-2760-7 | | | 8 |
| 73 | SS6110480SP | SCREW 11/64-40 L=4.3 | FOR PLC-2710-7 | | | 1 |
| 74 | SS6110480SP | SCREW 11/64-40 L=4.3 | FOR PLC-2760-7 | | | 2 |
| 75 | SM6040802TP | SCREW M4X0.7 L=8 | FOR PLC-2710-7 | | | 3 |
| 76 | SM6040802TP | SCREW M4X0.7 L=8 | FOR PLC-2760-7 | | | 6 |
| 77 | SM6051002TP | SCREW M5X0.8 L=10 | FOR PLC-2710-7 | | | 1 |
| 78 | SM6051002TP | SCREW M5X0.8 L=10 | FOR PLC-2760-7 | | | 2 |
| 79 | SM8060812TP | SCREW M6 L=8 | FOR PLC-2710-7 | | | 2 |
| 80 | SM8060812TP | SCREW M6 L=8 | FOR PLC-2760-7 | | | 4 |
| 81 | SS6060220SP | SCREW 3/32-56 L=2.0 | FOR PLC-2710-7 | | | 2 |
| 82 | SS6060220SP | SCREW 3/32-56 L=2.0 | FOR PLC-2760-7 | | | 4 |
| 83 | SS6090520SP | SCREW 9/64-40 L=5.0 | FOR PLC-2710-7 | | | 2 |
| 84 | SS6090520SP | SCREW 9/64-40 L=5.0 | FOR PLC-2760-7 | | | 4 |
| 85 | SM8050512TP | SCREW | FOR PLC-2710-7 | | | 2 |
| 86 | SM8050512TP | SCREW | FOR PLC-2760-7 | | | 4 |
| 87 | WP0450000SD | WASHER 4.5X8X0.5 | FOR PLC-2710-7 | | | 3 |
| 88 | WP0450000SD | WASHER 4.5X8X0.5 | FOR PLC-2760-7 | | | 6 |
| 89 | WP0550800SP | WASHER 5.5X10X0.8 | FOR PLC-2710-7 | | | 1 |
| 90 | WP0550800SP | WASHER 5.5X10X0.8 | FOR PLC-2760-7 | | | 2 |
| 91 | 26231902 | OIL WICK PIPE STOPPER | | | | 1 |
| 92 | SM4040655SP | SCREW M4 L=6 | | | | 1 |
| 93 | 40139455 | SOLENOID RELAY CABLE ASM. | | | | 1 |
| 94 | 40130060 | THREAD_TRIMMER_CAM_LEFT | FOR PLC-2760-7 | | | 1 |

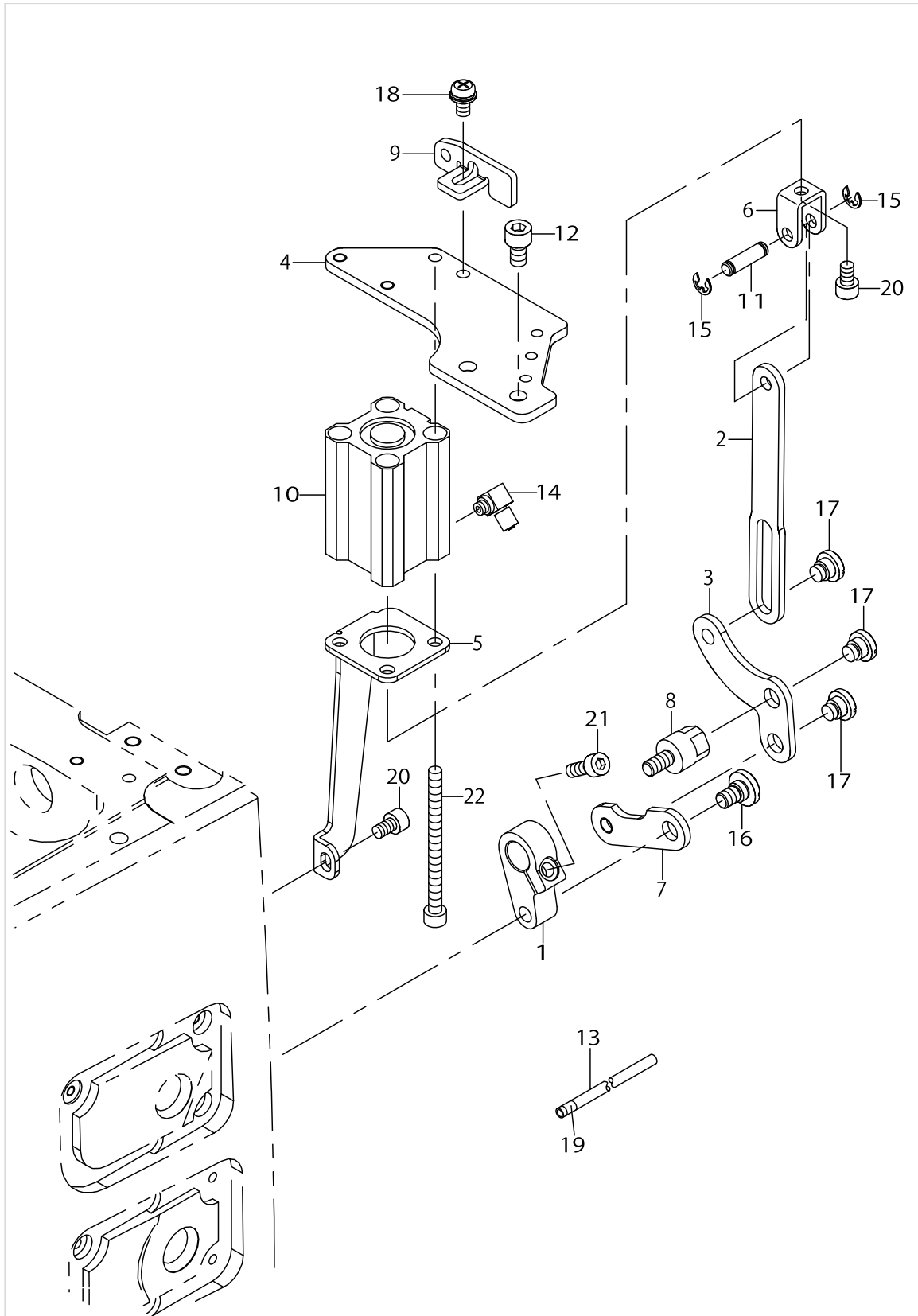
THREAD CUTTING COMPONENTS(FOR PLC-2710-7,2760-7)



THREAD CUTTING COMPONENTS(FOR PLC-2710-7,2760-7)

| No. | Parts No. | Parts name | Remarks | Level | Cons | Qty |
|-----|-------------|------------|----------------|-------|------|-----|
| 95 | 40138044 | BEARING | FOR PLC-2760-7 | | | 2 |
| 96 | 40137802 | WASHER | FOR PLC-2710-7 | | | 2 |
| 97 | 40137802 | WASHER | FOR PLC-2760-7 | | | 4 |
| 98 | 40137803 | WASHER | FOR PLC-2710-7 | | | 1 |
| 99 | 40137803 | WASHER | FOR PLC-2760-7 | | | 2 |
| 100 | 40137999 | BEARING | FOR PLC-2710-7 | | | 2 |
| 101 | 40137999 | BEARING | FOR PLC-2760-7 | | | 4 |
| 102 | RE0500000K0 | E-RING | FOR PLC-2710-7 | | | 1 |
| 103 | RE0500000K0 | E-RING | FOR PLC-2760-7 | | | 2 |

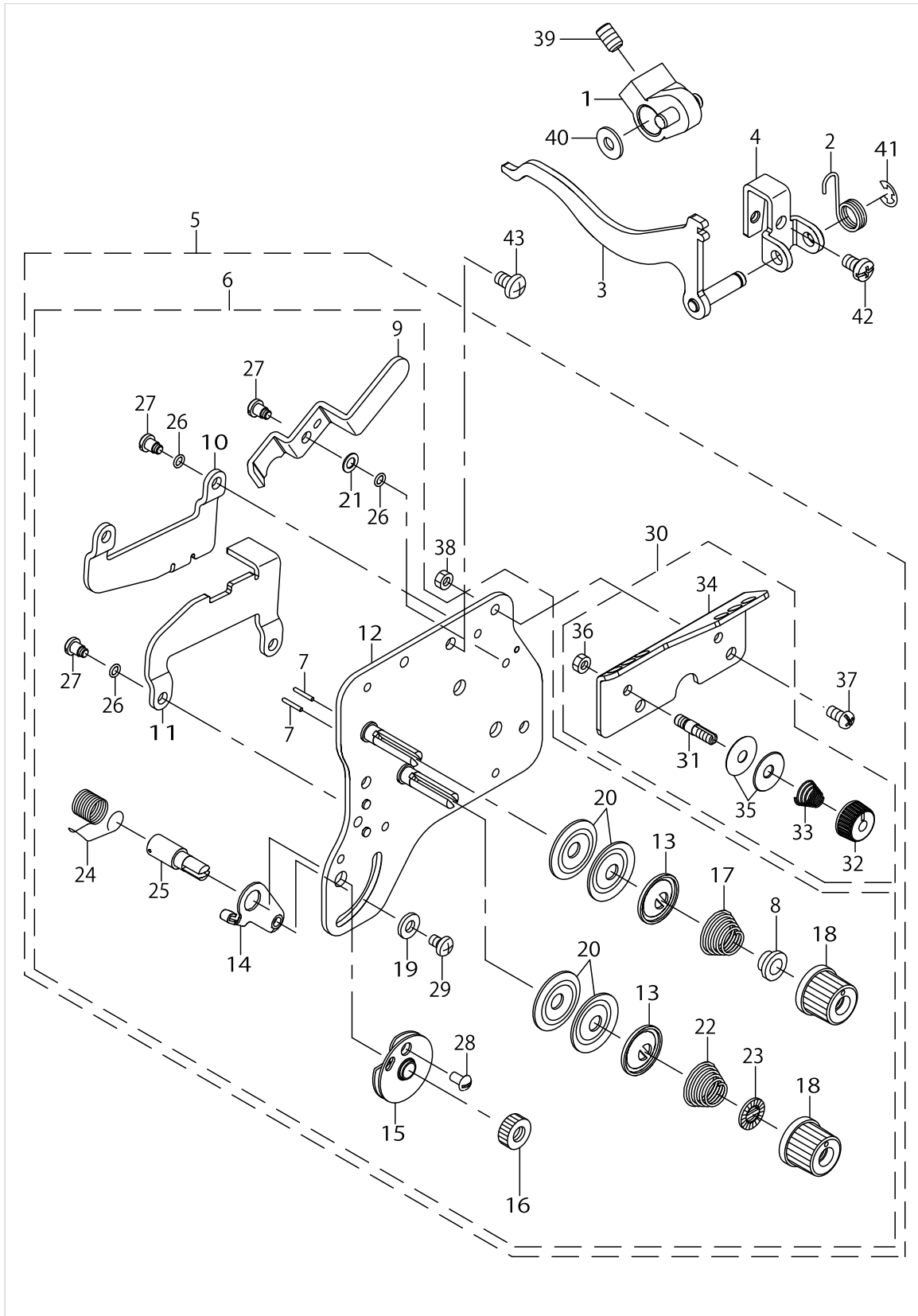
CONDENSE COMPONENTS(FOR PLC-2710-7,2760-7)



CONDENSE COMPONENTS(FOR PLC-2710-7,2760-7)

| No. | Parts No. | Parts name | Remarks | Level | Cons | Qty |
|-----|-------------|---------------------------|---------|-------|------|------|
| 1 | 40133612 | CONDENSE ARM | | | | 1 |
| 2 | 40112137 | LINK_A | | | | 1 |
| 3 | 40112138 | LINK_B | | | | 1 |
| 4 | 40125872 | CYLINDER_BRACKET | | | | 1 |
| 5 | 40112140 | CYLINDER_STAY | | | | 1 |
| 6 | 40112149 | CYLINDER_KNUCKLE | | | | 1 |
| 7 | 40133655 | LINK D | | | | 1 |
| 8 | 40171514 | BT_LINK_STUD | | | | 1 |
| 9 | 40112228 | MOTOR_COVER_FITTING_PLATE | | | | 1 |
| 10 | PA200350300 | AIR CYLINDER | | | | 1 |
| 11 | D2464555B00 | LINK DRIVING MAGNET PIN | | | | 1 |
| 12 | SM6061002TP | SCREW M6 L=10 | | | | 2 |
| 13 | BT0400251EB | URETHANE HOSE BLACK | | | | 0.27 |
| 14 | PJ046052503 | HOSE ELBOW | | | | 1 |
| 15 | RE0400000K0 | E-RING 4 | | | | 2 |
| 16 | SD0800321TH | HINGE SCREW D=8 H=3.2 | | | | 1 |
| 17 | SD0800341SP | HINGE SCREW D=8 H=3.4 | | | | 3 |
| 18 | SL4051091SC | SCREW M5X0.8 L=10 | | | | 1 |
| 19 | 18035303 | WIRE MARK (4) | | | | 1 |
| 20 | SM6050802TP | SCREW M5X0.8 L=8 | | | | 2 |
| 21 | SM6051402TP | SCREW M5X0.8 L=14 | | | | 1 |
| 22 | SM6056552TP | SCREW | | | | 3 |

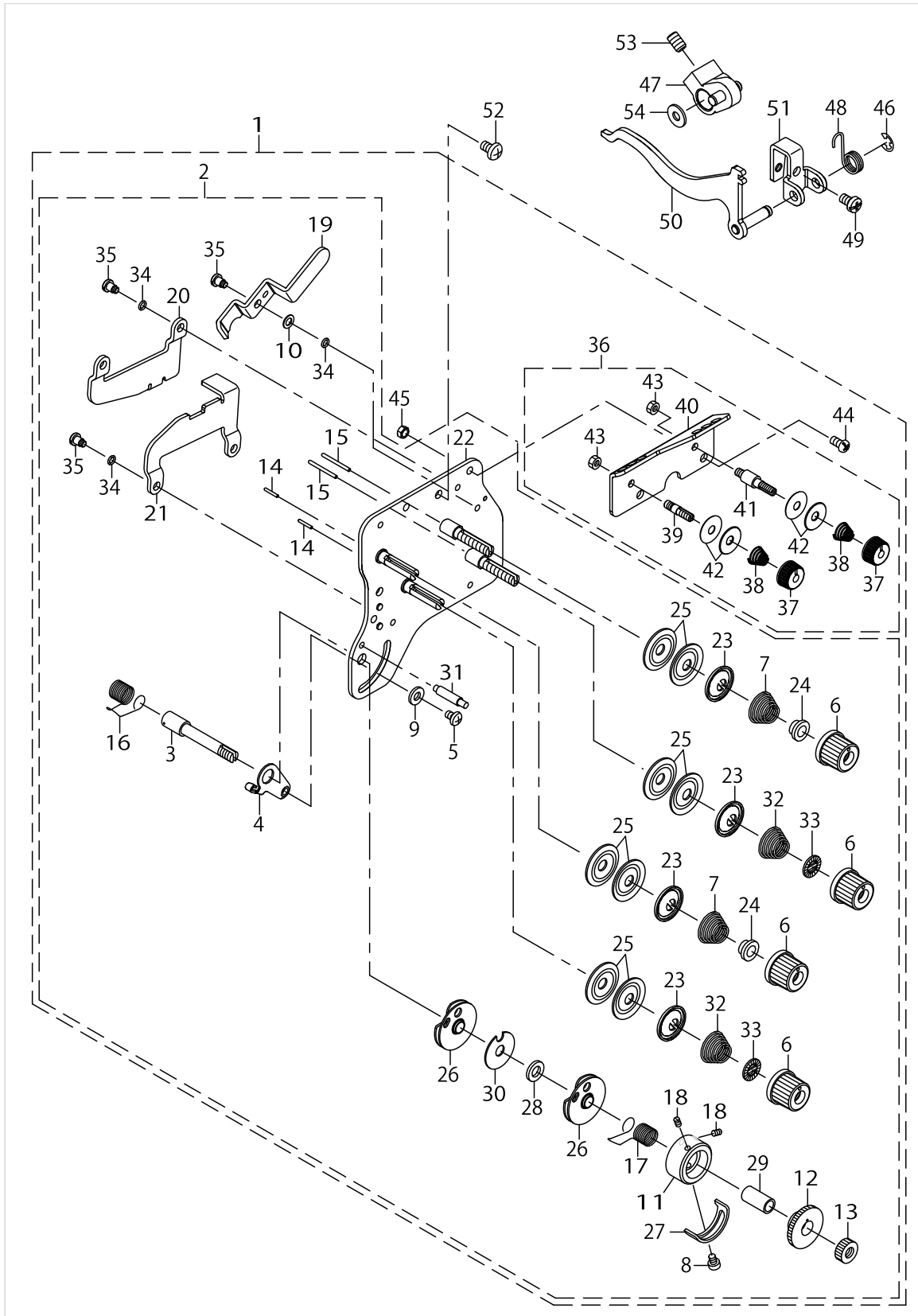
THREAD TENSION COMPONENTS(FOR PLC-2710,2710-7)



THREAD TENSION COMPONENTS(FOR PLC-2710,2710-7)

| No. | Parts No. | Parts name | Remarks | Level | Cons | Qty |
|-----|-------------|-------------------------------|---------|-------|------|-----|
| 1 | 22912257 | FEED REVERSE ARM ASM. | | | | 1 |
| 2 | 22954309 | REVERSE FEED SWITCH SPRING | | | | 1 |
| 3 | 40126265 | DISK_RELEASE_LINK_ASM. | | | | 1 |
| 4 | 40125873 | DISK_RELEASE_LINK_BASE | | | | 1 |
| 5 | 40176347 | THREAD_TENSION_ASSY_2710 | | | | 1 |
| 6 | 40176349 | THREAD_TENSION_PLATE_ASM_2710 | | * | | 1 |
| 7 | 22618201 | TENSION RELEASE PIN A | | * | ☆ | 2 |
| 8 | B3112704000 | TENSION SPRING BUSHING | | * | | 1 |
| 9 | 40112204 | TENSION_RELEASE_LEVER | | * | | 1 |
| 10 | 40112218 | DISK_RELEASE_PLATE_A | | * | | 1 |
| 11 | 40112219 | DISK_RELEASE_PLATE_B | | * | | 1 |
| 12 | 40126404 | ASSY_TENSION_BASE_PLATE | | * | | 1 |
| 13 | 40126724 | TENSION_DISC HOLDER | | * | | 2 |
| 14 | 10697506 | THREAD TENSION BRACKET A | | * | | 1 |
| 15 | B31375270A0 | TAKE-UP SPRING GUIDE ASM. | | * | | 1 |
| 16 | 22617807 | NUT | | * | | 1 |
| 17 | 12938304 | TENSION SPRING | | * | ☆ | 1 |
| 18 | 13817408 | THREAD TENSION NUT | | * | | 2 |
| 19 | WP0501016SD | WASHER 5X10.5X1 | | * | | 1 |
| 20 | 22921506 | THREAD TENSION DISK | | * | ☆ | 4 |
| 21 | WP0460556SD | WASHER 4.6X7.5X0.5 | | * | | 1 |
| 22 | B3129053000 | TENSION SPRING | | * | | 1 |
| 23 | 22921407 | ROTATION STOPPER | | * | | 1 |
| 24 | 22618706 | THREAD TAKE-UP SPRING A | | * | ☆ | 1 |
| 25 | 10320109 | SCREW STUD | | * | | 1 |
| 26 | RO037180100 | RUBBER RING | | * | | 5 |
| 27 | SD0450401SP | HINGE SCREW D=4.5 H=4 | | * | | 5 |
| 28 | SS3090710TP | SCREW 9/64-40 L=7 | | * | | 1 |
| 29 | SS4110615SP | SCREW 11/64-40 L=6 | | * | | 1 |
| 30 | 40155958 | THREAD_GUIDE_PLATE_ASM_2810 | | * | | 1 |
| 31 | 40155994 | TEREAD_TENSION_POST_A | | * | | 1 |
| 32 | 22945703 | THREAD TENSION NUT | | * | | 1 |
| 33 | 22963409 | THREAD TENSION SPRING | | * | ☆ | 1 |
| 34 | 40155960 | THREAD_GUIDE_PLATE | | * | | 1 |
| 35 | 22945802 | THREAD TENSION DISK | | * | ☆ | 1 |
| 36 | NS6110310SP | NUT 11/64-40 | | * | | 1 |
| 37 | SS4110815SP | SCREW 11/64-40 L=8 | | * | | 2 |
| 38 | NS6110310SP | HEXAGONAL NUT 11/64-40 | | * | | 2 |
| 39 | SS8661012TP | SCREW | | | | 1 |
| 40 | 22528509 | FELT | | | | 1 |
| 41 | RE0500000K0 | E-RING | | | | 1 |
| 42 | SM4050855SP | SCREW | | | | 1 |
| 43 | SM4051001SN | SCREW M5 | | | | 3 |

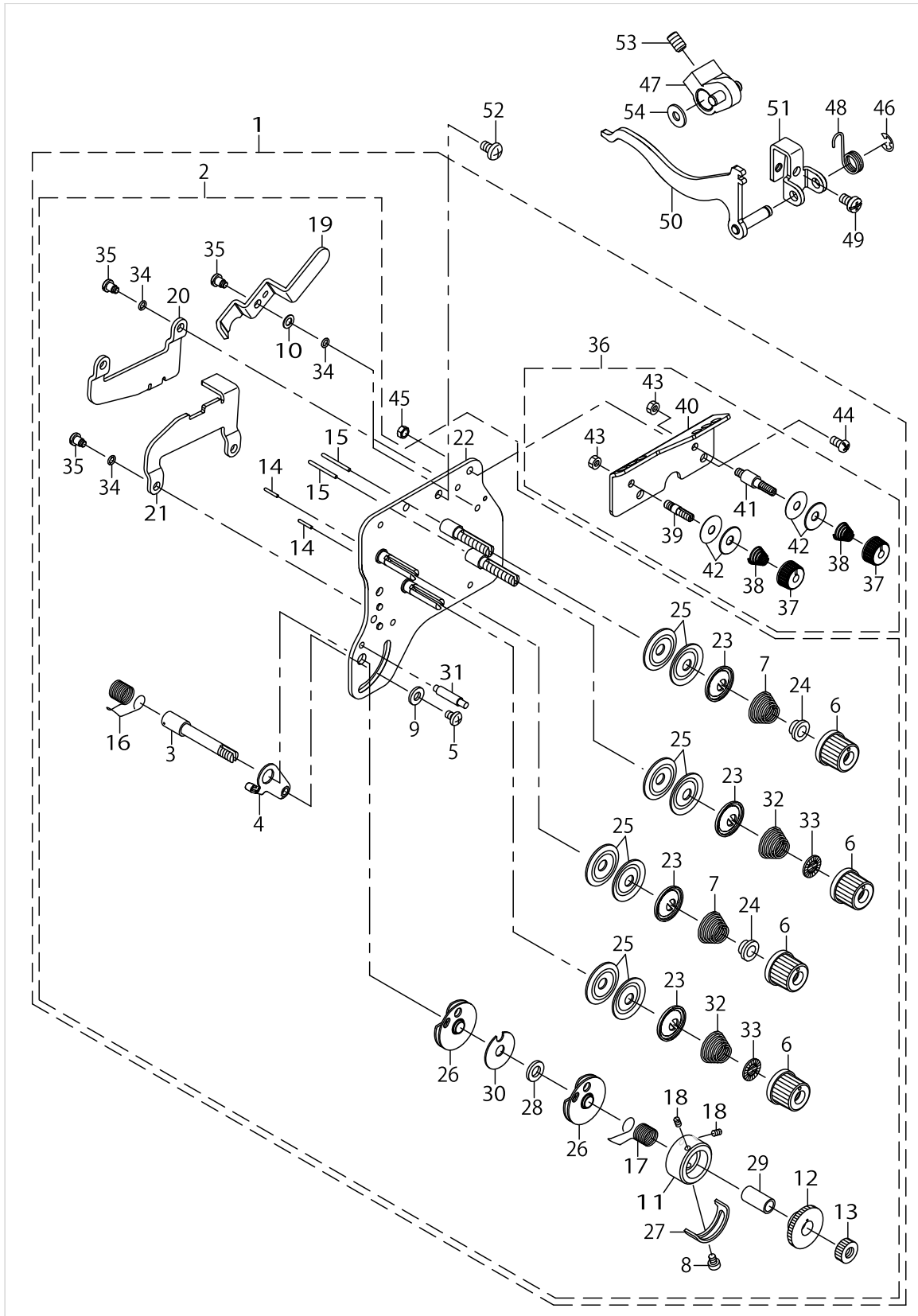
THREAD TENSION COMPONENTS(FOR PLC-2760,2760-7,2760L)



THREAD TENSION COMPONENTS(FOR PLC-2760,2760-7,2760L)

| No. | Parts No. | Parts name | Remarks | Level | Cons | Qty |
|-----|-------------|-------------------------------|---------|-------|------|-----|
| 1 | 40176348 | THREAD_TENSION_ASSY_2760 | | | | 1 |
| 2 | 40176350 | THREAD_TENSION_PLATE_ASM_2760 | | * | | 1 |
| 3 | 10697605 | THREAD TAKE-UP SPRING STUD | | * | | 1 |
| 4 | 10697506 | THREAD TENSION BRACKET A | | * | | 1 |
| 5 | SS4110615SP | SCREW 11/64-40 L=6 | | * | | 1 |
| 6 | 13817408 | THREAD TENSION NUT | | * | ☆ | 4 |
| 7 | 12938304 | TENSION SPRING | | * | ☆ | 2 |
| 8 | SS7090510SP | SCREW 9/64-40 L=4.6 | | * | | 1 |
| 9 | WP0501016SD | WASHER 5X10.5X1 | | * | | 1 |
| 10 | WP0460556SD | WASHER 4.6X7.5X0.5 | | * | | 1 |
| 11 | 22617609 | THREAD TENSION POST | | * | | 1 |
| 12 | 22617708 | TAKE-UP SPRING GUIDE | | * | | 1 |
| 13 | 22617807 | NUT | | * | | 1 |
| 14 | 22618201 | TENSION RELEASE PIN A | | * | ☆ | 2 |
| 15 | 22618300 | TENSION RELEASE PIN B | | * | ☆ | 2 |
| 16 | 22618706 | THREAD TAKE-UP SPRING A | | * | ☆ | 1 |
| 17 | 22618805 | THREAD TAKE-UP SPRING B | | * | ☆ | 1 |
| 18 | 22618904 | SET SCREW | | * | | 2 |
| 19 | 40112204 | TENSION_RELEASE_LEVER | | * | | 1 |
| 20 | 40112218 | DISK_RELEASE_PLATE_A | | * | | 1 |
| 21 | 40112219 | DISK_RELEASE_PLATE_B | | * | | 1 |
| 22 | 40126557 | ASSY_TENSION_BASE_PLATE | | * | | 1 |
| 23 | 40126724 | TENSION_DISC HOLDER | | * | | 4 |
| 24 | B3112704000 | TENSION SPRING BUSHING | | * | | 2 |
| 25 | 22921506 | THREAD TENSION DISK | | * | ☆ | 8 |
| 26 | B31375270A0 | TAKE-UP SPRING GUIDE ASM. | | * | | 2 |
| 27 | B3138527000 | ADJUSTING PLATE B | | * | | 1 |
| 28 | B3139527000 | COLLAR | | * | | 1 |
| 29 | B3141527000 | PRESSER COLLAR | | * | | 1 |
| 30 | B3142527000 | TAKE-UP SPRING GUIDE PLATE | | * | | 1 |
| 31 | B3143527000 | TAKE-UP SPRING GUIDE STUD | | * | | 1 |
| 32 | B312905300 | TENSION SPRING | | * | ☆ | 2 |
| 33 | 22921407 | ROTATION STOPPER | | * | | 2 |
| 34 | RO037180100 | RUBBER RING | | * | | 5 |
| 35 | SD0450401SP | HINGE SCREW D=4.5 H=4 | | * | | 5 |
| 36 | 40155959 | THREAD_GUIDE_PLATE_ASM_2860 | | * | | 1 |
| 37 | 22945703 | THREAD TENSION NUT | | * | | 2 |
| 38 | 22963409 | THREAD TENSION SPRING | | * | ☆ | 2 |
| 39 | 40155994 | TEREAD_TENSION_POST_A | | * | | 1 |
| 40 | 40155960 | THREAD_GUIDE_PLATE | | * | | 1 |
| 41 | 40155995 | TEREAD_TENSION_POST_B | | * | | 1 |
| 42 | 22945802 | THREAD TENSION DISK | | * | ☆ | 4 |
| 43 | NS6110310SP | HEXAGONAL NUT 11/64-40 | | * | | 2 |
| 44 | SS4110815SP | SCREW 11/64-40 L=8 | | * | | 2 |
| 45 | NS6110310SP | NUT 11/64-40 | | * | | 2 |
| 46 | RE0500000K0 | E-RING | | | | 1 |
| 47 | 22912257 | FEED REVERSE ARM ASM. | | | | 1 |

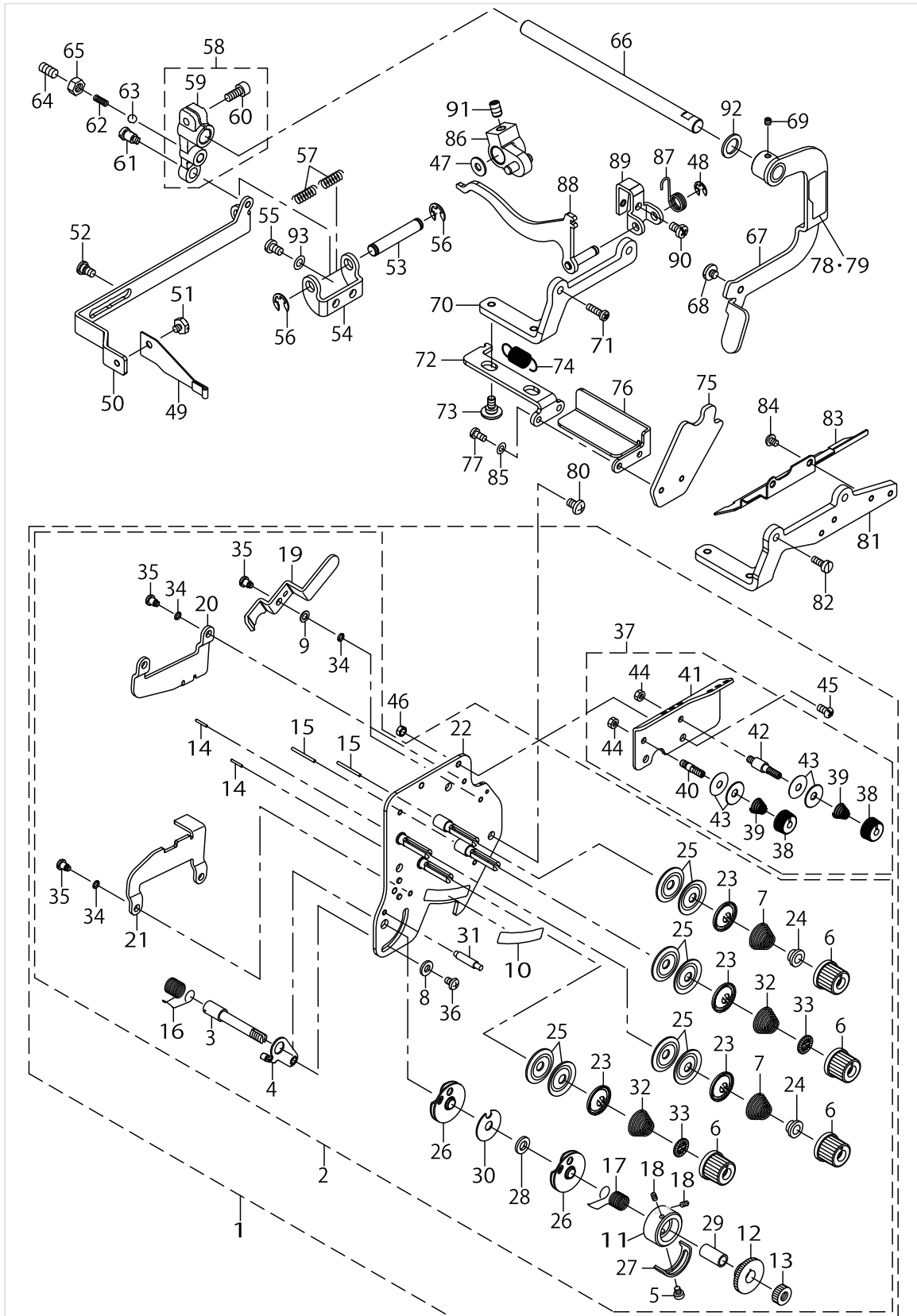
THREAD TENSION COMPONENTS(FOR PLC-2760,2760-7,2760L)



THREAD TENSION COMPONENTS(FOR PLC-2760,2760-7,2760L)

| No. | Parts No. | Parts name | Remarks | Level | Cons | Qty |
|-----|-------------|----------------------------|---------|-------|------|-----|
| 48 | 22954309 | REVERSE FEED SWITCH SPRING | | | | 1 |
| 49 | SM4050855SP | SCREW | | | | 1 |
| 50 | 40126265 | DISK_RELEASE_LINK_ASM. | | | | 1 |
| 51 | 40125873 | DISK_RELEASE_LINK_BASE | | | | 1 |
| 52 | SM4051001SN | SCREW M5 | | | | 3 |
| 53 | SS8661012TP | SCREW | | | | 1 |
| 54 | 22528509 | FELT | | | | 1 |

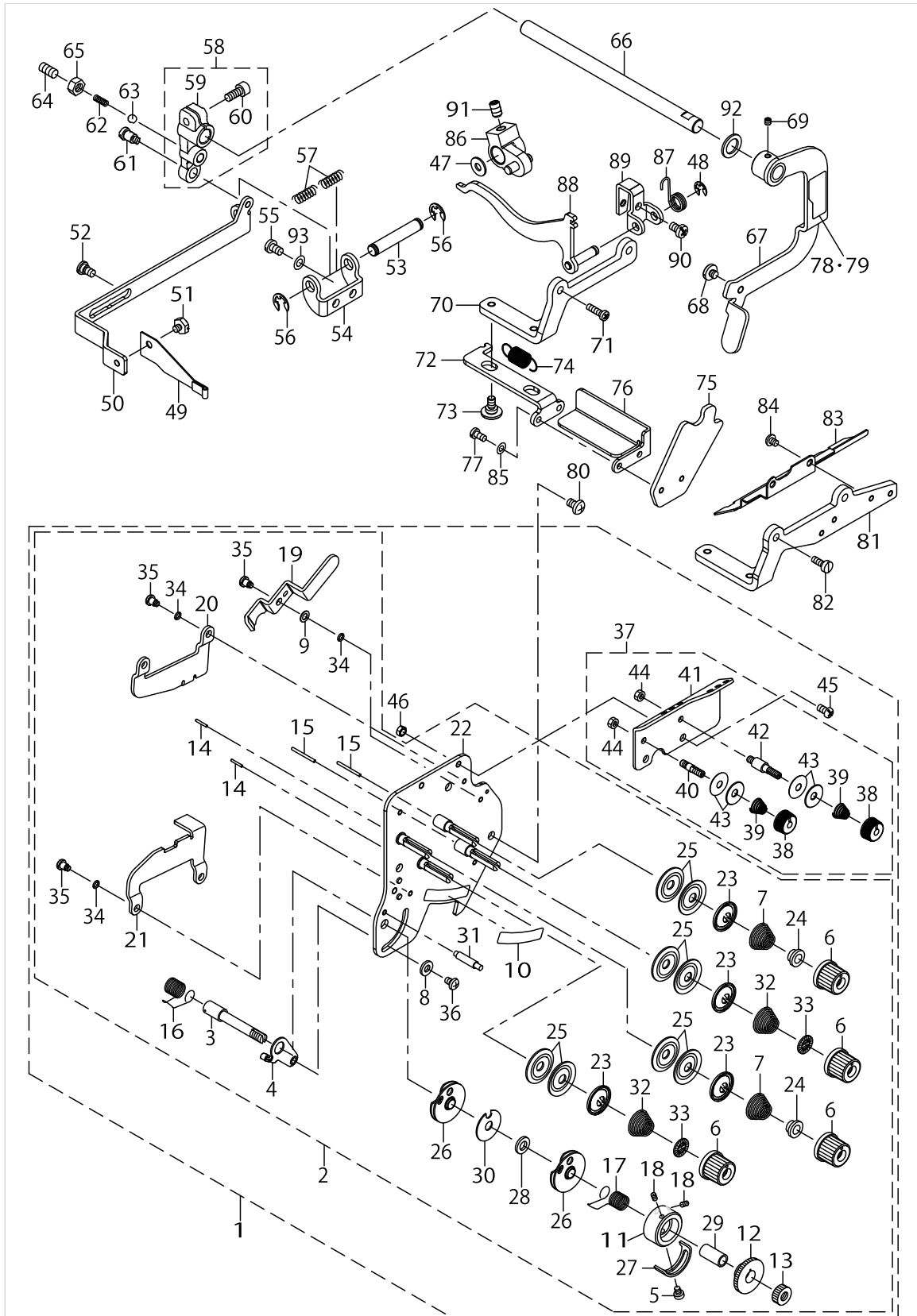
NEEDLE STOP CHANGE LEVER & THREAD TENSION COMPONENTS(FOR PLC-2765)



NEEDLE STOP CHANGE LEVER & THREAD TENSION COMPONENTS(FOR PLC-2765)

| No. | Parts No. | Parts name | Remarks | Level | Cons | Qty |
|-----|-------------|-------------------------------|---------|-------|------|-----|
| 1 | 40177393 | THREAD_TENSION_ASSY_2765 | | | | 1 |
| 2 | 40177394 | THREAD_TENSION_PLATE_ASM_2765 | | * | | 1 |
| 3 | 10697605 | THREAD TAKE-UP SPRING STUD | | * | | 1 |
| 4 | 10697506 | THREAD TENSION BRACKET | | * | | 1 |
| 5 | SS7090510SP | SCREW 9/64-40 L=4.6 | | * | | 1 |
| 6 | 13817408 | THREAD TENSION NUT | | * | ☆ | 4 |
| 7 | 12938304 | TENSION SPRING | | * | ☆ | 2 |
| 8 | WP0501016SD | WASHER 5X10.5X1 | | * | | 1 |
| 9 | WP0460556SD | WASHER 4.6X7.5X0.5 | | * | | 1 |
| 10 | 40138484 | TENSION PLATE LABEL | | * | | 1 |
| 11 | 22617609 | THREAD TENSION POST | | * | | 1 |
| 12 | 22617708 | TAKE-UP SPRING GUIDE | | * | | 1 |
| 13 | 22617807 | NUT | | * | | 1 |
| 14 | 22618201 | TENSION RELEASE PIN | | * | ☆ | 2 |
| 15 | 22618300 | TENSION RELEASE PIN | | * | ☆ | 2 |
| 16 | 22618706 | THREAD TAKE-UP SPRING A | | * | ☆ | 1 |
| 17 | 22618805 | THREAD TAKE-UP SPRING B | | * | ☆ | 1 |
| 18 | 22618904 | SET SCREW | | * | | 2 |
| 19 | 40112204 | TENSION_RELEASE_LEVER | | * | | 1 |
| 20 | 40112218 | DISK_RELEASE_PLATE_A | | * | | 1 |
| 21 | 40112219 | DISK_RELEASE_PLATE_B | | * | | 1 |
| 22 | 40131668 | ASSY_TENSION_BASE_PLATE_2865 | | * | | 1 |
| 23 | 40126724 | TENSION_DISC_HOLDER | | * | | 4 |
| 24 | B3112704000 | TENSION SPRING BUSHING | | * | | 2 |
| 25 | 22921506 | THREAD TENSION DISK | | * | ☆ | 8 |
| 26 | B31375270A0 | TAKE-UP SPRING GUIDE ASM. | | * | | 2 |
| 27 | B3138527000 | ADJUSTING PLATE B | | * | | 1 |
| 28 | B3139527000 | COLLAR | | * | | 1 |
| 29 | B3141527000 | PRESSER COLLAR | | * | | 1 |
| 30 | B3142527000 | TAKE-UP SPRING GUIDE PLATE | | * | | 1 |
| 31 | B3143527000 | TAKE-UP SPRING GUIDE STUD | | * | | 1 |
| 32 | B3129053000 | TENSION SPRING | | * | | 2 |
| 33 | 22921407 | ROTATION STOPPER | | * | | 2 |
| 34 | RO037180100 | O-RING | | * | | 5 |
| 35 | SD0450401SP | SHOULDER SCREW D=4.5 H=4 | | * | | 5 |
| 36 | SS4110615SP | SCREW 11/64-40 L=6 | | * | | 1 |
| 37 | 40177402 | THREAD_GUIDE_PLATE_ASM_2765 | | * | | 1 |
| 38 | 22945703 | THREAD TENSION NUT | | * | | 2 |
| 39 | 22963409 | THREAD TENSION SPRING | | * | ☆ | 2 |
| 40 | 40155994 | TEREAD_TENSION_POST_A | | * | | 1 |
| 41 | 40177400 | THREAD_GUIDE_PLATE_2765 | | * | | 1 |
| 42 | 40155995 | TEREAD_TENSION_POST_B | | * | | 1 |
| 43 | 22945802 | THREAD TENSION DISK | | * | ☆ | 4 |
| 44 | NS6110310SP | HEXAGONAL NUT 11/64-40 | | * | | 2 |
| 45 | SS4110815SP | SCREW 11/64-40 L=8 | | * | | 2 |
| 46 | NS6110310SP | HEXAGONAL NUT 11/64-40 | | * | | 2 |
| 47 | 22528509 | FELT | | | | 1 |

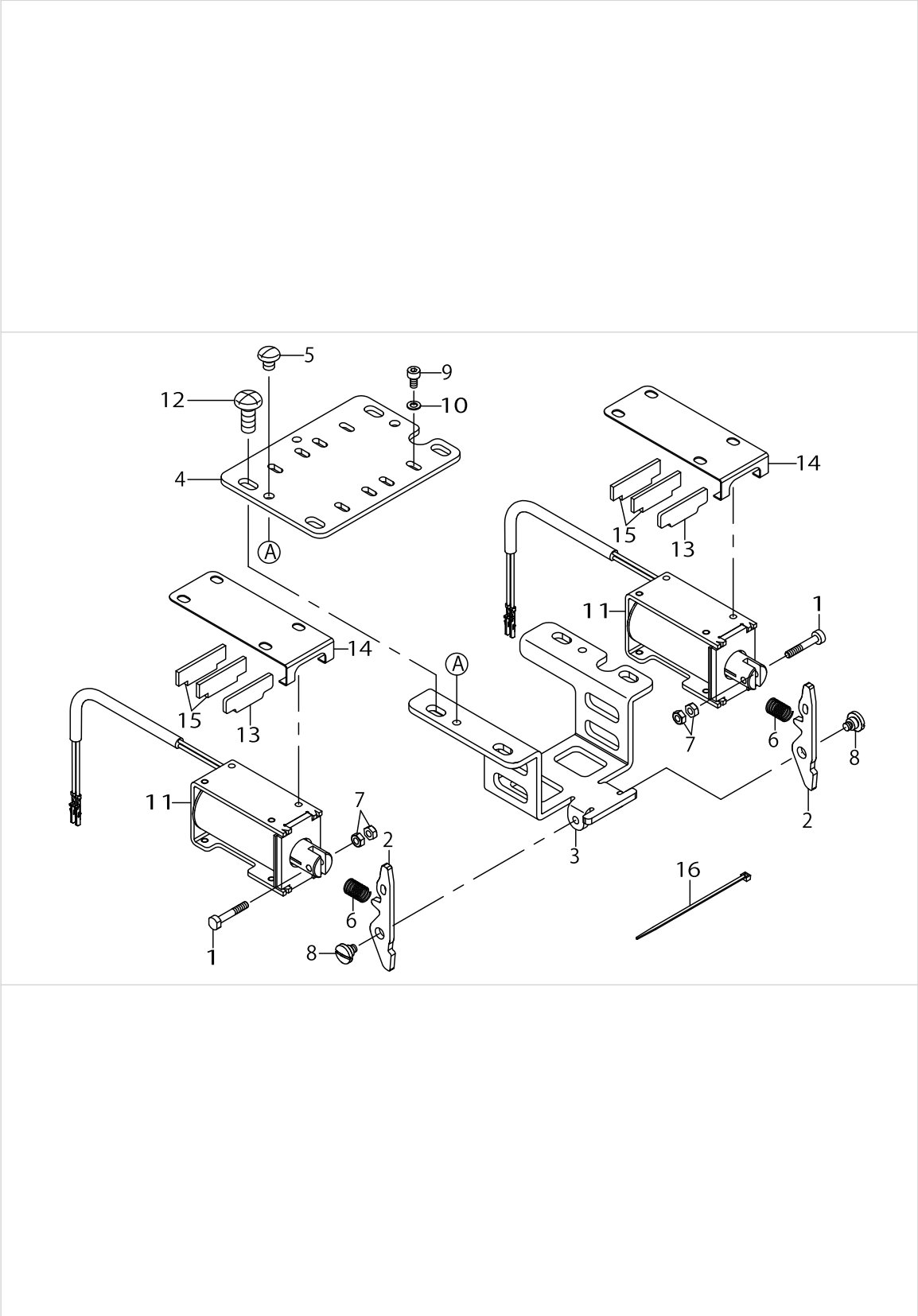
NEEDLE STOP CHANGE LEVER & THREAD TENSION COMPONENTS(FOR PLC-2765)



NEEDLE STOP CHANGE LEVER & THREAD TENSION COMPONENTS(FOR PLC-2765)

| No. | Parts No. | Parts name | Remarks | Level | Cons | Qty |
|-----|-------------|-----------------------------|-----------------|-------|------|-----|
| 48 | RE050000K0 | E-RING | | | | 1 |
| 49 | 40131657 | LEAF_SPRING | | | | 1 |
| 50 | 40131658 | REPOSITIONING_PLATE | | | | 1 |
| 51 | SS9110460CP | SCREW 11/64-40 L=4 | | | | 1 |
| 52 | SD0600346TP | SHOULDER SCREW | | | | 2 |
| 53 | 22687701 | SPRING SHAFT | | | | 1 |
| 54 | 40131659 | SPRING_BASE | | | | 1 |
| 55 | SM4050855SP | SCREW | | | | 2 |
| 56 | RE070000K0 | E-RING 7 | | | | 2 |
| 57 | 22687503 | SPRING | | | | 2 |
| 58 | 40032327 | ASSY_REPOSITIONING_ARM | | | | 1 |
| 59 | 40028556 | REPOSITIONING_ARM | | * | | 1 |
| 60 | SM6051202TP | SCREW M5X0.8 L=12 | | * | | 1 |
| 61 | SD0640752TP | SHOULDER SCREW D=6.35 H=7.5 | | | | 1 |
| 62 | 40028641 | ADJUSTING_SPRING | | | | 1 |
| 63 | 22615702 | OIL ADJUSTING BALL | | | | 1 |
| 64 | SM8061212TP | SCREW M6X12 | | | | 1 |
| 65 | NM6060001CP | NUT M6X1 TYPE1 | | | | 1 |
| 66 | 40138477 | REPOSITIONING LEVER SHAFT | | | | 1 |
| 67 | 40131660 | ASSY_REPOSITIONING_LEVER | | | | 1 |
| 68 | SM6050450TP | SCREW M5 L=4 | | | | 1 |
| 69 | SM8040412TP | SCREW M4X4 | | | | 2 |
| 70 | 40131662 | RELEASE_LEVER_PLATE_BASE | EXCEPT AK,BT,DL | | | 1 |
| 71 | SM4041401SC | SCREW M4X0.7 L=14 | EXCEPT AK,BT,DL | | | 2 |
| 72 | 40131663 | RELEASE_LEVER_PLATE | | | | 1 |
| 73 | SD0800327TP | SHOULDER SCREW D=8 H=3.2 | | | | 2 |
| 74 | 40131665 | SPRING | | | | 1 |
| 75 | 40131664 | RELEASE_LEVER | | | | 1 |
| 76 | 40131666 | RELEASE_LEVER_COVER | | | | 1 |
| 77 | SM6040870SP | SCREW | | | | 2 |
| 78 | CM300400901 | LABEL | FOR CHINA | | | 1 |
| 79 | CM300400902 | LABEL | EXCEPT CHINA | | | 1 |
| 80 | SM4051001SN | SCREW M5 | | | | 3 |
| 81 | 40138933 | RELEASE LEVER PLATE B | WITH AK,BT,DL | | | 1 |
| 82 | SM6041150TP | SCREW | WITH AK,BT,DL | | | 2 |
| 83 | 40138934 | SWICH COVER | WITH AK,BT,DL | | | 1 |
| 84 | SM4040501SN | SCREW M4X0.7 L=5 | WITH AK,BT,DL | | | 2 |
| 85 | WP0460326SF | WASHER 4.6X7.8X0.3 | | | | 2 |
| 86 | 22912257 | FEED REVERSE ARM ASM. | | | | 1 |
| 87 | 22954309 | REVERSE FEED SWITCH SPRING | | | | 1 |
| 88 | 40126265 | DISK_RELEASE_LINK_ASM. | | | | 1 |
| 89 | 40125873 | DISK_RELEASE_LINK_BASE | | | | 1 |
| 90 | SM4050855SP | SCREW | | | | 1 |
| 91 | SS8661012TP | SCREW | | | | 1 |
| 92 | WP1051416SD | WASHER 10.5X17X1.4 | | | | 1 |
| 93 | WP0531000SD | WASHER M5 | | | | 2 |

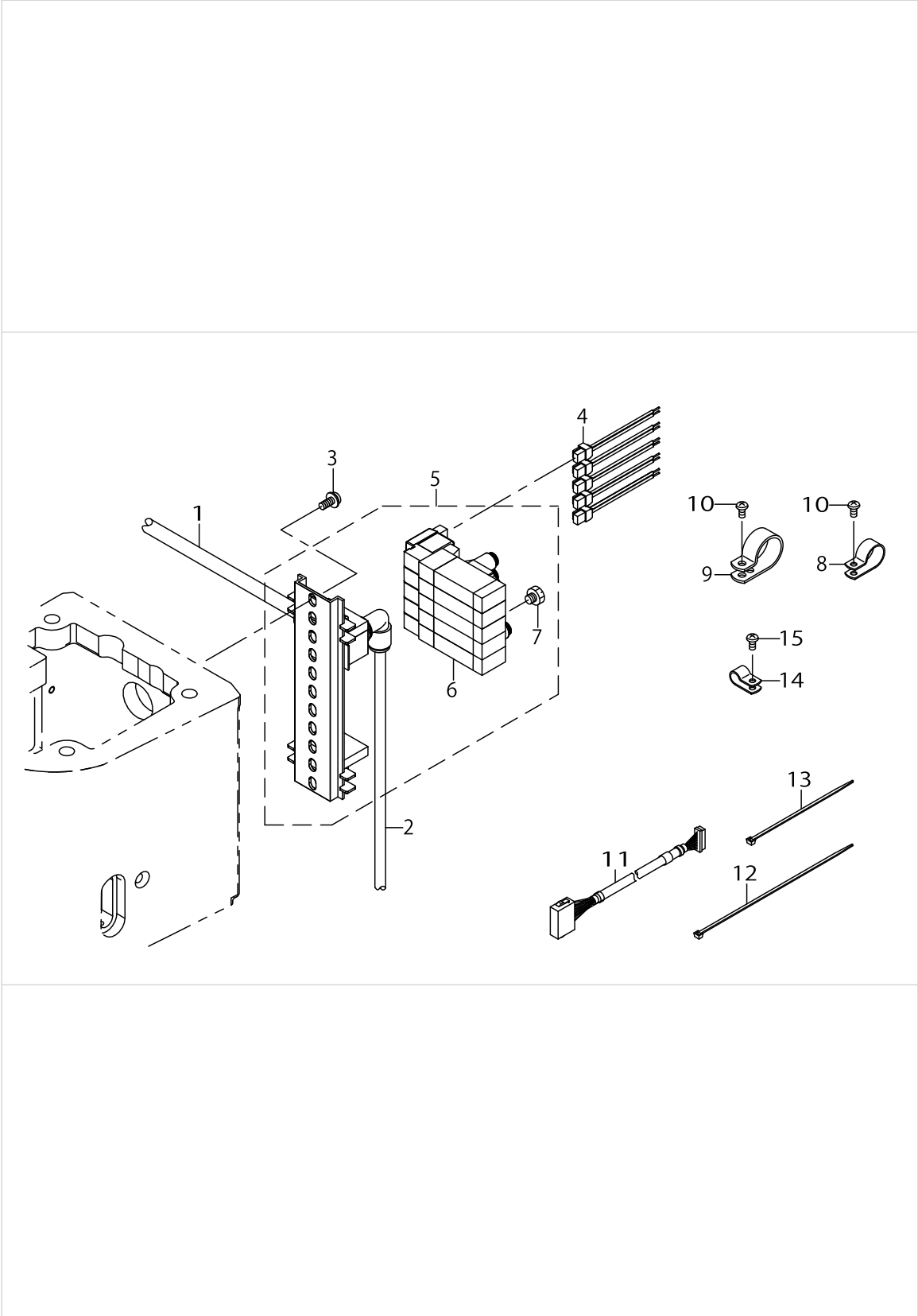
TENSION RELEASE COMPONENTS(FOR PLC-2710-7,2760-7)



TENSION RELEASE COMPONENTS(FOR PLC-2710-7,2760-7)

| No. | Parts No. | Parts name | Remarks | Level | Cons | Qty |
|-----|-------------|------------------------------|---------|-------|------|-----|
| 1 | 40139345 | PLUNGER_LINK_PIN | | | | 2 |
| 2 | 40125948 | RELEASE_SOLENOID_LINK | | | | 2 |
| 3 | 40126263 | SOLENOID_LINK_MOUNTING_PLATE | | | | 1 |
| 4 | 40125949 | RELEASE_SOLENOID_BASE | | | | 1 |
| 5 | SS4090515SP | SCREW 9/64-40 L=5 | | | | 2 |
| 6 | 32055501 | AT (UPPER) SPRING | | | | 2 |
| 7 | NM6030001SC | NUT M3X0.5 TYPE1 | | | | 4 |
| 8 | SD0550271TP | HINGE SCREW D=5.50 H=2.7 | | | | 2 |
| 9 | SM6030602TP | SCREW M3X0.5 L=6 | | | | 8 |
| 10 | WP0320501SE | WASHER 3.2X7.0X0.5 | | | | 8 |
| 11 | 40130291 | TENSION_RELEASE_SOLENOID | | | | 2 |
| 12 | SM4051255SP | SCREW M5 L=12 | | | | 4 |
| 13 | 40126563 | STOPPER_PLATE | | | | 2 |
| 14 | 40126562 | RUBBER HOLDER | | | | 2 |
| 15 | 40086679 | WIPER_STOPPER_RUBBER | | | | 4 |
| 16 | EA9500B0100 | CABLE BAND | | | | 1 |

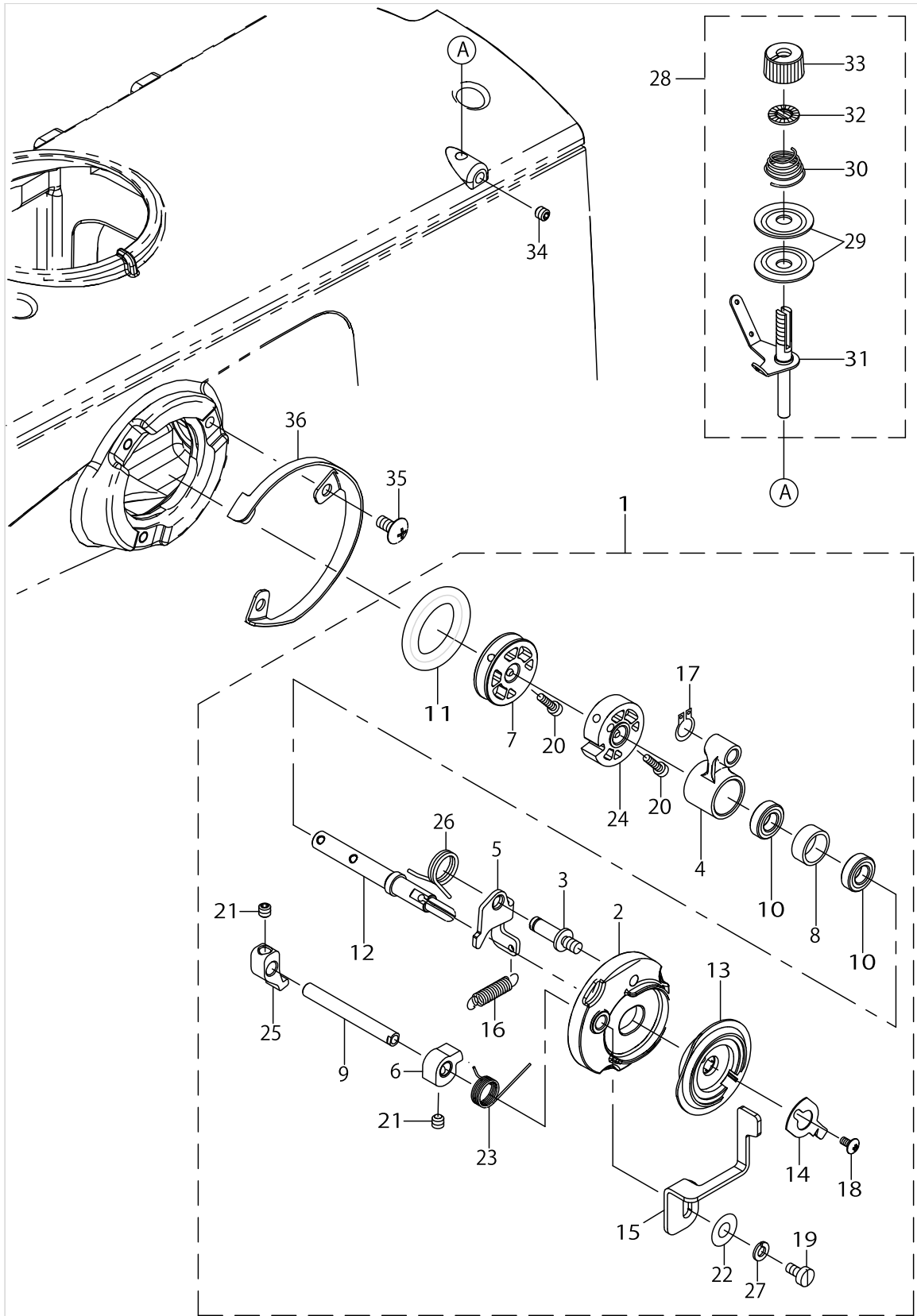
PNEUMATIC COMPONENTS(FOR PLC-2710-7,2760-7)



PNEUMATIC COMPONENTS(FOR PLC-2710-7,2760-7)

| No. | Parts No. | Parts name | Remarks | Level | Cons | Qty |
|-----|-------------|----------------------------|---------|-------|------|-----|
| 1 | BT0600401EB | TUBE | | | | 1.1 |
| 2 | BT0800501EB | VINYL TUBE | | | | 1.1 |
| 3 | SL4041091SC | SCREW M4 L=10 | | | | 2 |
| 4 | 40130284 | SOLENOID VALVE CABLE ASM. | | | | 1 |
| 5 | 40130283 | SOLENOID_VALVE_ASM. | | | | 1 |
| 6 | PV150209100 | SOLENOID VALVE | | * | | 5 |
| 7 | PJ020500002 | PLUG | | * | | 4 |
| 8 | HX00150000H | CABLE CLIP | | | | 1 |
| 9 | HX00150000M | CABLE CLIP | | | | 1 |
| 10 | SM4040855SP | SCREW | | | | 2 |
| 11 | 40126127 | AIR VALVE RELAY CABLE ASM. | | | | 1 |
| 12 | EA9500B0200 | CABLE BAND 150 | | | | 3 |
| 13 | EA9500B0100 | CABLE BAND | | | | 2 |
| 14 | HX00150000C | CABLE CLIP | | | | 1 |
| 15 | SM4040855SP | SCREW | | | | 1 |

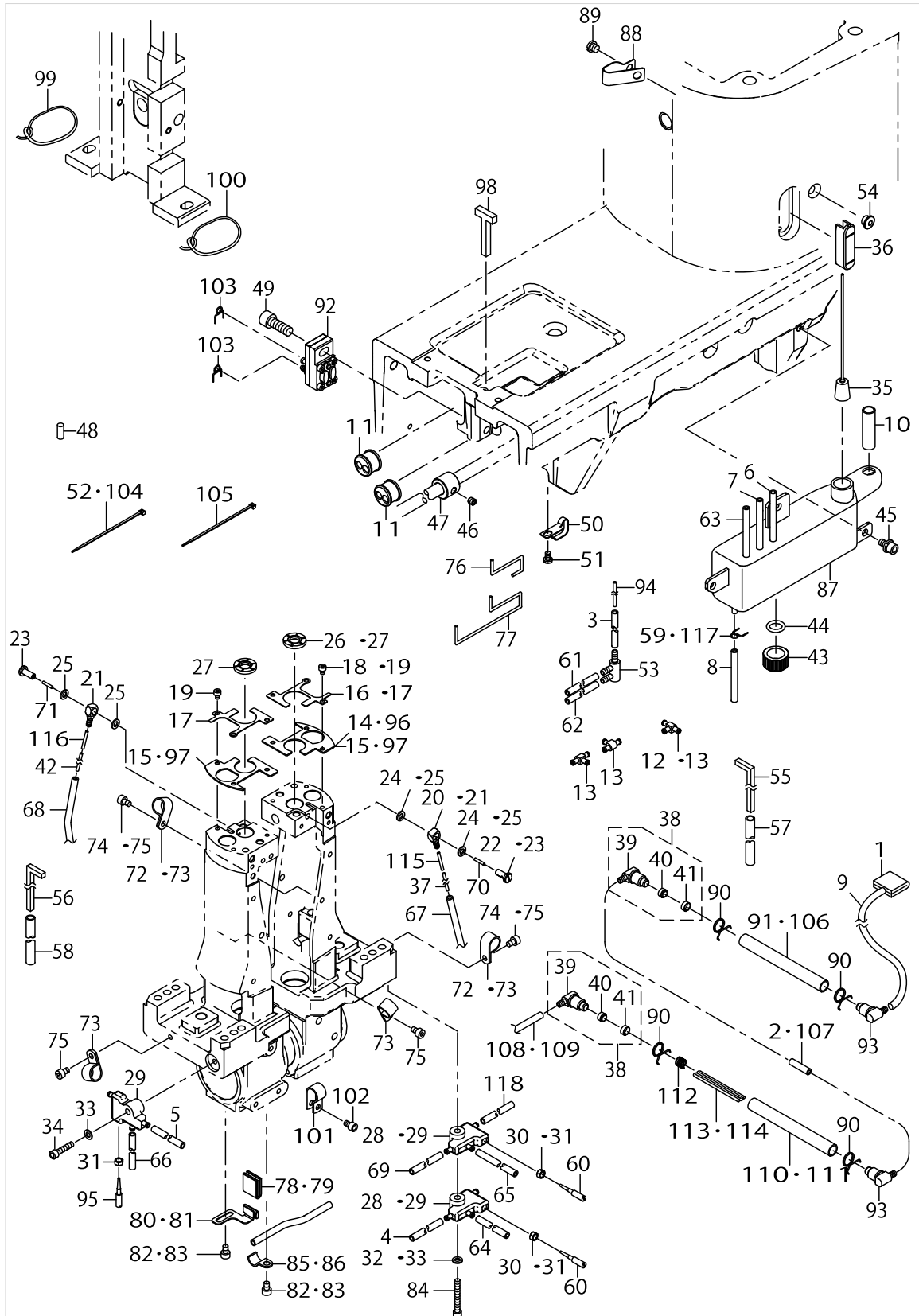
BOBBIN WINDER COMPONENTS



BOBBIN WINDER COMPONENTS

| No. | Parts No. | Parts name | Remarks | Level | Cons | Qty |
|-----|-------------|--------------------------------|---------|-------|------|-----|
| 1 | 40126355 | BOBBIN_WINDER_UNIT | | | | 1 |
| 2 | 26260109 | BTW_BASE | | * | | 1 |
| 3 | 26260307 | BTW_BASE_SHAFT | | * | | 1 |
| 4 | 26260406 | BTW_SHAFT_BASE | | * | | 1 |
| 5 | 40126594 | BTW_CAM_PLATE | | * | | 1 |
| 6 | 26260505 | BTW_CAM_LEVER | | * | | 1 |
| 7 | 40125851 | WINDER_WHEEL | | * | | 1 |
| 8 | 26260802 | BTW_BEARING_SPACER | | * | | 1 |
| 9 | 26261008 | BTW_LEVER_SHAFT | | * | | 1 |
| 10 | 40126354 | WINDER_BEARING | | * | | 2 |
| 11 | 26261503 | BTW_WHEEL_RUBBER | | * | ☆ | 1 |
| 12 | 40126550 | BOBBIN_SHAFT | | * | | 1 |
| 13 | 40125927 | BOBBIN_BASE | | * | | 1 |
| 14 | 40126311 | WINDER_CUTTER | | * | | 1 |
| 15 | 40151791 | BOBBIN_LEVER | | * | | 1 |
| 16 | 13718507 | SPRING | | * | | 1 |
| 17 | RC0560711KP | RETAINING RING | | * | | 1 |
| 18 | SM0030601SC | SCREW M3X0.5 L=6 | | * | | 1 |
| 19 | SM6040860TP | SCREW M4 L=8 | | * | | 1 |
| 20 | SM6031202TP | SCREW M3X0.5 L=12 | | * | | 1 |
| 21 | SM8050502TP | SCREW M5 L=5 | | * | | 2 |
| 22 | WP0450801SP | WASHER | | * | | 1 |
| 23 | 40126549 | HELICAL_TORSION_COIL_SPRING | | * | | 1 |
| 24 | 40125928 | WINDER_LATCH_CAM | | * | | 1 |
| 25 | 40125844 | WINDER_LATCH_B | | * | | 1 |
| 26 | 40011144 | BTW_TORSION_SPRING | | * | | 1 |
| 27 | WS0451040KP | SPRING WASHER 4.5X8.5X1 | | * | | 1 |
| 28 | 40088958 | BOBBIN THREAD TENSION ASM. | | | | 1 |
| 29 | 22921506 | THREAD TENSION DISK | | * | | 1 |
| 30 | 22921704 | THREAD TENSION SPRING A | | * | ☆ | 1 |
| 31 | 40088959 | BOBBIN THREAD TENSION ROD ASM. | | * | | 1 |
| 32 | 22921407 | ROTATION STOPPER | | * | | 1 |
| 33 | 22921308 | THREAD TENSION NUT | | * | | 1 |
| 34 | SM8051002TP | SCREW M5 L=10 | | | | 1 |
| 35 | SM0051001SC | SCREW | | | | 3 |
| 36 | 40152022 | BTW_GUARD | | | | 1 |

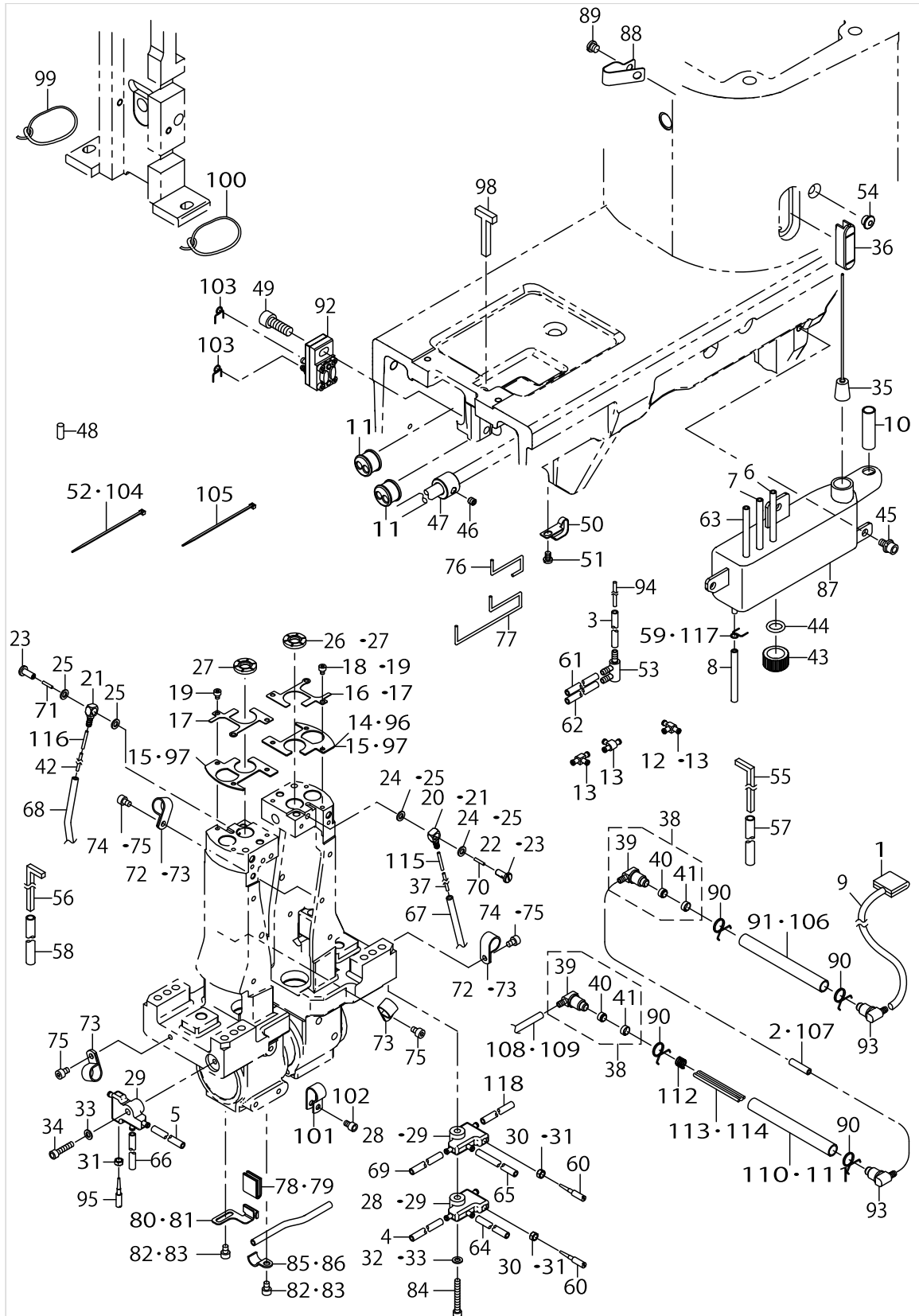
LUBRICATION COMPONENTS



LUBRICATION COMPONENTS

| No. | Parts No. | Parts name | Remarks | Level | Cons | Qty |
|-----|-------------|------------------------|---------------------------------|-------|------|-------|
| 1 | 40112320 | FELT | | | | 1 |
| 2 | 23630007 | TUBE | | | | 0.04 |
| 3 | 23630007 | TUBE | | | | 0.04 |
| 4 | 23630007 | TUBE | | | | 0.025 |
| 5 | 23630007 | TUBE | | | | 0.2 |
| 6 | 23630007 | TUBE | | | | 1.15 |
| 7 | 23630007 | TUBE | | | | 0.35 |
| 8 | 23630007 | TUBE | | | | 0.02 |
| 9 | 23630007 | TUBE | | | | 0.36 |
| 10 | 23630106 | TUBE B | | | | 0.32 |
| 11 | 22935308 | MAGNET CORD RUBBER | | | | 2 |
| 12 | 13765607 | OIL CONNEC. ARM | FOR PLC-2710,2710-7 | | | 1 |
| 13 | 13765607 | OIL CONNEC. ARM | FOR PLC-2760,2760-7, 2760L,2765 | | | 3 |
| 14 | 40130038 | FELT | FOR PLC-2710-7 | | | 1 |
| 15 | 40130038 | FELT | FOR PLC-2760-7 | | | 2 |
| 16 | 40130039 | FELT HOLDER | FOR PLC-2710,2710-7 | | | 1 |
| 17 | 40130039 | FELT HOLDER | FOR PLC-2760,2760-7, 2760L,2765 | | | 2 |
| 18 | SM6030402TP | SCREW M3X0.5 L=4 | FOR PLC-2710,2710-7 | | | 3 |
| 19 | SM6030402TP | SCREW M3X0.5 L=4 | FOR PLC-2760,2760-7, 2760L,2765 | | | 6 |
| 20 | SQ0000401MZ | CONNECTING SCREW | FOR PLC-2710,2710-7 | | | 1 |
| 21 | SQ0000401MZ | CONNECTING SCREW | FOR PLC-2760,2760-7, 2760L,2765 | | | 2 |
| 22 | B3525357000 | CONNECTING SCREW (B) | FOR PLC-2710,2710-7 | | | 1 |
| 23 | B3525357000 | CONNECTING SCREW (B) | FOR PLC-2760,2760-7, 2760L,2765 | | | 2 |
| 24 | B3534012000 | GASKET | FOR PLC-2710,2710-7 | | | 2 |
| 25 | B3534012000 | GASKET | FOR PLC-2760,2760-7, 2760L,2765 | | | 4 |
| 26 | 40130037 | GROOVE_WASHER | FOR PLC-2710,2710-7 | | | 1 |
| 27 | 40130037 | GROOVE_WASHER | FOR PLC-2760,2760-7, 2760L,2765 | | | 2 |
| 28 | 40032804 | BASE | FOR PLC-2710,2710-7 | | | 2 |
| 29 | 40032804 | BASE | FOR PLC-2760,2760-7, 2760L,2765 | | | 3 |
| 30 | NS6110310SP | HEXAGONAL NUT 11/64-40 | FOR PLC-2710,2710-7 | | | 2 |
| 31 | NS6110310SP | HEXAGONAL NUT 11/64-40 | FOR PLC-2760,2760-7, 2760L,2765 | | | 3 |
| 32 | WP0430800SD | WASHER M4 | FOR PLC-2710,2710-7 | | | 1 |
| 33 | WP0430800SD | WASHER M4 | FOR PLC-2760,2760-7, 2760L,2765 | | | 2 |
| 34 | SM6041802TP | SCREW M4 L=18 | FOR PLC-2760,2760-7, 2760L,2765 | | | 1 |
| 35 | 23628357 | FLOATER ASM. | | | | 1 |
| 36 | 40036167 | OIL_GAGE | | | | 1 |
| 37 | CQ200000000 | OIL WICK | | | | 0.27 |
| 38 | 23630650 | OIL FILTER JOINT ASM. | | | | 2 |
| 39 | 23630601 | OIL FILTER JOINT | | * | | 1 |
| 40 | 23630403 | OIL FILTER | | * | | 1 |
| 41 | 23630502 | OIL FILTER STOPPER | | * | | 1 |
| 42 | CQ200000000 | OIL WICK | FOR PLC-2760,2760-7, 2760L,2765 | | | 0.27 |
| 43 | 40013595 | OIL_EXIT_CAP | | | | 1 |
| 44 | RO098240100 | O-RING | | | | 1 |
| 45 | SL6051092TN | SCREW M5 L=10 | | | | 3 |
| 46 | SM8050512TP | SCREW | | | | 1 |
| 47 | 40101721 | ECCENTRIC_CAM | | | | 1 |

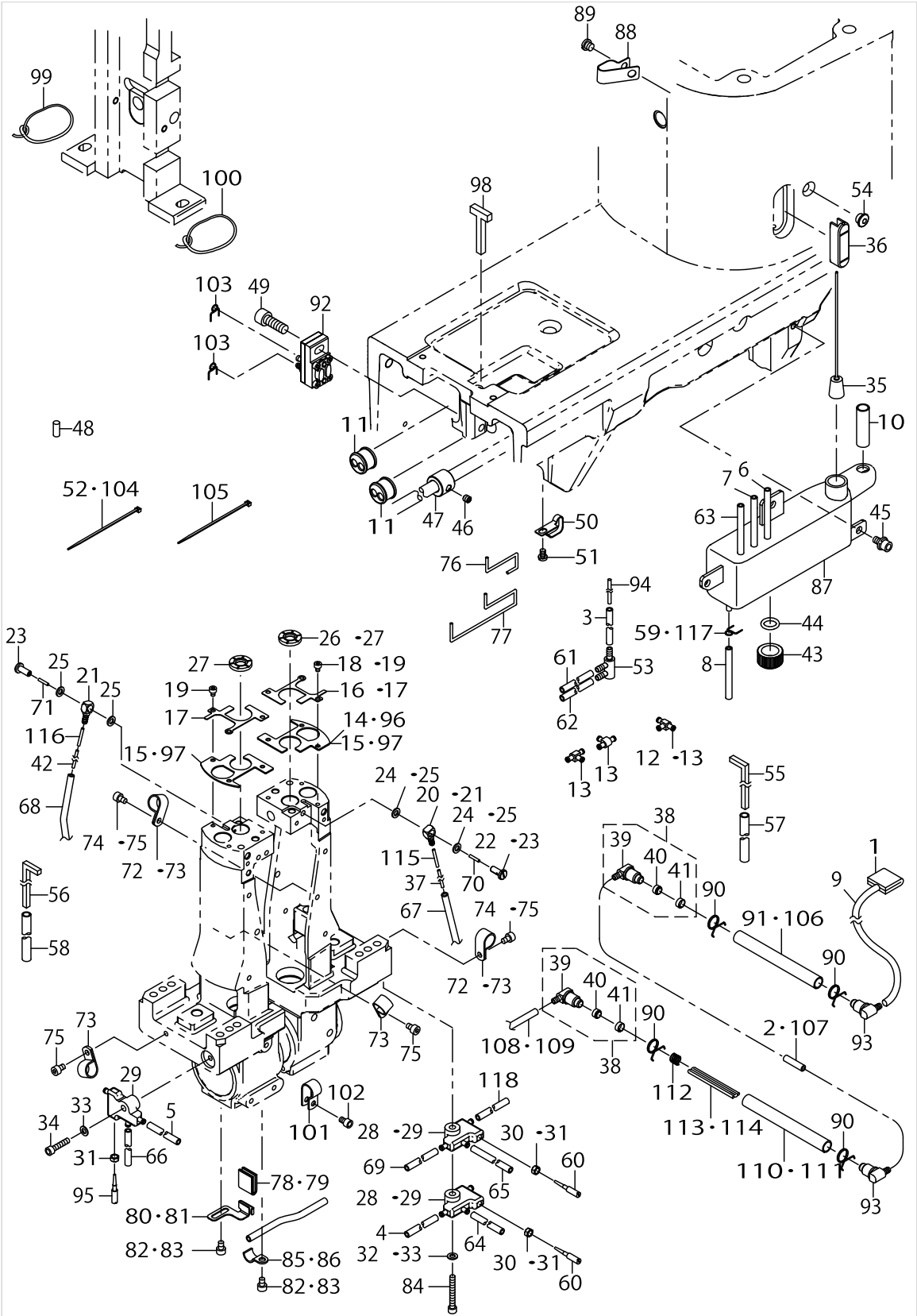
LUBRICATION COMPONENTS



LUBRICATION COMPONENTS

| No. | Parts No. | Parts name | Remarks | Level | Cons | Qty |
|-----|--------------|------------------------|---------------------------------|-------|------|-------|
| 48 | 23540305 | CAP | FOR PLC-2710,2710-7 | | | 1 |
| 49 | SM6061802TP | SCREW M6 L=18 | | | | 1 |
| 50 | 40022407 | CORD HOLDER | | | | 1 |
| 51 | SM4040655SP | SCREW M4 L=6 | | | | 1 |
| 52 | EA9500B0100 | CABLE BAND | FOR PLC-2710,2710-7 | | | 4 |
| 53 | 23629504 | DISTRIBUTOR | | | | 1 |
| 54 | 40126582 | RUBBER_PLUG | | | | 1 |
| 55 | 10773000 | FELT | FOR PLC-2710,2710-7 | | | 1 |
| 56 | 10773000 | FELT | FOR PLC-2760,2760-7, 2760L,2765 | | | 2 |
| 57 | BP500000000 | VINYL PIPE | | | | 0.2 |
| 58 | BP500000000 | VINYL PIPE | FOR PLC-2760,2760-7, 2760L,2765 | | | 0.2 |
| 59 | 13142609 | OIL TUBE HOLDER | FOR PLC-2710,2710-7 | | | 7 |
| 60 | B1834512000A | OIL ADJUSTING SCREW | | | | 2 |
| 61 | 23630007 | TUBE | | | | 0.12 |
| 62 | 23630007 | TUBE | | | | 0.14 |
| 63 | 23630007 | TUBE | | | | 0.35 |
| 64 | 23630007 | TUBE | FOR PLC-2760,2760-7, 2760L,2765 | | | 0.08 |
| 65 | 23630007 | TUBE | FOR PLC-2760,2760-7, 2760L,2765 | | | 0.09 |
| 66 | 23630007 | TUBE | FOR PLC-2760,2760-7, 2760L,2765 | | | 0.25 |
| 67 | 23630007 | TUBE | | | | 0.3 |
| 68 | 23630007 | TUBE | FOR PLC-2760,2760-7, 2760L,2765 | | | 0.3 |
| 69 | 23630007 | TUBE | FOR PLC-2760,2760-7, 2760L,2765 | | | 0.26 |
| 70 | CQ202000000 | COTTON OIL WICK D=2 | | | | 0.012 |
| 71 | CQ202000000 | COTTON OIL WICK D=2 | FOR PLC-2760,2760-7, 2760L,2765 | | | 0.012 |
| 72 | HX00150000D | CABLE CLAMP | FOR PLC-2710,2710-7 | | | 2 |
| 73 | HX00150000D | CABLE CLAMP | FOR PLC-2760,2760-7, 2760L,2765 | | | 4 |
| 74 | SM6040602TP | SCREW M4X0.7 L=6 | FOR PLC-2710,2710-7 | | | 2 |
| 75 | SM6040602TP | SCREW M4X0.7 L=6 | FOR PLC-2760,2760-7, 2760L,2765 | | | 4 |
| 76 | CQ202000000 | COTTON OIL WICK D=2 | FOR PLC-2710,2710-7 | | | 0.1 |
| 77 | CQ202000000 | COTTON OIL WICK D=2 | FOR PLC-2760,2760-7, 2760L,2765 | | | 0.48 |
| 78 | 40133762 | VILENE | FOR PLC-2710,2710-7 | | | 1 |
| 79 | 40133762 | VILENE | FOR PLC-2760,2760-7, 2760L,2765 | | | 2 |
| 80 | 40133595 | VILENE_HOLDER | FOR PLC-2710,2710-7 | | | 1 |
| 81 | 40133595 | VILENE_HOLDER | FOR PLC-2760,2760-7, 2760L,2765 | | | 2 |
| 82 | SM6040602TP | SCREW M4X0.7 L=6 | FOR PLC-2710,2710-7 | | | 3 |
| 83 | SM6040602TP | SCREW M4X0.7 L=6 | FOR PLC-2760,2760-7, 2760L,2765 | | | 6 |
| 84 | SM6043002TN | SCREW | | | | 1 |
| 85 | B3538112000 | OIL RETURN TUBE HOLDER | FOR PLC-2710,2710-7 | | | 1 |
| 86 | B3538112000 | OIL RETURN TUBE HOLDER | FOR PLC-2760,2760-7, 2760L,2765 | | | 2 |
| 87 | 40133922 | OIL_TANK | | | | 1 |
| 88 | D2112555B00 | CORD HOLDER | | | | 1 |
| 89 | SM6060550TP | SCREW M6 L=4.5 | | | | 1 |
| 90 | 23629405 | PIPE STOPPER B | | | | 8 |
| 91 | 23630106 | TUBE B | | | | 0.03 |
| 92 | 40101719 | PUMP_BASE_ASSY | | | | 1 |
| 93 | 23630601 | OIL FILTER JOINT | | | | 6 |
| 94 | CQ252000000 | OIL WICK | | | | 0.025 |

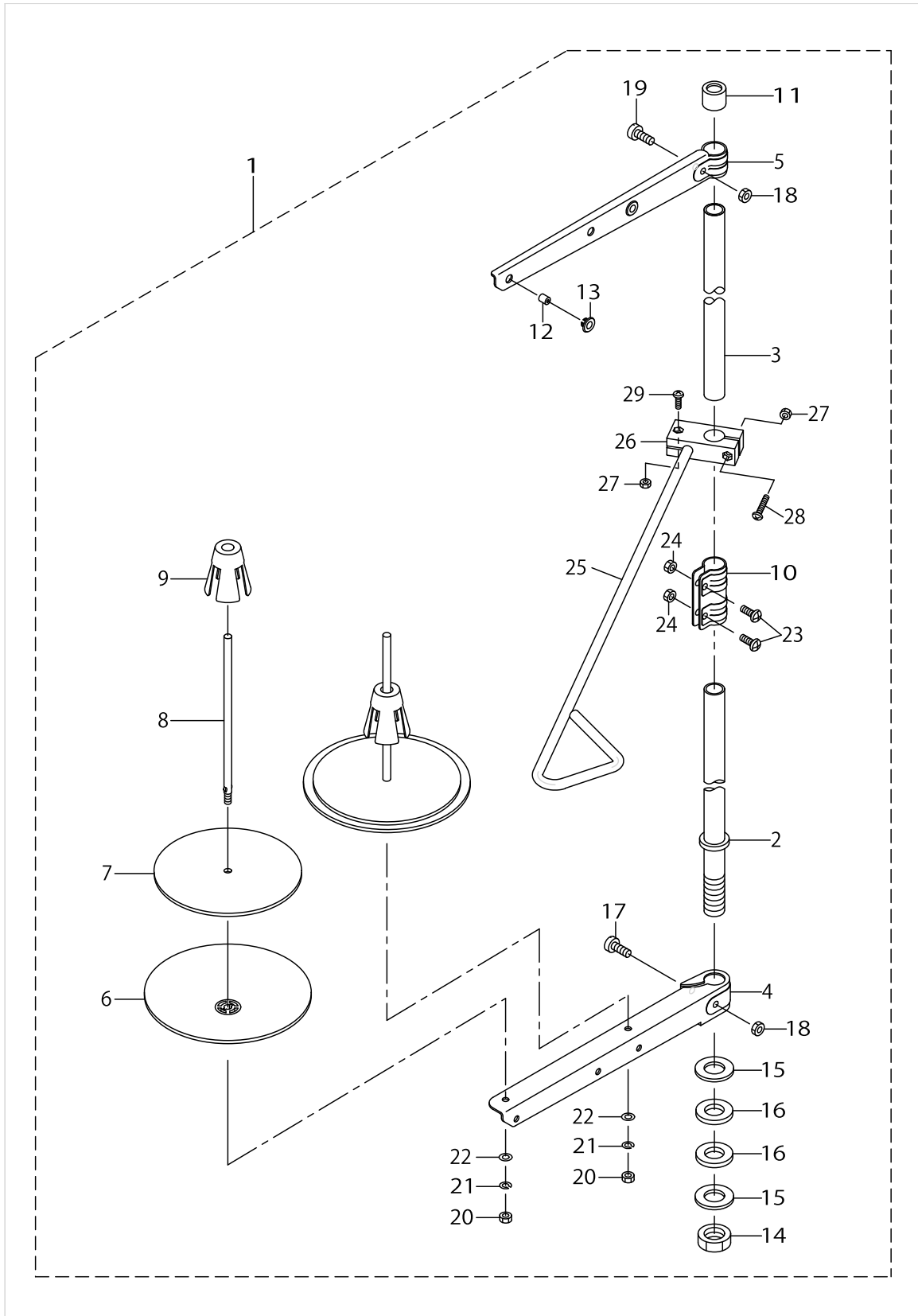
LUBRICATION COMPONENTS



LUBRICATION COMPONENTS

| No. | Parts No. | Parts name | Remarks | Level | Cons | Qty |
|-----|--------------|-----------------------|---------------------------------|-------|------|------|
| 95 | B1834512000A | OIL ADJUSTING SCREW | FOR PLC-2760,2760-7, 2760L,2765 | | | 1 |
| 96 | 40137885 | FELT | FOR PLC-2710 | | | 1 |
| 97 | 40137885 | FELT | FOR PLC-2760,2760L,2765 | | | 2 |
| 98 | 40137517 | FELT | | | | 1 |
| 99 | CQ200000000 | OIL WICK | | | | 0.1 |
| 100 | CQ200000000 | OIL WICK | | | | 0.1 |
| 101 | HX00150000D | CABLE CLIP | FOR PLC-2760,2760L,2765 | | | 1 |
| 102 | SM6040602TP | SCREW M4 L=6 | FOR PLC-2760,2760L,2765 | | | 1 |
| 103 | 23629306 | PIPE STOPPER A | | | | 2 |
| 104 | EA9500B0100 | CABLE BAND | FOR PLC-2760,2760-7, 2760L,2765 | | | 5 |
| 105 | EA9500B0200 | CABLE BAND 150 | | | | 3 |
| 106 | 23630106 | TUBE B | | | | 0.03 |
| 107 | 23630007 | TUBE | | | | 0.05 |
| 108 | 23630007 | TUBE | | | | 0.1 |
| 109 | 23630007 | TUBE | | | | 0.1 |
| 110 | 23630106 | TUBE B | | | | 0.09 |
| 111 | 23630106 | TUBE B | | | | 0.09 |
| 112 | 12210803 | SPRING | | | | 2 |
| 113 | CQ300000000 | OIL WICK | | | | 0.26 |
| 114 | CQ300000000 | OIL WICK | | | | 0.26 |
| 115 | 12316907 | OIL WICK (VERTICAL C) | | | | 1 |
| 116 | 12316907 | OIL WICK (VERTICAL C) | FOR PLC-2760,2760-7, 2760L,2765 | | | 1 |
| 117 | 13142609 | OIL TUBE HOLDER | FOR PLC-2760,2760-7, 2760L,2765 | | | 10 |
| 118 | 23630007 | TUBE | | | | 0.11 |

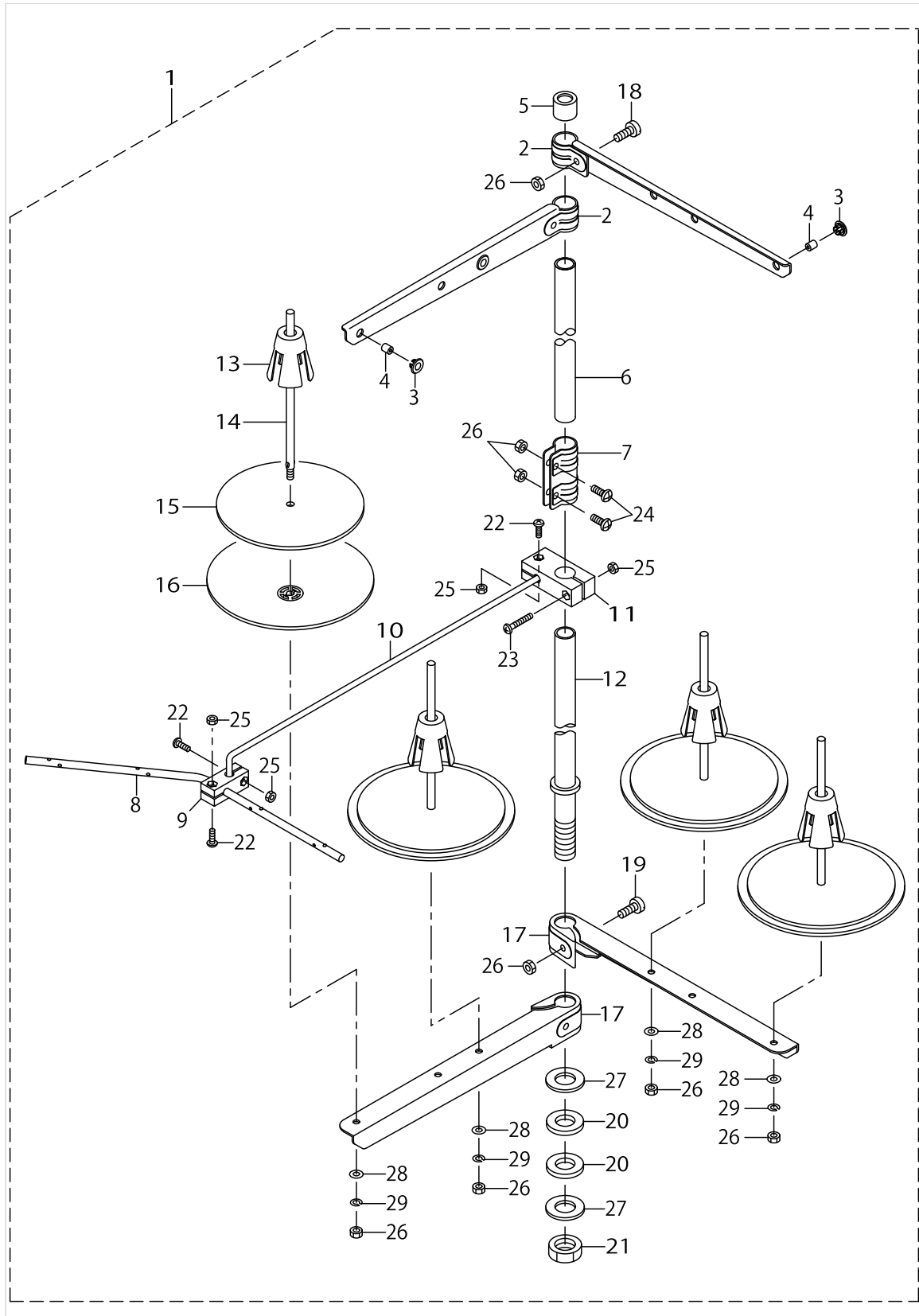
THREAD STAND COMPONENTS(FOR PLC-2710,2710-7)



THREAD STAND COMPONENTS(FOR PLC-2710,2710-7)

| No. | Parts No. | Parts name | Remarks | Level | Cons | Qty |
|-----|-------------|-------------------------------|---------|-------|------|-----|
| 1 | 40111352 | THREAD STAND PACKING | | | | 1 |
| 2 | 40085784 | SPOOL REST ROD LOWER | | * | | 1 |
| 3 | 40085785 | SPOOL REST ROD UPPER | | * | | 1 |
| 4 | 40085786 | SPOOL REST ARM LOWER | | * | | 1 |
| 5 | 40085787 | SPOOL REST ARM UPPER | | * | | 1 |
| 6 | 40085788 | SPOOL REST | | * | | 2 |
| 7 | 40085789 | SPOOL REST CUSHION | | * | | 2 |
| 8 | 40085790 | SPOOL PIN | | * | | 2 |
| 9 | 40085791 | SPOOL RETAINER | | * | | 2 |
| 10 | 40085792 | SPOOL REST ROD JOINT | | * | | 1 |
| 11 | 40085793 | SPOOL REST ROD RUBBER CAP | | * | | 1 |
| 12 | 40085794 | THREAD GUIDE | | * | | 2 |
| 13 | 40085795 | THREAD GUIDE BUSHING | | * | | 2 |
| 14 | 40096325 | SPOOL REST ROD NUT | | * | | 1 |
| 15 | WP1612616SE | WASHER 16X30X2.6 | | * | | 2 |
| 16 | 40085796 | SPOOL REST ROD RUBBER CUSHION | | * | | 2 |
| 17 | 40096326 | SPOOL REST ARM LOWER SCREW | | * | | 1 |
| 18 | NM6050001SE | NUT M5 | | * | | 2 |
| 19 | 40096327 | SPOOL REST ARM UPPER SCREW | | * | | 1 |
| 20 | NM6050001SE | NUT M5 | | * | | 2 |
| 21 | WS0510002KN | SPRING WASHER M5 | | * | | 2 |
| 22 | WP0531001SC | WASHER M5 | | * | | 2 |
| 23 | SM4051405SE | SCREW M5 L=14 | | * | | 2 |
| 24 | NM6050001SE | NUT M5 | | * | | 2 |
| 25 | 40111350 | SPOOL REST THREAD GUIDE B | | * | | 1 |
| 26 | 40106579 | THREAD GUIDE ARM BASE | | * | | 1 |
| 27 | NM6040002SC | NUT M4 | | * | | 2 |
| 28 | SM4042501SC | SCREW M4X0.7 L=25 | | * | | 1 |
| 29 | SM4041201SC | SCREW M4 L=12 | | * | | 1 |

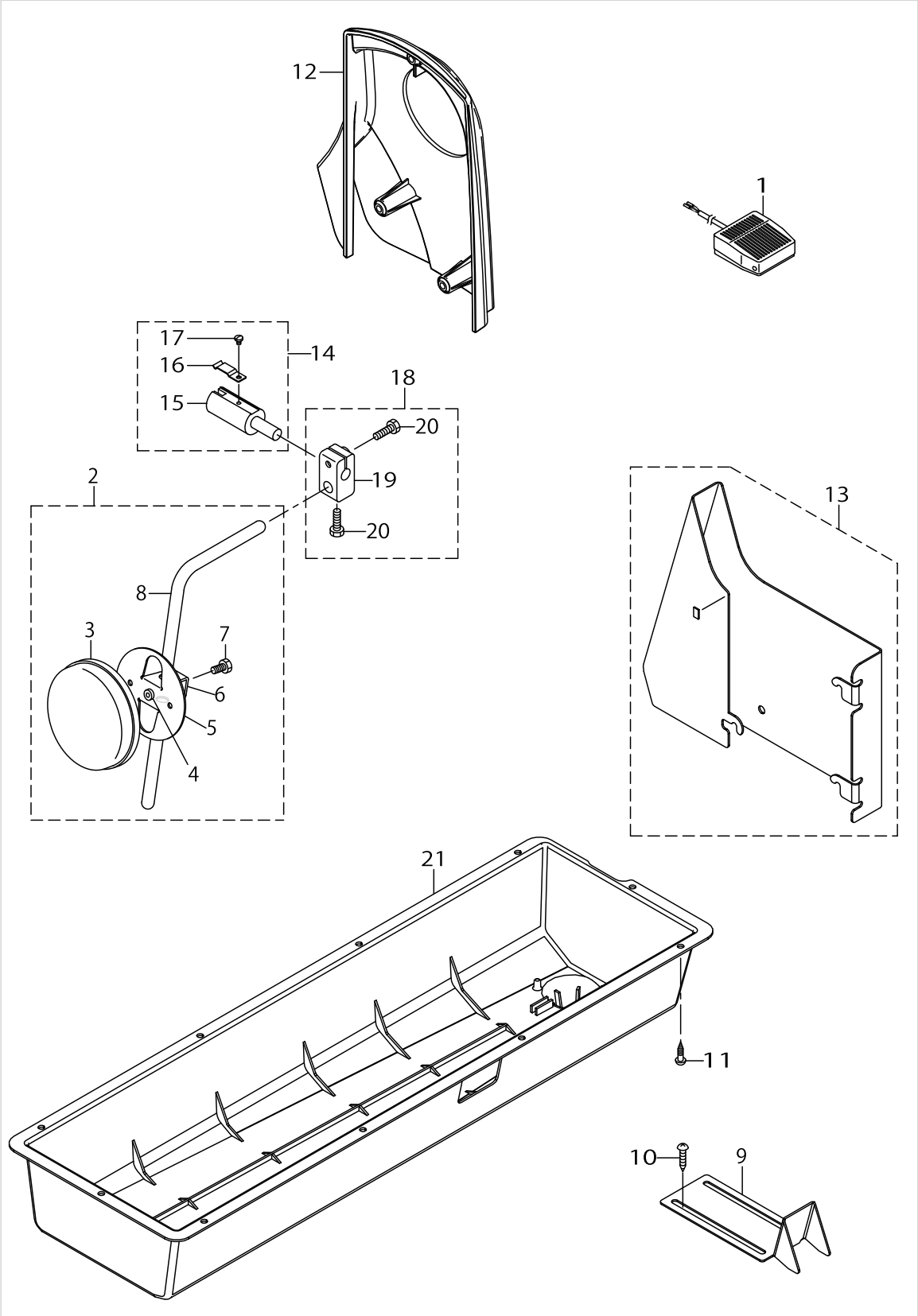
THREAD STAND COMPONENTS(FOR PLC-2760,2760-7,2760L,2765)



THREAD STAND COMPONENTS(FOR PLC-2760,2760-7,2760L,2765)

| No. | Parts No. | Parts name | Remarks | Level | Cons | Qty |
|-----|-------------|-------------------------------|---------|-------|------|-----|
| 1 | 40106584 | THREAD STAND PACKING | | | | 1 |
| 2 | 40085787 | SPOOL REST ARM UPPER | | * | | 2 |
| 3 | 40085795 | THREAD GUIDE BUSHING | | * | | 4 |
| 4 | 40085794 | THREAD GUIDE | | * | | 4 |
| 5 | 40085793 | SPOOL REST ROD RUBBER CAP | | * | | 1 |
| 6 | 40085785 | SPOOL REST ROD UPPER | | * | | 1 |
| 7 | 40085792 | SPOOL REST ROD JOINT | | * | | 1 |
| 8 | 40106582 | THREAD GUIDE 4 | | * | | 1 |
| 9 | 40106580 | THREAD GUIDE UNDER BASE | | * | | 1 |
| 10 | 40106576 | THREAD GUIDE ARM | | * | | 1 |
| 11 | 40106579 | THREAD GUIDE ARM BASE | | * | | 1 |
| 12 | 40085784 | SPOOL REST ROD LOWER | | * | | 1 |
| 13 | 40085791 | SPOOL RETAINER | | * | | 4 |
| 14 | 40085790 | SPOOL PIN | | * | | 4 |
| 15 | 40085789 | SPOOL REST CUSHION | | * | | 4 |
| 16 | 40085788 | SPOOL REST | | * | | 4 |
| 17 | 40085786 | SPOOL REST ARM LOWER | | * | | 2 |
| 18 | 40096327 | SPOOL REST ARM UPPER SCREW | | * | | 2 |
| 19 | 40096326 | SPOOL REST ARM LOWER SCREW | | * | | 2 |
| 20 | 40085796 | SPOOL REST ROD RUBBER CUSHION | | * | | 2 |
| 21 | 40096325 | SPOOL REST ROD NUT | | * | | 1 |
| 22 | SM4041201SC | SCREW M4 L=12 | | * | | 3 |
| 23 | SM4042501SC | SCREW M4X0.7 L=25 | | * | | 1 |
| 24 | SM4051405SE | SCREW M5 L=14 | | * | | 2 |
| 25 | NM6040002SC | NUT M4 | | * | | 4 |
| 26 | NM6050001SE | NUT M5 | | * | | 10 |
| 27 | WP1612616SE | WASHER 16X30X2.6 | | * | | 2 |
| 28 | WP0531001SC | WASHER M5 | | * | | 4 |
| 29 | WS0510002KN | SPRING WASHER M5 | | * | | 4 |

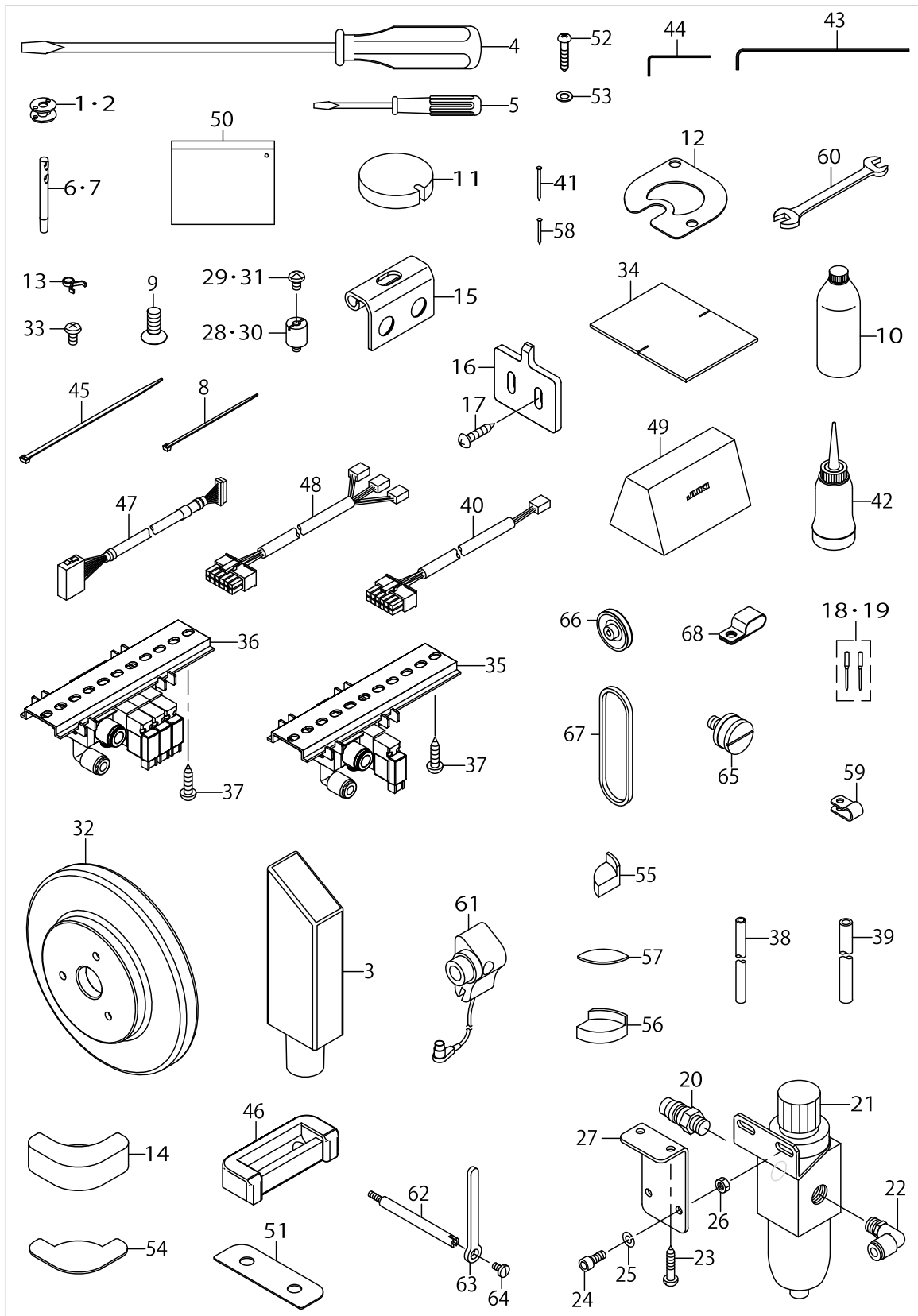
ACCESSORIES PARTS COMPONENTS (1)



ACCESSORIES PARTS COMPONENTS (1)

| No. | Parts No. | Parts name | Remarks | Level | Cons | Qty |
|-----|-------------|------------------------|---|-------|------|-----|
| 1 | 40143553 | KNEE_SW_ASM. | FOR PLC-2710-7,2760-7, 2710(WITH AK), 2710(WITH AK,BT,DL), 2760(WITH AK), 2760(WITH AK,BT,DL), 2760L(WITH AK), 2760L(WITH AK,BT,DL), 2765(WITH AK), 2765(WITH AK,BT,DL) | | | 1 |
| 2 | 21343157 | KNEE PRESS PLATE ASM. | FOR PLC-2710,2760,2760L,2765 | | | 1 |
| 3 | 22934509 | KNEE PAD PLATE COVER | | * | | 1 |
| 4 | 22934400 | KNEE PAD PLATE RUBBER | | * | | 1 |
| 5 | 22934202 | KNEE PAD PLATE | | * | | 1 |
| 6 | 22934301 | KNEE PAD PLATE SUPPORT | | * | | 1 |
| 7 | SM9061203SE | SCREW M6 L=12 | | * | | 1 |
| 8 | 21343108 | KNEE PRESS LEVER | | * | | 1 |
| 9 | 40130909 | POST_COVER_B | FOR PLC-2710, 2710(WITH AK), 2710(WITH AK,BT,DL), 2760,2760(WITH AK), 2760(WITH AK,BT,DL), 2760L, 2760L(WITH AK), 2760L(WITH AK-BT,DL), 2765,2765(WITH AK), 2765(WITH AK,BT,DL) | | | 1 |
| 10 | SK3482501SE | WOOD SCREW D=4.8 L=25 | FOR PLC-2710, 2710(WITH AK), 2710(WITH AK,BT,DL), 2760,2760(WITH AK), 2760(WITH AK,BT,DL), 2760L, 2760L(WITH AK), 2760L(WITH AK-BT,DL), 2765,2765(WITH AK), 2765(WITH AK,BT,DL) | | | 2 |
| 11 | SK3482001SE | WOOD SCREW D=4.8 L=20 | | | | 8 |
| 12 | 40139001 | BELT COVER ASM. | FOR PLC-2710, 2710(WITH AK), 2710(WITH AK,BT,DL), 2760,2760(WITH AK), 2760(WITH AK,BT,DL), 2760L, 2760L(WITH AK), 2760L(WITH AK-BT,DL), 2765,2765(WITH AK), 2765(WITH AK,BT,DL) | | | 1 |
| 13 | 40135153 | POST COVER ASM. | FOR PLC-2710, 2710(WITH AK), 2710(WITH AK,BT,DL), 2760,2760(WITH AK), 2760(WITH AK,BT,DL), 2760L, 2760L(WITH AK), 2760L(WITH AK-BT,DL), 2765,2765(WITH AK), 2765(WITH AK,BT,DL) | | | 1 |
| 14 | 22863252 | KNEE LIFTER JOINT ASM. | FOR PLC-2710,2760,2760L,2765 | | | 1 |
| 15 | 22863203 | KNEE LIFTER JOINT | | * | | 1 |
| 16 | B3428521000 | PRESSER SPRING | | * | | 1 |
| 17 | SS7090510SP | SCREW 9/64-40 L=4.6 | | * | | 1 |
| 18 | 22932453 | BRACKET ASM. | FOR PLC-2710,2760,2760L,2765 | | | 1 |
| 19 | 22932404 | BRACKET | | * | | 1 |
| 20 | 22934707 | SCREW | | * | | 2 |
| 21 | 40126155 | OIL_PAN | | | | 1 |

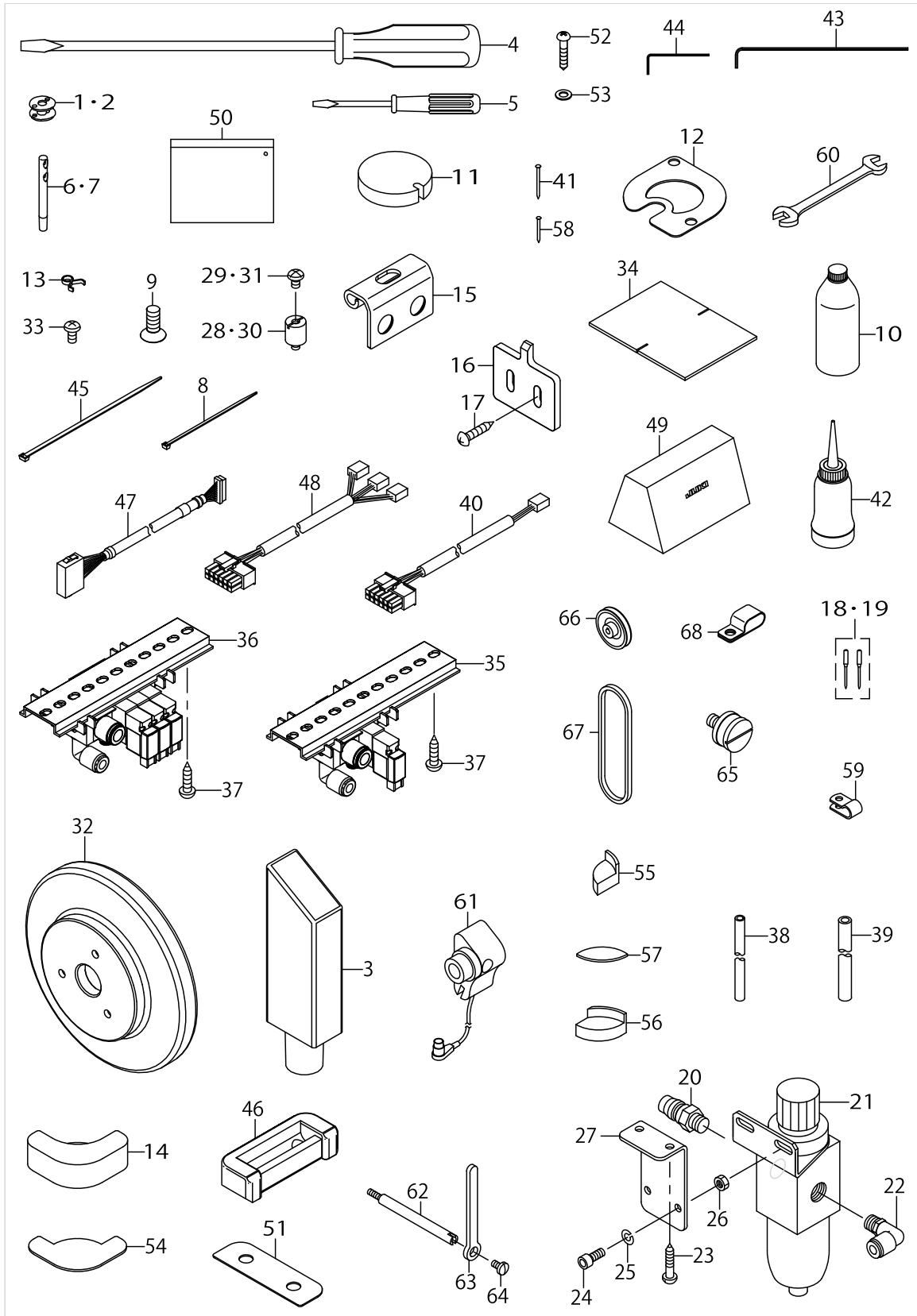
ACCESSORIES PARTS COMPONENTS (2)



ACCESSORIES PARTS COMPONENTS (2)

| No. | Parts No. | Parts name | Remarks | Level | Cons | Qty |
|-----|-------------|--------------------------------|---|-------|------|-----|
| 1 | 21334800 | ALUMINUM BOBBIN WITH KNURL | FOR PLC-2710,2710-7 | | ☆ | 1 |
| 2 | 21334800 | ALUMINUM BOBBIN WITH KNURL | FOR PLC-2760,2760-7,2760L,2765 | | | 2 |
| 3 | 40133301 | FRAME_SUPPORT_BAR | | | | 1 |
| 4 | 22933105 | SCREW DRIVER MIDDLE | | | | 1 |
| 5 | 22933204 | SCREW DRIVER SMALL | | | | 1 |
| 6 | 22958300 | NEEDLE THREAD GUIDE PIN | FOR PLC-2710,2710-7 | | | 1 |
| 7 | 22958300 | NEEDLE THREAD GUIDE PIN | FOR PLC-2760,2760-7,2760L,2765 | | | 2 |
| 8 | EA9500B0100 | CABLE BAND | FOR PLC-2710(WITH AK), 2710(WITH AK,BT,DL), 2760(WITH AK),2760L(WITH AK), 2765(WITH AK), 2760(WITH AK,B-T,DL), 2760L(WITH AK,BT,DL), 2765(WITH AK,BT,DL), | | | 2 |
| 9 | B1516210D00 | SCREW | | | | 4 |
| 10 | MML007600CA | JUKI CORPORATION GENUINE OIL 7 | | | | 1 |
| 11 | 40126405 | OIL_FILTER | | | | 1 |
| 12 | 40126267 | FELT HOLDER | | | | 1 |
| 13 | 23629306 | PIPE STOPPER A | | | | 2 |
| 14 | 40151800 | CUSHION RUBBER | | | | 2 |
| 15 | 40131015 | HINGE | | | | 2 |
| 16 | 40131014 | HINGE_STOPPER | | | | 2 |
| 17 | SK3482501SE | WOOD SCREW D=4.8 L=25 | | | | 4 |
| 18 | M13517B2002 | NEEDLE 135X17 #200-2 | FOR PLC-2760L | | ☆ | 1 |
| 19 | M13517B1402 | NEEDLE 135X17 #140-2 | | | ☆ | 1 |
| 20 | PJ025100003 | PLUG | FOR PLC-2710-7,2760-7, 2710(WITH AK), 2710(WITH AK,BT,DL), 2760(WITH AK), 2760(WITH AK,BT,DL), 2760L(WIT-H AK), 2760L(WITH AK,BT,DL), 2765(-WITH AK), 2765(WITH AK,BT,DL) | | | 1 |
| 21 | PF055107000 | FILTER REGULATOR | FOR PLC-2710-7,2760-7, 2710(WITH AK), 2710(WITH AK,BT,DL), 2760(WITH AK), 2760(WITH AK,BT,DL), 2760L(WIT-H AK), 2760L(WITH AK,BT,DL), 2765(-WITH AK), 2765(WITH AK,BT,DL) | | | 1 |
| 22 | PJ304065101 | ELBOW UNION 6XPT1/8 | FOR PLC-2710-7,2760-7, 2710(WITH AK), 2710(WITH AK,BT,DL), 2760(WITH AK), 2760(WITH AK,BT,DL), 2760L(WIT-H AK), 2760L(WITH AK,BT,DL), 2765(-WITH AK), 2765(WITH AK,BT,DL) | | | 1 |
| 23 | SK3482001SE | WOOD SCREW D=4.8 L=20 | FOR PLC-2710-7,2760-7, 2710(WITH AK), 2710(WITH AK,BT,DL), 2760(WITH AK), 2760(WITH AK,BT,DL), 2760L(WIT-H AK), 2760L(WITH AK,BT,DL), 2765(-WITH AK), 2765(WITH AK,BT,DL) | | | 2 |
| 24 | SM6051202TP | SCREW M5X0.8 L=12 | FOR PLC-2710-7,2760-7, 2710(WITH AK), 2710(WITH AK,BT,DL), 2760(WITH AK), 2760(WITH AK,BT,DL), 2760L(WIT-H AK), 2760L(WITH AK,BT,DL), 2765(-WITH AK), 2765(WITH AK,BT,DL) | | | 2 |
| 25 | WS0510002KN | SPRING WASHER M5 | FOR PLC-2710-7,2760-7, 2710(WITH AK), 2710(WITH AK,BT,DL), 2760(WITH AK), 2760(WITH AK,BT,DL), 2760L(WIT-H AK), 2760L(WITH AK,BT,DL), 2765(-WITH AK), 2765(WITH AK,BT,DL) | | | 2 |
| 26 | NM6050001SP | NUT M5 | FOR PLC-2710-7,2760-7, 2710(WITH AK), 2710(WITH AK,BT,DL), 2760(WITH AK), 2760(WITH AK,BT,DL), 2760L(WIT-H AK), 2760L(WITH AK,BT,DL), 2765(-WITH AK), 2765(WITH AK,BT,DL) | | | 2 |
| 27 | 13860408 | REGULATOR BRACKET | FOR PLC-2710-7,2760-7, 2710(WITH AK), 2710(WITH AK,BT,DL), 2760(WITH AK), 2760(WITH AK,BT,DL), 2760L(WIT-H AK), 2760L(WITH AK,BT,DL), 2765(-WITH AK), 2765(WITH AK,BT,DL) | | | 1 |
| 28 | 40126222 | CP_SPACER | FOR PLC-2710-7,2760-7 | | | 2 |

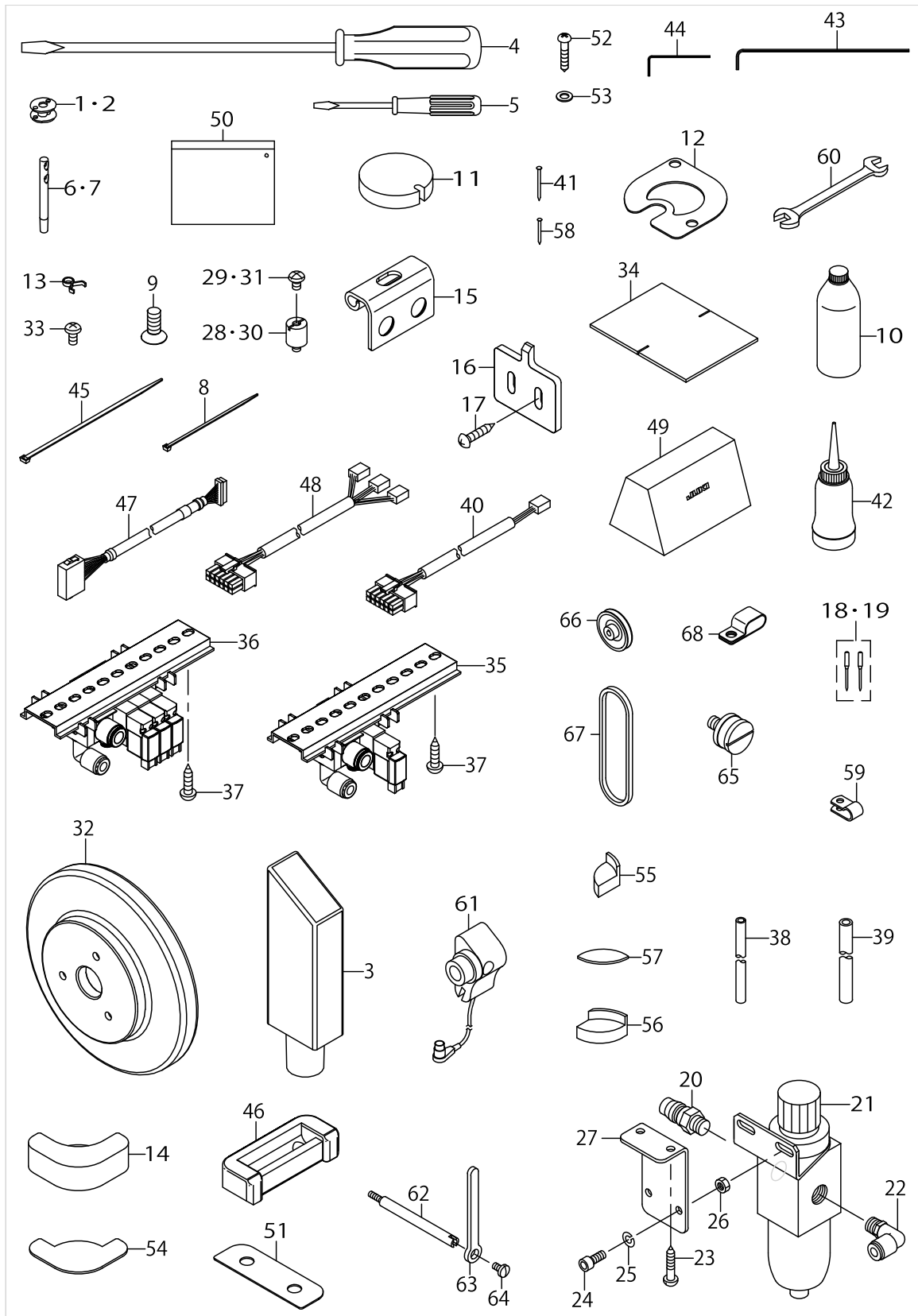
ACCESSORIES PARTS COMPONENTS (2)



ACCESSORIES PARTS COMPONENTS (2)

| No. | Parts No. | Parts name | Remarks | Level | Cons | Qty |
|-----|-------------|----------------------------|---|-------|------|-----|
| 29 | SM4050855SP | SCREW | FOR PLC-2710-7,2760-7 | | | 2 |
| 30 | 40126222 | CP_SPACER | | | | 2 |
| 31 | SM4050855SP | SCREW | | | | 2 |
| 32 | 40026457 | HAND WHEEL B | FOR PLC-2710,2760,2760L,2765 | | | 1 |
| 33 | SM4051055SP | SCREW | FOR PLC-2710,2760,2760L,2765 | | | 9 |
| 34 | 40133730 | OIL FILTER | | | | 1 |
| 35 | 40133982 | SOLENOID VALVE ASM. | FOR PLC-2710(WITH AK), 2760(WITH AK),2760L(WITH AK), 2765(WITH AK) | | | 1 |
| 36 | 40133978 | SOLENOID VALVE ASM. | FOR PLC-2710(WITH AK,BT,DL), 2760(WITH AK,BT,DL), 2760L(WITH AK,BT,DL), 2765(WITH AK,BT,DL) | | | 1 |
| 37 | SK3482001SE | WOOD SCREW D=4.8 L=20 | FOR PLC-2710(WITH AK), 2710(WITH AK,BT,-DL), 2760(WITH AK),2760L(WITH AK), 2765(WITH AK), 2760(WITH AK,BT,DL), 2760L(WITH AK,BT,DL), 2765(WITH AK,BT,DL), | | | 2 |
| 38 | BT0600401EB | TUBE | FOR PLC-2710(WITH AK), 2710(WITH AK,BT,-DL), 2760(WITH AK),2760L(WITH AK), 2765(WITH AK), 2760(WITH AK,BT,DL), 2760L(WITH AK,BT,DL), 2765(WITH AK,BT,DL), | | | 1.1 |
| 39 | BT0800501EB | VINYL TUBE | FOR PLC-2710(WITH AK), 2710(WITH AK,BT,-DL), 2760(WITH AK),2760L(WITH AK), 2765(WITH AK), 2760(WITH AK,BT,DL), 2760L(WITH AK,BT,DL), 2765(WITH AK,BT,DL), | | | 1.1 |
| 40 | 40133983 | SOLENOID VALVE CABLE ASM. | FOR PLC-2710(WITH AK), 2760(WITH AK),2760L(WITH AK), 2765(WITH AK) | | | 1 |
| 41 | 10539906 | SET NAIL | | | | 6 |
| 42 | B91210120A0 | OILER ASM. | | | | 1 |
| 43 | 10777407 | WRENCH 2.5MM | | | | 1 |
| 44 | 40079298 | WRENCH | | | | 1 |
| 45 | EA9500B0200 | CABLE BAND 150 | FOR PLC-2710(WITH AK), 2710(WITH AK,BT,-DL), 2760(WITH AK),2760L(WITH AK), 2765(WITH AK), 2760(WITH AK,BT,DL), 2760L(WITH AK,BT,DL), 2765(WITH AK,BT,DL), | | | 3 |
| 46 | 40164521 | HINGE_RUBBER | | | | 2 |
| 47 | 40133985 | AIR VALVE RELAY CABLE ASM. | FOR PLC-2710(WITH AK), 2710(WITH AK,BT,-DL), 2760(WITH AK),2760L(WITH AK), 2765(WITH AK), 2760(WITH AK,BT,DL), 2760L(WITH AK,BT,DL), 2765(WITH AK,BT,DL), | | | 1 |
| 48 | 40133979 | SOLENOID VALVE CABLE ASM. | FOR PLC-2710(WITH AK,BT,DL), 2760(WITH AK,BT,DL), 2760L(WITH AK,BT,DL), 2765(WITH AK,BT,DL) | | | 1 |
| 49 | 40027770 | VINYL COVER | | | | 1 |
| 50 | 22932800 | ACCESSORIE BAG | | | | 1 |
| 51 | 40163914 | HINGE_SPACER | | | | 2 |
| 52 | SK3452501SE | SCREW D=4.5 L=25 | | | | 4 |
| 53 | WP0550800SP | WASHER 5.5X10X0.8 | | | | 4 |
| 54 | 10740900 | RUBBER | | | | 11 |
| 55 | 40151803 | RUBBER_CUSHION_LEFT | | | | 1 |
| 56 | 40151804 | RUBBER_CUSHION_RIGHT | | | | 1 |
| 57 | 40151805 | RUBBER_CUSHION_SHEET | | | | 4 |
| 58 | 22926208 | NAIL | | | | 2 |
| 59 | HX00150000B | CABLE CLIP | FOR PLC-2710-7,2760-7 | | | 1 |
| 60 | B9113012000 | WRENCH (9X10) | FOR PLC-2760,2760-7,2760L,2765 | | | 1 |
| 61 | 40026920 | SYNCHRONIZER ASM | | | | 1 |
| 62 | 40135507 | SYNCHRONIZER_HOLD_STUD | | | | 1 |
| 63 | 40135506 | SYNCHRONIZER_HOLD_PLATE | | | | 1 |
| 64 | SM4061201SC | SCREW M6 L=12 | | | | 1 |
| 65 | 22622401 | SYNCRO FRNGE | | | | 1 |
| 66 | MTSP00700B0 | MOTOR PULLEY ASM. P.C.D 70 | | | | 1 |

ACCESSORIES PARTS COMPONENTS (2)



ACCESSORIES PARTS COMPONENTS (2)

| No. | Parts No. | Parts name | Remarks | Level | Cons | Qty |
|-----|-------------|----------------|---------|-------|------|-----|
| 67 | MTJVH00540A | V BELT 54 INCH | | | | 1 |
| 68 | D2112555B00 | CORD HOLDER | | | | 1 |

TABLE OF EXCHANGING GAUGE PARTS(FOR PLC-2710,2710-7)


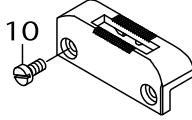
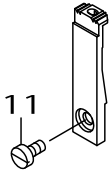

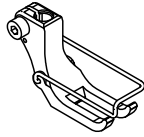
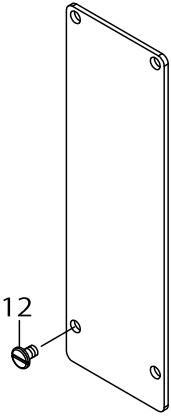
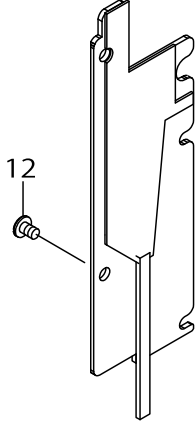
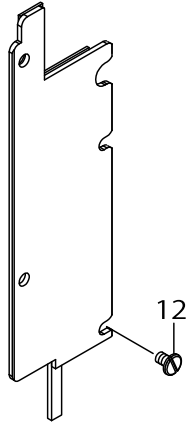










| | | | | | |
|---|-----------|---|-----------|---|-----------|
| Needle bar threas guide 針棒糸掛け | | Needle plate 針板 | | | |
|  | | PLC-2710 | | PLC-2710-7 | |
| | |  | | | |
| Ref.No. | 1 | Ref.No. | 2 | Ref.No. | 3 |
| Part No. | 401-43221 | Part No. | 401-30068 | Part No. | 401-30067 |
| Feed dog 送り歯 | | Feed foot asm. 送り足 (組) | | Presser foot asm. 押え足 (組) | |
|  | |  | |  | |
| Ref.No. | 4 | Ref.No. | 5 | Ref.No. | 6 |
| Part No. | 401-30061 | Part No. | 107-11653 | Part No. | 107-12552 |
| Feed lever base cover 送りてこ台カバー | | Feed lever base cover F asm. 側面カバーF (組) | | Feed lever base cover A asm. 側面カバーA (組) | |
|  | |  | |  | |
| Ref.No. | 7 | Ref.No. | 8 | Ref.No. | 9 |
| Part No. | 401-29979 | Part No. | 401-34098 | Part No. | 401-34097 |

TABLE OF EXCHANGING GAUGE PARTS(FOR PLC-2710,2710-7)

| No. | Parts No. | Parts name | Remarks | Level | Cons | Qty |
|-----|-------------|-------------------------------|----------------|-------|------|-----|
| 1 | 40143221 | NEEDLE_BAR_THREAD_GUIDE_2810A | | | ☆ | 1 |
| 2 | 40130068 | NEEDLE_PLATE | FOR PLC-2710 | | ☆ | 1 |
| 3 | 40130067 | NEEDLE_PLATE | FOR PLC-2710-7 | | ☆ | 1 |
| 4 | 40130061 | FEED_DOG | | | ☆ | 1 |
| 5 | 10711653 | FEED FOOT ASM. | | | ☆ | 1 |
| 6 | 10712552 | PRESSER FOOT ASM. | | | ☆ | 1 |
| 7 | 40129979 | FEED_LEVER_BASE_COVER | | | | 1 |
| 8 | 40134098 | FEED LEVER BASE COVER F ASM. | | | | 1 |
| 9 | 40134097 | FEED LEVER BASE COVER A ASM. | | | | 1 |
| 10 | SM6040800SP | SCREW | | | | 2 |
| 11 | SS6110480SP | SCREW 11/64-40 L=4.3 | | | | 1 |
| 12 | SM6040650TP | SCREW | | | | 4 |

TABLE OF EXCHANGING GAUGE PARTS (FOR PLC-2760,2760-7,2760L,2765)

| GAUGE SET ゲージセット | | |  |  |  |  |  | | | |
|---------------------|-----------|------------------------|---|---|---|---|---|-----------|-----------|-----------|
| | | | THROAT PLATE A 針板(糸切りなし) | THROAT PLATE A7 針板(糸切り有り) | FEED DOG 送り歯 | NEEDLE CLAMP ASM. 針留め(組) | BED COVER A ベットカバー | | | |
| No. | Part No. | Name | No. | Part No. | No. | Part No. | No. | Part No. | | |
| 1 | 401-71198 | GAUGE SET 3MM(2760) | 24 | 401-72353 | | 47 | 401-45765 | 63 | 401-44367 | |
| 2 | 401-71199 | GAUGE SET 3MM(2760-7) | | | 40 | 401-45774 | | | | |
| 3 | 401-71200 | GAUGE SET 4MM(2760) | 25 | 401-72354 | | 48 | 401-64656 | 64 | 401-44369 | |
| 4 | 401-71201 | GAUGE SET 4MM(2760-7) | | | 41 | 401-64657 | | | | |
| 5 | 401-71202 | GAUGE SET 6MM(2760) | 26 | 401-31017 | | 49 | 401-30925 | 65 | 400-38778 | |
| 6 | 401-71203 | GAUGE SET 6MM(2760-7) | | | 42 | 401-30927 | | | | |
| 7 | 401-71204 | GAUGE SET 8MM(2760) | 27 | 401-31016 | | 50 | 401-30907 | 66 | 400-38776 | |
| 8 | 401-71205 | GAUGE SET 8MM(2760-7) | | | 43 | 401-30908 | | | | |
| 9 | 401-71206 | GAUGE SET 8MM(2760L) | 28 | 401-53188 | | 51 | 401-53187 | | | |
| 10 | 401-71207 | GAUGE SET 8MM(2765) | 29 | 401-31016 | | 52 | 401-30907 | 67 | 400-62043 | |
| 11 | 401-71208 | GAUGE SET 10MM(2760) | 30 | 401-30065 | | | | 68 | 400-62041 | |
| 12 | 401-71210 | GAUGE SET 10MM(2760-7) | | | 44 | 401-30064 | 53 | 401-30062 | 69 | 400-38774 |
| 13 | 401-71212 | GAUGE SET 10MM(2760L) | 31 | 401-30066 | | | 54 | 401-30063 | | |
| 14 | 401-71222 | GAUGE SET 10MM(2765) | 32 | 401-30065 | | | 55 | 401-30062 | 70 | 230-23856 |
| 15 | 401-71228 | GAUGE SET 12MM(2760) | 33 | 401-31018 | | | | | 71 | 230-21355 |
| 16 | 401-71229 | GAUGE SET 12MM(2760-7) | | | 45 | 401-30928 | 56 | 401-30926 | 72 | 400-38772 |
| 17 | 401-71230 | GAUGE SET 12MM(2760L) | 34 | 401-71245 | | | 57 | 401-72165 | | |
| 18 | 401-71231 | GAUGE SET 12MM(2765) | 35 | 401-31018 | | | 58 | 401-30926 | 73 | 401-72168 |
| 19 | 401-71232 | GAUGE SET 14MM(2760) | 36 | 401-71244 | | | | | 74 | 401-72170 |
| 20 | 401-71233 | GAUGE SET 14MM(2760-7) | | | 46 | 401-71240 | 59 | 401-71239 | 75 | 401-44371 |
| 21 | 401-71234 | GAUGE SET 14MM(2760L) | 37 | 401-71246 | | | 60 | 401-72166 | | |
| 22 | 401-71235 | GAUGE SET 14MM(2765) | 38 | 401-71244 | | | 61 | 401-71239 | 76 | 401-72171 |
| 23 | 401-71236 | GAUGE SET 16MM(2760L) | 39 | 401-71247 | | | 62 | 401-72167 | 77 | 401-72172 |

| GAUGE SET ゲージセット | | |  |  |  |  |  | | | | |
|---------------------|-----------|------------------------|---|---|--|---|---|----------|-----------|-----|-----------|
| | | | PRESSER FOOT ASM. 押え足(組) | FINGER GUARD 指ガード | FEED FOOT ASM. 送り足(組) | NEEDLE CLAMP ASM. 針留め(組) | BED COVER A ベットカバー | | | | |
| No. | Part No. | Name | No. | Part No. | No. | Part No. | No. | Part No. | | | |
| 1 | 401-71198 | GAUGE SET 3MM(2760) | | | | 88 | 400-61164 | 98 | 401-45775 | | |
| 2 | 401-71199 | GAUGE SET 3MM(2760-7) | 79 | ※401-44390 | 85 | 107-86903 | | 89 | 400-61806 | 99 | 401-64675 |
| 3 | 401-71200 | GAUGE SET 4MM(2760) | | | | | | | | | |
| 4 | 401-71201 | GAUGE SET 4MM(2760-7) | 80 | ※107-81557 | | | | | | | |
| 5 | 401-71202 | GAUGE SET 6MM(2760) | | | | | | | | | |
| 6 | 401-71203 | GAUGE SET 6MM(2760-7) | 81 | 400-38810 | | | | | | | |
| 7 | 401-71204 | GAUGE SET 8MM(2760) | | | | | | | | | |
| 8 | 401-71205 | GAUGE SET 8MM(2760-7) | | | | | | | | | |
| 9 | 401-71206 | GAUGE SET 8MM(2760L) | 82 | 400-38808 | 86 | 400-38799 | | 90 | 400-38854 | 100 | 401-34017 |
| 10 | 401-71207 | GAUGE SET 8MM(2765) | | | | | | 91 | 400-38852 | | |
| 11 | 401-71208 | GAUGE SET 10MM(2760) | | | | | | 92 | 400-67204 | 101 | 401-34018 |
| 12 | 401-71210 | GAUGE SET 10MM(2760-7) | | | | | | 93 | 400-38852 | | |
| 13 | 401-71212 | GAUGE SET 10MM(2760L) | 83 | 400-38806 | | | | 94 | 400-38850 | | |
| 14 | 401-71222 | GAUGE SET 10MM(2765) | | | | | | 95 | 400-39271 | 102 | 401-34019 |
| 15 | 401-71228 | GAUGE SET 12MM(2760) | | | | | | 96 | 400-38850 | | |
| 16 | 401-71229 | GAUGE SET 12MM(2760-7) | | | | | | 97 | 400-38848 | | |
| 17 | 401-71230 | GAUGE SET 12MM(2760L) | 84 | 400-38802 | 87 | 400-38794 | | | | 103 | 401-34020 |
| 18 | 401-71231 | GAUGE SET 12MM(2765) | | | | | | | | | |






※Without center guide
※センターガイド無し






Gauge set number not include slide plate
ゲージセットの構成には滑り板は含まれていません
Presser foot asm has finger guard
指ガードは押え足組の構成部品です

TABLE OF EXCHANGING GAUGE PARTS (FOR PLC-2760,2760-7,2760L,2765)

| No. | Parts No. | Parts name | Remarks | Level | Cons | Qty |
|-----|-----------|------------------------|---------|-------|------|-----|
| 1 | 40171198 | GAUGE_SET_3MM_2760 | | | | 1 |
| 2 | 40171199 | GAUGE_SET_3MM_2760-7 | | | | 1 |
| 3 | 40171200 | GAUGE_SET_4MM_2760 | | | | 1 |
| 4 | 40171201 | GAUGE_SET_4MM_2760-7 | | | | 1 |
| 5 | 40171202 | GAUGE_SET_6MM_2760 | | | | 1 |
| 6 | 40171203 | GAUGE_SET_6MM_2760-7 | | | | 1 |
| 7 | 40171204 | GAUGE_SET_8MM_2760 | | | | 1 |
| 8 | 40171205 | GAUGE_SET_8MM_2760-7 | | | | 1 |
| 9 | 40171206 | GAUGE_SET_8MM_2760L | | | | 1 |
| 10 | 40171207 | GAUGE_SET_8MM_2765 | | | | 1 |
| 11 | 40171208 | GAUGE_SET_10MM_2760 | | | | 1 |
| 12 | 40171210 | GAUGE_SET_10MM_2760-7 | | | | 1 |
| 13 | 40171212 | GAUGE_SET_10MM_2760L | | | | 1 |
| 14 | 40171222 | GAUGE_SET_10MM_2765 | | | | 1 |
| 15 | 40171228 | GAUGE_SET_12MM_2760 | | | | 1 |
| 16 | 40171229 | GAUGE_SET_12MM_2760-7 | | | | 1 |
| 17 | 40171230 | GAUGE_SET_12MM_2760L | | | | 1 |
| 18 | 40171231 | GAUGE_SET_12MM_2765 | | | | 1 |
| 19 | 40171232 | GAUGE_SET_14MM_2760 | | | | 1 |
| 20 | 40171233 | GAUGE_SET_14MM_2760-7 | | | | 1 |
| 21 | 40171234 | GAUGE_SET_14MM_2760L | | | | 1 |
| 22 | 40171235 | GAUGE_SET_14MM_2765 | | | | 1 |
| 23 | 40171236 | GAUGE_SET_16MM_2760L | | | | 1 |
| 24 | 40172353 | NEEDLE_PLATE_3MM_60 | | | | 1 |
| 25 | 40172354 | NEEDLE_PLATE_4MM_60 | | | | 1 |
| 26 | 40131017 | NEEDLE_PLATE_6MM_60 | | | | 1 |
| 27 | 40131016 | NEEDLE_PLATE_8MM_60 | | | | 1 |
| 28 | 40153188 | NEEDLE_PLATE_8MM_60L | | | | 1 |
| 29 | 40131016 | NEEDLE_PLATE_8MM_60 | | | | 1 |
| 30 | 40130065 | NEEDLE_PLATE | | | | 1 |
| 31 | 40130066 | NEEDLE_PLATE | | | | 1 |
| 32 | 40130065 | NEEDLE_PLATE | | | | 1 |
| 33 | 40131018 | NEEDLE_PLATE_12MM_60 | | | | 1 |
| 34 | 40171245 | NEEDLE_PLATE_12MM_60L | | | | 1 |
| 35 | 40131018 | NEEDLE_PLATE_12MM_60 | | | | 1 |
| 36 | 40171244 | NEEDLE_PLATE_14MM_60 | | | | 1 |
| 37 | 40171246 | NEEDLE_PLATE_14MM_60L | | | | 1 |
| 38 | 40171244 | NEEDLE_PLATE_14MM_60 | | | | 1 |
| 39 | 40171247 | NEEDLE_PLATE_16MM_60L | | | | 1 |
| 40 | 40145774 | NEEDLE_PLATE_3MM_60_7 | | | | 1 |
| 41 | 40164657 | NEEDLE_PLATE_4MM_60_7 | | | | 1 |
| 42 | 40130927 | NEEDLE_PLATE_6MM_60_7 | | | | 1 |
| 43 | 40130908 | NEEDLE_PLATE_8MM_60_7 | | | | 1 |
| 44 | 40130064 | NEEDLE_PLATE | | | | 1 |
| 45 | 40130928 | NEEDLE_PLATE_12MM_60_7 | | | | 1 |
| 46 | 40171240 | NEEDLE_PLATE_14MM_60_7 | | | | 1 |
| 47 | 40145765 | FEED_DOG_3MM | | | | 1 |

TABLE OF EXCHANGING GAUGE PARTS (FOR PLC-2760,2760-7,2760L,2765)

| GAUGE SET ゲージセット | | |  |  |  |  |  | | | |
|---------------------|-----------|------------------------|---|---|---|---|---|-----------|-----------|-----------|
| | | | THROAT PLATE A 針板(糸切りなし) | THROAT PLATE A7 針板(糸切り有り) | FEED DOG 送り歯 | NEEDLE CLAMP ASM. 針留め(組) | BED COVER A ベットカバー | | | |
| No. | Part No. | Name | No. | Part No. | No. | Part No. | No. | Part No. | | |
| 1 | 401-71198 | GAUGE SET 3MM(2760) | 24 | 401-72353 | | 47 | 401-45765 | 63 | 401-44367 | |
| 2 | 401-71199 | GAUGE SET 3MM(2760-7) | | | 40 | 401-45774 | | | | |
| 3 | 401-71200 | GAUGE SET 4MM(2760) | 25 | 401-72354 | | 48 | 401-64656 | 64 | 401-44369 | |
| 4 | 401-71201 | GAUGE SET 4MM(2760-7) | | | 41 | 401-64657 | | | | |
| 5 | 401-71202 | GAUGE SET 6MM(2760) | 26 | 401-31017 | | 49 | 401-30925 | 65 | 400-38778 | |
| 6 | 401-71203 | GAUGE SET 6MM(2760-7) | | | 42 | 401-30927 | | | | |
| 7 | 401-71204 | GAUGE SET 8MM(2760) | 27 | 401-31016 | | 50 | 401-30907 | 66 | 400-38776 | |
| 8 | 401-71205 | GAUGE SET 8MM(2760-7) | | | 43 | 401-30908 | | | | |
| 9 | 401-71206 | GAUGE SET 8MM(2760L) | 28 | 401-53188 | | 51 | 401-53187 | | | |
| 10 | 401-71207 | GAUGE SET 8MM(2765) | 29 | 401-31016 | | 52 | 401-30907 | 67 | 400-62043 | |
| 11 | 401-71208 | GAUGE SET 10MM(2760) | 30 | 401-30065 | | | | 68 | 400-62041 | |
| 12 | 401-71210 | GAUGE SET 10MM(2760-7) | | | 44 | 401-30064 | 53 | 401-30062 | 69 | 400-38774 |
| 13 | 401-71212 | GAUGE SET 10MM(2760L) | 31 | 401-30066 | | | 54 | 401-30063 | | |
| 14 | 401-71222 | GAUGE SET 10MM(2765) | 32 | 401-30065 | | | 55 | 401-30062 | 70 | 230-23856 |
| 15 | 401-71228 | GAUGE SET 12MM(2760) | 33 | 401-31018 | | | | | 71 | 230-21355 |
| 16 | 401-71229 | GAUGE SET 12MM(2760-7) | | | 45 | 401-30928 | 56 | 401-30926 | 72 | 400-38772 |
| 17 | 401-71230 | GAUGE SET 12MM(2760L) | 34 | 401-71245 | | | 57 | 401-72165 | | |
| 18 | 401-71231 | GAUGE SET 12MM(2765) | 35 | 401-31018 | | | 58 | 401-30926 | 73 | 401-72168 |
| 19 | 401-71232 | GAUGE SET 14MM(2760) | 36 | 401-71244 | | | | | 74 | 401-72170 |
| 20 | 401-71233 | GAUGE SET 14MM(2760-7) | | | 46 | 401-71240 | 59 | 401-71239 | 75 | 401-44371 |
| 21 | 401-71234 | GAUGE SET 14MM(2760L) | 37 | 401-71246 | | | 60 | 401-72166 | | |
| 22 | 401-71235 | GAUGE SET 14MM(2765) | 38 | 401-71244 | | | 61 | 401-71239 | 76 | 401-72171 |
| 23 | 401-71236 | GAUGE SET 16MM(2760L) | 39 | 401-71247 | | | 62 | 401-72167 | 77 | 401-72172 |

| GAUGE SET ゲージセット | | |  |  |  |  |  | | | |
|---------------------|-----------|------------------------|---|---|--|---|---|-----------|-----------|-----------|
| | | | PRESSER FOOT ASM. 押え足(組) | FINGER GUARD 指ガード | FEED FOOT ASM. 送り足(組) | NEEDLE CLAMP ASM. 針留め(組) | BED COVER A ベットカバー | | | |
| No. | Part No. | Name | No. | Part No. | No. | Part No. | No. | Part No. | | |
| 1 | 401-71198 | GAUGE SET 3MM(2760) | | | | 88 | 400-61164 | 98 | 401-45775 | |
| 2 | 401-71199 | GAUGE SET 3MM(2760-7) | 79 | ※401-44390 | 85 | 107-86903 | 89 | 400-61806 | 99 | 401-64675 |
| 3 | 401-71200 | GAUGE SET 4MM(2760) | | | | | | | | |
| 4 | 401-71201 | GAUGE SET 4MM(2760-7) | 80 | ※107-81557 | | | 90 | 400-38854 | 100 | 401-34017 |
| 5 | 401-71202 | GAUGE SET 6MM(2760) | | | | | | | | |
| 6 | 401-71203 | GAUGE SET 6MM(2760-7) | 81 | 400-38810 | | | 91 | 400-38852 | | |
| 7 | 401-71204 | GAUGE SET 8MM(2760) | | | | | | | | |
| 8 | 401-71205 | GAUGE SET 8MM(2760-7) | | | | | | | | |
| 9 | 401-71206 | GAUGE SET 8MM(2760L) | 82 | 400-38808 | 86 | 400-38799 | 92 | 400-67204 | 101 | 401-34018 |
| 10 | 401-71207 | GAUGE SET 8MM(2765) | | | | | 93 | 400-38852 | | |
| 11 | 401-71208 | GAUGE SET 10MM(2760) | | | | | | | | |
| 12 | 401-71210 | GAUGE SET 10MM(2760-7) | | | | | 94 | 400-38850 | | |
| 13 | 401-71212 | GAUGE SET 10MM(2760L) | 83 | 400-38806 | | | 95 | 400-39271 | 102 | 401-34019 |
| 14 | 401-71222 | GAUGE SET 10MM(2765) | | | | | | | | |
| 15 | 401-71228 | GAUGE SET 12MM(2760) | | | | | 96 | 400-38850 | | |
| 16 | 401-71229 | GAUGE SET 12MM(2760-7) | | | | | | | | |
| 17 | 401-71230 | GAUGE SET 12MM(2760L) | 84 | 400-38802 | 87 | 400-38794 | 97 | 400-38848 | | |
| 18 | 401-71231 | GAUGE SET 12MM(2765) | | | | | | | 103 | 401-34020 |





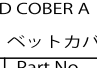
※Without center guide
※センターガイド無し






Gauge set number not include slide plate
ゲージセットの構成には滑り板は含まれていません
Presser foot asm has finger guard
指ガードは押え足組の構成部品です

TABLE OF EXCHANGING GAUGE PARTS (FOR PLC-2760,2760-7,2760L,2765)

| No. | Parts No. | Parts name | Remarks | Level | Cons | Qty |
|-----|-----------|-----------------------------------|---------|-------|------|-----|
| 48 | 40164656 | FEED_DOG_4MM | | | | 1 |
| 49 | 40130925 | FEED_DOG_6MM | | | | 1 |
| 50 | 40130907 | FEED_DOG_8MM | | | | 1 |
| 51 | 40153187 | FEED_DOG_8MM_60L | | | | 1 |
| 52 | 40130907 | FEED_DOG_8MM | | | | 1 |
| 53 | 40130062 | FEED_DOG_10MM | | | | 1 |
| 54 | 40130063 | FEED_DOG_10MM_60L | | | | 1 |
| 55 | 40130062 | FEED_DOG_10MM | | | | 1 |
| 56 | 40130926 | FEED_DOG_12MM | | | | 1 |
| 57 | 40172165 | FEED_DOG_12MM_60L | | | | 1 |
| 58 | 40130926 | FEED_DOG_12MM | | | | 1 |
| 59 | 40171239 | FEED_DOG_14MM | | | | 1 |
| 60 | 40172166 | FEED_DOG_14MM_60L | | | | 1 |
| 61 | 40171239 | FEED_DOG_14MM | | | | 1 |
| 62 | 40172167 | FEED_DOG_16MM_60L | | | | 1 |
| 63 | 40144367 | NEEDLE_CLAMP_(3MM)_ASM | | | | 1 |
| 64 | 40144369 | NEEDLE_CLAMP_(4MM)_ASM | | | | 1 |
| 65 | 40038778 | NEEDLE_CLAMP(6MM)ASM. | | | | 1 |
| 66 | 40038776 | NEEDLE_CLAMP(8MM)ASM. | | | | 1 |
| 67 | 40062043 | NEEDLE_CLAMP (L) 8MM ASM. | | | | 1 |
| 68 | 40062041 | NEEDLE_CLAMP (R) 8MM ASM. | | | | 1 |
| 69 | 40038774 | NEEDLE_CLAMP(10MM)ASM. | | | | 1 |
| 70 | 23023856 | NEEDLE_CLAMP_LEFT_ASM.10MM | | | | 1 |
| 71 | 23021355 | NEEDLE_CLAMP_RIGHT_ASM.10MM | | | | 1 |
| 72 | 40038772 | NEEDLE_CLAMP(12MM)ASM. | | | | 1 |
| 73 | 40172168 | NEEDLE_CLAMP (L) 12MM ASM. | | | | 1 |
| 74 | 40172170 | NEEDLE_CLAMP (R) 12MM ASM. | | | | 1 |
| 75 | 40144371 | NEEDLE_CLAMP_(14MM)_ASM | | | | 1 |
| 76 | 40172171 | NEEDLE_CLAMP (L) 14MM ASM. | | | | 1 |
| 77 | 40172172 | NEEDLE_CLAMP (R) 14MM ASM. | | | | 1 |
| 78 | 40129982 | BED_COVER_A | | | | 1 |
| 79 | 40144390 | PRESSER_FOOT(3MM)_ASM | | | | 1 |
| 80 | 10781557 | PRESSER_FOOT_ASM.4MM | | | | 1 |
| 81 | 40038810 | PRESSER_FOOT_WITH_GUIDE(6MM)ASM. | | | | 1 |
| 82 | 40038808 | PRESSER_FOOT_WITH_GUIDE(8MM)ASM. | | | | 1 |
| 83 | 40038806 | PRESSER_FOOT_WITH_GUIDE(10MM)ASM. | | | | 1 |
| 84 | 40038802 | PRESSER_FOOT_WITH_GUIDE(12MM)ASM. | | | | 1 |
| 85 | 10786903 | FINGER_GUARD_COVER(4-8MM) | | | | 1 |
| 86 | 40038799 | FINGER_GUARD(4-8MM) | | | | 1 |
| 87 | 40038794 | FINGER_GUARD(10-12MM) | | | | 1 |
| 88 | 40061164 | FEED_FOOT(3MM)ASM. | | | | 1 |
| 89 | 40061806 | FEED_FOOT(4MM)ASM. | | | | 1 |
| 90 | 40038854 | FEED_FOOT_FOR_GUIDE(6MM)ASM. | | | | 1 |
| 91 | 40038852 | FEED_FOOT_FOR_GUIDE(8MM)ASM. | | | | 1 |
| 92 | 40067204 | FEED_FOOT_FOR_GUIDE(8MM)ASM. | | | | 1 |
| 93 | 40038852 | FEED_FOOT_FOR_GUIDE(8MM)ASM. | | | | 1 |
| 94 | 40038850 | FEED_FOOT_FOR_GUIDE(10MM)ASM. | | | | 1 |

TABLE OF EXCHANGING GAUGE PARTS (FOR PLC-2760,2760-7,2760L,2765)

| GAUGE SET ゲージセット | | |  |  |  |  |  | | | |
|---------------------|-----------|------------------------|---|---|---|---|---|-----------|-----------|-----------|
| | | | THROAT PLATE A 針板(糸切りなし) | THROAT PLATE A7 針板(糸切り有り) | FEED DOG 送り歯 | NEEDLE CLAMP ASM. 針留め(組) | BED COVER A ベットカバー | | | |
| No. | Part No. | Name | No. | Part No. | No. | Part No. | No. | Part No. | | |
| 1 | 401-71198 | GAUGE SET 3MM(2760) | 24 | 401-72353 | | 47 | 401-45765 | 63 | 401-44367 | |
| 2 | 401-71199 | GAUGE SET 3MM(2760-7) | | | 40 | 401-45774 | | | | |
| 3 | 401-71200 | GAUGE SET 4MM(2760) | 25 | 401-72354 | | 48 | 401-64656 | 64 | 401-44369 | |
| 4 | 401-71201 | GAUGE SET 4MM(2760-7) | | | 41 | 401-64657 | | | | |
| 5 | 401-71202 | GAUGE SET 6MM(2760) | 26 | 401-31017 | | 49 | 401-30925 | 65 | 400-38778 | |
| 6 | 401-71203 | GAUGE SET 6MM(2760-7) | | | 42 | 401-30927 | | | | |
| 7 | 401-71204 | GAUGE SET 8MM(2760) | 27 | 401-31016 | | 50 | 401-30907 | 66 | 400-38776 | |
| 8 | 401-71205 | GAUGE SET 8MM(2760-7) | | | 43 | 401-30908 | | | | |
| 9 | 401-71206 | GAUGE SET 8MM(2760L) | 28 | 401-53188 | | 51 | 401-53187 | | | |
| 10 | 401-71207 | GAUGE SET 8MM(2765) | 29 | 401-31016 | | 52 | 401-30907 | 67 | 400-62043 | |
| 11 | 401-71208 | GAUGE SET 10MM(2760) | 30 | 401-30065 | | | | 68 | 400-62041 | |
| 12 | 401-71210 | GAUGE SET 10MM(2760-7) | | | 44 | 401-30064 | 53 | 401-30062 | 69 | 400-38774 |
| 13 | 401-71212 | GAUGE SET 10MM(2760L) | 31 | 401-30066 | | | 54 | 401-30063 | | |
| 14 | 401-71222 | GAUGE SET 10MM(2765) | 32 | 401-30065 | | | 55 | 401-30062 | 70 | 230-23856 |
| 15 | 401-71228 | GAUGE SET 12MM(2760) | 33 | 401-31018 | | | | | 71 | 230-21355 |
| 16 | 401-71229 | GAUGE SET 12MM(2760-7) | | | 45 | 401-30928 | 56 | 401-30926 | 72 | 400-38772 |
| 17 | 401-71230 | GAUGE SET 12MM(2760L) | 34 | 401-71245 | | | 57 | 401-72165 | | |
| 18 | 401-71231 | GAUGE SET 12MM(2765) | 35 | 401-31018 | | | 58 | 401-30926 | 73 | 401-72168 |
| 19 | 401-71232 | GAUGE SET 14MM(2760) | 36 | 401-71244 | | | | | 74 | 401-72170 |
| 20 | 401-71233 | GAUGE SET 14MM(2760-7) | | | 46 | 401-71240 | 59 | 401-71239 | 75 | 401-44371 |
| 21 | 401-71234 | GAUGE SET 14MM(2760L) | 37 | 401-71246 | | | 60 | 401-72166 | | |
| 22 | 401-71235 | GAUGE SET 14MM(2765) | 38 | 401-71244 | | | 61 | 401-71239 | 76 | 401-72171 |
| 23 | 401-71236 | GAUGE SET 16MM(2760L) | 39 | 401-71247 | | | 62 | 401-72167 | 77 | 401-72172 |

| GAUGE SET ゲージセット | | |  |  |  |  |  | | | |
|---------------------|-----------|------------------------|---|---|--|---|---|-----------|-----------|-----------|
| | | | PRESSER FOOT ASM. 押え足(組) | FINGER GUARD 指ガード | FEED FOOT ASM. 送り足(組) | NEEDLE CLAMP ASM. 針留め(組) | BED COVER A ベットカバー | | | |
| No. | Part No. | Name | No. | Part No. | No. | Part No. | No. | Part No. | | |
| 1 | 401-71198 | GAUGE SET 3MM(2760) | | | | 88 | 400-61164 | 98 | 401-45775 | |
| 2 | 401-71199 | GAUGE SET 3MM(2760-7) | 79 | ※401-44390 | 85 | 107-86903 | 89 | 400-61806 | 99 | 401-64675 |
| 3 | 401-71200 | GAUGE SET 4MM(2760) | | | | | | | | |
| 4 | 401-71201 | GAUGE SET 4MM(2760-7) | 80 | ※107-81557 | | | 90 | 400-38854 | 100 | 401-34017 |
| 5 | 401-71202 | GAUGE SET 6MM(2760) | | | | | | | | |
| 6 | 401-71203 | GAUGE SET 6MM(2760-7) | 81 | 400-38810 | | | 91 | 400-38852 | | |
| 7 | 401-71204 | GAUGE SET 8MM(2760) | | | | | | | | |
| 8 | 401-71205 | GAUGE SET 8MM(2760-7) | | | 86 | 400-38799 | 92 | 400-67204 | 101 | 401-34018 |
| 9 | 401-71206 | GAUGE SET 8MM(2760L) | 82 | 400-38808 | | | 93 | 400-38852 | | |
| 10 | 401-71207 | GAUGE SET 8MM(2765) | | | | | | | | |
| 11 | 401-71208 | GAUGE SET 10MM(2760) | | | | | 94 | 400-38850 | | |
| 12 | 401-71210 | GAUGE SET 10MM(2760-7) | | | | | | | | |
| 13 | 401-71212 | GAUGE SET 10MM(2760L) | 83 | 400-38806 | | | 95 | 400-39271 | 102 | 401-34019 |
| 14 | 401-71222 | GAUGE SET 10MM(2765) | | | | | | | | |
| 15 | 401-71228 | GAUGE SET 12MM(2760) | | | 87 | 400-38794 | 96 | 400-38850 | | |
| 16 | 401-71229 | GAUGE SET 12MM(2760-7) | | | | | | | | |
| 17 | 401-71230 | GAUGE SET 12MM(2760L) | 84 | 400-38802 | | | 97 | 400-38848 | | |
| 18 | 401-71231 | GAUGE SET 12MM(2765) | | | | | | | 103 | 401-34020 |

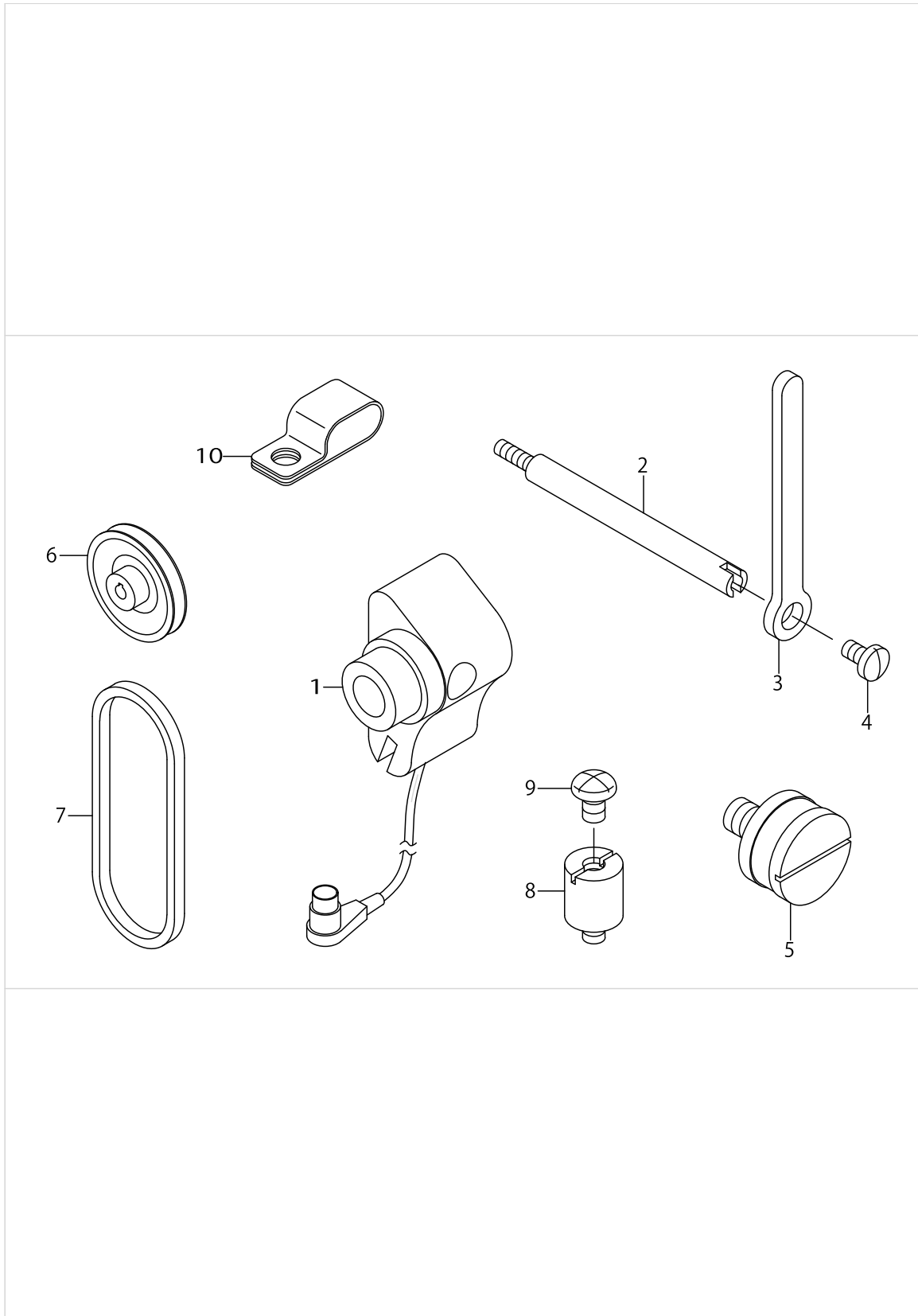
※Without center guide
※センターガイド無し

Gauge set number not include slide plate
ゲージセットの構成には滑り板は含まれていません
Presser foot asm has finger guard
指ガードは押え足組の構成部品です

TABLE OF EXCHANGING GAUGE PARTS (FOR PLC-2760,2760-7,2760L,2765)

| No. | Parts No. | Parts name | Remarks | Level | Cons | Qty |
|-----|-----------|-------------------------------------|---------|-------|------|-----|
| 95 | 40039271 | FEED FOOT FOR GUIDE(10MM 60L)ASM. | | | | 1 |
| 96 | 40038850 | FEED FOOT FOR GUIDE(10MM)ASM. | | | | 1 |
| 97 | 40038848 | FEED FOOT FOR GUIDE(12MM)ASM. | | | | 1 |
| 98 | 40145775 | FEED_LEVER_BASE_COVER_3MM_ASM | | | | 1 |
| 99 | 40164675 | FEED_LEVER_BASE_COVER_4MM | | | | 1 |
| 100 | 40134017 | PH=FEED_LEVER_BASE_COVER_C_6MM ASM. | | | | 1 |
| 101 | 40134018 | PH=FEED_LEVER_BASE_COVER_D_8MM ASM. | | | | 1 |
| 102 | 40134019 | PH=FEED_LEVER_BASE_COVER_B_10M ASM. | | | | 1 |
| 103 | 40134020 | PH=FEED_LEVER_BASE_COVER_E_12M ASM. | | | | 1 |

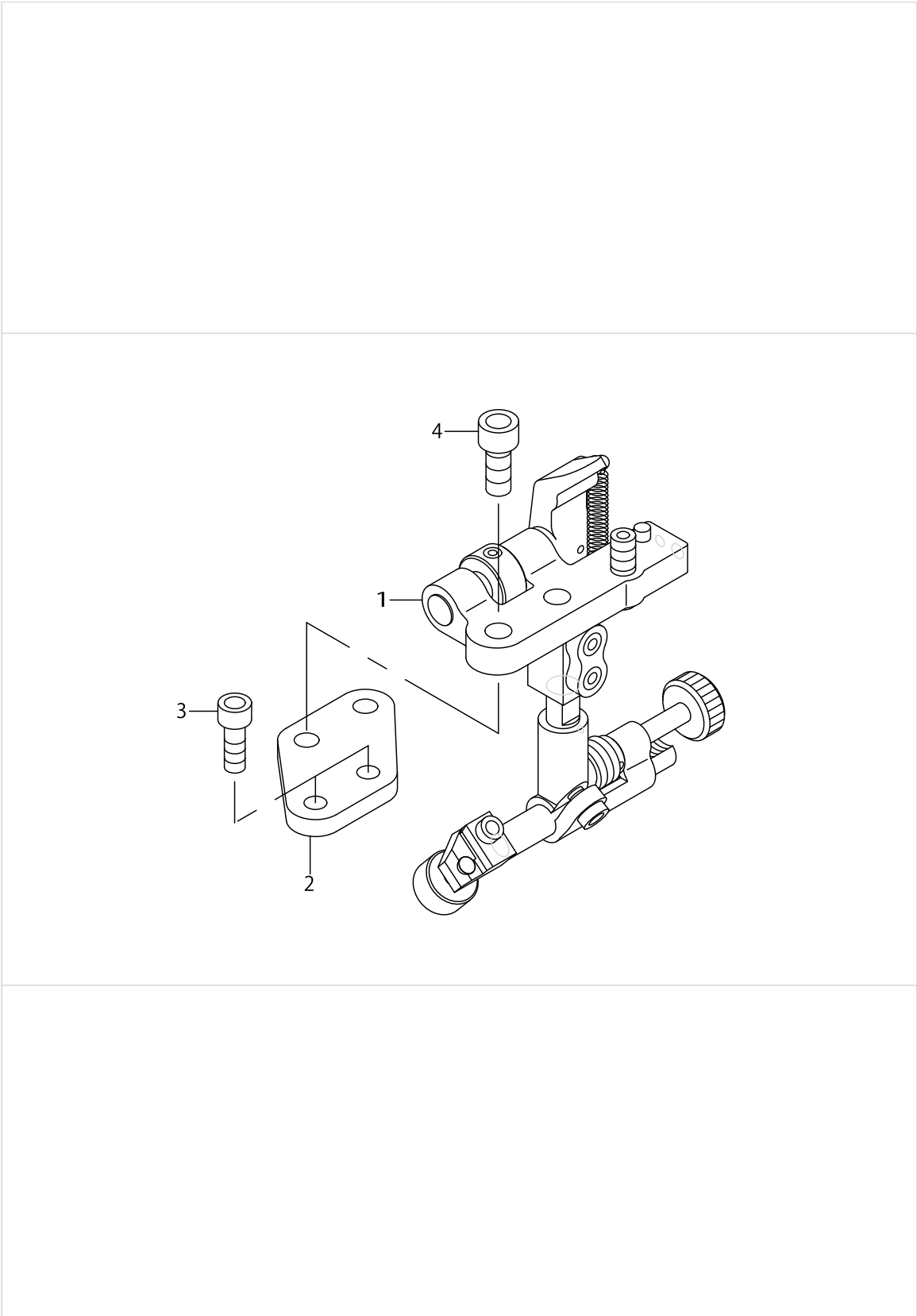
SC-922A KIT COMPONENTS (OPTIONAL PARTS)



SC-922A KIT COMPONENTS (OPTIONAL PARTS)

| No. | Parts No. | Parts name | Remarks | Level | Cons | Qty |
|-----|-------------|----------------------------|---------|-------|------|-----|
| 1 | 40026920 | SYNCHRONIZER ASM. | | | | 1 |
| 2 | 40135507 | SYNCHRONIZER HOLD STUD | | | | 1 |
| 3 | 40135506 | SYNCHRONIZER HOLD PLATE | | | | 1 |
| 4 | SM4061201SC | SCREW M6 L=12 | | | | 1 |
| 5 | 22622401 | SYNCRO FRNGE | | | | 1 |
| 6 | MTSP00700B0 | MOTOR PULLEY ASM. P.C.D 70 | | | | 1 |
| 7 | MTJVH00540A | V BELT 54 INCH | | | | 1 |
| 8 | 40126222 | CP_SPACER | | | | 2 |
| 9 | SM4050855SP | SCREW | | | | 2 |
| 10 | D2112555B00 | CORD HOLDER LARGE | | | | 1 |

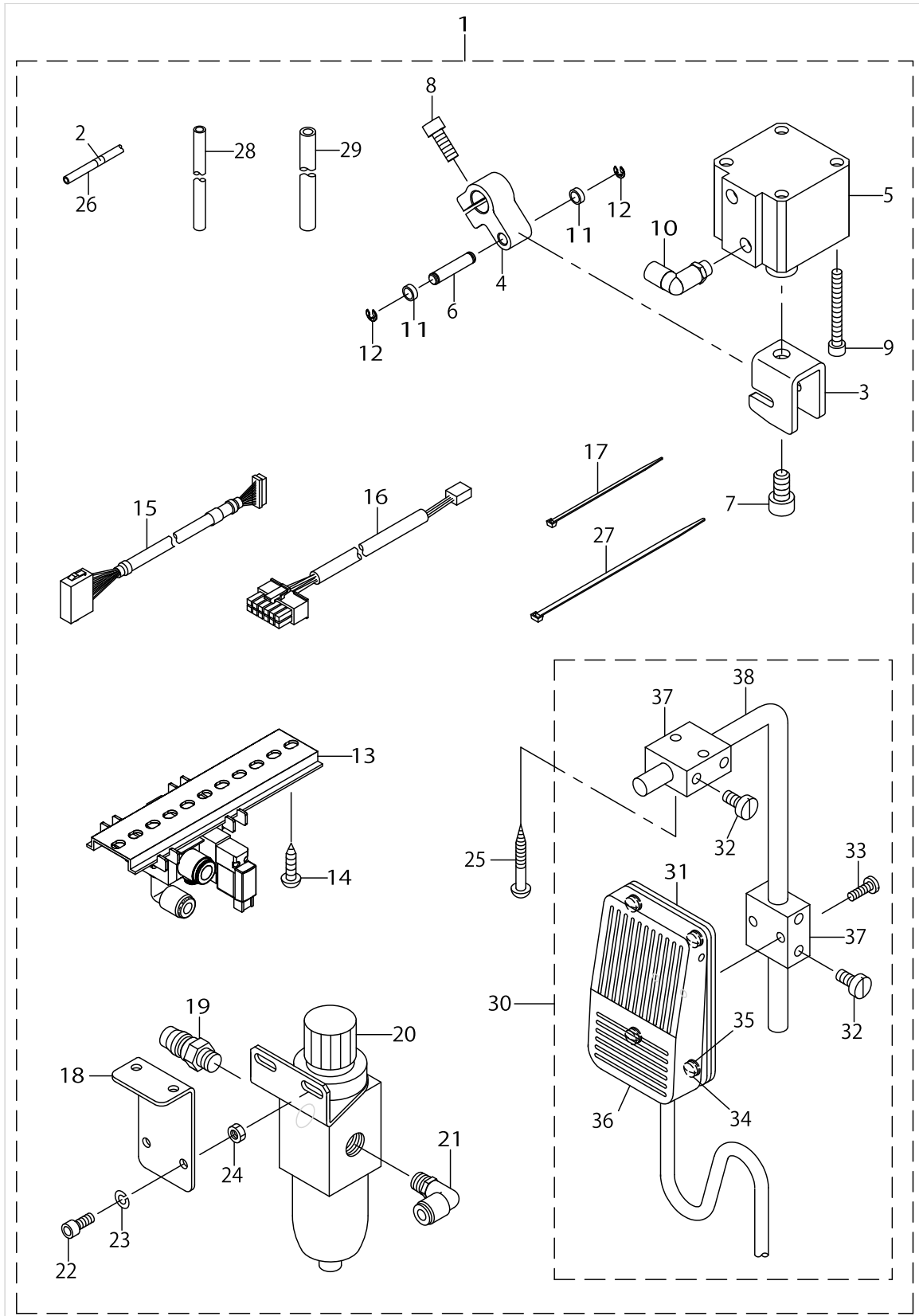
SUSPENSION SQUARE COMPONENTS (OPTIONAL PARTS)



SUSPENSION SQUARE COMPONENTS (OPTIONAL PARTS)

| No. | Parts No. | Parts name | Remarks | Level | Cons | Qty |
|-----|-------------|--------------------------|---------|-------|------|-----|
| 1 | MAH152010A0 | RULER | | | | 1 |
| 2 | 40112214 | EDGE_GUIDE_FITTING_PLATE | | | | 1 |
| 3 | SM6051402TP | SCREW M5X0.8 L=14 | | | | 2 |
| 4 | SM6061402TP | SCREW M6 L=14 | | | | 2 |

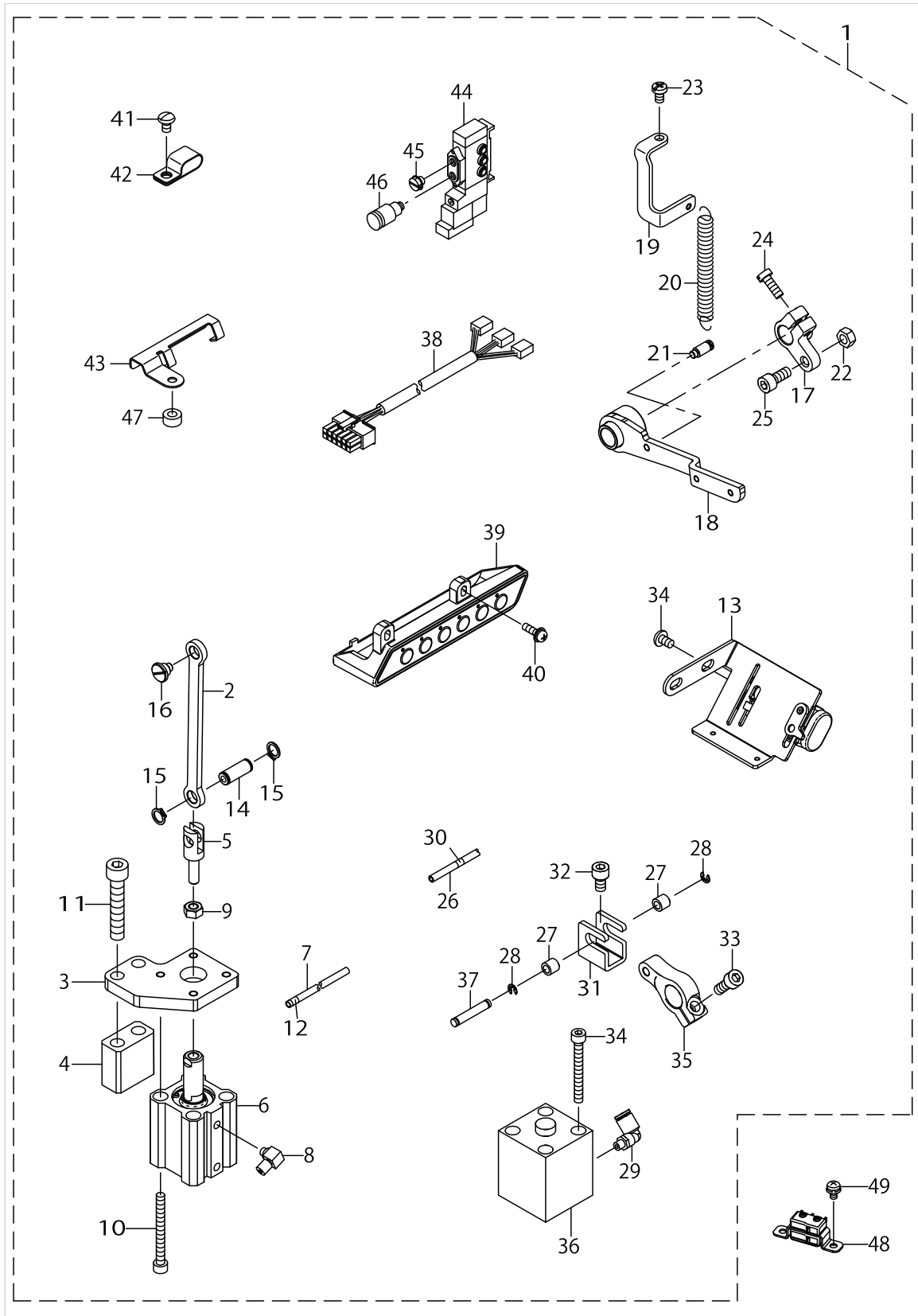
AK KIT COMPONENTS (OPTIONAL PARTS)(FOR PLC-2710,2760,2760L,2765)



AK KIT COMPONENTS (OPTIONAL PARTS)(FOR PLC-2710,2760,2760L,2765)

| No. | Parts No. | Parts name | Remarks | Level | Cons | Qty |
|-----|-------------|----------------------------|---------|-------|------|-----|
| 1 | 40138572 | AK KIT | | | | 1 |
| 2 | 18035907 | WIRE MARK (10) | | * | | 2 |
| 3 | 40112187 | KNUCKLE_JOINT_A | | * | | 1 |
| 4 | 40112188 | LIFTING_ARM | | * | | 1 |
| 5 | PA400150200 | AIR CYLINDER | | * | | 1 |
| 6 | 22949101 | ROLLER FULCRUM SHAFT | | * | | 1 |
| 7 | SM6081552TP | SCREW M8 L=15 | | * | | 1 |
| 8 | SM6061602TP | SCREW M6 L=16 | | * | | 1 |
| 9 | SM6054502TN | SCREW | | * | | 4 |
| 10 | PJ304045102 | ELBOW UNION C | | * | | 1 |
| 11 | 13951009 | PRESSER FOOT ROLLER | | * | | 2 |
| 12 | RE0400000K0 | E-RING 4 | | * | | 2 |
| 13 | 40133982 | SOLENOID VALVE ASM. | | * | | 1 |
| 14 | SK3482001SE | WOOD SCREW D=4.8 L=20 | | * | | 4 |
| 15 | 40133985 | AIR VALVE RELAY CABLE ASM. | | * | | 1 |
| 16 | 40133983 | SOLENOID VALVE CABLE ASM. | | * | | 1 |
| 17 | EA9500B0100 | CABLE BAND | | * | | 2 |
| 18 | 13860408 | REGULATOR BRACKET | | * | | 1 |
| 19 | PJ025100003 | PLUG | | * | | 1 |
| 20 | PF055107000 | FILTER REGULATOR | | * | | 1 |
| 21 | PJ304065101 | ELBOW UNION 6XPT1/8 | | * | | 1 |
| 22 | SM6051202TP | SCREW M5X0.8 L=12 | | * | | 2 |
| 23 | WS0510002KN | SPRING WASHER M5 | | * | | 2 |
| 24 | NM6050001SP | NUT M5 | | * | | 2 |
| 25 | SK3514000SC | WOOD SCREW D=5.1 L=40 | | * | | 2 |
| 26 | BT0400251EB | URETHANE HOSE BLACK | | * | | 1.8 |
| 27 | EA9500B0200 | CABLE BAND 150 | | * | | 3 |
| 28 | BT0600401EB | TUBE | | * | | 1 |
| 29 | BT0800501EB | VINYL TUBE | | * | | 1 |
| 30 | 40025036 | KNEE SWITCH ASM. | | * | | 1 |
| 31 | MAT80232T00 | KNEE SWITCH SUPPORT PLATE | | * | | 1 |
| 32 | SS6151220SP | SCREW 15/64-28 L=11.5 | | * | | 4 |
| 33 | SS7111410SP | SCREW 11/64-40 L=14 | | * | | 2 |
| 34 | SS7110710SL | SCREW 11/64-40 L=7.0 | | * | | 4 |
| 35 | WP0480856SP | WASHER 4.8X8.4X0.8 | | * | | 4 |
| 36 | 40025035 | KNEE SWITCH ASM. | | * | | 1 |
| 37 | MAT80230T00 | KNEE SWITCH SUPPORT BASE | | * | | 2 |
| 38 | MAT80231T00 | DRIVING BAR T002 | | * | | 1 |

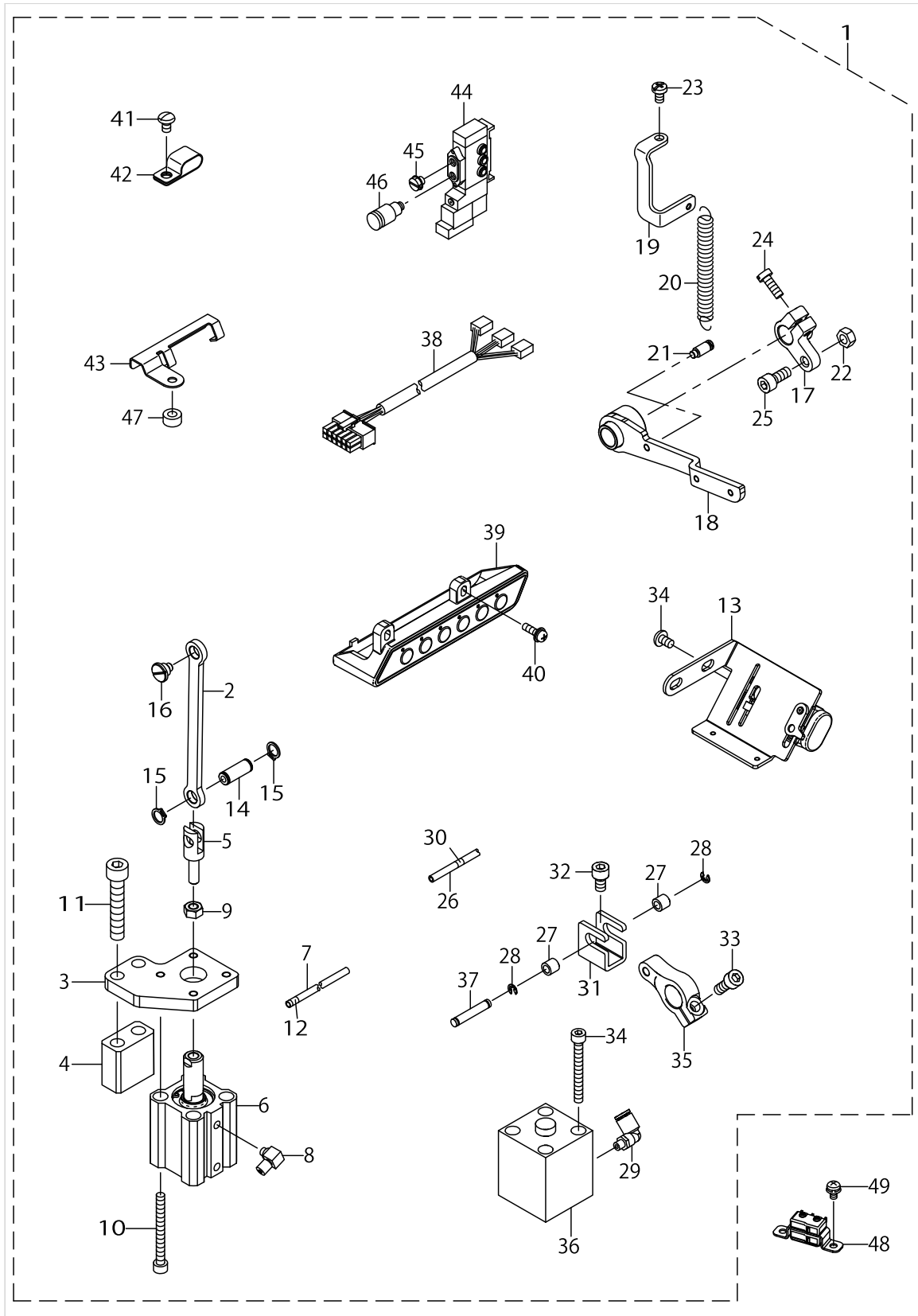
BT,DL KIT COMPONENTS (OPTIONAL PARTS)(FOR PLC-2710(WITH AK),2760(WITH AK),2760L(WITH AK))



BT,DL KIT COMPONENTS (OPTIONAL PARTS)(FOR PLC-2710(WITH AK),2760(WITH AK),2760L(WITH AK))

| No. | Parts No. | Parts name | Remarks | Level | Cons | Qty |
|-----|-------------|--------------------------------|---------|-------|------|-----|
| 1 | 40138898 | BT_DL_KIT | | | | 1 |
| 2 | 40130413 | BT_LINK | | * | | 1 |
| 3 | 40130024 | BT_CYLINDER_PLATE | | * | | 1 |
| 4 | 40130414 | BT_CYLINDER_BLOCK | | * | | 1 |
| 5 | 40052254 | CYLINDER KNUCKLE JOINT | | * | | 1 |
| 6 | PA250250900 | AIR CYLINDER | | * | | 1 |
| 7 | BT0400251EB | URETHANE HOSE BLACK | | * | | 1.8 |
| 8 | PJ046052503 | HOSE ELBOW | | * | | 1 |
| 9 | NM6060001CP | NUT M6 | | * | | 1 |
| 10 | SM6055002TP | SCREW M5 L=50 | | * | | 4 |
| 11 | SM6084502TP | SCREW | | * | | 2 |
| 12 | 18035709 | WIRE MARK (8) | | * | | 2 |
| 13 | 40130285 | TB_SWITCH_ASSY | | * | | 1 |
| 14 | 10714103 | CONNECTION LINK PIN A | | * | | 1 |
| 15 | RC0740811KP | C-RING | | * | | 2 |
| 16 | SD0800406TP | SHOULDER SCREW D=8 H=4 | | * | | 1 |
| 17 | 40112127 | BACKWARD_FEED_CONNECTING_ARM | | * | | 1 |
| 18 | 40129991 | REVERSE_FEED_LEVER_ASM. | | * | | 1 |
| 19 | 40125864 | REVERSE_FEED_LEVER_SPRING_HOOK | | * | | 1 |
| 20 | D2629M1YC0F | SPRING | | * | | 1 |
| 21 | 26229302 | SUSPENSION SCREW | | * | | 1 |
| 22 | NM6050001SD | NUT M5X0.8 | | * | | 1 |
| 23 | SM4050855SP | SCREW | | * | | 3 |
| 24 | SM6051400SP | SCREW | | * | | 1 |
| 25 | SM6051202TP | SCREW M5X0.8 L=12 | | * | | 1 |
| 26 | BT0400251EB | URETHANE HOSE BLACK | | * | | 1.8 |
| 27 | B3031141H00 | CONNECTING STUD | | * | | 2 |
| 28 | RE0320000K0 | E-RING 3.2 | | * | | 2 |
| 29 | PJ304040504 | ELBOW UNION | | * | | 1 |
| 30 | 18035501 | WIRE MARK (6) | | * | | 2 |
| 31 | 40112191 | KNUCKLE_JOINT_B | | * | | 1 |
| 32 | SM6061002TP | SCREW M6 L=10 | | * | | 1 |
| 33 | SM6061602TP | SCREW M6 L=16 | | * | | 1 |
| 34 | SM6054502TP | SCREW M5X0.8 L=45 | | * | | 2 |
| 35 | 40112192 | TERTICAL_CYLINDER_ARM | | * | | 1 |
| 36 | PA250250900 | AIR CYLINDER | | * | | 1 |
| 37 | B1504210000 | CONNECTING SHAFT | | * | | 1 |
| 38 | 40133979 | SOLENOID VALVE CABLE ASM. | | * | | 1 |
| 39 | 40130287 | 6RANGE SWITCH ASM | | * | | 1 |
| 40 | SL4041491SC | SCREW 4X14 | | * | | 2 |
| 41 | SM4050855SP | SCREW | | * | | 4 |
| 42 | D2112555B00 | CORD HOLDER LARGE | | * | | 3 |
| 43 | 40134805 | CABLE HOLDER | | * | | 1 |
| 44 | PV150209100 | SOLENOID VALVE | | * | | 2 |
| 45 | PJ020500002 | PLUG | | * | | 2 |
| 46 | PJ301040502 | HALF UNION 4XM5 | | * | | 2 |
| 47 | B3417051000 | REAR LIFTING BAR ROLLER | | * | | 1 |

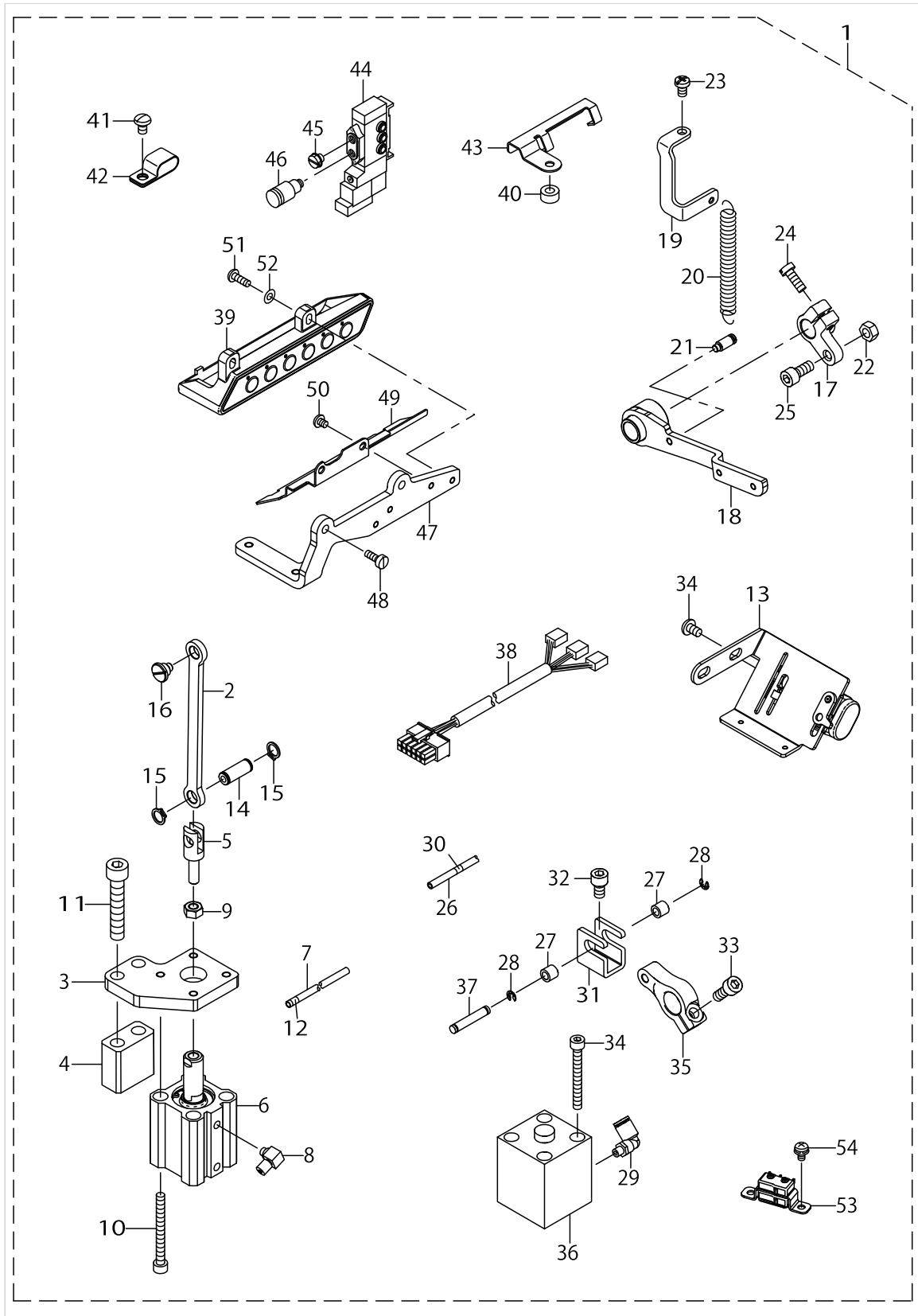
BT,DL KIT COMPONENTS (OPTIONAL PARTS)(FOR PLC-2710(WITH AK),2760(WITH AK),2760L(WITH AK))



BT,DL KIT COMPONENTS (OPTIONAL PARTS)(FOR PLC-2710(WITH AK),2760(WITH AK),2760L(WITH AK))

| No. | Parts No. | Parts name | Remarks | Level | Cons | Qty |
|-----|-------------|-------------------------------|-------------------|-------|------|-----|
| 48 | 40130289 | VERTICAL_DETECTOR_SWITCH_ASM. | FOR PLC-2710,2760 | | | 1 |
| 49 | SL4040691SC | SCREW M4 L=6 | FOR PLC-2710,2760 | | | 2 |

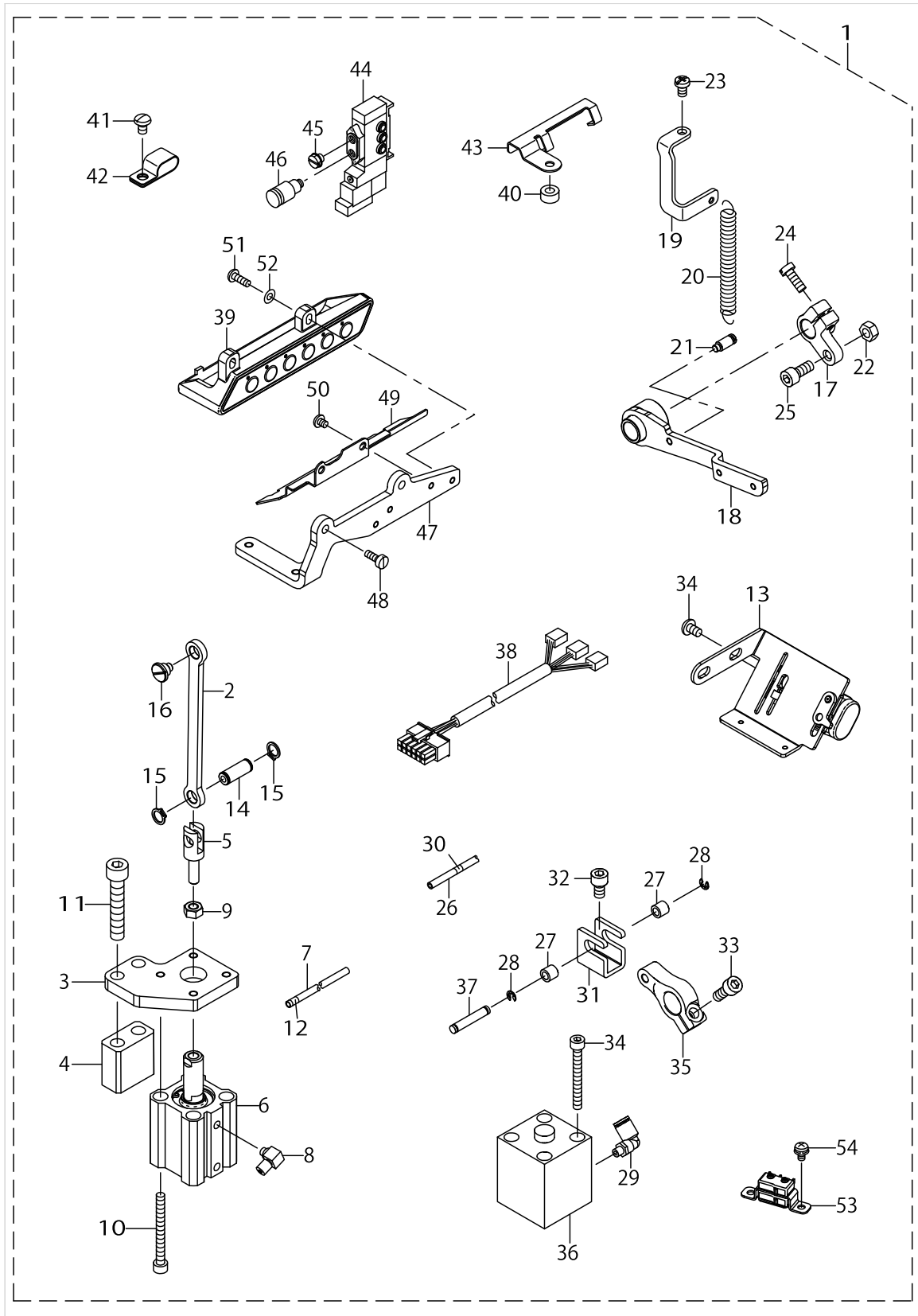
BT,DL KIT COMPONENTS (OPTIONAL PARTS)(FOR PLC-2765(WITH AK))



BT,DL KIT COMPONENTS (OPTIONAL PARTS)(FOR PLC-2765(WITH AK))

| No. | Parts No. | Parts name | Remarks | Level | Cons | Qty |
|-----|-------------|--------------------------------|---------|-------|------|-----|
| 1 | 40139586 | BT_DL_KIT | | | | 1 |
| 2 | 40130413 | BT_LINK | | * | | 1 |
| 3 | 40130024 | BT_CYLINDER_PLATE | | * | | 1 |
| 4 | 40130414 | BT_CYLINDER_BLOCK | | * | | 1 |
| 5 | 40052254 | CYLINDER KNUCKLE JOINT | | * | | 1 |
| 6 | PA250250900 | AIR CYLINDER | | * | | 1 |
| 7 | BT0400251EB | URETHANE HOSE BLACK | | * | | 1.8 |
| 8 | PJ046052503 | HOSE ELBOW | | * | | 1 |
| 9 | NM6060001CP | NUT M6 | | * | | 1 |
| 10 | SM6055002TP | SCREW M5 L=50 | | * | | 4 |
| 11 | SM6084502TP | SCREW | | * | | 2 |
| 12 | 18035709 | WIRE MARK (8) | | * | | 2 |
| 13 | 40130285 | TB_SWITCH_ASSY | | * | | 1 |
| 14 | 10714103 | CONNECTION LINK PIN A | | * | | 1 |
| 15 | RC0740811KP | C-RING | | * | | 2 |
| 16 | SD0800406TP | SHOULDER SCREW D=8 H=4 | | * | | 1 |
| 17 | 40112127 | BACKWARD_FEED_CONNECTING_ARM | | * | | 1 |
| 18 | 40129991 | REVERSE_FEED_LEVER_ASM. | | * | | 1 |
| 19 | 40125864 | REVERSE_FEED_LEVER_SPRING_HOOK | | * | | 1 |
| 20 | D2629M1YC0F | SPRING | | * | | 1 |
| 21 | 26229302 | SUSPENSION SCREW | | * | | 1 |
| 22 | NM6050001SD | NUT M5X0.8 | | * | | 1 |
| 23 | SM4050855SP | SCREW | | * | | 3 |
| 24 | SM6051400SP | SCREW | | * | | 1 |
| 25 | SM6051202TP | SCREW M5X0.8 L=12 | | * | | 1 |
| 26 | BT0400251EB | URETHANE HOSE BLACK | | * | | 1.8 |
| 27 | B3031141H00 | CONNECTING STUD | | * | | 2 |
| 28 | RE0320000K0 | E-RING 3.2 | | * | | 2 |
| 29 | PJ304040504 | ELBOW UNION | | * | | 1 |
| 30 | 18035501 | WIRE MARK (6) | | * | | 2 |
| 31 | 40112191 | KNUCKLE_JOINT_B | | * | | 1 |
| 32 | SM6061002TP | SCREW M6 L=10 | | * | | 1 |
| 33 | SM6061602TP | SCREW M6 L=16 | | * | | 1 |
| 34 | SM6054502TP | SCREW M5X0.8 L=45 | | * | | 2 |
| 35 | 40112192 | TERTICAL_CYLINDER_ARM | | * | | 1 |
| 36 | PA250250900 | AIR CYLINDER | | * | | 1 |
| 37 | B1504210000 | CONNECTING SHAFT | | * | | 1 |
| 38 | 40133979 | SOLENOID VALVE CABLE ASM. | | * | | 1 |
| 39 | 40130287 | 6RANGE SWITCH ASM | | * | | 1 |
| 40 | B3417051000 | REAR LIFTING BAR ROLLER | | * | | 1 |
| 41 | SM4050855SP | SCREW | | * | | 4 |
| 42 | D2112555B00 | CORD HOLDER LARGE | | * | | 3 |
| 43 | 40134805 | CABLE HOLDER | | * | | 1 |
| 44 | PV150209100 | SOLENOID VALVE | | * | | 2 |
| 45 | PJ020500002 | PLUG | | * | | 2 |
| 46 | PJ301040502 | HALF UNION 4XM5 | | * | | 2 |
| 47 | 40138933 | RELEASE LEVER PLATE B | | * | | 1 |

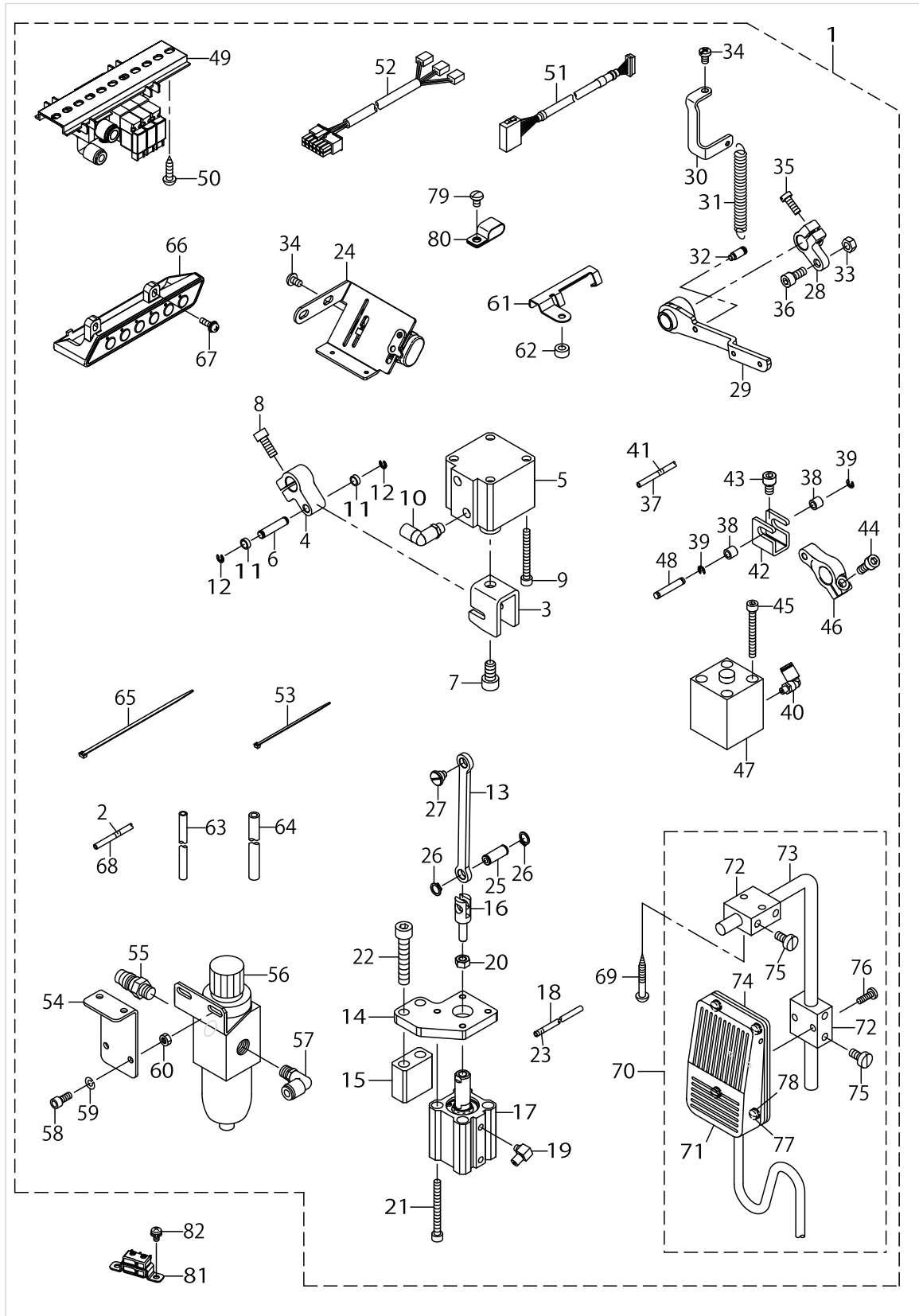
BT,DL KIT COMPONENTS (OPTIONAL PARTS)(FOR PLC-2765(WITH AK))



BT,DL KIT COMPONENTS (OPTIONAL PARTS)(FOR PLC-2765(WITH AK))

| No. | Parts No. | Parts name | Remarks | Level | Cons | Qty |
|-----|-------------|-------------------------------|---------|-------|------|-----|
| 48 | SM6041150TP | SCREW | | * | | 2 |
| 49 | 40138934 | SWICH COVER | | * | | 1 |
| 50 | SM4040501SN | SCREW M4X0.7 L=5 | | * | | 2 |
| 51 | SM4041201SC | SCREW M4 L=12 | | * | | 2 |
| 52 | WP0430801SC | WASHER M4 | | * | | 2 |
| 53 | 40130289 | VERTICAL_DETECTOR_SWITCH_ASM. | | * | | 1 |
| 54 | SL4040691SC | SCREW M4 L=6 | | * | | 2 |

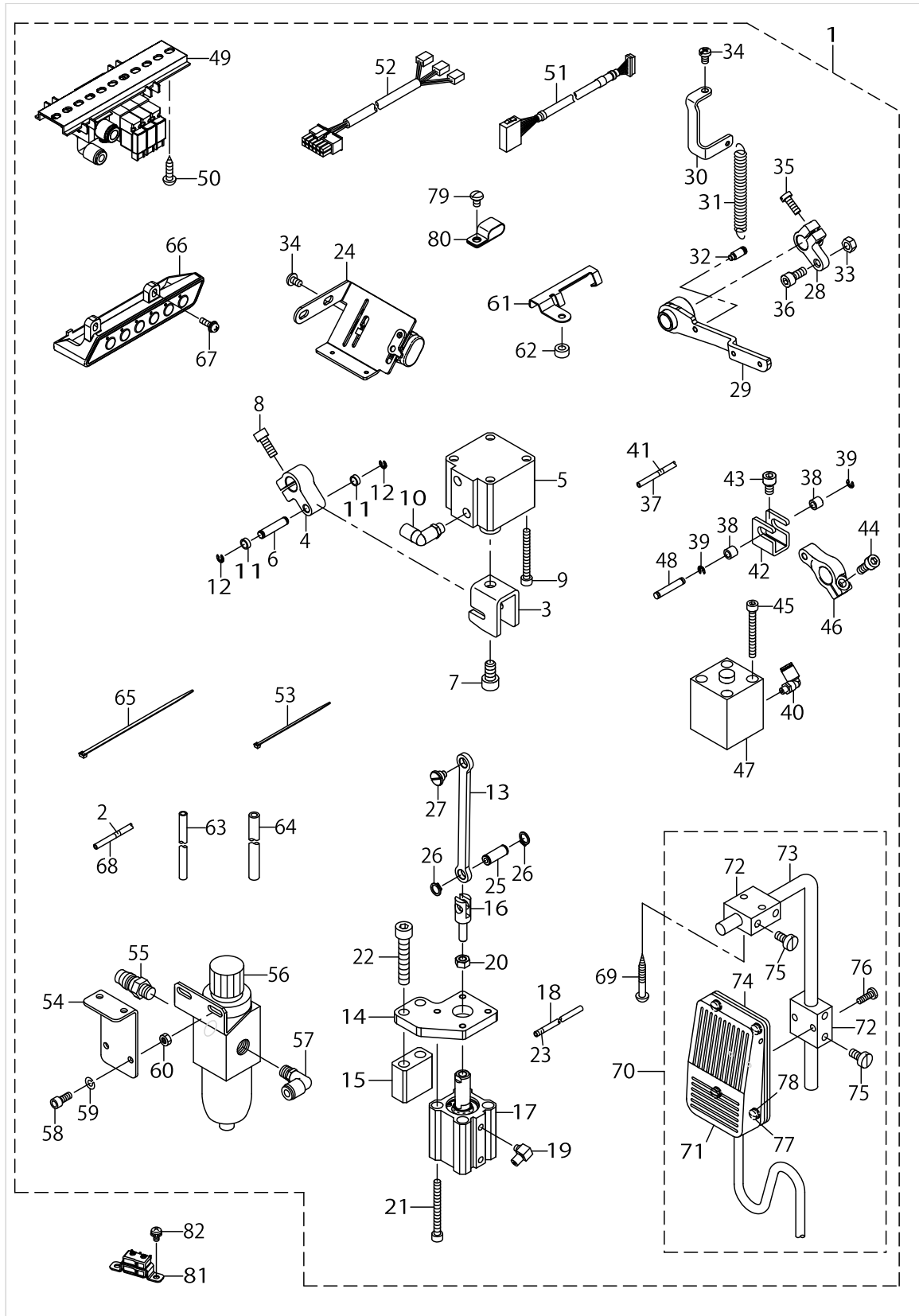
AK,BT,DL KIT COMPONENTS (OPTIONAL PARTS)(FOR PLC-2710,2760,2760L)



AK,BT,DL KIT COMPONENTS (OPTIONAL PARTS)(FOR PLC-2710,2760,2760L)

| No. | Parts No. | Parts name | Remarks | Level | Cons | Qty |
|-----|-------------|--------------------------------|---------|-------|------|-----|
| 1 | 40138573 | AK_BT_DL_KIT | | | | 1 |
| 2 | 18035907 | WIRE MARK (10) | | * | | 2 |
| 3 | 40112187 | KNUCKLE_JOINT_A | | * | | 1 |
| 4 | 40112188 | LIFTING_ARM | | * | | 1 |
| 5 | PA400150200 | AIR CYLINDER | | * | | 1 |
| 6 | 22949101 | ROLLER FULCRUM SHAFT | | * | | 1 |
| 7 | SM6081552TP | SCREW M8 L=15 | | * | | 1 |
| 8 | SM6061602TP | SCREW M6 L=16 | | * | | 1 |
| 9 | SM6054502TN | SCREW | | * | | 4 |
| 10 | PJ304045102 | ELBOW UNION C | | * | | 1 |
| 11 | 13951009 | PRESSER FOOT ROLLER | | * | | 2 |
| 12 | RE0400000K0 | E-RING 4 | | * | | 2 |
| 13 | 40130413 | BT_LINK | | * | | 1 |
| 14 | 40130024 | BT_CYLINDER_PLATE | | * | | 1 |
| 15 | 40130414 | BT_CYLINDER_BLOCK | | * | | 1 |
| 16 | 40052254 | CYLINDER KNUCKLE JOINT | | * | | 1 |
| 17 | PA250250900 | AIR CYLINDER | | * | | 1 |
| 18 | BT0400251EB | URETHANE HOSE BLACK | | * | | 1.8 |
| 19 | PJ046052503 | HOSE ELBOW | | * | | 1 |
| 20 | NM6060001CP | NUT M6 | | * | | 1 |
| 21 | SM6055002TP | SCREW M5 L=50 | | * | | 4 |
| 22 | SM6084502TP | SCREW | | * | | 2 |
| 23 | 18035709 | WIRE MARK (8) | | * | | 2 |
| 24 | 40130285 | TB_SWITCH_ASSY | | * | | 1 |
| 25 | 10714103 | CONNECTION LINK PIN A | | * | | 1 |
| 26 | RC0740811KP | C-RING | | * | | 2 |
| 27 | SD0800406TP | SHOULDER SCREW D=8 H=4 | | * | | 1 |
| 28 | 40112127 | BACKWARD_FEED_CONNECTING_ARM | | * | | 1 |
| 29 | 40129991 | REVERSE_FEED_LEVER_ASM. | | * | | 1 |
| 30 | 40125864 | REVERSE_FEED_LEVER_SPRING_HOOK | | * | | 1 |
| 31 | D2629M1YC0F | SPRING | | * | | 1 |
| 32 | 26229302 | SUSPENSION SCREW | | * | | 1 |
| 33 | NM6050001SD | NUT M5X0.8 | | * | | 1 |
| 34 | SM4050855SP | SCREW | | * | | 3 |
| 35 | SM6051400SP | SCREW | | * | | 1 |
| 36 | SM6051202TP | SCREW M5X0.8 L=12 | | * | | 1 |
| 37 | BT0400251EB | URETHANE HOSE BLACK | | * | | 1.8 |
| 38 | B3031141H00 | CONNECTING STUD | | * | | 2 |
| 39 | RE0320000K0 | E-RING 3.2 | | * | | 2 |
| 40 | PJ304040504 | ELBOW UNION | | * | | 1 |
| 41 | 18035501 | WIRE MARK (6) | | * | | 2 |
| 42 | 40112191 | KNUCKLE_JOINT_B | | * | | 1 |
| 43 | SM6061002TP | SCREW M6 L=10 | | * | | 1 |
| 44 | SM6061602TP | SCREW M6 L=16 | | * | | 1 |
| 45 | SM6054502TP | SCREW M5X0.8 L=45 | | * | | 2 |
| 46 | 40112192 | TERTICAL_CYLINDER_ARM | | * | | 1 |
| 47 | PA250250900 | AIR CYLINDER | | * | | 1 |

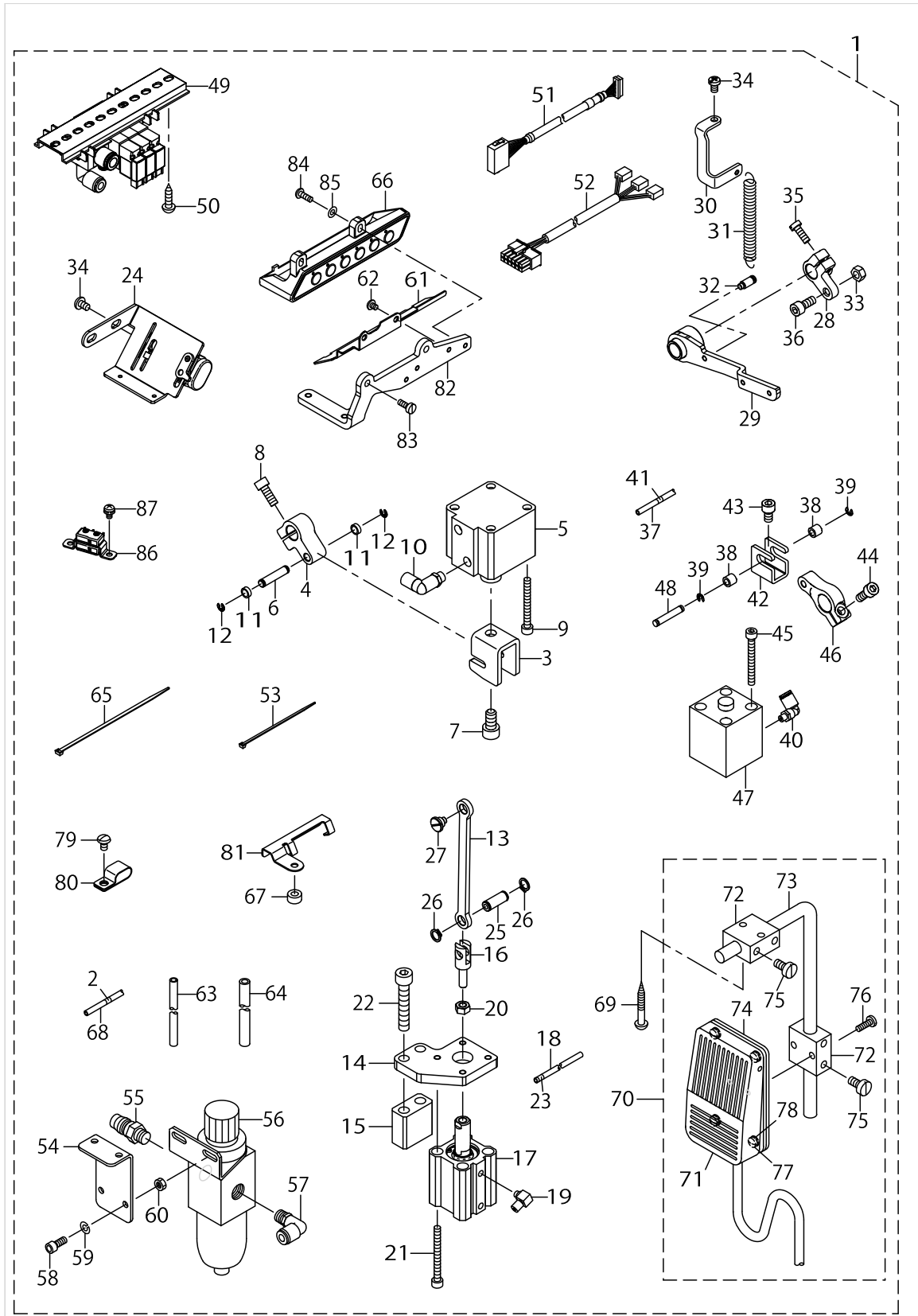
AK,BT,DL KIT COMPONENTS (OPTIONAL PARTS)(FOR PLC-2710,2760,2760L)



AK,BT,DL KIT COMPONENTS (OPTIONAL PARTS)(FOR PLC-2710,2760,2760L)

| No. | Parts No. | Parts name | Remarks | Level | Cons | Qty |
|-----|-------------|-------------------------------|-------------------|-------|------|-----|
| 48 | B1504210000 | CONNECTING SHAFT | | * | | 1 |
| 49 | 40133978 | SOLENOID VALVE ASM. | | * | | 1 |
| 50 | SK3482001SE | WOOD SCREW D=4.8 L=20 | | * | | 4 |
| 51 | 40133985 | AIR VALVE RELAY CABLE ASM. | | * | | 1 |
| 52 | 40133979 | SOLENOID VALVE CABLE ASM. | | * | | 1 |
| 53 | EA9500B0100 | CABLE BAND | | * | | 2 |
| 54 | 13860408 | REGULATOR BRACKET | | * | | 1 |
| 55 | PJ025100003 | PLUG | | * | | 1 |
| 56 | PF055107000 | FILTER REGULATOR | | * | | 1 |
| 57 | PJ304065101 | ELBOW UNION 6XPT1/8 | | * | | 1 |
| 58 | SM6051202TP | SCREW M5X0.8 L=12 | | * | | 2 |
| 59 | WS0510002KN | SPRING WASHER M5 | | * | | 2 |
| 60 | NM6050001SP | NUT M5 | | * | | 2 |
| 61 | 40134805 | CABLE HOLDER | | * | | 1 |
| 62 | B3417051000 | REAR LIFTING BAR ROLLER | | * | | 1 |
| 63 | BT0600401EB | TUBE | | * | | 1.1 |
| 64 | BT0800501EB | VINYL TUBE | | * | | 1.1 |
| 65 | EA9500B0200 | CABLE BAND 150 | | * | | 3 |
| 66 | 40130287 | 6RANGE SWITCH ASM. | | * | | 1 |
| 67 | SL4041491SC | SCREW 4X14 | | * | | 2 |
| 68 | BT0400251EB | URETHANE HOSE BLACK | | * | | 1.8 |
| 69 | SK3514000SC | WOOD SCREW D=5.1 L=40 | | * | | 2 |
| 70 | 40025036 | KNEE SWITCH ASM. | | * | | 1 |
| 71 | 40025035 | KNEE SWITCH ASM. | | * | | 1 |
| 72 | MAT80230T00 | KNEE SWITCH SUPPORT BASE | | * | | 2 |
| 73 | MAT80231T00 | DRIVING BAR T002 | | * | | 1 |
| 74 | MAT80232T00 | KNEE SWITCH SUPPORT PLATE | | * | | 1 |
| 75 | SS6151220SP | SCREW 15/64-28 L=11.5 | | * | | 4 |
| 76 | SS7111410SP | SCREW 11/64-40 L=14 | | * | | 2 |
| 77 | SS7110710SL | SCREW 11/64-40 L=7.0 | | * | | 4 |
| 78 | WP0480856SP | WASHER 4.8X8.4X0.8 | | * | | 4 |
| 79 | SM4050855SP | SCREW | | * | | 4 |
| 80 | D2112555B00 | CORD HOLDER LARGE | | * | | 3 |
| 81 | 40130289 | VERTICAL_DETECTOR_SWITCH_ASM. | FOR PLC-2710,2760 | | | 1 |
| 82 | SL4040691SC | SCREW M4 L=6 | FOR PLC-2710,2760 | | | 2 |

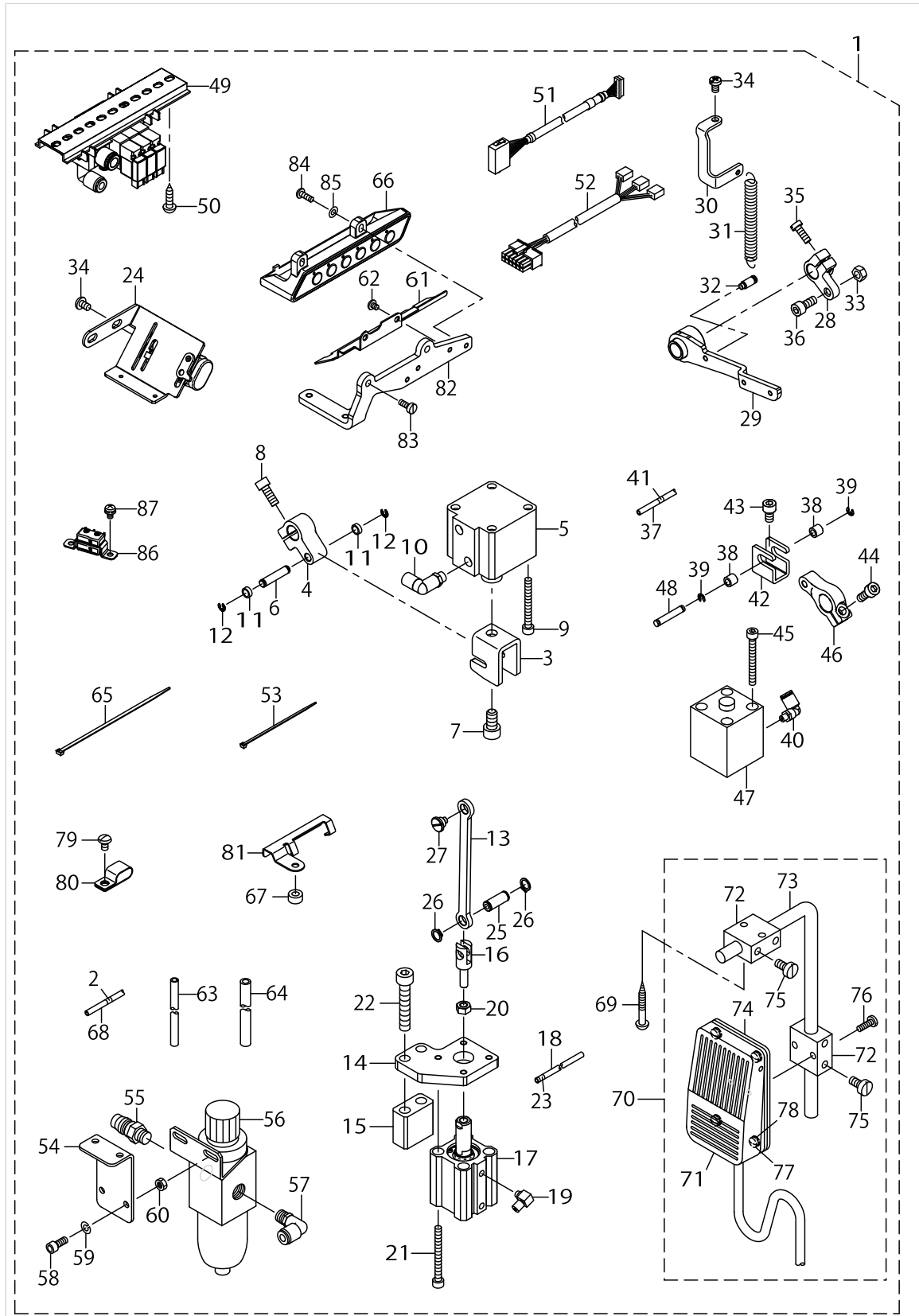
AK,BT,DL KIT COMPONENTS (OPTIONAL PARTS)(FOR PLC-2765)



AK,BT,DL KIT COMPONENTS (OPTIONAL PARTS)(FOR PLC-2765)

| No. | Parts No. | Parts name | Remarks | Level | Cons | Qty |
|-----|-------------|--------------------------------|---------|-------|------|-----|
| 1 | 40139587 | AK_BT_DL_KIT | | | | 1 |
| 2 | 18035907 | WIRE MARK (10) | | * | | 2 |
| 3 | 40112187 | KNUCKLE_JOINT_A | | * | | 1 |
| 4 | 40112188 | LIFTING_ARM | | * | | 1 |
| 5 | PA400150200 | AIR CYLINDER | | * | | 1 |
| 6 | 22949101 | ROLLER FULCRUM SHAFT | | * | | 1 |
| 7 | SM6081552TP | SCREW M8 L=15 | | * | | 1 |
| 8 | SM6061602TP | SCREW M6 L=16 | | * | | 1 |
| 9 | SM6054502TN | SCREW | | * | | 4 |
| 10 | PJ304045102 | ELBOW UNION C | | * | | 1 |
| 11 | 13951009 | PRESSER FOOT ROLLER | | * | | 2 |
| 12 | RE0400000K0 | E-RING 4 | | * | | 2 |
| 13 | 40130413 | BT_LINK | | * | | 1 |
| 14 | 40130024 | BT_CYLINDER_PLATE | | * | | 1 |
| 15 | 40130414 | BT_CYLINDER_BLOCK | | * | | 1 |
| 16 | 40052254 | CYLINDER KNUCKLE JOINT | | * | | 1 |
| 17 | PA250250900 | AIR CYLINDER | | * | | 1 |
| 18 | BT0400251EB | URETHANE HOSE BLACK | | * | | 1.3 |
| 19 | PJ046052503 | HOSE ELBOW | | * | | 1 |
| 20 | NM6060001CP | NUT M6 | | * | | 1 |
| 21 | SM6055002TP | SCREW M5 L=50 | | * | | 4 |
| 22 | SM6084502TP | SCREW | | * | | 2 |
| 23 | 18035709 | WIRE MARK (8) | | * | | 2 |
| 24 | 40130285 | TB_SWITCH_ASSY | | * | | 1 |
| 25 | 10714103 | CONNECTION LINK PIN A | | * | | 1 |
| 26 | RC0740811KP | C-RING | | * | | 2 |
| 27 | SD0800406TP | SHOULDER SCREW D=8 H=4 | | * | | 1 |
| 28 | 40112127 | BACKWARD_FEED_CONNECTING_ARM | | * | | 1 |
| 29 | 40129991 | REVERSE_FEED_LEVER_ASM | | * | | 1 |
| 30 | 40125864 | REVERSE_FEED_LEVER_SPRING_HOOK | | * | | 1 |
| 31 | D2629M1YC0F | SPRING | | * | | 1 |
| 32 | 26229302 | SUSPENSION SCREW | | * | | 1 |
| 33 | NM6050001SD | NUT M5X0.8 | | * | | 1 |
| 34 | SM4050855SP | SCREW | | * | | 3 |
| 35 | SM6051400SP | SCREW | | * | | 1 |
| 36 | SM6051202TP | SCREW M5X0.8 L=12 | | * | | 1 |
| 37 | BT0400251EB | URETHANE HOSE BLACK | | * | | 1.8 |
| 38 | B3031141H00 | CONNECTING STUD | | * | | 2 |
| 39 | RE0320000K0 | E-RING 3.2 | | * | | 2 |
| 40 | PJ304040504 | ELBOW UNION | | * | | 1 |
| 41 | 18035501 | WIRE MARK (6) | | * | | 2 |
| 42 | 40112191 | KNUCKLE_JOINT_B | | * | | 1 |
| 43 | SM6061002TP | SCREW M6 L=10 | | * | | 1 |
| 44 | SM6061602TP | SCREW M6 L=16 | | * | | 1 |
| 45 | SM6054502TP | SCREW M5X0.8 L=45 | | * | | 2 |
| 46 | 40112192 | TERTICAL_CYLINDER_ARM | | * | | 1 |
| 47 | PA250250900 | AIR CYLINDER | | * | | 1 |

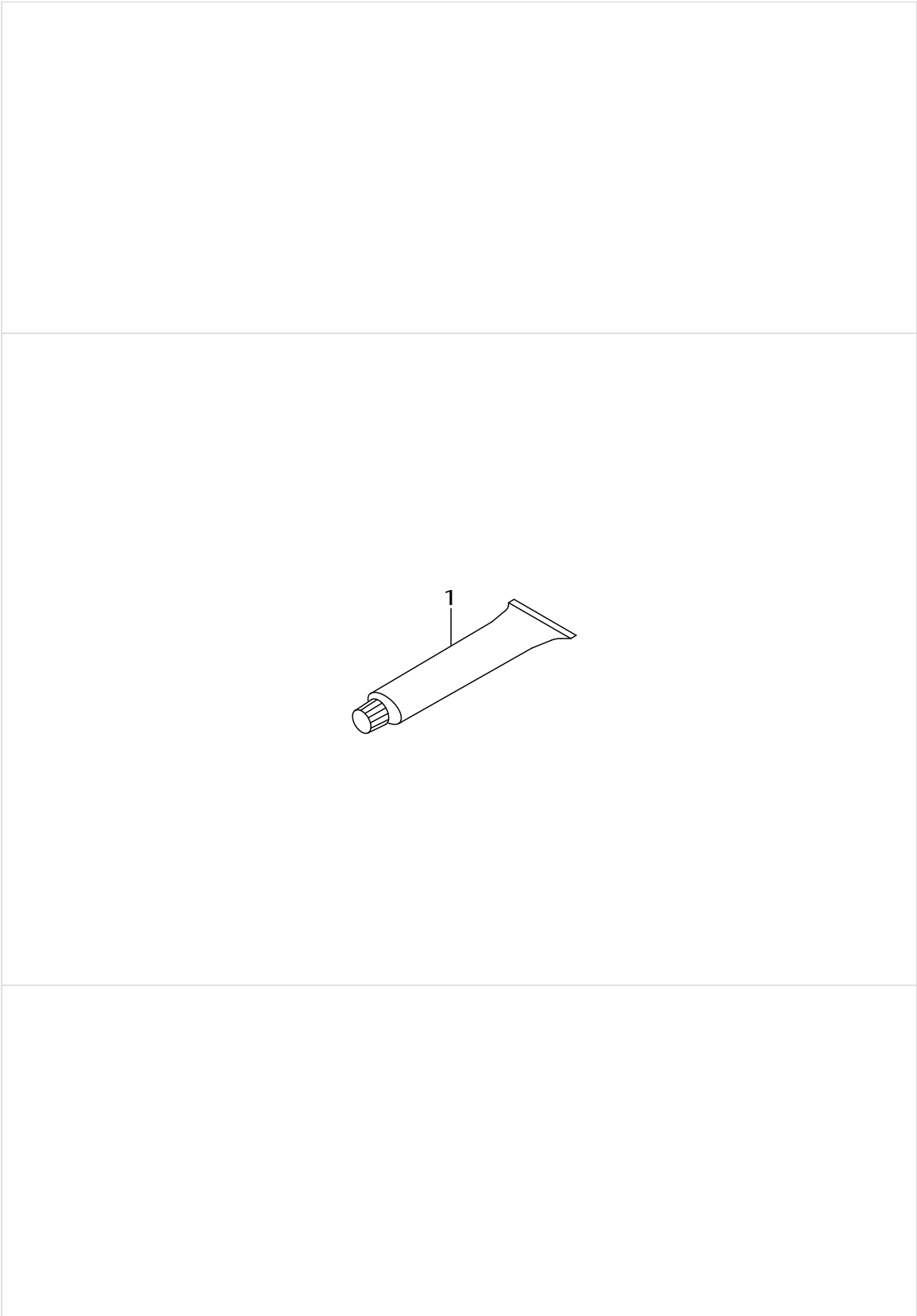
AK,BT,DL KIT COMPONENTS (OPTIONAL PARTS)(FOR PLC-2765)



AK,BT,DL KIT COMPONENTS (OPTIONAL PARTS)(FOR PLC-2765)

| No. | Parts No. | Parts name | Remarks | Level | Cons | Qty |
|-----|-------------|-------------------------------|---------|-------|------|-----|
| 48 | B1504210000 | CONNECTING SHAFT | | * | | 1 |
| 49 | 40133978 | SOLENOID VALVE ASM. | | * | | 1 |
| 50 | SK3482001SE | WOOD SCREW D=4.8 L=20 | | * | | 4 |
| 51 | 40133985 | AIR VALVE RELAY CABLE ASM. | | * | | 1 |
| 52 | 40133979 | SOLENOID VALVE CABLE ASM. | | * | | 1 |
| 53 | EA9500B0100 | CABLE BAND | | * | | 2 |
| 54 | 13860408 | REGULATOR BRACKET | | * | | 1 |
| 55 | PJ025100003 | PLUG | | * | | 1 |
| 56 | PF055107000 | FILTER REGULATOR | | * | | 1 |
| 57 | PJ304065101 | ELBOW UNION 6XPT1/8 | | * | | 1 |
| 58 | SM6051202TP | SCREW M5X0.8 L=12 | | * | | 2 |
| 59 | WS0510002KN | SPRING WASHER M5 | | * | | 2 |
| 60 | NM6050001SP | NUT M5 | | * | | 2 |
| 61 | 40138934 | SWICH COVER | | * | | 1 |
| 62 | SM4040501SN | SCREW M4X0.7 L=5 | | * | | 2 |
| 63 | BT0600401EB | TUBE | | * | | 1.1 |
| 64 | BT0800501EB | VINYL TUBE | | * | | 1.1 |
| 65 | EA9500B0200 | CABLE BAND 150 | | * | | 3 |
| 66 | 40130287 | 6RANGE SWITCH ASM. | | * | | 1 |
| 67 | B3417051000 | REAR LIFTING BAR ROLLER | | * | | 1 |
| 68 | BT0400251EB | URETHANE HOSE BLACK | | * | | 1.8 |
| 69 | SK3514000SC | WOOD SCREW D=5.1 L=40 | | * | | 2 |
| 70 | 40025036 | KNEE SWITCH ASM. | | * | | 1 |
| 71 | 40025035 | KNEE SWITCH ASM. | | * | | 1 |
| 72 | MAT80230T00 | KNEE SWITCH SUPPORT BASE | | * | | 2 |
| 73 | MAT80231T00 | DRIVING BAR T002 | | * | | 1 |
| 74 | MAT80232T00 | KNEE SWITCH SUPPORT PLATE | | * | | 1 |
| 75 | SS6151220SP | SCREW 15/64-28 L=11.5 | | * | | 4 |
| 76 | SS7111410SP | SCREW 11/64-40 L=14 | | * | | 2 |
| 77 | SS7110710SL | SCREW 11/64-40 L=7.0 | | * | | 4 |
| 78 | WP0480856SP | WASHER 4.8X8.4X0.8 | | * | | 4 |
| 79 | SM4050855SP | SCREW | | * | | 4 |
| 80 | D2112555B00 | CORD HOLDER LARGE | | * | | 3 |
| 81 | 40134805 | CABLE HOLDER | | * | | 1 |
| 82 | 40138933 | RELEASE LEVER PLATE B | | * | | 1 |
| 83 | SM6041150TP | SCREW | | * | | 2 |
| 84 | SM4041201SC | SCREW M4 L=12 | | * | | 2 |
| 85 | WP0430801SC | WASHER M4 | | * | | 2 |
| 86 | 40130289 | VERTICAL_DETECTOR_SWITCH_ASM. | | * | | 1 |
| 87 | SL4040691SC | SCREW M4 L=6 | | * | | 2 |

OPTIONAL PARTS



OPTIONAL PARTS

| No. | Parts No. | Parts name | Remarks | Level | Cons | Qty |
|-----|-----------|--------------------|---------|-------|------|-----|
| 1 | 40006323 | JUKI GREASE A TUBE | | | | 1 |

LIST FOR INFORMATION OF CHANGE(1)

As to the place changed, refer to the corresponding Rev.No.
 When previous parts(Obsoleted part)and new parts(Added parts)are
 not interchangeable with each other:
 In this case,even obsoleted parts(D.)can be ordered with the
 obsoleted part number,so select the parts with changed dates and
 place your orders.

変更箇所は、該当Rev.No.版をご参照ください。
 部品の互換性がない変更の場合は、削除された品番でも、ご注文できます。

No.1629-07 Rev.No.

*A:Added parts追加部品/D:Obsoleted parts削除部品/E:Erratum訂正

| * Rev. No. | Page 頁 | Ref. No. | Parts No. 品番 | * Rev. No. | Page 頁 | Ref. No. | Parts No. 品番 |
|------------|--------|----------|---------------|------------|--------|----------|---------------|
| | | | | A 07 | 2 | 48 | HX-0015000-0H |
| | | | | A 07 | 2 | 49 | SM-4040655-SP |
| | | | | A 07 | 2 | 50 | EA-9500B02-00 |
| | | | | A 07 | 2 | 51 | EA-9500B01-00 |
| | | | | A 07 | 2 | 52 | EA-9500B02-00 |
| | | | | A 07 | 2 | 53 | EA-9500B01-00 |
| | | | | A 07 | 2 | 54 | SM-4051255-SP |
| | | | | A 07 | 2 | 55 | B3417-051-000 |
| | | | | A 07 | 2 | 56 | D2112-555-B00 |
| D 06 | 4 | 24 | SB-1080019-00 | A 07 | 4 | 24 | SB-1080024-00 |
| D 06 | 4 | 56 | SB-3100003-00 | | | | |
| | | | | A 07 | 4 | 56 | SB-1200027-00 |
| | | | | A 07 | 4 | 57 | 236-05207 |
| | | | | A 07 | 4 | 58 | SM-80608A2-TP |
| | | | | A 07 | 4 | 59 | 400-10533 |
| D 06 | 6 | 6 | B1416-141-H00 | A 07 | 6 | 6 | 401-43221 |
| D 06 | 6 | 7 | B1401-246-000 | A 07 | 6 | 7 | 401-43220 |
| | | | | A 07 | 6 | 32 | SS-2060310-SP |
| D 06 | 10 | 10 | 213-87600 | A 07 | 10 | 10 | 401-44728 |
| | | | | A 07 | 10 | 86 | 401-43185 |
| | | | | A 07 | 10 | 87 | 401-43188 |
| | | | | A 07 | 10 | 88 | 401-43581 |
| D 06 | 14 | 3 | 401-38461 | | | | |
| D 06 | 14 | 10 | 400-79898 | A 07 | 14 | 10 | 401-84941 |
| D 06 | 16 | 41 | 401-23415 | | | | |
| D 06 | 16 | 42 | SM-8060552-TP | A 07 | 16 | 42 | SM-80608A2-TP |
| D 06 | 16 | 57 | RE-0400000-KO | A 07 | 16 | 57 | RE-0500000-KO |
| | | | | A 07 | 16 | 41 | SM-80608A2-TP |
| | | | | A 07 | 16 | 88 | WP-0651001-SC |
| | | | | A 07 | 16 | 89 | 401-45548 |
| | | | | A 07 | 16 | 90 | 401-45549 |
| | | | | A 07 | 16 | 91 | 401-45550 |
| | | | | A 07 | 17 | 26 | 400-86018 |
| | | | | A 07 | 17 | 27 | BT-0400251-EB |
| D 06 | 20 | 55 | 400-38494 | A 07 | 20 | 55 | 401-37780 |
| D 06 | 20 | 93 | 401-37780 | A 07 | 20 | 93 | 260-17400 |

LIST FOR INFOMATION OF CHANGE(2)

| * | Rev. No. | Page 頁 | Ref. No. | Parts No. 品番 | * | Rev. No. | Page 頁 | Ref. No. | Parts No. 品番 |
|---|----------|--------|----------|---------------|---|----------|--------|----------|---------------|
| | | | | | A | 07 | 22 | 95 | 401-29992 |
| | | | | | A | 07 | 22 | 96 | SM-8060612-TP |
| D | 06 | 23 | 9 | SM-6061602-TP | A | 07 | 23 | 9 | SM-3061652-TN |
| | | | | | A | 07 | 23 | 13 | BT-0400251-EB |
| | | | | | A | 07 | 24 | 25 | BT-0400251-EB |
| D | 06 | 28 | 65 | 401-37921 | A | 07 | 28 | 65 | 401-51263 |
| D | 06 | 28 | 66 | 401-37921 | A | 07 | 28 | 66 | 401-51263 |
| | | | | | A | 07 | 36 | 92 | WP-1051416-SD |
| | | | | | A | 07 | 36 | 93 | WP-0531000-SP |
| D | 06 | 37 | 1 | 235-42418 | A | 07 | 37 | 1 | 401-39345 |
| D | 06 | 40 | 19 | SM-5040655-SN | A | 07 | 40 | 19 | SM-6040860-TP |
| D | 06 | 40 | 22 | WP-0450826-SC | A | 07 | 40 | 22 | WP-0450801-SP |
| D | 06 | 40 | 26 | WP-0320501-SC | | | | | |
| | | | | | A | 07 | 40 | 26 | 400-11144 |
| | | | | | A | 07 | 40 | 27 | WS-0451040-KP |
| D | 06 | 42 | 85 | D2611-555-B00 | A | 07 | 42 | 85 | B3538-112-000 |
| D | 06 | 42 | 86 | D2611-555-B00 | A | 07 | 42 | 86 | B3538-112-000 |
| | | | | | A | 07 | 42 | 118 | 236-30007 |
| D | 06 | 44 | 1 | 401-11351 | A | 07 | 44 | 1 | 401-11352 |
| D | 06 | 48 | 1 | 400-25036 | A | 07 | 48 | 1 | 401-43553 |
| D | 06 | 48 | 29 | SK-3482500-SC | A | 07 | 48 | 10 | SK-3482501-SE |
| | | | | | A | 07 | 50 | 2 | 213-34800 |
| D | 06 | 50 | 10 | MDF-RX1600C0 | A | 07 | 50 | 10 | MML-007600CA |
| D | 06 | 50 | 14 | 401-26152 | A | 07 | 50 | 14 | 401-51800 |
| D | 06 | 50 | 17 | SK-3482500-SC | A | 07 | 50 | 17 | SK-3482501-SE |
| D | 06 | 50 | 23 | 229-26000 | A | 07 | 50 | 46 | 401-64521 |
| | | | | | A | 07 | 50 | 30 | 401-26222 |
| | | | | | A | 07 | 50 | 31 | SM-4050855-SP |
| | | | | | A | 07 | 50 | - | No.51~No.68 |
| D | 06 | 52 | 1 | B1418-141-H00 | A | 07 | 52 | 1 | 401-43221 |
| | | | | | | | | | |
| | | | | | | | | | |
| | | | | | | | | | |
| | | | | | | | | | |
| | | | | | | | | | |
| | | | | | | | | | |
| | | | | | | | | | |
| | | | | | | | | | |
| | | | | | | | | | |
| | | | | | | | | | |
| | | | | | | | | | |
| | | | | | | | | | |
| | | | | | | | | | |
| | | | | | | | | | |

HOW TO MAKE USE OF THIS PARTS LIST

1.Explanation of codes

1)"*"mark.....means this part is changed from the previous parts book.

As to the details of the change, refer to the "List for information of change".

2)"#01".....refer to "Note" explanation at bottom of page.

2.Codes on the "Qty" column

- Each numeral indicates the number of parts required.
- "0.1" and "2.5" indicate the length (in meters) of the respective parts.

3.Parentheses mean that the corresponding part is a subpart that constructs an assembly part.

4.Dotted lines on the Figures indicate assembly parts.

5.As to the parts with marks of "☆"(consumable parts) and "◎"(optional parts)on the respective parts, it is recommended to prepare spares.

1 ."注記"欄の記号説明

1) "*"印.....前回のパーツブックに比較して今回変更された部品を意味します。

変更内容は、"変更情報リスト"を参照してください。

2) "#01".....ページ下の"注記"の説明を参照してください。

2.数量欄の数字は、個数を表し、0.1、2.5等の数値は、長さ（単位メートル）を表します。

3.数量欄の（ ）は、組部品を構成している子部品であることを意味します。

4.イラストページの-----枠は、組構成であることを意味します。

5.リストページの"☆"（消耗部品）、"◎"（オプション部品）の印がついた部品は、予備を準備しておくことをお奨めします。

NUMERICAL INDEX OF PARTS

| PART NO | PAGE | REF. NO. | PART NO | PAGE | REF. NO. | PART NO | PAGE | REF. NO. |
|----------|------|----------|----------|------|----------|----------|------|----------|
| 10320109 | 62 | 25 | 13860408 | 90 | 27 | 22607907 | 10 | 21~28 |
| 10539906 | 92 | 41 | 13860408 | 108 | 18 | 22615702 | 70 | 63 |
| 10546901 | 6 | 37 | 13860408 | 120 | 54 | 22617609 | 64 | 11 |
| 10697506 | 62 | 14 | 13860408 | 124 | 54 | 22617609 | 68 | 11 |
| 10697506 | 64 | 4 | 13951009 | 28 | 22 | 22617708 | 64 | 12 |
| 10697506 | 68 | 4 | 13951009 | 108 | 11 | 22617708 | 68 | 12 |
| 10697605 | 64 | 3 | 13951009 | 118 | 11 | 22617807 | 62 | 16 |
| 10697605 | 68 | 3 | 13951009 | 122 | 11 | 22617807 | 64 | 13 |
| 10710804 | 24 | 3 | 18035006 | 44 | 85·86 | 22617807 | 68 | 13 |
| 10711653 | 96 | 5 | 18035105 | 44 | 85·86 | 22618201 | 62 | 7 |
| 10712552 | 96 | 6 | 18035303 | 60 | 19 | 22618201 | 64 | 14 |
| 10714103 | 34 | 42 | 18035501 | 46 | 6 | 22618201 | 68 | 14 |
| 10714103 | 48 | 22 | 18035501 | 110 | 30 | 22618300 | 64 | 15 |
| 10714103 | 110 | 14 | 18035501 | 114 | 30 | 22618300 | 68 | 15 |
| 10714103 | 114 | 14 | 18035501 | 118 | 41 | 22618706 | 62 | 24 |
| 10714103 | 118 | 25 | 18035501 | 122 | 41 | 22618706 | 64 | 16 |
| 10714103 | 122 | 25 | 18035709 | 48 | 12 | 22618706 | 68 | 16 |
| 10714608 | 34 | 46 | 18035709 | 110 | 12 | 22618805 | 64 | 17 |
| 10715704 | 40 | 62 | 18035709 | 114 | 12 | 22618805 | 68 | 17 |
| 10715704 | 42 | 62 | 18035709 | 118 | 23 | 22618904 | 64 | 18 |
| 10718906 | 34 | 2 | 18035709 | 122 | 23 | 22618904 | 68 | 18 |
| 10721504 | 6 | 23 | 18035907 | 28 | 13 | 22622401 | 92 | 65 |
| 10740900 | 92 | 54 | 18035907 | 108 | 2 | 22622401 | 104 | 5 |
| 10773000 | 80 | 56 | 18035907 | 118 | 2 | 22681407 | 12 | 22 |
| 10777407 | 92 | 43 | 18035907 | 122 | 2 | 22681506 | 12 | 23 |
| 10781557 | 100 | 80 | 18219105 | 18 | 32·33 | 22681712 | 12 | 16 |
| 10786903 | 100 | 85 | 21334800 | 18 | 1·2 | 22681803 | 12 | 45 |
| 11002904 | 12 | 33 | 21334800 | 90 | 1·2 | 22681951 | 12 | 39~44 |
| 12210803 | 82 | 112 | 21343108 | 88 | 8 | 22682058 | 12 | 39~44 |
| 12316907 | 82 | 116 | 21343157 | 88 | 2 | 22682157 | 12 | 39~44 |
| 12938304 | 62 | 17 | 21387709 | 14 | 11 | 22682256 | 12 | 39~44 |
| 12938304 | 64 | 7 | 21387808 | 14 | 12 | 22682355 | 12 | 39~44 |
| 12938304 | 68 | 7 | 21387907 | 14 | 13 | 22682504 | 12 | 37 |
| 13142609 | 80 | 59·117 | 21451406 | 10 | 7·8 | 22682702 | 12 | 15 |
| 13142609 | 82 | 59·117 | 21470505 | 56 | 51·52 | 22686000 | 12 | 29 |
| 13319405 | 54 | 33·34 | 22528509 | 62 | 40 | 22687503 | 70 | 57 |
| 13409107 | 28 | 10 | 22528509 | 66 | 54 | 22687701 | 70 | 53 |
| 13416508 | 54 | 10·11 | 22528509 | 68 | 47 | 22863203 | 88 | 15 |
| 13424502 | 40 | 31 | 22606206 | 10 | 21~28 | 22863252 | 88 | 14 |
| 13461504 | 54 | 35·36 | 22606305 | 10 | 21~28 | 22901805 | 2 | 8 |
| 13718507 | 76 | 16 | 22606404 | 10 | 21~28 | 22902506 | 2 | 18 |
| 13765607 | 78 | 13 | 22607600 | 10 | 21~28 | 22904106 | 36 | 57 |
| 13817408 | 62 | 18 | 22607709 | 10 | 21~28 | 22904155 | 26 | 52 |
| 13817408 | 64 | 6 | 22607709 | 12 | 32 | 22904155 | 36 | 56 |
| 13817408 | 68 | 6 | 22607808 | 10 | 21~28 | 22911804 | 40 | 61 |

NUMERICAL INDEX OF PARTS

| PART NO | PAGE | REF NO. | PART NO | PAGE | REF NO. | PART NO | PAGE | REF NO. |
|----------|------|---------|----------|------|---------|----------|------|---------|
| 22911804 | 42 | 61 | 22957203 | 54 | 6-7 | 26231902 | 56 | 91 |
| 22912257 | 62 | 1 | 22958300 | 90 | 6-7 | 26260109 | 76 | 2 |
| 22912257 | 64 | 47 | 22963409 | 62 | 33 | 26260307 | 76 | 3 |
| 22912257 | 70 | 86 | 22963409 | 64 | 38 | 26260406 | 76 | 4 |
| 22913008 | 26 | 75 | 22963409 | 68 | 39 | 26260505 | 76 | 6 |
| 22913008 | 34 | 5 | 23007503 | 18 | 8-9 | 26260802 | 76 | 8 |
| 22921308 | 76 | 33 | 23021355 | 100 | 71 | 26261008 | 76 | 9 |
| 22921407 | 62 | 23 | 23023856 | 100 | 70 | 26261503 | 76 | 11 |
| 22921407 | 64 | 33 | 23036304 | 36 | 49 | 32055501 | 72 | 6 |
| 22921407 | 68 | 33 | 23540305 | 80 | 48 | 40006323 | 126 | 1 |
| 22921407 | 76 | 32 | 23600505 | 2 | 30-31 | 40006716 | 28 | 2 |
| 22921506 | 62 | 20 | 23605207 | 6 | 57 | 40010533 | 8 | 59 |
| 22921506 | 64 | 25 | 23605207 | 8 | 57 | 40010534 | 8 | 60 |
| 22921506 | 68 | 25 | 23613409 | 40 | 23 | 40010535 | 8 | 61 |
| 22921506 | 76 | 29 | 23628357 | 78 | 35 | 40010709 | 10 | 1 |
| 22921704 | 76 | 30 | 23629306 | 82 | 103 | 40010709 | 12 | 1 |
| 22926208 | 92 | 58 | 23629306 | 90 | 13 | 40011144 | 76 | 26 |
| 22932107 | 32 | 11 | 23629405 | 80 | 90 | 40011902 | 6 | 31 |
| 22932156 | 32 | 10 | 23629504 | 80 | 53 | 40013595 | 78 | 43 |
| 22932404 | 88 | 19 | 23630007 | 40 | 13 | 40022407 | 80 | 50 |
| 22932453 | 88 | 18 | 23630007 | 78 | 118 | 40023568 | 10 | 2 |
| 22932800 | 92 | 50 | 23630007 | 80 | 118 | 40023568 | 12 | 2 |
| 22933105 | 90 | 4 | 23630007 | 82 | 118 | 40023627 | 24 | 19 |
| 22933204 | 90 | 5 | 23630106 | 78 | 110-111 | 40025035 | 108 | 36 |
| 22934202 | 88 | 5 | 23630106 | 80 | 110-111 | 40025035 | 120 | 71 |
| 22934301 | 88 | 6 | 23630106 | 82 | 110-111 | 40025035 | 124 | 71 |
| 22934400 | 88 | 4 | 23630403 | 78 | 40 | 40025036 | 108 | 30 |
| 22934509 | 88 | 3 | 23630502 | 78 | 41 | 40025036 | 120 | 70 |
| 22934707 | 88 | 20 | 23630601 | 78 | 93 | 40025036 | 124 | 70 |
| 22935308 | 78 | 11 | 23630601 | 80 | 93 | 40026457 | 92 | 32 |
| 22945703 | 62 | 32 | 23630650 | 78 | 38 | 40026818 | 8 | 46 |
| 22945703 | 64 | 37 | 23631708 | 48 | 16 | 40026920 | 92 | 61 |
| 22945703 | 68 | 38 | 23631807 | 48 | 17 | 40026920 | 104 | 1 |
| 22945802 | 62 | 35 | 23631906 | 48 | 18 | 40027770 | 92 | 49 |
| 22945802 | 64 | 42 | 23632102 | 48 | 14 | 40028556 | 70 | 59 |
| 22945802 | 68 | 43 | 23638406 | 52 | 2 | 40028641 | 70 | 62 |
| 22949101 | 28 | 17 | 23639503 | 32 | 23 | 40028668 | 12 | 38 |
| 22949101 | 108 | 6 | 26017400 | 36 | 93 | 40032147 | 12 | 7 |
| 22949101 | 118 | 6 | 26018705 | 36 | 84 | 40032327 | 70 | 58 |
| 22949101 | 122 | 6 | 26228304 | 34 | 28 | 40032804 | 78 | 29 |
| 22954309 | 62 | 2 | 26229302 | 42 | 53 | 40033825 | 40 | 24 |
| 22954309 | 66 | 48 | 26229302 | 110 | 21 | 40034674 | 2 | 13 |
| 22954309 | 70 | 87 | 26229302 | 114 | 21 | 40034675 | 2 | 12 |
| 22956205 | 54 | 2-3 | 26229302 | 118 | 32 | 40036167 | 78 | 36 |
| 22957104 | 54 | 4-5 | 26229302 | 122 | 32 | 40038494 | 24 | 35 |

NUMERICAL INDEX OF PARTS

| PART NO | PAGE | REF NO. | PART NO | PAGE | REF NO. | PART NO | PAGE | REF NO. |
|----------|------|---------|----------|------|---------|----------|------|---------|
| 40038772 | 100 | 72 | 40085784 | 84 | 2 | 40106579 | 86 | 11 |
| 40038774 | 100 | 69 | 40085784 | 86 | 12 | 40106580 | 86 | 9 |
| 40038776 | 100 | 66 | 40085785 | 84 | 3 | 40106582 | 86 | 8 |
| 40038778 | 100 | 65 | 40085785 | 86 | 6 | 40106584 | 86 | 1 |
| 40038794 | 100 | 87 | 40085786 | 84 | 4 | 40111350 | 84 | 25 |
| 40038799 | 100 | 86 | 40085786 | 86 | 17 | 40111352 | 84 | 1 |
| 40038802 | 100 | 84 | 40085787 | 84 | 5 | 40112087 | 6 | 1·19 |
| 40038806 | 100 | 83 | 40085787 | 86 | 2 | 40112088 | 6 | 1·19 |
| 40038808 | 100 | 82 | 40085788 | 84 | 6 | 40112091 | 6 | 27 |
| 40038810 | 100 | 81 | 40085788 | 86 | 16 | 40112092 | 6 | 28 |
| 40038848 | 102 | 97 | 40085789 | 84 | 7 | 40112093 | 6 | 29 |
| 40038850 | 100 | 96 | 40085789 | 86 | 15 | 40112094 | 6 | 30 |
| 40038850 | 102 | 96 | 40085790 | 84 | 8 | 40112098 | 34 | 11 |
| 40038852 | 100 | 93 | 40085790 | 86 | 14 | 40112106 | 6 | 5 |
| 40038854 | 100 | 90 | 40085791 | 84 | 9 | 40112118 | 34 | 18 |
| 40039271 | 102 | 95 | 40085791 | 86 | 13 | 40112127 | 32 | 9 |
| 40039629 | 12 | 36 | 40085792 | 84 | 10 | 40112127 | 42 | 49 |
| 40042716 | 2 | 14 | 40085792 | 86 | 7 | 40112127 | 110 | 17 |
| 40052254 | 48 | 4 | 40085793 | 84 | 11 | 40112127 | 114 | 17 |
| 40052254 | 110 | 5 | 40085793 | 86 | 5 | 40112127 | 118 | 28 |
| 40052254 | 114 | 5 | 40085794 | 84 | 12 | 40112127 | 122 | 28 |
| 40052254 | 118 | 16 | 40085794 | 86 | 4 | 40112137 | 60 | 2 |
| 40052254 | 122 | 16 | 40085795 | 84 | 13 | 40112138 | 60 | 3 |
| 40061164 | 100 | 88 | 40085795 | 86 | 3 | 40112140 | 60 | 5 |
| 40061806 | 100 | 89 | 40085796 | 84 | 16 | 40112149 | 60 | 6 |
| 40062041 | 100 | 68 | 40085796 | 86 | 20 | 40112152 | 10 | 11 |
| 40062043 | 100 | 67 | 40086018 | 30 | 26 | 40112152 | 12 | 8 |
| 40067204 | 100 | 92 | 40086018 | 40 | 32 | 40112176 | 24 | 5 |
| 40075542 | 20 | 41 | 40086679 | 72 | 15 | 40112184 | 28 | 3 |
| 40075547 | 20 | 46 | 40088958 | 76 | 28 | 40112187 | 28 | 14 |
| 40075548 | 20 | 45 | 40088959 | 76 | 31 | 40112187 | 108 | 3 |
| 40077931 | 42 | 74 | 40090058 | 24 | 17 | 40112187 | 118 | 3 |
| 40079298 | 92 | 44 | 40095222 | 12 | 24 | 40112187 | 122 | 3 |
| 40079896 | 20 | 31 | 40096325 | 84 | 14 | 40112188 | 28 | 15 |
| 40079899 | 20 | 12·13 | 40096325 | 86 | 21 | 40112188 | 108 | 4 |
| 40079900 | 20 | 14·15 | 40096326 | 84 | 17 | 40112188 | 118 | 4 |
| 40079901 | 20 | 16 | 40096326 | 86 | 19 | 40112188 | 122 | 4 |
| 40079902 | 20 | 37 | 40096327 | 84 | 19 | 40112191 | 46 | 7 |
| 40079903 | 20 | 38 | 40096327 | 86 | 18 | 40112191 | 110 | 31 |
| 40079904 | 20 | 39 | 40101719 | 80 | 92 | 40112191 | 114 | 31 |
| 40079905 | 20 | 40 | 40101721 | 78 | 47 | 40112191 | 118 | 42 |
| 40079909 | 20 | 42 | 40102261 | 2 | 5 | 40112191 | 122 | 42 |
| 40079912 | 20 | 28 | 40105510 | 50 | 2 | 40112192 | 46 | 11 |
| 40082078 | 32 | 17 | 40106576 | 86 | 10 | 40112192 | 110 | 35 |
| 40084142 | 2 | 24 | 40106579 | 84 | 26 | 40112192 | 114 | 35 |

NUMERICAL INDEX OF PARTS

| PART NO | PAGE | REF NO. | PART NO | PAGE | REF NO. | PART NO | PAGE | REF NO. |
|----------|------|---------|----------|------|---------|----------|------|---------|
| 40112192 | 118 | 46 | 40123555 | 24 | 40 | 40126155 | 88 | 21 |
| 40112192 | 122 | 46 | 40123626 | 34 | 14 | 40126157 | 26 | 69 |
| 40112197 | 24 | 47 | 40123627 | 34 | 33·98 | 40126158 | 26 | 70 |
| 40112199 | 26 | 48 | 40123634 | 24 | 20 | 40126159 | 26 | 68 |
| 40112204 | 62 | 9 | 40123634 | 34 | 19 | 40126160 | 24 | 31 |
| 40112204 | 64 | 19 | 40123639 | 34 | 35 | 40126163 | 34 | 9 |
| 40112204 | 68 | 19 | 40123667 | 34 | 4 | 40126166 | 24 | 12 |
| 40112213 | 48 | 15 | 40125843 | 34 | 13 | 40126221 | 2 | 33 |
| 40112214 | 106 | 2 | 40125844 | 76 | 25 | 40126222 | 90 | 28·30 |
| 40112215 | 50 | 3 | 40125850 | 26 | 50 | 40126222 | 92 | 28·30 |
| 40112216 | 50 | 5 | 40125851 | 76 | 7 | 40126222 | 104 | 8 |
| 40112218 | 62 | 10 | 40125852 | 24 | 8 | 40126223 | 24 | 34 |
| 40112218 | 64 | 20 | 40125854 | 24 | 9 | 40126244 | 6 | 8 |
| 40112218 | 68 | 20 | 40125856 | 34 | 22 | 40126259 | 52 | 4 |
| 40112219 | 62 | 11 | 40125857 | 34 | 34 | 40126263 | 72 | 3 |
| 40112219 | 64 | 21 | 40125858 | 42 | 64 | 40126264 | 24 | 37 |
| 40112219 | 68 | 21 | 40125861 | 24 | 2 | 40126265 | 62 | 3 |
| 40112228 | 60 | 9 | 40125862 | 14 | 14 | 40126265 | 66 | 50 |
| 40112234 | 54 | 20·21 | 40125864 | 42 | 51 | 40126265 | 70 | 88 |
| 40112235 | 54 | 22·23 | 40125864 | 110 | 19 | 40126267 | 90 | 12 |
| 40112240 | 14 | 7 | 40125864 | 114 | 19 | 40126269 | 24 | 36 |
| 40112242 | 16 | 58·59 | 40125864 | 118 | 30 | 40126270 | 32 | 1 |
| 40112253 | 14 | 27 | 40125864 | 122 | 30 | 40126271 | 32 | 2 |
| 40112270 | 10 | 17 | 40125867 | 24 | 22 | 40126273 | 32 | 7 |
| 40112272 | 10 | 18 | 40125868 | 24 | 44 | 40126274 | 32 | 8 |
| 40112273 | 10 | 13 | 40125872 | 60 | 4 | 40126311 | 76 | 14 |
| 40112277 | 2 | 41 | 40125873 | 62 | 4 | 40126321 | 6 | 9 |
| 40112299 | 6 | 20 | 40125873 | 66 | 51 | 40126338 | 24 | 33 |
| 40112312 | 6 | 3 | 40125873 | 70 | 89 | 40126339 | 34 | 37 |
| 40112320 | 78 | 1 | 40125876 | 26 | 71 | 40126354 | 76 | 10 |
| 40113224 | 14 | 19 | 40125926 | 24 | 46 | 40126355 | 76 | 1 |
| 40117425 | 12 | 39~44 | 40125927 | 76 | 13 | 40126356 | 32 | 3 |
| 40123247 | 14 | 4 | 40125928 | 76 | 24 | 40126359 | 36 | 88 |
| 40123248 | 54 | 31·32 | 40125930 | 6 | 32 | 40126363 | 40 | 1 |
| 40123252 | 34 | 38 | 40125935 | 36 | 87 | 40126364 | 28 | 6 |
| 40123262 | 24 | 28 | 40125937 | 24 | 11 | 40126366 | 14 | 15 |
| 40123319 | 24 | 27 | 40125939 | 6 | 35·36 | 40126367 | 28 | 1 |
| 40123320 | 24 | 29 | 40125943 | 24 | 18 | 40126372 | 16 | 56·57 |
| 40123321 | 24 | 30 | 40125948 | 72 | 2 | 40126374 | 24 | 45 |
| 40123332 | 34 | 36 | 40125949 | 72 | 4 | 40126375 | 34 | 21 |
| 40123345 | 26 | 72 | 40125950 | 6 | 6 | 40126386 | 34 | 6 |
| 40123345 | 36 | 89 | 40126116 | 40 | 15 | 40126390 | 24 | 32 |
| 40123414 | 24 | 39 | 40126127 | 74 | 11 | 40126399 | 20 | 1·2 |
| 40123416 | 24 | 38 | 40126150 | 28 | 4 | 40126400 | 26 | 49 |
| 40123547 | 34 | 16 | 40126151 | 34 | 15 | 40126401 | 34 | 39 |

NUMERICAL INDEX OF PARTS

| PART NO | PAGE | REF NO. | PART NO | PAGE | REF NO. | PART NO | PAGE | REF NO. |
|----------|------|---------|----------|------|-----------|----------|------|---------|
| 40126404 | 62 | 12 | 40130006 | 40 | 88 | 40130055 | 54 | 29·30 |
| 40126405 | 90 | 11 | 40130006 | 44 | 88 | 40130056 | 54 | 27·28 |
| 40126454 | 14 | 28 | 40130007 | 34 | 23 | 40130057 | 54 | 8·9 |
| 40126455 | 16 | 62 | 40130009 | 34 | 32 | 40130058 | 54 | 43·44 |
| 40126549 | 76 | 23 | 40130010 | 34 | 8 | 40130059 | 54 | 24·94 |
| 40126550 | 76 | 12 | 40130011 | 34 | 7 | 40130060 | 56 | 24·94 |
| 40126557 | 64 | 22 | 40130012 | 34 | 41 | 40130061 | 96 | 4 |
| 40126562 | 72 | 14 | 40130013 | 34 | 1 | 40130062 | 100 | 55 |
| 40126563 | 72 | 13 | 40130014 | 36 | 51·95 | 40130063 | 100 | 54 |
| 40126582 | 80 | 54 | 40130015 | 38 | 51·95 | 40130064 | 98 | 44 |
| 40126594 | 76 | 5 | 40130016 | 34 | 44 | 40130065 | 98 | 32 |
| 40126642 | 42 | 66 | 40130017 | 34 | 45 | 40130066 | 98 | 31 |
| 40126643 | 42 | 68 | 40130018 | 36 | 48 | 40130067 | 96 | 3 |
| 40126724 | 62 | 13 | 40130019 | 32 | 6 | 40130068 | 96 | 2 |
| 40126724 | 64 | 23 | 40130020 | 6 | 10 | 40130277 | 6 | 4 |
| 40126724 | 68 | 23 | 40130021 | 6 | 38 | 40130283 | 74 | 5 |
| 40127041 | 10 | 9 | 40130022 | 6 | 39 | 40130284 | 74 | 4 |
| 40127041 | 12 | 10 | 40130024 | 48 | 2 | 40130285 | 48 | 13 |
| 40127049 | 6 | 33·34 | 40130024 | 110 | 3 | 40130285 | 110 | 13 |
| 40129975 | 2 | 27 | 40130024 | 114 | 3 | 40130285 | 114 | 13 |
| 40129977 | 2 | 1 | 40130024 | 118 | 14 | 40130285 | 118 | 24 |
| 40129979 | 96 | 7 | 40130024 | 122 | 14 | 40130285 | 122 | 24 |
| 40129982 | 2 | 47 | 40130027 | 18 | 6·16·17 | 40130286 | 48 | 20 |
| 40129982 | 4 | 47 | 40130028 | 18 | 22·23 | 40130287 | 50 | 1 |
| 40129982 | 100 | 78 | 40130030 | 18 | 28·29 | 40130287 | 110 | 39 |
| 40129983 | 2 | 37 | 40130031 | 18 | 18·19 | 40130287 | 114 | 39 |
| 40129984 | 40 | 3 | 40130034 | 20 | 1·2 | 40130287 | 120 | 66 |
| 40129985 | 42 | 65 | 40130035 | 14 | 31·32 | 40130287 | 124 | 66 |
| 40129986 | 40 | 2 | 40130036 | 14 | 42·43 | 40130288 | 50 | 4 |
| 40129988 | 40 | 4 | 40130037 | 78 | 27 | 40130289 | 52 | 1 |
| 40129991 | 42 | 50 | 40130038 | 78 | 15·97 | 40130289 | 112 | 48 |
| 40129991 | 110 | 18 | 40130039 | 78 | 17 | 40130289 | 116 | 53 |
| 40129991 | 114 | 18 | 40130040 | 18 | 4·5·14·1- | 40130289 | 120 | 81 |
| 40129991 | 118 | 29 | | | 5·43 | 40130289 | 124 | 86 |
| 40129991 | 122 | 29 | 40130041 | 14 | 1 | 40130290 | 52 | 5 |
| 40129992 | 44 | 95 | 40130042 | 14 | 24 | 40130291 | 72 | 11 |
| 40129995 | 2 | 25 | 40130043 | 14 | 25·26 | 40130409 | 34 | 25 |
| 40129999 | 42 | 67 | 40130044 | 14 | 25·26 | 40130412 | 40 | 39 |
| 40130001 | 40 | 17 | 40130048 | 18 | 12·13 | 40130413 | 48 | 1 |
| 40130003 | 40 | 70 | 40130049 | 54 | 14·15 | 40130413 | 110 | 2 |
| 40130003 | 42 | 70 | 40130050 | 54 | 25·26 | 40130413 | 114 | 2 |
| 40130004 | 40 | 69 | 40130051 | 54 | 12·13 | 40130413 | 118 | 13 |
| 40130004 | 42 | 69 | 40130052 | 54 | 37·38 | 40130413 | 122 | 13 |
| 40130005 | 40 | 71 | 40130053 | 54 | 39·40 | 40130414 | 48 | 3 |
| 40130005 | 42 | 71 | 40130054 | 54 | 41·42 | 40130414 | 110 | 4 |

NUMERICAL INDEX OF PARTS

| PART NO | PAGE | REF. NO. | PART NO | PAGE | REF. NO. | PART NO | PAGE | REF. NO. |
|----------|------|----------|----------|------|----------|----------|------|---------------|
| 40130414 | 114 | 4 | 40131887 | 42 | 46 | 40134795 | 20 | 27 |
| 40130414 | 118 | 15 | 40131952 | 34 | 24 | 40134805 | 2 | 29 |
| 40130414 | 122 | 15 | 40131954 | 34 | 40 | 40134805 | 110 | 43 |
| 40130593 | 56 | 57-58 | 40132118 | 40 | 78 | 40134805 | 114 | 43 |
| 40130620 | 56 | 61-62 | 40132118 | 42 | 78 | 40134805 | 120 | 61 |
| 40130702 | 6 | 2 | 40133301 | 90 | 3 | 40134805 | 124 | 81 |
| 40130704 | 2 | 43 | 40133503 | 54 | 18-19 | 40134834 | 2 | 30-31 |
| 40130705 | 2 | 44 | 40133595 | 80 | 80-81 | 40134959 | 40 | 35 |
| 40130706 | 2 | 45 | 40133612 | 60 | 1 | 40135153 | 88 | 13 |
| 40130819 | 44 | 87 | 40133655 | 60 | 7 | 40135506 | 92 | 63 |
| 40130820 | 40 | 89 | 40133718 | 18 | 38-39 | 40135506 | 104 | 3 |
| 40130820 | 44 | 89 | 40133730 | 92 | 34 | 40135507 | 92 | 62 |
| 40130907 | 100 | 52 | 40133762 | 80 | 78-79 | 40135507 | 104 | 2 |
| 40130908 | 98 | 43 | 40133826 | 40 | 38 | 40136296 | 10 | 14 |
| 40130909 | 88 | 9 | 40133882 | 16 | 52 | 40137517 | 82 | 98 |
| 40130925 | 100 | 49 | 40133883 | 16 | 53 | 40137553 | 34 | 17 |
| 40130926 | 100 | 58 | 40133922 | 80 | 87 | 40137554 | 36 | 90 |
| 40130927 | 98 | 42 | 40133978 | 92 | 36 | 40137612 | 44 | 93 |
| 40130928 | 98 | 45 | 40133978 | 120 | 49 | 40137613 | 40 | 94 |
| 40131014 | 90 | 16 | 40133978 | 124 | 49 | 40137613 | 44 | 94 |
| 40131015 | 90 | 15 | 40133979 | 92 | 48 | 40137779 | 36 | 92 |
| 40131016 | 98 | 29 | 40133979 | 110 | 38 | 40137780 | 36 | 55 |
| 40131017 | 98 | 26 | 40133979 | 114 | 38 | 40137780 | 40 | 36 |
| 40131018 | 98 | 35 | 40133979 | 120 | 52 | 40137802 | 58 | 96-97 |
| 40131642 | 8 | 47 | 40133979 | 124 | 52 | 40137803 | 58 | 98-99 |
| 40131643 | 8 | 48 | 40133982 | 92 | 35 | 40137885 | 82 | 15-97 |
| 40131644 | 12 | 11 | 40133982 | 108 | 13 | 40137886 | 18 | 4-5-14-1-5-43 |
| 40131645 | 8 | 50 | 40133983 | 92 | 40 | 40137923 | 18 | 6-16-17 |
| 40131646 | 8 | 52 | 40133983 | 108 | 16 | 40137930 | 18 | 3-7-42 |
| 40131649 | 12 | 12 | 40133985 | 92 | 47 | 40137999 | 58 | 100-101 |
| 40131651 | 12 | 13 | 40133985 | 108 | 15 | 40138044 | 54 | 1-95 |
| 40131653 | 12 | 34 | 40133985 | 120 | 51 | 40138044 | 58 | 1-95 |
| 40131654 | 12 | 18 | 40133985 | 124 | 51 | 40138418 | 16 | 75~88 |
| 40131655 | 12 | 21 | 40134017 | 102 | 100 | 40138419 | 16 | 75~88 |
| 40131656 | 12 | 30 | 40134018 | 102 | 101 | 40138420 | 16 | 75~88 |
| 40131657 | 70 | 49 | 40134019 | 102 | 102 | 40138421 | 16 | 75~88 |
| 40131658 | 70 | 50 | 40134020 | 102 | 103 | 40138422 | 16 | 75~88 |
| 40131659 | 70 | 54 | 40134097 | 96 | 9 | 40138423 | 16 | 75~88 |
| 40131660 | 70 | 67 | 40134098 | 96 | 8 | 40138477 | 70 | 66 |
| 40131662 | 70 | 70 | 40134105 | 40 | 12 | 40138482 | 8 | 51 |
| 40131663 | 70 | 72 | 40134528 | 40 | 5 | 40138484 | 68 | 10 |
| 40131664 | 70 | 75 | 40134531 | 18 | 3-7-42 | 40138572 | 108 | 1 |
| 40131665 | 70 | 74 | 40134532 | 6 | 35-36 | 40138573 | 118 | 1 |
| 40131666 | 70 | 76 | 40134534 | 38 | 33-98 | 40138640 | 12 | 9 |
| 40131668 | 68 | 22 | 40134545 | 6 | 33-34 | | | |

NUMERICAL INDEX OF PARTS

| PART NO | PAGE | REF. NO. | PART NO | PAGE | REF. NO. | PART NO | PAGE | REF. NO. |
|----------|------|-------------------|----------|------|----------|----------|------|----------|
| 40138898 | 110 | 1 | 40148038 | 20 | 44 | 40163914 | 92 | 51 |
| 40138933 | 70 | 81 | 40148039 | 20 | 4·5 | 40164521 | 92 | 46 |
| 40138933 | 114 | 47 | 40148041 | 20 | 6·7 | 40164656 | 100 | 48 |
| 40138933 | 124 | 82 | 40148042 | 20 | 30 | 40164657 | 98 | 41 |
| 40138934 | 70 | 83 | 40148043 | 20 | 33 | 40164675 | 102 | 99 |
| 40138934 | 116 | 49 | 40148044 | 20 | 36 | 40171198 | 98 | 1 |
| 40138934 | 124 | 61 | 40148045 | 20 | 47 | 40171199 | 98 | 2 |
| 40139001 | 88 | 12 | 40148046 | 22 | 48 | 40171200 | 98 | 3 |
| 40139042 | 16 | 54·55 | 40148047 | 22 | 49 | 40171201 | 98 | 4 |
| 40139345 | 72 | 1 | 40149115 | 26 | 76~79 | 40171202 | 98 | 5 |
| 40139455 | 40 | 14 | 40149116 | 26 | 76~79 | 40171203 | 98 | 6 |
| 40139455 | 56 | 93 | 40149117 | 26 | 76~79 | 40171204 | 98 | 7 |
| 40139586 | 114 | 1 | 40149118 | 26 | 76~79 | 40171205 | 98 | 8 |
| 40139587 | 122 | 1 | 40149120 | 26 | 84~87 | 40171206 | 98 | 9 |
| 40141066 | 18 | 4·5·14·1- 5·43 | 40149121 | 26 | 84~87 | 40171207 | 98 | 10 |
| 40141331 | 12 | 6 | 40149122 | 26 | 84~87 | 40171208 | 98 | 11 |
| 40143185 | 16 | 75~88 | 40149123 | 26 | 84~87 | 40171210 | 98 | 12 |
| 40143188 | 16 | 75~88 | 40149125 | 26 | 80~83 | 40171212 | 98 | 13 |
| 40143220 | 10 | 7·8 | 40149126 | 26 | 80~83 | 40171222 | 98 | 14 |
| 40143221 | 10 | 6 | 40149127 | 26 | 80~83 | 40171228 | 98 | 15 |
| 40143221 | 96 | 1 | 40149128 | 26 | 80~83 | 40171229 | 98 | 16 |
| 40143553 | 88 | 1 | 40151263 | 56 | 65·66 | 40171230 | 98 | 17 |
| 40143581 | 16 | 75~88 | 40151791 | 76 | 15 | 40171231 | 98 | 18 |
| 40144283 | 28 | 5 | 40151800 | 90 | 14 | 40171232 | 98 | 19 |
| 40144287 | 24 | 4 | 40151803 | 92 | 55 | 40171233 | 98 | 20 |
| 40144289 | 24 | 1 | 40151804 | 92 | 56 | 40171234 | 98 | 21 |
| 40144367 | 100 | 63 | 40151805 | 92 | 57 | 40171235 | 98 | 22 |
| 40144369 | 100 | 64 | 40152022 | 76 | 36 | 40171236 | 98 | 23 |
| 40144371 | 100 | 75 | 40152295 | 14 | 29·30 | 40171239 | 100 | 61 |
| 40144390 | 100 | 79 | 40153187 | 100 | 51 | 40171240 | 98 | 46 |
| 40144728 | 14 | 10 | 40153188 | 98 | 28 | 40171244 | 98 | 38 |
| 40145548 | 26 | 89~91 | 40154199 | 24 | 15 | 40171245 | 98 | 34 |
| 40145549 | 26 | 89~91 | 40154832 | 34 | 12 | 40171246 | 98 | 37 |
| 40145550 | 26 | 89~91 | 40154833 | 38 | 100 | 40171247 | 98 | 39 |
| 40145765 | 98 | 47 | 40155958 | 62 | 30 | 40171514 | 60 | 8 |
| 40145774 | 98 | 40 | 40155959 | 64 | 36 | 40171574 | 24 | 23 |
| 40145775 | 102 | 98 | 40155960 | 62 | 34 | 40172165 | 100 | 57 |
| 40148031 | 20 | 29 | 40155960 | 64 | 40 | 40172166 | 100 | 60 |
| 40148032 | 20 | 6·7 | 40155994 | 62 | 31 | 40172167 | 100 | 62 |
| 40148033 | 20 | 32 | 40155994 | 64 | 39 | 40172168 | 100 | 73 |
| 40148034 | 20 | 10·11 | 40155994 | 68 | 40 | 40172170 | 100 | 74 |
| 40148035 | 20 | 34 | 40155995 | 64 | 41 | 40172171 | 100 | 76 |
| 40148036 | 20 | 35 | 40155995 | 68 | 42 | 40172172 | 100 | 77 |
| 40148037 | 20 | 43 | 40163121 | 18 | 10·11 | 40172353 | 98 | 24 |
| | | | 40163259 | 18 | 34·35 | 40172354 | 98 | 25 |

NUMERICAL INDEX OF PARTS

| PART NO | PAGE | REF. NO. | PART NO | PAGE | REF. NO. | PART NO | PAGE | REF. NO. |
|--------------|------|----------|-------------|------|----------|-------------|------|----------|
| 40176347 | 62 | 5 | B3031141H00 | 110 | 27 | BT0400251EB | 114 | 26 |
| 40176348 | 64 | 1 | B3031141H00 | 114 | 27 | BT0400251EB | 118 | 68 |
| 40176349 | 62 | 6 | B3031141H00 | 118 | 38 | BT0400251EB | 120 | 68 |
| 40176350 | 64 | 2 | B3031141H00 | 122 | 38 | BT0400251EB | 122 | 68 |
| 40176628 | 24 | 7 | B3112704000 | 62 | 8 | BT0400251EB | 124 | 68 |
| 40177393 | 68 | 1 | B3112704000 | 64 | 24 | BT0600401EB | 74 | 1 |
| 40177394 | 68 | 2 | B3112704000 | 68 | 24 | BT0600401EB | 92 | 38 |
| 40177400 | 68 | 41 | B312905300 | 64 | 32 | BT0600401EB | 108 | 28 |
| 40177402 | 68 | 37 | B3129053000 | 62 | 22 | BT0600401EB | 120 | 63 |
| 40184941 | 20 | 10·11 | B3129053000 | 68 | 32 | BT0600401EB | 124 | 63 |
| B1132521000 | 2 | 15 | B31375270A0 | 62 | 15 | BT0800501EB | 74 | 2 |
| B1203512000 | 6 | 11 | B31375270A0 | 64 | 26 | BT0800501EB | 92 | 39 |
| B122177100A | 16 | 67~74 | B31375270A0 | 68 | 26 | BT0800501EB | 108 | 29 |
| B122177100B | 16 | 67~74 | B3138527000 | 64 | 27 | BT0800501EB | 120 | 64 |
| B122177100D | 16 | 67~74 | B3138527000 | 68 | 27 | BT0800501EB | 124 | 64 |
| B122177100E | 16 | 67~74 | B3139527000 | 64 | 28 | CM300200001 | 2 | 7 |
| B122177100F | 16 | 67~74 | B3139527000 | 68 | 28 | CM300400901 | 70 | 78·79 |
| B122177100G | 16 | 67~74 | B3141527000 | 64 | 29 | CM300400902 | 70 | 78·79 |
| B122177100H | 16 | 67~74 | B3141527000 | 68 | 29 | CQ200000000 | 78 | 100 |
| B125578100A | 36 | 54 | B3142527000 | 64 | 30 | CQ200000000 | 82 | 100 |
| B125578100C | 16 | 67~74 | B3142527000 | 68 | 30 | CQ202000000 | 8 | 53 |
| B1308055000 | 14 | 16 | B3143527000 | 64 | 31 | CQ202000000 | 24 | 74 |
| B1310055000 | 14 | 17 | B3143527000 | 68 | 31 | CQ202000000 | 26 | 74 |
| B1314055000 | 14 | 18 | B3417051000 | 4 | 55 | CQ202000000 | 36 | 97 |
| B1438512B00 | 10 | 21~28 | B3417051000 | 110 | 47 | CQ202000000 | 38 | 97 |
| B1504210000 | 46 | 1 | B3417051000 | 114 | 40 | CQ202000000 | 80 | 77 |
| B1504210000 | 110 | 37 | B3417051000 | 120 | 62 | CQ252000000 | 10 | 16 |
| B1504210000 | 114 | 37 | B3417051000 | 124 | 67 | CQ252000000 | 24 | 56 |
| B1504210000 | 120 | 48 | B3428521000 | 88 | 16 | CQ252000000 | 26 | 56 |
| B1504210000 | 124 | 48 | B3525357000 | 78 | 23 | CQ252000000 | 80 | 94 |
| B1516210D00 | 90 | 9 | B3534012000 | 78 | 25 | CQ300000000 | 82 | 113·114 |
| B152652700G | 40 | 63 | B3538112000 | 80 | 85·86 | CS0800881TP | 14 | 40·41 |
| B152652700G | 42 | 63 | B4122804000 | 40 | 48 | CS1201010SH | 32 | 22 |
| B1639051000 | 14 | 8 | B4122804000 | 42 | 48 | CS1201010SH | 40 | 33 |
| B1803019000 | 6 | 40 | B9113012000 | 92 | 60 | CS1701181TP | 10 | 3 |
| B1834512000A | 80 | 95 | B91210120A0 | 92 | 42 | CS1701181TP | 12 | 3 |
| B1834512000A | 82 | 95 | BP500000000 | 80 | 58 | D1231555B00 | 26 | 51 |
| B2508047000 | 56 | 55·56 | BT0400251EB | 28 | 27 | D1231555B00 | 36 | 53 |
| B255728000A | 16 | 75~88 | BT0400251EB | 30 | 27 | D2112555B00 | 2 | 39·56 |
| B255728000B | 16 | 75~88 | BT0400251EB | 42 | 75·76 | D2112555B00 | 4 | 39·56 |
| B255728000C | 16 | 75~88 | BT0400251EB | 46 | 2·13 | D2112555B00 | 80 | 88 |
| B255728000D | 16 | 75~88 | BT0400251EB | 48 | 6·25 | D2112555B00 | 94 | 68 |
| B255728000E | 16 | 75~88 | BT0400251EB | 60 | 13 | D2112555B00 | 104 | 10 |
| B3019816000 | 18 | 24·25 | BT0400251EB | 108 | 26 | D2112555B00 | 110 | 42 |
| B3031141H00 | 46 | 3 | BT0400251EB | 110 | 26 | D2112555B00 | 114 | 42 |

NUMERICAL INDEX OF PARTS

| PART NO | PAGE | REF NO. | PART NO | PAGE | REF NO. | PART NO | PAGE | REF NO. |
|-------------|------|----------|-------------|------|---------|-------------|------|---------|
| D2112555B00 | 120 | 80 | MAT80230T00 | 120 | 72 | PA200150900 | 44 | 84 |
| D2112555B00 | 124 | 80 | MAT80230T00 | 124 | 72 | PA200350300 | 60 | 10 |
| D2464555B00 | 60 | 11 | MAT80231T00 | 108 | 38 | PA250250900 | 46 | 12 |
| D2629M1YC0F | 42 | 52 | MAT80231T00 | 120 | 73 | PA250250900 | 48 | 5 |
| D2629M1YC0F | 110 | 20 | MAT80231T00 | 124 | 73 | PA250250900 | 110 | 36 |
| D2629M1YC0F | 114 | 20 | MAT80232T00 | 108 | 31 | PA250250900 | 114 | 36 |
| D2629M1YC0F | 118 | 31 | MAT80232T00 | 120 | 74 | PA250250900 | 118 | 47 |
| D2629M1YC0F | 122 | 31 | MAT80232T00 | 124 | 74 | PA250250900 | 122 | 47 |
| E2613700000 | 24 | 26 | MML007600CA | 90 | 10 | PA400150200 | 28 | 16 |
| E3026721000 | 6 | 41 | MTJVH00540A | 94 | 67 | PA400150200 | 108 | 5 |
| EA9500B0100 | 4 | 51-53 | MTJVH00540A | 104 | 7 | PA400150200 | 118 | 5 |
| EA9500B0100 | 44 | 91 | MTSP00700B0 | 92 | 66 | PA400150200 | 122 | 5 |
| EA9500B0100 | 48 | 21 | MTSP00700B0 | 104 | 6 | PF055107000 | 90 | 21 |
| EA9500B0100 | 72 | 16 | NM6030001SC | 72 | 7 | PF055107000 | 108 | 20 |
| EA9500B0100 | 74 | 13 | NM6040002SC | 84 | 27 | PF055107000 | 120 | 56 |
| EA9500B0100 | 80 | 52-104 | NM6040002SC | 86 | 25 | PF055107000 | 124 | 56 |
| EA9500B0100 | 82 | 52-104 | NM6050001SD | 32 | 21 | PJ020500002 | 74 | 7 |
| EA9500B0100 | 90 | 8 | NM6050001SD | 42 | 54 | PJ020500002 | 110 | 45 |
| EA9500B0100 | 108 | 17 | NM6050001SD | 110 | 22 | PJ020500002 | 114 | 45 |
| EA9500B0100 | 120 | 53 | NM6050001SD | 114 | 22 | PJ025100003 | 90 | 20 |
| EA9500B0100 | 124 | 53 | NM6050001SD | 118 | 33 | PJ025100003 | 108 | 19 |
| EA9500B0200 | 4 | 50-52 | NM6050001SD | 122 | 33 | PJ025100003 | 120 | 55 |
| EA9500B0200 | 74 | 12 | NM6050001SE | 84 | 24 | PJ025100003 | 124 | 55 |
| EA9500B0200 | 82 | 105 | NM6050001SE | 86 | 26 | PJ046052503 | 42 | 77 |
| EA9500B0200 | 92 | 45 | NM6050001SP | 90 | 26 | PJ046052503 | 48 | 7 |
| EA9500B0200 | 108 | 27 | NM6050001SP | 108 | 24 | PJ046052503 | 60 | 14 |
| EA9500B0200 | 120 | 65 | NM6050001SP | 120 | 60 | PJ046052503 | 110 | 8 |
| EA9500B0200 | 124 | 65 | NM6050001SP | 124 | 60 | PJ046052503 | 114 | 8 |
| G1216870000 | 14 | 37 | NM6060001CP | 6 | 42 | PJ046052503 | 118 | 19 |
| HX00150000B | 92 | 59 | NM6060001CP | 34 | 31 | PJ046052503 | 122 | 19 |
| HX00150000C | 74 | 14 | NM6060001CP | 48 | 9 | PJ301040502 | 110 | 46 |
| HX00150000D | 80 | 101 | NM6060001CP | 70 | 65 | PJ301040502 | 114 | 46 |
| HX00150000D | 82 | 101 | NM6060001CP | 110 | 9 | PJ304040504 | 46 | 5 |
| HX00150000H | 4 | 48 | NM6060001CP | 114 | 9 | PJ304040504 | 110 | 29 |
| HX00150000H | 74 | 8 | NM6060001CP | 118 | 20 | PJ304040504 | 114 | 29 |
| HX00150000M | 74 | 9 | NM6060001CP | 122 | 20 | PJ304040504 | 118 | 40 |
| HX003140000 | 30 | 24-25 | NM6060001SD | 24 | 25 | PJ304040504 | 122 | 40 |
| HX00314000A | 30 | 24-25 | NM6060001SE | 32 | 18 | PJ304045102 | 28 | 21 |
| M13517B1400 | 10 | 19-20-31 | NS6110310SP | 32 | 14 | PJ304045102 | 108 | 10 |
| M13517B1400 | 12 | 28 | NS6110310SP | 56 | 67-68 | PJ304045102 | 118 | 10 |
| M13517B1402 | 90 | 18-19 | NS6110310SP | 62 | 38 | PJ304045102 | 122 | 10 |
| M13517B2000 | 10 | 19-20-31 | NS6110310SP | 64 | 45 | PJ304065101 | 90 | 22 |
| M13517B2002 | 90 | 18-19 | NS6110310SP | 68 | 46 | PJ304065101 | 108 | 21 |
| MAH152010A0 | 106 | 1 | NS6110310SP | 78 | 31 | PJ304065101 | 120 | 57 |
| MAT80230T00 | 108 | 37 | NS6680410SP | 36 | 85 | PJ304065101 | 124 | 57 |

NUMERICAL INDEX OF PARTS

| PART NO | PAGE | REF. NO. | PART NO | PAGE | REF. NO. | PART NO | PAGE | REF. NO. |
|-------------|------|----------|-------------|------|----------|-------------|------|----------|
| PV150209100 | 74 | 6 | SB115001000 | 14 | 44 | SK3514000SC | 124 | 69 |
| PV150209100 | 110 | 44 | SB115002200 | 16 | 64 | SL4040691SC | 52 | 6 |
| PV150209100 | 114 | 44 | SB117000700 | 38 | 73-99 | SL4040691SC | 112 | 49 |
| RC0150001KP | 26 | 53 | SB120001800 | 6 | 13 | SL4040691SC | 116 | 54 |
| RC0150001KP | 36 | 59 | SB120001800 | 14 | 5 | SL4040691SC | 120 | 82 |
| RC0560711KP | 76 | 17 | SB120002700 | 6 | 56 | SL4040691SC | 124 | 87 |
| RC0650811KP | 36 | 71 | SB120002700 | 8 | 56 | SL4040881SC | 40 | 26 |
| RC0740811KP | 48 | 23 | SB125000600 | 26 | 58 | SL4041091SC | 74 | 3 |
| RC0740811KP | 110 | 15 | SB130000200 | 36 | 72 | SL4041491SC | 50 | 6 |
| RC0740811KP | 114 | 15 | SB310000300 | 12 | 26 | SL4041491SC | 110 | 40 |
| RC0740811KP | 118 | 26 | SD0380556TL | 2 | 16 | SL4041491SC | 120 | 67 |
| RC0740811KP | 122 | 26 | SD0450401SP | 62 | 27 | SL4051091SC | 60 | 18 |
| RC2351018KP | 14 | 35-36 | SD0450401SP | 64 | 35 | SL6051092TN | 78 | 45 |
| RE0300000K0 | 56 | 59-60 | SD0450401SP | 68 | 35 | SL6052592TN | 6 | 17 |
| RE0320000K0 | 46 | 4 | SD0460576TP | 56 | 53-54 | SM0030601SC | 76 | 18 |
| RE0320000K0 | 110 | 28 | SD0500803TP | 32 | 16 | SM0050801SC | 26 | 61 |
| RE0320000K0 | 114 | 28 | SD0550271TP | 72 | 8 | SM0051001SC | 76 | 35 |
| RE0320000K0 | 118 | 39 | SD0600346TP | 70 | 52 | SM1040750TP | 2 | 46 |
| RE0320000K0 | 122 | 39 | SD0640322TP | 14 | 20 | SM1040750TP | 4 | 46 |
| RE0400000K0 | 28 | 23 | SD0640752TP | 70 | 61 | SM1061201SN | 14 | 21 |
| RE0400000K0 | 60 | 15 | SD0650321TP | 56 | 69-70 | SM2051000SC | 2 | 38 |
| RE0400000K0 | 108 | 12 | SD0800321TH | 60 | 16 | SM3061652TN | 46 | 9 |
| RE0400000K0 | 118 | 12 | SD0800327TP | 70 | 73 | SM4021601SN | 52 | 3 |
| RE0400000K0 | 122 | 12 | SD0800341SP | 60 | 17 | SM4030455SP | 12 | 25 |
| RE0500000K0 | 14 | 9 | SD0800346TP | 42 | 79 | SM4030601SN | 24 | 10 |
| RE0500000K0 | 26 | 57 | SD0800406TP | 48 | 24 | SM4040501SN | 70 | 84 |
| RE0500000K0 | 54 | 102-103 | SD0800406TP | 110 | 16 | SM4040501SN | 116 | 50 |
| RE0500000K0 | 58 | 102-103 | SD0800406TP | 114 | 16 | SM4040501SN | 124 | 62 |
| RE0500000K0 | 62 | 41 | SD0800406TP | 118 | 27 | SM4040655SP | 4 | 49 |
| RE0500000K0 | 64 | 46 | SD0800406TP | 122 | 27 | SM4040655SP | 56 | 92 |
| RE0500000K0 | 70 | 48 | SD0802126TP | 24 | 24 | SM4040655SP | 80 | 51 |
| RE0700000K0 | 70 | 56 | SD0900426TP | 42 | 80 | SM4040855SP | 74 | 15 |
| RE1000000K0 | 32 | 15 | SD1000406TP | 32 | 19 | SM4041201SC | 50 | 7 |
| RE1200000K0 | 36 | 60 | SD1021251SP | 34 | 20 | SM4041201SC | 84 | 29 |
| RO037180100 | 62 | 26 | SK3452501SE | 92 | 52 | SM4041201SC | 86 | 22 |
| RO037180100 | 64 | 34 | SK3482001SE | 88 | 11 | SM4041201SC | 116 | 51 |
| RO037180100 | 68 | 34 | SK3482001SE | 90 | 37 | SM4041201SC | 124 | 84 |
| RO092270200 | 40 | 55 | SK3482001SE | 92 | 37 | SM4041401SC | 70 | 71 |
| RO092270200 | 42 | 55 | SK3482001SE | 108 | 14 | SM4042501SC | 84 | 28 |
| RO098240100 | 78 | 44 | SK3482001SE | 120 | 50 | SM4042501SC | 86 | 23 |
| SB108000400 | 14 | 60-61 | SK3482001SE | 124 | 50 | SM4050501SC | 10 | 29 |
| SB108000400 | 16 | 60-61 | SK3482501SE | 88 | 10 | SM4050855SP | 2 | 40 |
| SB108001900 | 8 | 24-55 | SK3482501SE | 90 | 17 | SM4050855SP | 42 | 56 |
| SB108002400 | 6 | 24-55 | SK3514000SC | 108 | 25 | SM4050855SP | 48 | 8 |
| SB115000200 | 36 | 73-99 | SK3514000SC | 120 | 69 | SM4050855SP | 62 | 42 |

NUMERICAL INDEX OF PARTS

| PART NO | PAGE | REF NO. | PART NO | PAGE | REF NO. | PART NO | PAGE | REF NO. |
|-------------|------|---------|-------------|------|---------|-------------|------|---------|
| SM4050855SP | 66 | 49 | SM6040870SP | 70 | 77 | SM6054502TN | 108 | 9 |
| SM4050855SP | 70 | 90 | SM6041002TP | 56 | 63-64 | SM6054502TN | 118 | 9 |
| SM4050855SP | 92 | 29-31 | SM6041150TP | 70 | 82 | SM6054502TN | 122 | 9 |
| SM4050855SP | 104 | 9 | SM6041150TP | 116 | 48 | SM6054502TP | 46 | 10 |
| SM4050855SP | 110 | 41 | SM6041150TP | 124 | 83 | SM6054502TP | 110 | 34 |
| SM4050855SP | 114 | 41 | SM6041402TP | 40 | 45 | SM6054502TP | 114 | 34 |
| SM4050855SP | 118 | 79 | SM6041802TP | 40 | 73 | SM6054502TP | 118 | 45 |
| SM4050855SP | 120 | 79 | SM6041802TP | 42 | 73 | SM6054502TP | 122 | 45 |
| SM4050855SP | 122 | 79 | SM6041802TP | 78 | 34 | SM6055002TP | 48 | 10 |
| SM4050855SP | 124 | 79 | SM6043002TN | 80 | 84 | SM6055002TP | 110 | 10 |
| SM4051001SN | 62 | 43 | SM6050450TP | 70 | 68 | SM6055002TP | 114 | 10 |
| SM4051001SN | 66 | 52 | SM6050800SP | 36 | 94 | SM6055002TP | 118 | 21 |
| SM4051001SN | 70 | 80 | SM6050802TP | 28 | 9 | SM6055002TP | 122 | 21 |
| SM4051055SP | 2 | 32 | SM6050802TP | 42 | 81 | SM6056552TP | 60 | 22 |
| SM4051055SP | 92 | 33 | SM6050802TP | 60 | 20 | SM6060550TP | 80 | 89 |
| SM4051255SP | 4 | 54 | SM6051000SP | 26 | 60 | SM6061002TP | 2 | 42 |
| SM4051255SP | 72 | 12 | SM6051002TP | 6 | 43 | SM6061002TP | 46 | 8 |
| SM4051405SE | 84 | 23 | SM6051002TP | 56 | 77-78 | SM6061002TP | 60 | 12 |
| SM4051405SE | 86 | 24 | SM6051202TP | 32 | 4 | SM6061002TP | 110 | 32 |
| SM4055501SC | 2 | 4 | SM6051202TP | 42 | 58 | SM6061002TP | 114 | 32 |
| SM4061201SC | 92 | 64 | SM6051202TP | 54 | 45-46 | SM6061002TP | 118 | 43 |
| SM4061201SC | 104 | 4 | SM6051202TP | 70 | 60 | SM6061002TP | 122 | 43 |
| SM6030402TP | 78 | 19 | SM6051202TP | 90 | 24 | SM6061010TP | 42 | 82 |
| SM6030450TP | 18 | 30-31 | SM6051202TP | 108 | 22 | SM6061202TP | 26 | 62 |
| SM6030602TP | 56 | 71-72 | SM6051202TP | 110 | 25 | SM6061402TP | 36 | 83 |
| SM6030602TP | 72 | 9 | SM6051202TP | 114 | 25 | SM6061402TP | 106 | 4 |
| SM6031202TP | 76 | 20 | SM6051202TP | 118 | 58 | SM6061602TP | 28 | 19 |
| SM6040502TP | 34 | 27 | SM6051202TP | 120 | 58 | SM6061602TP | 42 | 83 |
| SM6040602TP | 12 | 35 | SM6051202TP | 122 | 58 | SM6061602TP | 108 | 8 |
| SM6040602TP | 80 | 102 | SM6051202TP | 124 | 58 | SM6061602TP | 110 | 33 |
| SM6040602TP | 82 | 102 | SM6051400SP | 32 | 5 | SM6061602TP | 114 | 33 |
| SM6040650TP | 10 | 10 | SM6051400SP | 42 | 57 | SM6061602TP | 118 | 44 |
| SM6040650TP | 12 | 14 | SM6051400SP | 110 | 24 | SM6061602TP | 122 | 44 |
| SM6040650TP | 14 | 63 | SM6051400SP | 114 | 24 | SM6061802TP | 14 | 46-47 |
| SM6040650TP | 16 | 63 | SM6051400SP | 118 | 35 | SM6061802TP | 36 | 75 |
| SM6040650TP | 18 | 36-37 | SM6051400SP | 122 | 35 | SM6061802TP | 80 | 49 |
| SM6040650TP | 26 | 59 | SM6051402TP | 34 | 52 | SM6062002TP | 26 | 63 |
| SM6040650TP | 36 | 91 | SM6051402TP | 36 | 52 | SM6062502TP | 38 | 101 |
| SM6040650TP | 96 | 12 | SM6051402TP | 60 | 21 | SM6081552TP | 28 | 18 |
| SM6040800SP | 96 | 10 | SM6051402TP | 106 | 3 | SM6081552TP | 108 | 7 |
| SM6040802TP | 18 | 26-27 | SM6051602TP | 8 | 49 | SM6081552TP | 118 | 7 |
| SM6040802TP | 40 | 42 | SM6051602TP | 42 | 59 | SM6081552TP | 122 | 7 |
| SM6040802TP | 56 | 75-76 | SM6051802TP | 28 | 8 | SM6084502TP | 48 | 11 |
| SM6040860TP | 76 | 19 | SM6052002TP | 40 | 30 | SM6084502TP | 110 | 11 |
| SM6040870SP | 2 | 34 | SM6054502TN | 28 | 20 | SM6084502TP | 114 | 11 |

NUMERICAL INDEX OF PARTS

| PART NO | PAGE | REF NO. | PART NO | PAGE | REF NO. | PART NO | PAGE | REF NO. |
|-------------|------|---------|-------------|------|---------|-------------|------|---------|
| SM6084502TP | 118 | 22 | SQ0000401MZ | 78 | 21 | TA0180401M0 | 14 | 33-34 |
| SM6084502TP | 122 | 22 | SS2060310SP | 10 | 32 | TA0290301M0 | 8 | 54 |
| SM8040312TP | 54 | 47-48 | SS3090710TP | 62 | 28 | TA0500301R0 | 10 | 30 |
| SM8040312TP | 56 | 47-48 | SS4090515SP | 72 | 5 | TA0500301R0 | 12 | 27 |
| SM8040412TP | 36 | 76 | SS4090715SP | 12 | 46 | TA0620504R0 | 10 | 5 |
| SM8040412TP | 70 | 69 | SS4110615SP | 62 | 29 | TA0620504R0 | 12 | 5 |
| SM8050412TP | 16 | 48-49 | SS4110615SP | 64 | 5 | TA0620504R0 | 16 | 65-66 |
| SM8050412TP | 40 | 47 | SS4110615SP | 68 | 36 | TA1030402R0 | 2 | 19 |
| SM8050412TP | 42 | 47 | SS4110815SP | 62 | 37 | TA1250406R0 | 2 | 21 |
| SM8050502TP | 76 | 21 | SS4110815SP | 64 | 44 | TA1270502R0 | 2 | 20 |
| SM8050512TP | 56 | 85-86 | SS4110815SP | 68 | 45 | TA1550902R0 | 2 | 35 |
| SM8050512TP | 78 | 46 | SS6060220SP | 56 | 81-82 | TA1650406R0 | 2 | 9 |
| SM8050612TP | 24 | 6 | SS6060510TP | 12 | 31 | WP0320501SE | 72 | 10 |
| SM8050612TP | 36 | 79 | SS6080320SP | 18 | 40-41 | WP0371016SD | 12 | 19 |
| SM8050612TP | 56 | 49-50 | SS6090520SP | 56 | 83-84 | WP0430800SD | 24 | 21 |
| SM80506A2TP | 16 | 50-51 | SS6090612TP | 36 | 50 | WP0430800SD | 78 | 33 |
| SM8050812TP | 6 | 7 | SS6110480SP | 56 | 73-74 | WP0430801SC | 50 | 8 |
| SM8050812TP | 36 | 78 | SS6110480SP | 96 | 11 | WP0430801SC | 116 | 52 |
| SM8050842TP | 36 | 77 | SS6111010TP | 36 | 82 | WP0430801SC | 124 | 85 |
| SM8051002TP | 76 | 34 | SS6121210SP | 40 | 60 | WP0431005SP | 34 | 30 |
| SM8060552TP | 18 | 20-21 | SS6121210SP | 42 | 60 | WP0431005SP | 40 | 90 |
| SM8060552TP | 26 | 66 | SS6151220SP | 108 | 32 | WP0431005SP | 44 | 90 |
| SM8060552TP | 34 | 43 | SS6151220SP | 120 | 75 | WP0450000SD | 56 | 87-88 |
| SM8060612TP | 8 | 45 | SS6151220SP | 124 | 75 | WP0450801SP | 76 | 22 |
| SM8060612TP | 10 | 4 | SS7090510SP | 64 | 8 | WP0460326SF | 70 | 85 |
| SM8060612TP | 12 | 4 | SS7090510SP | 68 | 5 | WP0460556SD | 62 | 21 |
| SM8060612TP | 26 | 65 | SS7090510SP | 88 | 17 | WP0460556SD | 64 | 10 |
| SM8060612TP | 28 | 7 | SS7090910TP | 10 | 12 | WP0460556SD | 68 | 9 |
| SM8060612TP | 34 | 80 | SS7110710SL | 108 | 34 | WP0480856SP | 108 | 35 |
| SM8060612TP | 36 | 80 | SS7110710SL | 120 | 77 | WP0480856SP | 120 | 78 |
| SM8060612TP | 40 | 96 | SS7110710SL | 124 | 77 | WP0480856SP | 124 | 78 |
| SM8060612TP | 42 | 96 | SS7110740TP | 48 | 19 | WP0501016SD | 62 | 19 |
| SM8060612TP | 44 | 96 | SS7111410SP | 108 | 33 | WP0501016SD | 64 | 9 |
| SM8060812TP | 6 | 25 | SS7111410SP | 120 | 76 | WP0501016SD | 68 | 8 |
| SM8060812TP | 14 | 6 | SS7111410SP | 124 | 76 | WP0531000SD | 6 | 26 |
| SM8060812TP | 36 | 81 | SS8080410TP | 10 | 15 | WP0531000SD | 70 | 93 |
| SM8060812TP | 56 | 79-80 | SS8110422TP | 36 | 74 | WP0531001SC | 84 | 22 |
| SM80608A2TP | 6 | 58 | SS8111010TP | 14 | 22 | WP0531001SC | 86 | 28 |
| SM80608A2TP | 8 | 58 | SS8151550SP | 6 | 21 | WP0550800SP | 34 | 26 |
| SM80608A2TP | 24 | 42 | SS8660610TP | 36 | 58 | WP0550800SP | 56 | 89-90 |
| SM8061212TP | 70 | 64 | SS8660612TP | 14 | 23 | WP0550800SP | 92 | 53 |
| SM8063012TR | 32 | 13 | SS8661012TP | 62 | 39 | WP0650876SD | 36 | 61 |
| SM8080812TP | 6 | 22 | SS8661012TP | 66 | 53 | WP0651001SC | 26 | 88 |
| SM9061203SE | 88 | 7 | SS8661012TP | 70 | 91 | WP0740516SP | 34 | 86 |
| SM9061853SR | 32 | 20 | SS9110460CP | 70 | 51 | WP0740516SP | 36 | 86 |

NUMERICAL INDEX OF PARTS

| PART NO | PAGE | REF NO. |
|-------------|------|---------|
| WP0820516SP | 6 | 44 |
| WP1051416SD | 70 | 92 |
| WP1612616SE | 84 | 15 |
| WP1612616SE | 86 | 27 |
| WS0451040KP | 76 | 27 |
| WS0510002KN | 84 | 21 |
| WS0510002KN | 86 | 29 |
| WS0510002KN | 90 | 25 |
| WS0510002KN | 108 | 23 |
| WS0510002KN | 120 | 59 |
| WS0510002KN | 124 | 59 |
| WT1780011KP | 40 | 40 |
| WZ1052010KP | 28 | 11 |