



Single Thread, Chainstitch Button Attaching Machine  
 高速単糸環縫ボタン付ミシン

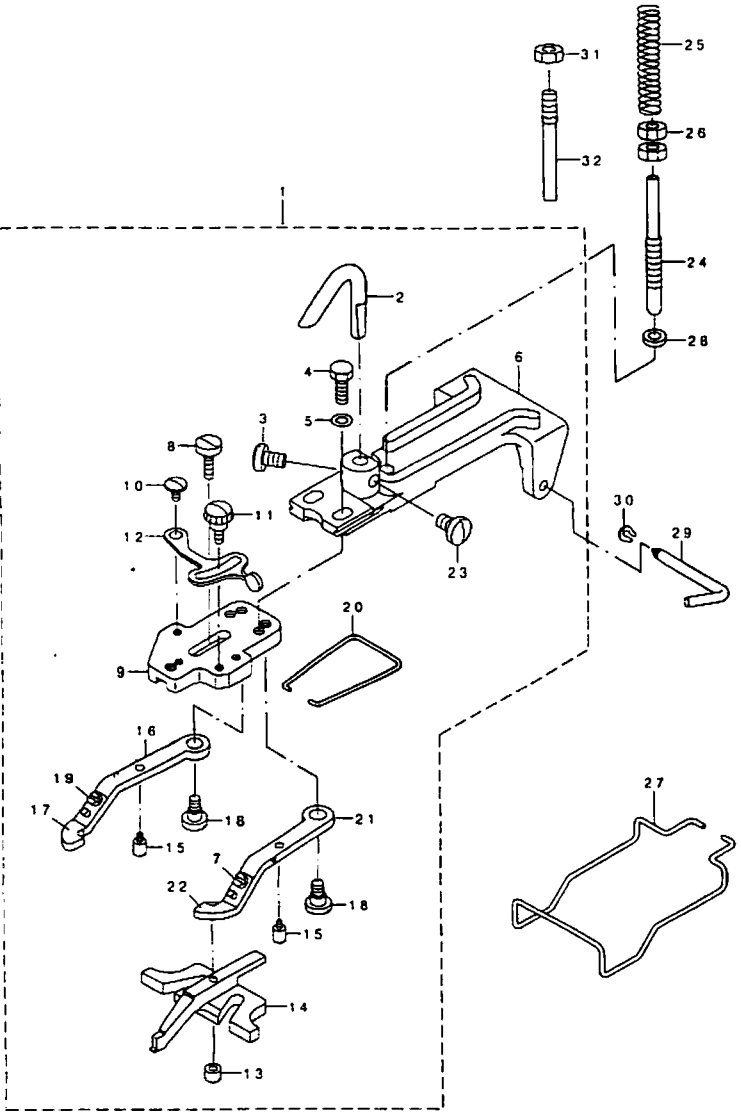
**MB-1373**  
**MB-1377**

**PARTS LIST**

40041090  
 No.1493-00

1. BUTTON CLAMP MECHANISM COMPONENTS

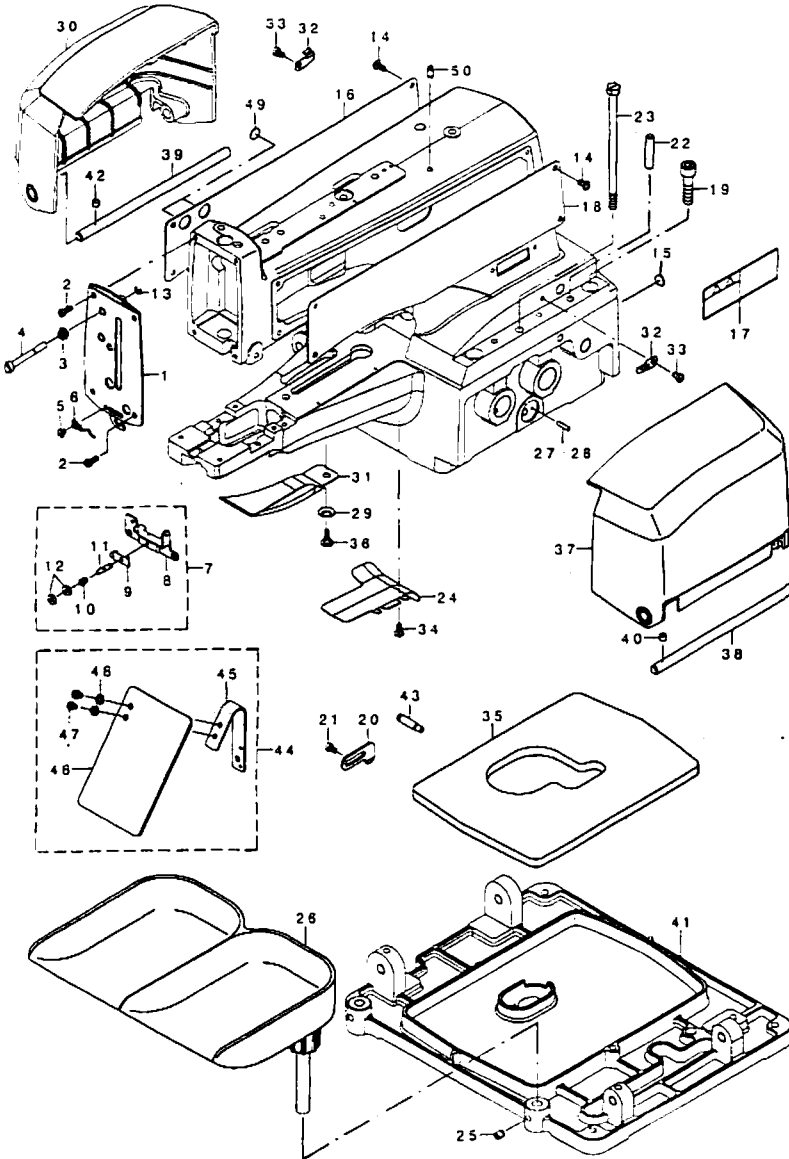
ボタンつまみ関係



| REF. NO. | NOTE | PART NO.      | D E S C R I P T I O N          | 量   | 単位 |
|----------|------|---------------|--------------------------------|-----|----|
| 1        |      | 260-26856     | PICK-UP DEVICE ASN.            | 1   |    |
| 2        |      | 400-41058     | BUTTON CLAMP LIFTING HOOK      | (1) |    |
| 3        |      | SS-7150940-SP | SCREW 15/64-28 L=9             | (1) |    |
| 4        |      | SS-9621413-SP | SCREW 3/16-32 L=13.5           | (2) |    |
| 5        |      | WP-0501016-SD | WASHER 5X10.5X1                | (2) |    |
| 6        |      | 260-25502     | BUTTON CLAMP HOLDER            | (1) |    |
| 7        |      | SS-7090410-SP | SCREW 9/64-40 L=3.5            | (1) |    |
| 8        |      | SD-0550301-SP | HINGE SCREW D=5.5 H=3          | (1) |    |
| 9        |      | 260-25403     | JAW LEVER HOLDER               | (1) |    |
| 10       |      | SD-0550181-SP | HINGE SCREW D=5.50 H=1.8       | (1) |    |
| 11       |      | 260-25809     | CLAMP SCREW A                  | (1) |    |
| 12       |      | 260-25700     | SNAP FASTENER CLAMP STOP LEVER | (1) |    |
| 13       |      | 260-26005     | NUT                            | (1) |    |
| 14       |      | 260-25908     | BUTTON CLAMP SLIDE             | (1) |    |
| 15       |      | 260-26609     | BUTTON CLAMP STOP PIN          | (2) |    |
| 16       |      | 260-26104     | BUTTON CLAMP LEVER JAW (LEFT)  | (1) |    |
| 17       |      | 260-26203     | BUTTON HOLDING SPRING, LEFT    | (1) |    |
| 18       |      | SD-0640391-TP | HINGE SCREW D=6.35 H=3.9       | (2) |    |
| 19       |      | SS-7090410-SP | SCREW 9/64-40 L=3.5            | (1) |    |
| 20       |      | 260-26708     | BUTTON CLAMP SPRING            | (1) |    |
| 21       |      | 260-26302     | BUTTON CLAMP LEVER JAW RIGHT   | (1) |    |
| 22       |      | 260-26401     | BUTTON HOLDING SPRING, RIGHT   | (1) |    |
| 23       |      | SS-7150940-SP | SCREW 15/64-28 L=9             | (1) |    |
| 24       |      | 400-40938     | BUTTON_CLAMP_PRESSURE_ADJUSTIN | 1   |    |
| 25       |      | 260-27102     | PRESSURE ADJUSTING SPRING      | 1   |    |
| 26       |      | NW-6060001-CP | NUT M6                         | 2   |    |
| 27       |      | 260-27409     | FINGER GUARD                   | 1   |    |
| 28       |      | 400-41069     | SPRING_HOLDING_PLATE...        | 1   |    |
| 29       |      | 260-25205     | HINGE PIN                      | 1   |    |
| 30       |      | R2541-372-000 | SNAP RING                      | 1   |    |
| 31       |      | NW-6060001-CP | NUT M6                         | 1   |    |
| 32       |      | 400-40937     | PICK_UP_DEVICE_STOPPER_PIN     | 1   |    |

## 2. ARM & MISCELLANEOUS COVERS COMPONENTS

アームベッド関係

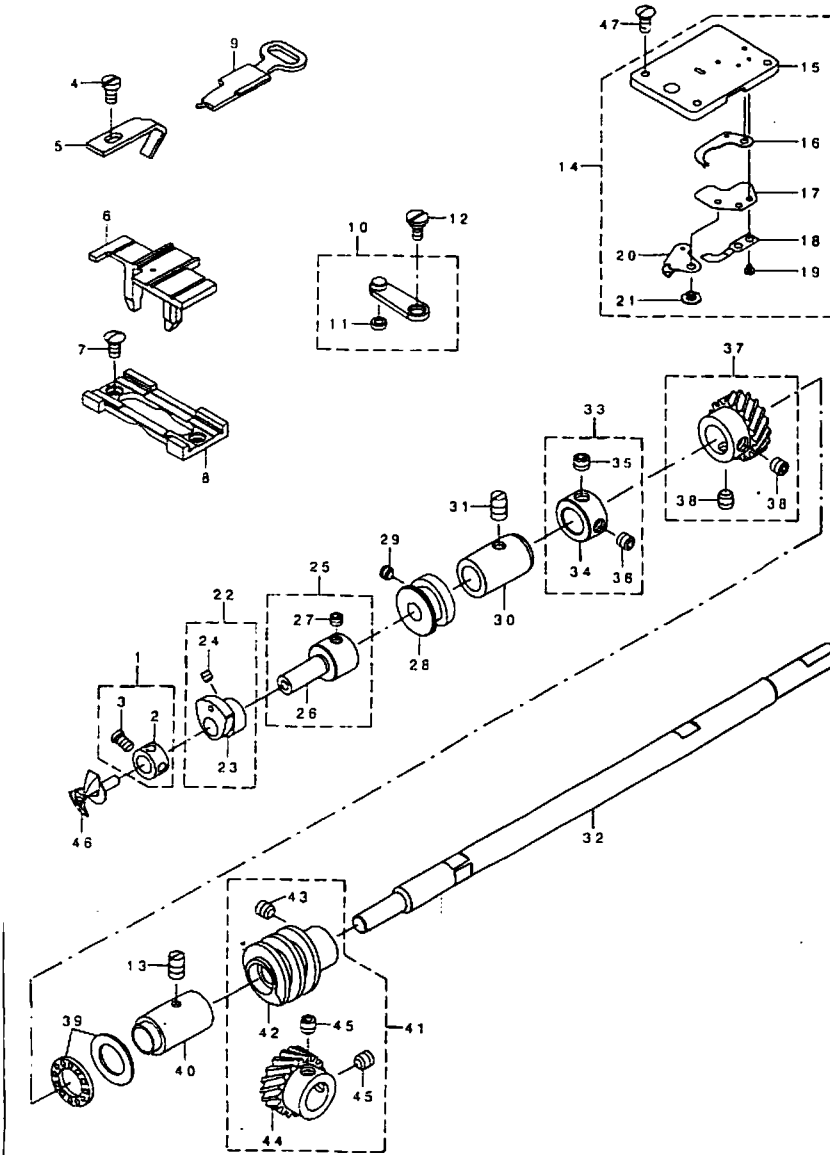


| REF. NO. | NOTE | PART NO.      | DESCRIPTION                  | UNIT           | QTY. |
|----------|------|---------------|------------------------------|----------------|------|
| 1        |      | 400-38426     | FACE_PLATE_COMPL.            | フェイスプレート       | 1    |
| 2        |      | SM-4040855-SP | SCREW                        | ナット            | 4    |
| 3        |      | 260-21600     | TENSION SPRING               | コイル            | 1    |
| 4        |      | 260-32003     | NIPPER RELEASING STUD        | コイル            | 1    |
| 5        |      | SM-6040650-TP | SCREW                        | ビス             | 1    |
| 6        |      | 260-31203     | THREAD GUIDE NO.4            | スレッドガイド        | 1    |
| 7        |      | 260-31351     | THREAD TENSION NO.3 ASM.     | スレッドテンション      | 1    |
| 8        |      | 260-31302     | TENSION ADJUSTING BASE NO.3  | スレッドテンション調整ベース | (1)  |
| 9        |      | 260-31401     | THREAD PRESSER PLATE         | スレッドプレスプレート    | (1)  |
| 10       |      | 260-31500     | TENSION SPRING B             | スレッドテンション      | (1)  |
| 11       |      | 260-31609     | THREAD TENSION STUD          | スレッドテンションスタッド  | (1)  |
| 12       |      | 260-31708     | THREAD TENSION NUT           | スレッドテンションナット   | (2)  |
| 13       |      | RE-0320000-KO | E-RING 3.2                   | Eリング           | 1    |
| 14       |      | SM-4040855-SP | SCREW                        | ナット            | 8    |
| 15       |      | TA-2050406-RO | RUBBER PLUG                  | ゴム栓            | 1    |
| 16       |      | 400-40931     | SIDE_COVER_RIGHT             | サイドカバー         | 1    |
| 17       |      | CM-3013000-01 | SAFETY LABEL                 | 安全ラベル          | 1    |
| 18       |      | 400-40932     | SIDE_COVER_LEFT              | サイドカバー         | 1    |
| 19       |      | SM-6083042-CH | SCREW M5 L=30                | ビス             | 4    |
| 20       |      | 260-33704     | STOPPER                      | ストッパー          | 1    |
| 21       |      | SM-6060800-SP | SCREW M5 L=8                 | ビス             | 2    |
| 22       |      | 260-11205     | GUIDE PIN                    | ガイドピン          | 1    |
| 23       |      | 400-38483     | SET SCREW                    | セットネジ          | 2    |
| 24       |      | 400-38431     | BED_OIL_SHIELD               | ベッドオイルシールド     | 1    |
| 25       |      | SM-8060610-TP | SCREW                        | ビス             | 1    |
| 26       |      | 400-41022     | BUTTON TRAY ASM.             | ボタントレイ         | 1    |
| 27       | =01  | 260-22608     | CAM INDICATING PIN A         | カム指示ピン         | 2    |
| 28       | =01  | 260-22707     | CAM INDICATING PIN B         | カム指示ピン         | 2    |
| 29       |      | WS-0650389-KP | SPRING WASHER 6.5X14.0X17    | スプリングワッシャー     | 1    |
| 30       |      | 400-38425     | SIDE_COVER_LEFT              | サイドカバー         | 1    |
| 31       |      | 400-38430     | LOOPER COVER                 | ルーパーカバー        | 1    |
| 32       |      | 400-41067     | SIDE_COVER_SPRING            | サイドカバーコイル      | 2    |
| 33       |      | SM-6040600-SP | SCREW M4 L=6                 | ビス             | 2    |
| 34       |      | SM-4040855-SP | SCREW                        | ナット            | 2    |
| 35       |      | 400-38173     | OIL DRIP FELT                | オイルドリップフェルト    | 1    |
| 36       |      | SD-0600277-TP | SHOULDER SCREW D=6 H=2.7     | ショルダーネジ        | 1    |
| 37       |      | 400-38424     | SIDE_COVER_RIGHT             | サイドカバー         | 1    |
| 38       |      | 400-40936     | SIDE_COVER_HINGE_SHAFT_RIGHT | サイドカバーヒンジシャフト  | 2    |
| 39       |      | 400-40935     | SIDE_COVER_HINGE_SHAFT_LEFT  | サイドカバーヒンジシャフト  | 1    |
| 40       |      | SM-8060612-TP | SCREW M6 L=6                 | ビス             | 1    |
| 41       |      | 400-38446     | MACHINE SUB BASE             | マシンサブベース       | 1    |
| 42       |      | SM-8060612-TP | SCREW M6 L=6                 | ビス             | 1    |
| 43       |      | 400-38471     | SUSPENSION SCREW B           | サスペンションネジ      | 1    |
| 44       |      | 400-54729     | ASSY SAFETY PLATE            | 安全プレート         | 1    |
| 45       |      | 400-54730     | SAFETY PLATE INSTALLING BASE | 安全プレート取付ベース    | (1)  |
| 46       |      | 260-37200     | SAFETY PLATE                 | 安全プレート         | (1)  |
| 47       |      | SM-4040655-SP | SCREW M4 L=6                 | ビス             | (2)  |
| 48       |      | WP-0430800-SD | WASHER M4                    | ワッシャー          | (2)  |
| 49       |      | TA-1250406-RO | RUBBER PLUG D=12.5 L=4       | ゴム栓            | 2    |
| 50       |      | PS-0500102-KH | SPRING PIN 5.0X10            | スプリングピン        | 1    |

NOTE (注記) #01... SELECTIVE PARTS 選択部品

### 3. LOOPER SHAFT MECHANISM COMPONENTS

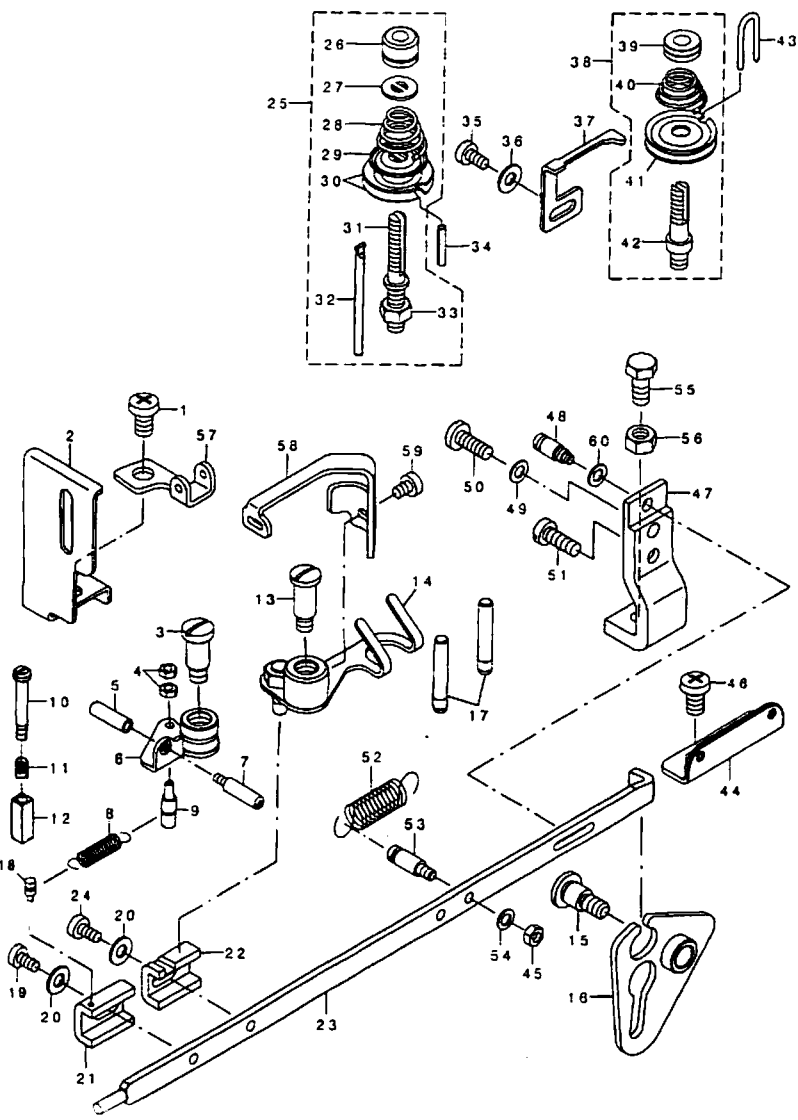
ルーバー軸関係



| REF. NO. | NOTE | PART NO.      | DESCRIPTION                    | QTY |
|----------|------|---------------|--------------------------------|-----|
| 1        |      | CS-079072A-TH | THRUST COLLAR ASM.             | 1   |
| 2        |      | CS-079072I-TH | THRUST COLLAR D=7.94 W=7       | (1) |
| 3        |      | SS-7090620-TP | SCREW 9/64-40 L=6.1            | (1) |
| 4        |      | SN-6040800-SP | SCREW                          | 1   |
| 5        |      | 400-38484     | NEEDLE GUARD                   | 1   |
| 6        |      | 260-13607     | POSITIONING FINGER YOKE SLIDE  | 1   |
| 7        |      | SM-1040950-TP | SCREW M4 L=9                   | 2   |
| 8        |      | 260-13409     | YOKE SLIDE INSERT              | 1   |
| 9        |      | 260-13805     | YOKE SLIDE                     | 1   |
| 10       |      | 400-38400     | ASSY LOOP POSITIONING FINGER L | 1   |
| 11       |      | 400-38403     | LOOP POSITIONING FINGER CAM RO | (1) |
| 12       |      | SD-0640246-SP | HINGE SCREW D=6.35 H=2.4       | 1   |
| 13       |      | SM-8061010-TP | SCREW                          | 1   |
| 14       |      | B1241-377-0B0 | THROAT PLATE SET               | 1   |
| 15       |      | B1241-377-0A0 | THROAT PLATE ASM.              | (1) |
| 16       |      | B2703-377-0A0 | THREAD BIND PLATE ASM.         | (1) |
| 17       |      | B2702-377-000 | THREAD BIND SUPPORT PLATE      | (1) |
| 18       |      | B2410-373-000 | COUNTER KNIFE                  | (1) |
| 19       |      | SS-7080310-SP | SCREW 1/8-44 L=3.0             | (2) |
| 20       |      | B2406-373-0A0 | MOVING KNIFE ASM.              | (1) |
| 21       |      | SD-0600095-TH | HINGE SCREW D=6 H=0.85         | (1) |
| 22       |      | 400-41106     | ASSY LOOP POSITIONING FINGER_C | 1   |
| 23       |      | 260-03103     | LOOP POSITIONING FINGER CAM    | (1) |
| 24       |      | SS-8110410-TP | SCREW 11/64-40 L=3.5           | (2) |
| 25       |      | 400-38482     | ASSY CAM AND LOOPER SLEEVE     | 1   |
| 26       |      | 260-15563     | CAM AND LOOPER SLEEVE          | (1) |
| 27       |      | SS-8150410-TP | SCREW 15/64-28 L=4.0           | (2) |
| 28       |      | B1228-372-000 | LOOP POSITIONING FINGER CAM RE | 1   |
| 29       |      | SS-8110310-SP | SCREW 11/64-40 L=2.8           | 2   |
| 30       |      | 260-15305     | LOOPER SHAFT BUSHING FRONT     | 1   |
| 31       |      | SM-8061010-TP | SCREW                          | 1   |
| 32       |      | 400-38111     | LOOPER SHAFT                   | 1   |
| 33       |      | CS-111101K-SH | THRUST COLLAR ASM. D=11.11 W=1 | 1   |
| 34       |      | CS-1111019-SH | THRUST COLLAR D=11.11 W=10     | (1) |
| 35       |      | SS-8660512-TP | SCREW 1/4-40 L=5               | (1) |
| 36       |      | SS-8660512-TP | SCREW 1/4-40 L=5               | (1) |
| 37       |      | B1224-372-0A0 | LOOPER SHAFT DRIVEN GEAR ASM.  | 1   |
| 38       |      | SS-8660612-TP | SCREW 1/4-40 L=6               | (2) |
| 39       |      | B1215-372-A00 | THRUST BALL BEARING            | 1   |
| 40       |      | 260-13102     | LOOPER SHAFT BUSHING REAR      | 1   |
| 41       |      | B1221-373-NA0 | WORN WHEEL ASM.                | 1   |
| 42       |      | B1221-373-R00 | WORN                           | (1) |
| 43       |      | SS-6660712-TP | SCREW 1/4-40 L=7.0             | (2) |
| 44       |      | B1220-372-000 | CAM SHAFT DRIVEN GEAR          | (1) |
| 45       |      | SS-8660612-TP | SCREW 1/4-40 L=6               | (2) |
| 46       |      | B1230-372-000 | LOOPER                         | 1   |
| 47       |      | SM-1040950-TP | SCREW M4 L=9                   | 1   |

# 4. NIPPER & THREAD TENSION PARTS COMPONENTS

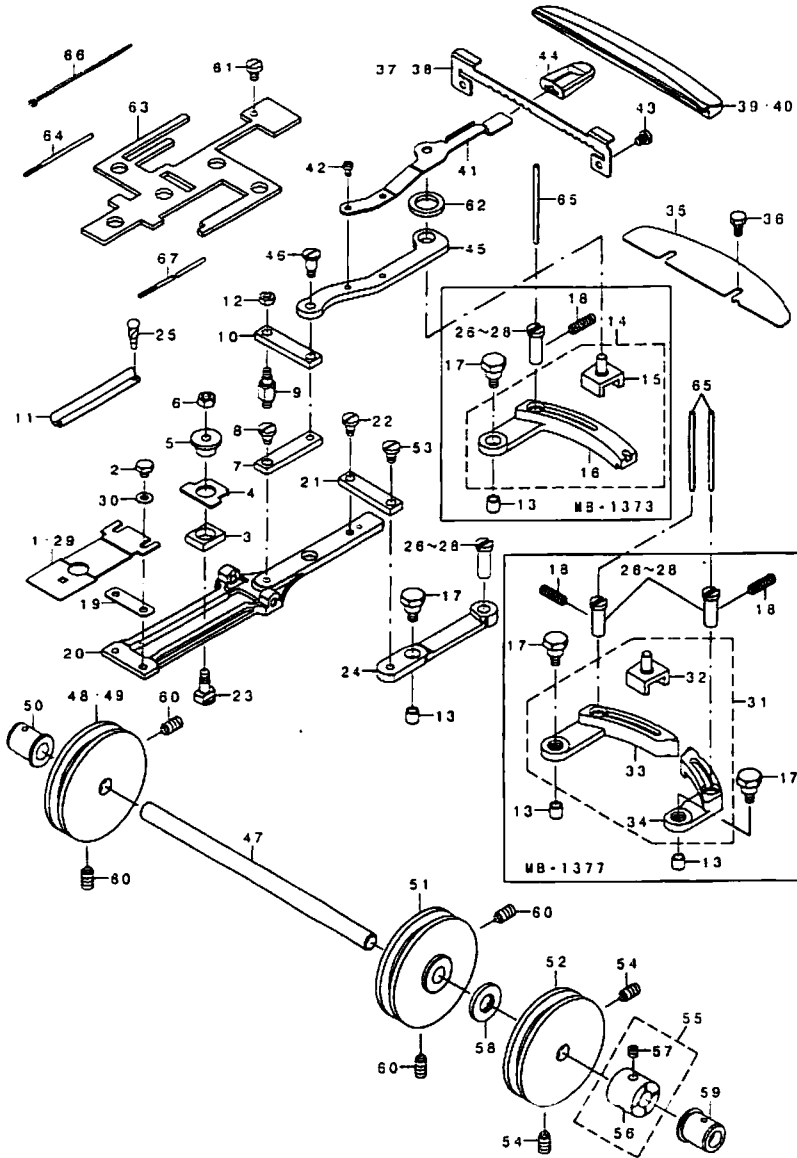
糸調子、ニッパー関係



| REF. NO. | NOTE | PART NO.      | DESCRIPTION                    | UNIT                 | QTY |
|----------|------|---------------|--------------------------------|----------------------|-----|
| 1        |      | SM-4061256-SP | SCREW M6 L=12                  | ナット M6 L=12          | 1   |
| 2        |      | 400-38205     | NEEDLE BAR GUARD               | 針棒ガード                | 1   |
| 3        |      | SD-0791276-TP | SHOULDER SCREW                 | ナット D=7.94 H=12.7    | 1   |
| 4        |      | NM-6030001-SN | NUT                            | ワッシャー                | 2   |
| 5        |      | 260-20602     | NUT                            | ナット (ワッシャー) ヲリ       | 1   |
| 6        |      | 260-00950     | NIPPER COMPL.                  | ニッパー (ワッシャー)         | 1   |
| 7        |      | 260-20503     | LOOPER SHAFT BUSHING REAR      | ニッパー (ワッシャー) ヲリ      | 1   |
| 8        |      | 400-41077     | NIPPER BAR BLOCK SPRING        | ニッパー (ワッシャー) ヲリ      | 1   |
| 9        |      | 400-38482     | NIPPER BAR BLOCK SPRING SCREW  | ニッパー (ワッシャー) ヲリ      | 1   |
| 10       |      | SD-0402001-TP | HINGE SCREW D=4 H=20           | ナット D=4 H=20         | 1   |
| 11       |      | 260-20404     | NIPPER SLIDE BLOCK SPRING      | ニッパー (ワッシャー) ヲリ      | 1   |
| 12       |      | 260-20305     | NIPPER BLOCK                   | ニッパー (ワッシャー) ヲリ      | 1   |
| 13       |      | SD-0791506-TP | SHOULDER SCREW D=7.94 H=15     | ナット D=7.94 H=15      | 1   |
| 14       |      | 400-38476     | THREAD PULL OFF LEVER ASM      | 糸調子オフレバー - 93        | 1   |
| 15       |      | SD-0790806-TP | SHOULDER SCREW D=7.94 H=8      | ナット D=7.94 H=8       | 1   |
| 16       |      | 260-00455     | NIPPER BAR ACTUATING LEVER ASM | ニッパー棒アクチュエーティングレバー   | 1   |
| 17       |      | 260-20206     | THREAD GUIDE PIN               | 糸調子ガイドピン             | 2   |
| 18       |      | 260-19406     | NIPPER BAR BLOCK SPRING PIN    | ニッパー棒ブロックスプリングピン     | 1   |
| 19       |      | SM-6040800-SP | SCREW                          | ワッシャー                | 1   |
| 20       |      | WP-0450801-SP | WASHER                         | ワッシャー                | 2   |
| 21       |      | 260-19307     | NIPPER BAR BLOCK               | ニッパー棒ブロック            | 1   |
| 22       |      | 260-19208     | TENSION LEVER ROCKING PIECE    | 糸調子レバー rocking piece | 1   |
| 23       |      | 400-38479     | NIPPER BAR                     | 糸調子棒                 | 1   |
| 24       |      | SM-6040800-SP | SCREW                          | ワッシャー                | 1   |
| 25       |      | 400-38208     | TENSION POST ASK NO.2          | ナット (ワッシャー) ヲリ       | 1   |
| 26       |      | 400-38214     | TENSION NUT                    | ワッシャー                | (1) |
| 27       |      | 229-21407     | ROTATION STOPPER               | 糸調子回転止               | (1) |
| 28       |      | 260-19901     | THREAD TENSION SPRING          | ナット (ワッシャー) ヲリ       | (1) |
| 29       |      | 260-20107     | THREAD TENSION DISK PRESSER    | 糸調子ディスクプレス           | (1) |
| 30       |      | 260-05207     | THREAD TENSION DISK NO.1       | ナット (ワッシャー) ヲリ       | (2) |
| 31       |      | 400-38210     | TENSION POST NO.2              | ナット (ワッシャー) ヲリ       | (1) |
| 32       |      | 260-19802     | TENSION RELEASE PIN            | 糸調子リリースピン            | (1) |
| 33       |      | NM-6060001-CP | NUT M6                         | ワッシャー M6             | (1) |
| 34       |      | PS-0300162-KH | SPRING PIN 3X16                | スプリングピン 3X16         | 1   |
| 35       |      | SM-6040800-SP | SCREW                          | ワッシャー                | 1   |
| 36       |      | WP-0450801-SP | WASHER                         | ワッシャー                | 1   |
| 37       |      | 260-19109     | THREAD TENSION RELEASING LEVER | 糸調子リリースレバー           | 1   |
| 38       |      | 400-38404     | ASSY_THREAD_TENSION_NO.1       | ナット (ワッシャー) ヲリ       | 1   |
| 39       |      | 400-38408     | THREAD TENSION NUT             | ワッシャー                | (1) |
| 40       |      | 260-05306     | FIRST THREAD TENSION SPRING    | ナット (ワッシャー) ヲリ       | (1) |
| 41       |      | 260-05207     | THREAD TENSION DISK NO.1       | ナット (ワッシャー) ヲリ       | (2) |
| 42       |      | 400-38405     | THREAD TENSION POST NO.1       | ナット (ワッシャー) ヲリ       | (1) |
| 43       |      | 260-19505     | THREAD GUIDE                   | ナット (ワッシャー) ヲリ       | 1   |
| 44       |      | 260-21402     | THREAD GUIDE NO.1              | ナット (ワッシャー) ヲリ       | 1   |
| 45       |      | NM-6040002-SN | NUT M4                         | ワッシャー M4X0.7 22mm    | 1   |
| 46       |      | SM-4061256-SP | SCREW M6 L=12                  | ナット M6 L=12          | 1   |
| 47       |      | 400-38396     | NIPPER BAR BEARING BLOCK       | 糸調子棒ベアリングブロック        | 1   |
| 48       |      | 400-38206     | ADJUSTING SCREW                | 糸調子調整ネジ              | 1   |
| 49       |      | WP-0550800-SP | WASHER 5.5X10X0.8              | ワッシャー 5.5X10X0.8     | 1   |
| 50       |      | SM-7051460-TP | SCREW M5 L=14                  | ナット M5 L=14          | 1   |
| 51       |      | SM-6051400-SP | SCREW                          | ワッシャー                | 1   |
| 52       |      | 260-19000     | THREAD TENSION SPRING          | 糸調子スプリング             | 1   |
| 53       |      | 400-38207     | NIPPER BAR SPRING SCREW        | 糸調子棒スプリングネジ          | 1   |
| 54       |      | WP-0450846-SP | WASHER                         | ワッシャー                | 1   |
| 55       |      | SM-9061403-CP | SCREW M6 L=14                  | ワッシャー                | 1   |
| 56       |      | NM-6060001-SE | NUT M6                         | ワッシャー M6 19mm        | 1   |
| 57       |      | 260-21105     | THREAD GUIDE                   | 糸調子ガイド               | 1   |
| 58       |      | 400-38320     | LEVER                          | 糸調子レバー               | 1   |
| 59       |      | SM-6040600-SP | SCREW M4 L=6                   | ワッシャー M4 L=6         | 1   |
| 60       |      | WP-0501016-SD | WASHER 5X10.5X1                | ワッシャー 5X10.5X1       | 1   |

# 5. FEED PLATE COMPONENTS

送り関係



| REF. NO. | NOTE | PART NO.        | DESCRIPTION                    | QTY.                |
|----------|------|-----------------|--------------------------------|---------------------|
| 1        |      | B2528-373-000   | FEED PLATE, SMALL BUTTON       | 1/292 949 (92-8 92) |
| 2        |      | S3-9120643-TP   | SCREW 3/16-28 L=6              | 1                   |
| 3        |      | 260-24604       | INDICATOR PIN BEARING BLOCK    | 1                   |
| 4        |      | 260-24001       | CROSSWISE FEED INDICATOR       | 1                   |
| 5        |      | 260-24703       | CROSSWISE FEED INDICATOR PIN   | 1                   |
| 6        |      | MB-0000001-LP   | RYT BS                         | 1                   |
| 7        |      | 400-38498       | SLIDE PLATE CONNECTING LINK    | 1                   |
| 8        |      | SD-0640461-SP   | HINGE SCREW D=6.35 W=4.8       | 1                   |
| 9        |      | 400-38499       | STUD                           | 1                   |
| 10       |      | 260-24208       | INTERMED. CONNECTING LINK      | 1                   |
| 11       |      | 400-4105X       | CROSSWISE FEED GROOVED PLATE   | 1                   |
| 12       |      | RM-6050001-SP   | RHT WS                         | 1                   |
| 13       |      | 260-23200       | CAM ROLL                       | 1                   |
| 14       |      | 400-41030       | LENGTHWISE FEED LEVER ARM ASSY | 1                   |
| 15       |      | 400-38438       | LENGTHWISE FEED LEVER SLIDE    | 1                   |
| 16       |      | 400-41028       | FEED LEVER STUB                | 1                   |
| 17       |      | 400-38496       | CAM ROLL SCREW STUD            | 1                   |
| 18       |      | SB-8061212-TP   | SCREW HELIX                    | 1                   |
| 19       |      | 260-25106       | SPACER PLATE                   | 1                   |
| 20       |      | B2528-373-000-A | FEED PLATE                     | 1                   |
| 21       |      | 260-24208       | INTERMED. CONNECTING LINK      | 1                   |
| 22       |      | SD-0640461-SP   | HINGE SCREW D=6.35 W=4.8       | 1                   |
| 23       |      | 400-38421       | SCREW HELIX                    | 1                   |
| 24       |      | 400-38432       | CROSSWISE FEED LEVER           | 1                   |
| 25       |      | B1161-127-000   | RIVET                          | 1                   |
| 26       |      | MB-1373         | FEED STUD A                    | 1                   |
| 27       |      | 400-41056       | FEED STUD B                    | 1                   |
| 28       |      | 400-41057       | FEED STUD C                    | 1                   |
| 29       |      | B2528-373-000-A | FEED PLATE, SMALLBUTTON        | 1                   |
| 30       |      | WP-0501016-SD   | WASHER SK10, SK1               | 1                   |
| 31       |      | MB-1377         | LENGTHWISE FEED LEVER ARM      | 1                   |
| 32       |      | 400-38439       | LENGTHWISE FEED LEVER SLIDE    | 1                   |
| 33       |      | 400-38432       | FEED LEVER L                   | 1                   |
| 34       |      | 400-38433       | FEED LEVER R                   | 1                   |
| 35       |      | 400-41061       | FEED KNOB GUIDE PLATE          | 1                   |
| 36       |      | SN-W052873-XL   | SCREW HEAD 8 L=6               | 1                   |
| 37       |      | 400-42279       | PLATE, BASE, (MB-1373)         | 1                   |
| 38       |      | 400-38436       | PLATE, BASE, (MB-1377)         | 1                   |
| 39       |      | 400-38313       | GRADUATE PLATE (MB-1373)       | 1                   |
| 40       |      | 400-38314       | GRADUATE PLATE (MB-1377)       | 1                   |
| 41       |      | 400-42281       | MARKER AND INDICATOR SPRING    | 1                   |
| 42       |      | SN-4040655-SP   | SCREW 84 L=6                   | 1                   |
| 43       |      | SN-4050855-SP   | SCREW 84 L=6                   | 1                   |
| 44       |      | 400-38442       | KNOB                           | 1                   |
| 45       |      | 400-40865       | INDICATOR SPRING CONNECTING LI | 1                   |
| 46       |      | SD-0640466-TP   | SHOULDER SCREW D=6.35 W=4.8    | 1                   |
| 47       |      | 400-38444       | CAM SHAFT                      | 1                   |
| 48       |      | 400-41032       | LENGTHWISE FEED CAM (X)        | 1                   |
| 49       |      | B2528-373-000-A | LONGITUDINAL FEED CAM          | 1                   |
| 50       |      | 260-22509       | CAM SHAFT BUSHING, LEFT        | 1                   |
| 51       |      | 260-22510       | CAM SHAFT BUSHING, RIGHT       | 1                   |
| 52       |      | 400-41075       | LONGITUDINAL FEED CAM A        | 1                   |
| 53       |      | SD-0640466-TP   | SHOULDER SCREW D=6.35 W=4.8    | 1                   |
| 54       |      | SS-8081412-TP   | SCREW 9/32-28 L=13.5           | 1                   |
| 55       |      | 400-40864       | THRUST COLLAR ASSY             | 1                   |
| 56       |      | 260-22511       | THRUST COLLAR                  | 1                   |
| 57       |      | SN-8060552-TP   | SCREW 86 L=5                   | 1                   |
| 58       |      | 400-42081       | SPACER                         | 1                   |
| 59       |      | 260-22400       | CAM SHAFT BUSHING, RIGHT       | 1                   |
| 60       |      | SS-8081412-TP   | SCREW 9/32-28 L=13.5           | 1                   |
| 61       |      | SN-0000001-SP   | SCREW 85 L=6                   | 1                   |
| 62       |      | 400-41045       | OIL RETAINING FELT             | 1                   |
| 63       |      | 400-41044       | FEED SHOULDER SCREW FELT       | 1                   |
| 64       |      | CO-2530000-00   | OIL WICK                       | 0.06                |
| 65       |      | CO-3000000-00   | OIL FELT                       | 0.06                |
| 66       |      | XX-0000001-00   | URLEK WELN                     | 0.06                |
| 67       |      | CO-2530000-00   | OIL WICK                       | 0.3                 |

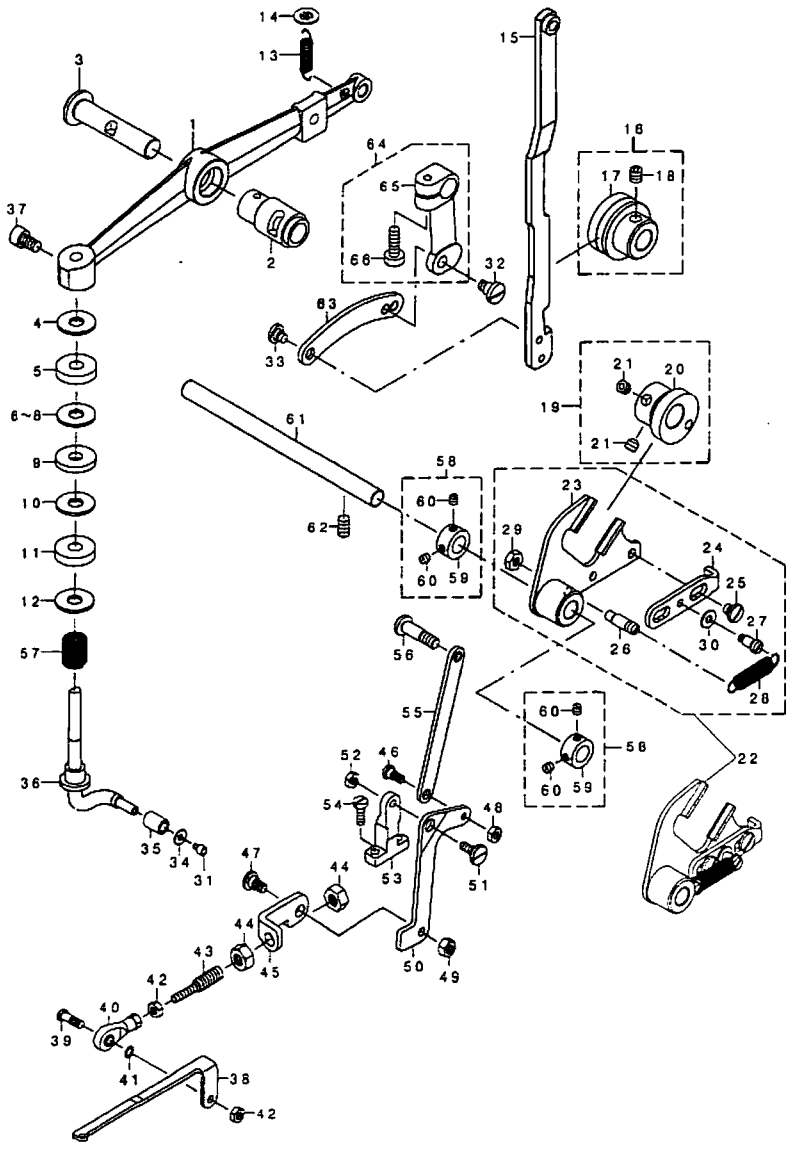
NOTE (注記)  
 #01... FOR MB-1377  
 #02... FOR MB-1373  
 #03... SELECTIVE PARTS

MB-1377用  
 MB-1373用  
 選択部品

# MB-1373,1377 No.1

## 6. BUTTON CLAMP LIFTER COMPONENTS

引き上げ関係

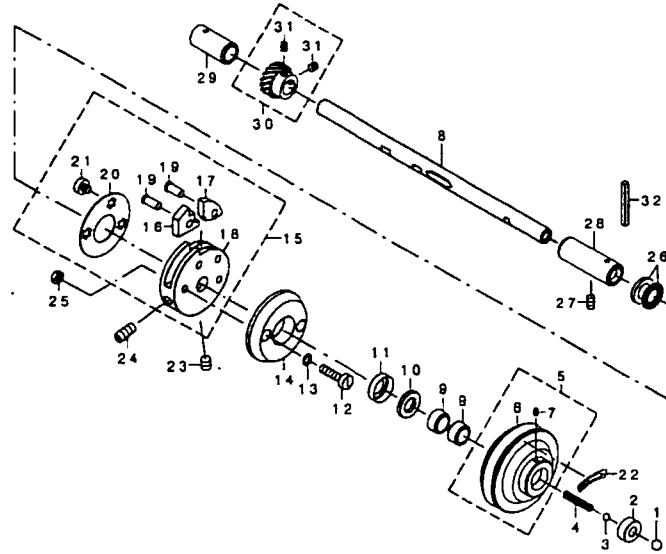


| REF. NO. | NOTE | PART NO.      | DESCRIPTION                   | 品名                    |
|----------|------|---------------|-------------------------------|-----------------------|
| 1        |      | 400-38119     | LIFTING LEVER                 | 引き上げレバー               |
| 2        |      | 260-18101     | BUSHING                       | ハブ                    |
| 3        |      | 400-38116     | NEEDLE BAR LEVER              | 針棒レバー                 |
| 4        |      | WP-0851216-SC | WASHER 8.5X18.0X1.2           | ワッシャー 8.5X18X1.2      |
| 5        |      | 84420-373-000 | CUSHION                       | クッション                 |
| 6        | 01   | WP-0851216-SC | WASHER 8.5X18.0X1.2           | ワッシャー 8.5X18X1.2      |
| 7        | 01   | WP-0751576-SD | WASHER 7.5X19X1.5             | ワッシャー 7.5X19X1.5      |
| 8        |      | 105-10808     | WASHER                        | ワッシャー                 |
| 9        |      | WP-0751576-SD | WASHER 7.5X19X1.5             | ワッシャー 7.5X19X1.5      |
| 10       |      | WP-0751576-SD | WASHER 7.5X19X1.5             | ワッシャー 7.5X19X1.5      |
| 11       |      | 84420-373-000 | CUSHION                       | クッション                 |
| 12       |      | WP-0703516-SP | WASHER 7X20X3.5               | ワッシャー 7X20X3.5        |
| 13       |      | 260-33407     | SPRING                        | スプリング                 |
| 14       |      | 260-33308     | WASHER                        | ワッシャー                 |
| 15       |      | 84411-372-000 | BUTTON CLAMP LIFTING LINK     | ボタンクランプ引き上げリンク        |
| 16       |      | 400-40982     | ASSY SLIDING ROLLER           | スライドローラー組立            |
| 17       |      | 400-40953     | SLIDING ROLLER                | スライドローラー              |
| 18       |      | SM-8060612-TP | SCREW M6 L=6                  | ビス M6 L=6             |
| 19       |      | 400-38321     | ECCENTRIC CAM                 | 偏心カム                  |
| 20       |      | 400-38398     | ECCENTRIC CAM                 | 偏心カム                  |
| 21       |      | SM-8060412-TP | SCREW                         | ビス M6 L=4             |
| 22       |      | 400-38146     | BUTTON CLAMP LIFTING LINK SET | ボタンクランプ引き上げリンクセット     |
| 23       |      | 400-40966     | BUTTON CLAMP LIFTING LINK     | ボタンクランプ引き上げリンク        |
| 24       |      | 400-38149     | LIFTING HOOK                  | 引き上げフック               |
| 25       |      | SD-0640276-TP | SHOULDER SCREW D=6.35 H=2.7   | ショルダービス D=6.35 H=2.7  |
| 26       |      | 400-40963     | THRUST SPRING RACK B          | スラストスプリングラック B        |
| 27       |      | SD-0500726-TP | SHOULDER SCREW D=5 H=7.2      | ショルダービス D=5 H=7.2     |
| 28       |      | 400-38160     | LIFTING HOOK SPRING           | 引き上げフックスプリング          |
| 29       |      | NW-6050001-SP | NUT M5                        | ナット M5X0.8 19         |
| 30       |      | WP-0410846-SC | WASHER                        | ワッシャー                 |
| 31       |      | SM-8030402-TP | SCREW M3X0.5 L=4              | ビス M3X0.5 L=4         |
| 32       |      | SD-0640481-SP | HINGE SCREW D=6.35 H=4.8      | ジョイントビス D=6.35 H=4.8  |
| 33       |      | SD-0640211-SP | HINGE SCREW D=6.35 H=2.1      | ジョイントビス D=6.35 H=2.1  |
| 34       |      | WP-0330501-SB | WASHER M3                     | ワッシャー M3              |
| 35       |      | 400-38283     | L TYPE LIFTING BAR ROLLER     | L型引き上げ棒ローラー           |
| 36       |      | 400-38502     | BUTTON CLAMP LIFTING ROD_A    | ボタンクランプ引き上げ棒 A        |
| 37       |      | SM-8061002-TP | SCREW M6 L=10                 | ビス M6 L=10            |
| 38       |      | 400-38428     | CONNECTING LINK_FRONT         | 接続リンクフロント             |
| 39       |      | 260-22202     | JOINT STUD                    | ジョイントスタッド             |
| 40       |      | B1632-180-000 | FEED ADJUSTING JOINT          | 送り調整ジョイント             |
| 41       |      | WP-0510516-SD | WASHER 5.1X7.5X0.5            | ワッシャー 5.1X7.5X0.5     |
| 42       |      | NW-6050001-SP | NUT M5                        | ナット M5X0.8 19         |
| 43       |      | 400-38219     | CONNECTING SCREW              | 接続スクリュー               |
| 44       |      | NW-0080021-SP | NUT M8 TYPE1                  | ナット M8 19             |
| 45       |      | 400-38429     | CONNECTING LINK_REAR          | 接続リンクリア               |
| 46       |      | SB-0640323-TP | HINGE SCREW D=6.35 H=3.2      | ジョイントビス D=6.35 H=3.2  |
| 47       |      | SD-0790402-TP | HINGE SCREW D=7.94 H=4        | ジョイントビス D=7.94 H=4    |
| 48       |      | NS-0620310-SP | NUT 3/16-32                   | ナット 3/16-32           |
| 49       |      | NS-8150310-SP | NUT 15/64-28                  | ナット 15/64-28          |
| 50       |      | 400-38397     | THREAD TRIMMING LEVER         | スレッドトリミングレバー          |
| 51       |      | SB-0790316-TP | SHOULDER SCREW D=7.94 H=3.1   | ショルダービス D=7.94 H=3.1  |
| 52       |      | NW-6050001-SP | NUT M5                        | ナット M5X0.8 19         |
| 53       |      | 400-38495     | THREAD TRIM LEVER_BASE        | スレッドトリミングレバーベース       |
| 54       |      | SM-7051460-TP | SCREW M5 L=14                 | ビス M5 L=14            |
| 55       |      | 260-21709     | THREAD TRIMMING LINK          | スレッドトリミングリンク          |
| 56       |      | SB-0641322-TP | HINGE SCREW D=6.35 H=13.2     | ジョイントビス D=6.35 H=13.2 |
| 57       |      | 260-33605     | SPRING                        | スプリング                 |
| 58       |      | CS-0850810-SH | THRUST COLLAR ASW. D=9.5 W=8  | スラストカラー D=9.5 W=8     |
| 59       |      | CS-0850816-SH | THRUST COLLAR D=9.5 W=8       | スラストカラー D=9.5 W=8     |
| 60       |      | SS-8110410-TP | SCREW 11/64-40 L=3.5          | ビス 11/64-40 L=3.5     |
| 61       |      | 400-38445     | LEVER SHAFT                   | レバーシャフト               |
| 62       |      | SM-8061010-TP | SCREW                         | ビス M6 L=10            |
| 63       |      | 260-32508     | LIFTING LINK                  | 引き上げリンク               |
| 64       |      | 400-38414     | LIFTING PLATE GUIDE ROD_ASW   | 引き上げプレートガイドロッド        |
| 65       |      | 400-38413     | LIFTING PLATE GUIDE ROD       | 引き上げプレートガイドロッド        |
| 66       |      | SM-6051600-SP | SCREW M5 L=16                 | ビス M5 L=16            |

NOTE (注記) 01...SELECTIVE PARTS(USE OF ONE PARTS) 選択部品 (いずれか一個使用)

## 7. NEEDLE DRIVING PULLEY SHAFT COMPONENTS

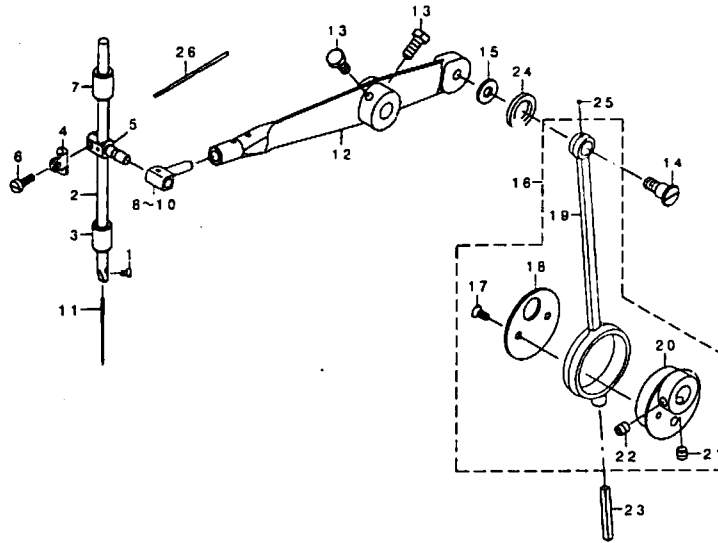
駆動軸関係



| REF. NO. | NOTE | PART NO.      | DESCRIPTION                    | QTY. |
|----------|------|---------------|--------------------------------|------|
| 1        |      | 81203-372-000 | BALL LARGE                     | 1    |
| 2        |      | 260-12401     | PULLEY INSERT                  | 1    |
| 3        |      | 400-38203     | BALL SMALL                     | 1    |
| 4        |      | 260-12500     | SPRING                         | 1    |
| 5        |      | 400-38169     | DRIVING PULLEY ASM.            | 1    |
| 6        |      | 400-38175     | DRIVING PULLEY                 | (1)  |
| 7        |      | SM-8040612-TP | SCREW M4 L=6                   | (1)  |
| 8        |      | 400-38449     | NEEDLE DRIVING PULLEY SHAFT    | 1    |
| 9        |      | 81243-372-000 | NEEDLE BEARING                 | 2    |
| 10       |      | 260-12809     | GREASE RETAINING WICK          | 1    |
| 11       |      | 260-12708     | RELATING WASHER                | 1    |
| 12       |      | SM-6062450-TP | SCREW M5 L=23.5                | 2    |
| 13       |      | 87-0621028-SP | WASHER 6.219.5X1               | 2    |
| 14       |      | 81208-372-000 | NEEDLE DRIVING PULLEY CLUTCH D | 1    |
| 15       |      | 400-38137     | STOP MOTION DISC ASM.          | 1    |
| 16       |      | 400-38135     | STOP MOTION DISC LATCH A       | (1)  |
| 17       |      | 400-38136     | STOP MOTION DISC LATCH B       | (1)  |
| 18       |      | 400-38138     | STOP MOTION DISC               | (1)  |
| 19       |      | 400-38139     | STOP MOTION PAWL SHAFT         | (2)  |
| 20       |      | 400-38140     | STOP MOTION DISC WASHER        | (1)  |
| 21       |      | SM-6060550-TP | SCREW M6 L=4.5                 | (1)  |
| 22       |      | CM-5002000-01 | DIRECTION LABEL.               | 1    |
| 23       |      | SM-8080812-TP | SCREW HEXA                     | 1    |
| 24       |      | SM-8081752-TP | SCREW M5 L=17                  | 1    |
| 25       |      | SM-6040003-SP | NUT M5 TYPES                   | 2    |
| 26       |      | 81215-372-000 | THREASY BALL BEARING           | 1    |
| 27       |      | SM-8061010-TP | SCREW                          | 1    |
| 28       |      | 400-38461     | PULLEY SHAFT BUSHING RIGHT     | 1    |
| 29       |      | 400-42148     | PULLEY SHAFT BUSHING LEFT      | 1    |
| 30       |      | 81217-372-00A | DRIVING GEAR (A) ASM.          | 1    |
| 31       |      | SM-8660612-TP | SCREW 1/4-40 L=6               | (2)  |
| 32       |      | 260-18309     | OIL WICK                       | 1    |

## 8. NEEDLE BAR DRIVING MECHANISM COMPONENTS

### 針棒関係



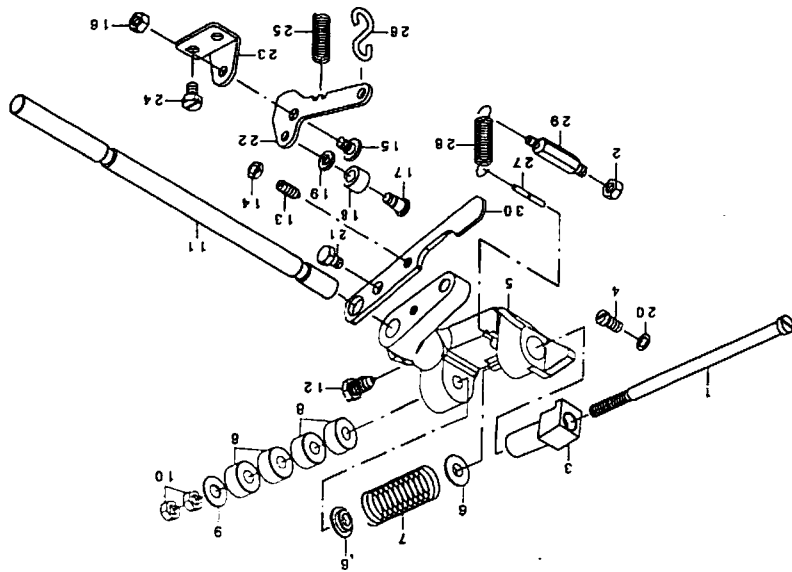
| REF. NO. | NOTE | PART NO.      | DESCRIPTION               | QTY. | UNIT |
|----------|------|---------------|---------------------------|------|------|
| 1        |      | SS-7080510-TP | SCREW 1/8-44 L=4.5        | 1    | 個    |
| 2        |      | 146-06107     | NEEDLE ROD                | 1    | 本    |
| 3        |      | 260-17707     | NEEDLE BAR BUSHING LOWER  | 1    | 個    |
| 4        |      | 400-40951     | NEEDLE BAR BALANCE        | 1    | 個    |
| 5        |      | 400-40952     | NEEDLE BAR CLAMP          | 1    | 個    |
| 6        |      | SM-6041200-SP | SCREW M4 L=12             | 1    | 個    |
| 7        |      | 400-38142     | NEEDLE BAR BUSHING UPPER  | 1    | 個    |
| 8        | #01  | 400-38120     | NEEDLE BAR SLIDE BLOCK A  | 1    | 個    |
| 9        | #01  | 400-38121     | NEEDLE BAR SLIDE BLOCK B  | 1    | 個    |
| 10       | #01  | 400-38122     | NEEDLE BAR SLIDE BLOCK C  | 1    | 個    |
| 11       |      | NTQ-10081600  | NEEDLE TQX1 #16           | 1    | 個    |
| 12       |      | 400-38117     | NEEDLE BAR DRIVING LEVER  | 1    | 個    |
| 13       |      | SM-9061403-CP | SCREW M6 L=14             | 2    | 個    |
| 14       |      | SD-0950804-TP | SHOULDER SCREW D=9.53 H=8 | 1    | 個    |
| 15       |      | 260-18705     | WASHER                    | 1    | 個    |
| 16       |      | 260-18457     | CRANK ROD ASM.            | 1    | 個    |
| 17       |      | SS-2110820-TP | SCREW 11/64-40 L=8.5      | (2)  | 個    |
| 18       |      | 260-18606     | THRUST HOLDER             | (1)  | 個    |
| 19       |      | 260-18408     | CRANK ROD                 | (1)  | 個    |
| 20       |      | 260-18507     | ECCENTRIC CAM             | (1)  | 個    |
| 21       |      | SS-8660612-TP | SCREW 1/4-40 L=6          | (1)  | 個    |
| 22       |      | SS-8660942-TP | SCREW 1/4-40 L=8.5        | (1)  | 個    |
| 23       |      | 260-18309     | OIL WICK                  | 1    | 個    |
| 24       |      | 400-41045     | OIL RETAINING FELT        | 1    | 個    |
| 25       |      | CQ-2500000-FD | OIL WICK                  | 0.01 | 個    |
| 26       |      | CQ-2020000-00 | OIL WICK                  | 0.1  | 個    |

NOTE (注記) #01...SELECTIVE PARTS

選択部品

9. STOP MOTION MECHANISM COMPONENTS

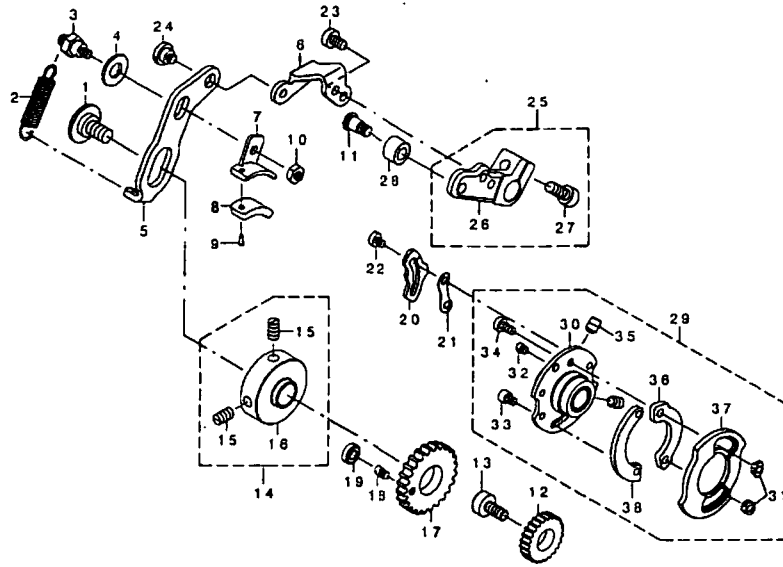
遮断装置関係



| REF. NO. | NOTE | PART NO.        | DESCRIPTION                    |
|----------|------|-----------------|--------------------------------|
| 1        |      | 280-27805       | STOP MOTION PLUNGER ROD        |
| 2        |      | 78-606003-S2    | NUT M6 TPE23                   |
| 3        |      | 400-38118       | CROSSING HOOK                  |
| 4        |      | 58-6061150-TP   | SCREEN M6 L-11                 |
| 5        |      | 82602-272-000-A | STOP MOTION PLUNGER LEVER      |
| 6        |      | 282-29104       | WASHER                         |
| 7        |      | 400-38110       | STOP MOTION SPRING             |
| 8        |      | 82604-280-000   | RUBBER CUSHION                 |
| 9        |      | 260-30601       | WASHER                         |
| 10       |      | NS-689410-SF    | NUT M/32-28                    |
| 11       |      | 400-38448       | STOP MOTION SHAFT              |
| 12       |      | 400-42437       | SCREEN                         |
| 13       |      | SS-61515170-SF  | SCREEN 15/64-28 L=15.0         |
| 14       |      | NS-6150310-SF   | NUT 15/64-28                   |
| 15       |      | SO-0880276-TP   | SHOULDER SCREEN D=8.8 B=2.7    |
| 16       |      | NS-606001-CP    | NUT M6                         |
| 17       |      | SS-0710706-TP   | SHOULDER SCREEN D=7.14 H=7     |
| 18       |      | 260-29207       | STITCH ADJUSTING ROLLER        |
| 19       |      | WF-0612066-SF   | WASHER 6.1X11X2                |
| 20       |      | 260-19604       | WASHER                         |
| 21       |      | NS-8081003-CP   | SCREEN M6 L-10                 |
| 22       |      | 400-38160       | STOP MOTION TRIP LEVER         |
| 23       |      | 260-28308       | STOP MOTION TRIP LEVER BRACKET |
| 24       |      | SM-9061250-TP   | SCREEN M6 L-12                 |
| 25       |      | 229-24906       | OIL REGULATOR SCREEN SPRING    |
| 26       |      | 131-60304       | S SHAFTS HOOK                  |
| 27       |      | 260-28001       | STOP MOTION LEVER SPRING PIN   |
| 28       |      | 400-38410       | STOP MOTION LEVER SPRING       |
| 29       |      | 400-40840       | SCREEN STD                     |
| 30       |      | 82611-373-000   | PRESSURE APPLYING LEVER        |

# 10. STITCH SELECTING PARTS COMPONENTS

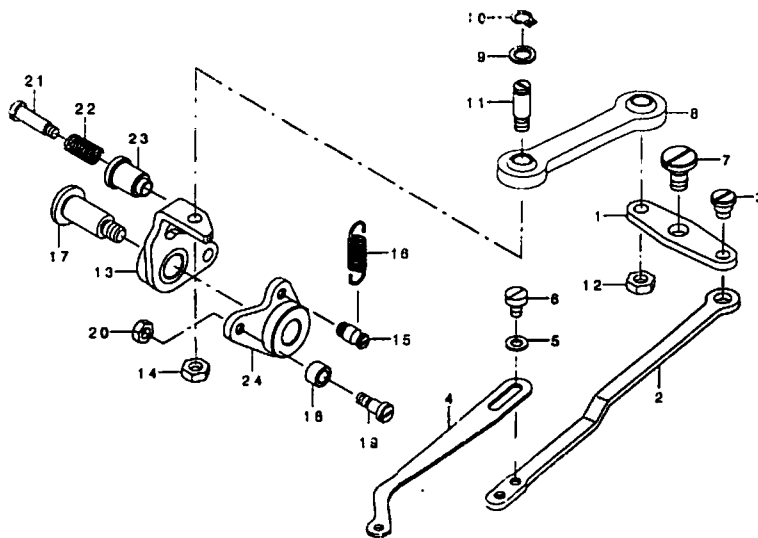
## 針數調節關係



| REF. NO. | NOTE | PART NO.        | DESCRIPTION  | QTY |
|----------|------|-----------------|--|-----|
| 1        |      | 50-1370344-TP   | SHOULDER SCREW D=12.7 H=3.4                            | 1   |
| 2        |      | 160-30304       | SPRING FOR FRICTION PLATE                              | 1   |
| 3        |      | 160-30007       | FRICTION PLATE ROTATING SHAFT                          | 1   |
| 4        |      | 00-0650002-SP   | WASHER 8.5X11X1.6                                      | 1   |
| 5        |      | 160-30508       | SPEED SLOWING LEVER                                    | 1   |
| 6        |      | 200-21805       | FITTING PLATE  | 1   |
| 7        |      | 180-30106       | FRICTION PLATE HOLDER                                  | 1   |
| 8        |      | 12640-372-000   | SPEED SLOWING FRICTION PLATE                           | 1   |
| 9        |      | 83111-332-000   | POSITIONING PIN  | 1   |
| 10       |      | 22-6110310-SP   | WUT 11/64-40   | 1   |
| 11       |      | 50-0710100-TP   | SHOULDER SCREW D=12.7 H=3.4                            | 1   |
| 12       |      | 13129-372-000   | STITCH SELECTING SPUR GEAR, W/ INTERMEDIATE GEAR SHAFT | 1   |
| 13       |      | 400-40943       | ASST. SPEED SLOWING FRICTION, W/ SCREW                 | 1   |
| 14       |      | 400-40943       | ASST. SPEED SLOWING FRICTION, W/ SCREW                 | 1   |
| 15       |      | 50-8061010-TP   | SHOULDER SCREW D=12.7 H=3.4                            | 1   |
| 16       |      | 400-40944       | SCREW  | 1   |
| 17       |      | 82830-372-000-A | GEAR, LARGE  | 1   |
| 18       |      | 13831-372-000   | SCREW  | 1   |
| 19       |      | 13832-372-000-A | ROLLER   | 1   |
| 20       |      | 400-40946       | THREAD BIRD NOTCH                                      | 1   |
| 21       |      | 160-30009       | SPRINGER   | 1   |
| 22       |      | 50-6040560-TP   | SCREW H410, 5 L=4.5                                    | 2   |
| 23       |      | 10-6040800-SP   | SCREW H5 L=4   | 2   |
| 24       |      | 10-0400341-SP   | HINGE SCREW D=8 H=3.4                                  | 1   |
| 25       |      | 400-18268       | STITCH ADJUSTING ARM ASM.                              | 1   |
| 26       |      | 400-38277       | STITCH ADJUSTING ARM                                   | 1   |
| 27       |      | 10-6001603-TP   | SCREW H6 L=16  | (1) |
| 28       |      | 160-19207       | STITCH ADJUSTING ROLLER                                | 1   |
| 29       |      | 400-41046       | STITCH ADJUSTING CAR A ASST.                           | 1   |
| 30       |      | 400-41054       | STITCH ADJUSTING CAR A ASM.                            | (1) |
| 31       |      | 400-41056       | WUT  | (1) |
| 32       |      | 400-38204       | SCREW  | (1) |
| 33       |      | 50-6040502-TP   | SCREW H410, 7 L=5                                      | (1) |
| 34       |      | 50-6040800-SP   | SCREW H5 L=4   | (2) |
| 35       |      | 10-0400113-TP   | SCREW H6 L=8   | (2) |
| 36       |      | 400-41048       | SPRINGER   | (1) |
| 37       |      | 400-41049       | STITCH CAR A   | (1) |
| 38       |      | 400-41051       | STOP MOTION CAR SHOE                                   | (1) |

# 11. THREAD BIND NOTCH COMPONENTS (FOR MB-1377)

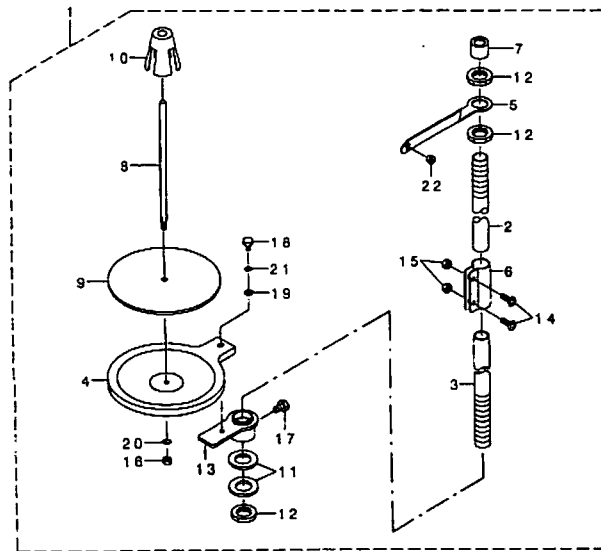
糸結び関係 (MB-1377用)



| REF. NO. | NOTE | PART NO.      | DESCRIPTION                 | レボ                | QTY |
|----------|------|---------------|-----------------------------|-------------------|-----|
| 1        |      | 400-38488     | THREAD BIND LEVER           | 糸結びレバ             | 1   |
| 2        |      | 400-38452     | CONNECTING_PLATE_LARGE      | 糸結びレバコネクティングプレート  | 1   |
| 3        |      | SD-0640328-TP | SHOULDER SCREW D=6.35 H=3.2 | ダンネツ D=6.35 H=3.2 | 1   |
| 4        |      | 400-38486     | CONNECTING_PLATE_SMALL      | 糸結びレバコネクティングプレート  | 1   |
| 5        |      | WP-0430800-SD | WASHER M4                   | ワッシャ M4           | 2   |
| 6        |      | SM-6040650-TP | SCREW                       | ビス M4 L=6         | 2   |
| 7        |      | SD-0720336-SP | SHOULDER SCREW              | ダンネツ              | 1   |
| 8        |      | D2509-282-A00 | WORK CAMP FOOT BALL LINK    | ワークキャンプボールリンク     | 1   |
| 9        |      | 400-38489     | THREAD_BIND_LINK_SHAFT      | 糸結びリンクシャフト        | 2   |
| 10       |      | WP-0621026-SP | WASHER 6.2X9.5X1            | ワッシャ M6.2 X9.5 X1 | 2   |
| 11       |      | RC-0560711-KP | RETAINING RING              | キャッチリング           | 2   |
| 12       |      | NM-6050001-SP | NUT M5                      | ワッシャ M5X0.8 17mm  | 1   |
| 13       |      | 400-38456     | THREAD_BIND_ARM_B           | 糸結びアーム B          | 1   |
| 14       |      | NM-6050001-SP | NUT M5                      | ワッシャ M5X0.8 17mm  | 1   |
| 15       |      | 400-38494     | THREAD_BIND_ARM_SPRING RAC  | 糸結びアームスプリング       | 1   |
| 16       |      | 288-17103     | SPRING                      | 糸結びスプリング          | 1   |
| 17       |      | SD-0901806-TP | SHOULDER SCREW              | ダンネツ D=9 H=18     | 1   |
| 18       |      | 260-17301     | ROLLER                      | 糸結びローラー           | 1   |
| 19       |      | SD-0460576-TP | SHOULDER SCREW D=4.6 H=5.7  | ダンネツ D=4.6 H=5.7  | 1   |
| 20       |      | NM-6040001-SP | NUT M4X0.7                  | ワッシャ M4X0.7 17mm  | 1   |
| 21       |      | SD-0481456-TP | SHOULDER SCREW D=4.8 H=14.5 | ダンネツ D=4.8 H=14.5 | 1   |
| 22       |      | 400-38306     | SPRING                      | 糸結びスプリング          | 1   |
| 23       |      | 400-38305     | STITCH ADJUSTING CAM KNOB   | 糸結びスチッチ調整カムノブ     | 1   |
| 24       |      | 400-38455     | ASS_THREAD_BIND_ARM_A       | 糸結びアーム A          | 1   |

## 12. THREAD STAND COMPONENTS

糸立装置関係

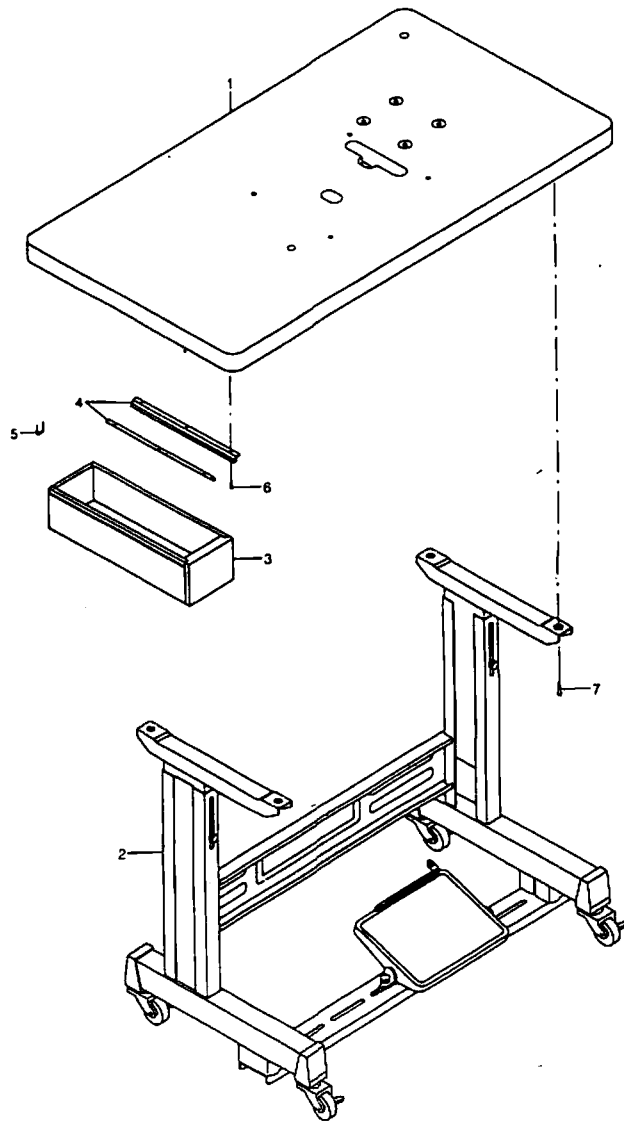


| REF. NO. | NOTE | PART NO.      | DESCRIPTION                   | Quantity |
|----------|------|---------------|-------------------------------|----------|
| 1        |      | 260-08359     | THREAD STAND ASM.             | 1        |
| 2        |      | 229-30408     | SPOOL REST ROD, UPPER         | (1)      |
| 3        |      | 229-30309     | SPOOL REST ROD, LOWER         | (1)      |
| 4        |      | 260-08300     | THREAD STAND HOLDER PLATE     | (1)      |
| 5        |      | 260-08409     | THREAD RAISING THREAD GUIDE A | (1)      |
| 6        |      | 229-31307     | SPOOL REST ROD JOINT          | (1)      |
| 7        |      | 229-31406     | SPOOL REST ROD RUBBER CAP     | (1)      |
| 8        |      | 229-31000     | SPOOL PIN                     | (1)      |
| 9        |      | 229-30903     | SPOOL REST CUSHION            | (1)      |
| 10       |      | 229-31109     | SPOOL RETAINER                | (1)      |
| 11       |      | WP-1612616-SE | WASHER 16X30X2.6              | (2)      |
| 12       |      | NM-6160511-SE | NUT M16X1.5                   | (3)      |
| 13       |      | 260-08557     | SPOOL REST BRACKET ASM        | (1)      |
| 14       |      | SM-4051405-SE | SCREW M5 L=14                 | (2)      |
| 15       |      | NM-6050001-SE | NUT M5                        | (2)      |
| 16       |      | NM-6050001-SE | NUT M5                        | (1)      |
| 17       |      | SM-9061080-SE | SCREW M6 L=10                 | (1)      |
| 18       |      | SM-9050813-SE | SCREW M5X0.8 L=8              | (1)      |
| 19       |      | WP-0520656-SA | WASHER 5.2X9.5X0.6            | (1)      |
| 20       |      | WS-0510002-KN | SPRING WASHER                 | (1)      |
| 21       |      | WS-0521010-KN | SPRING WASHER 5.2X8.2X1       | (1)      |
| 22       |      | 229-31208     | THREAD GUIDE                  | (1)      |

# MB-1373,1377 No.2

## 13. TABLE & STAND COMPONENTS

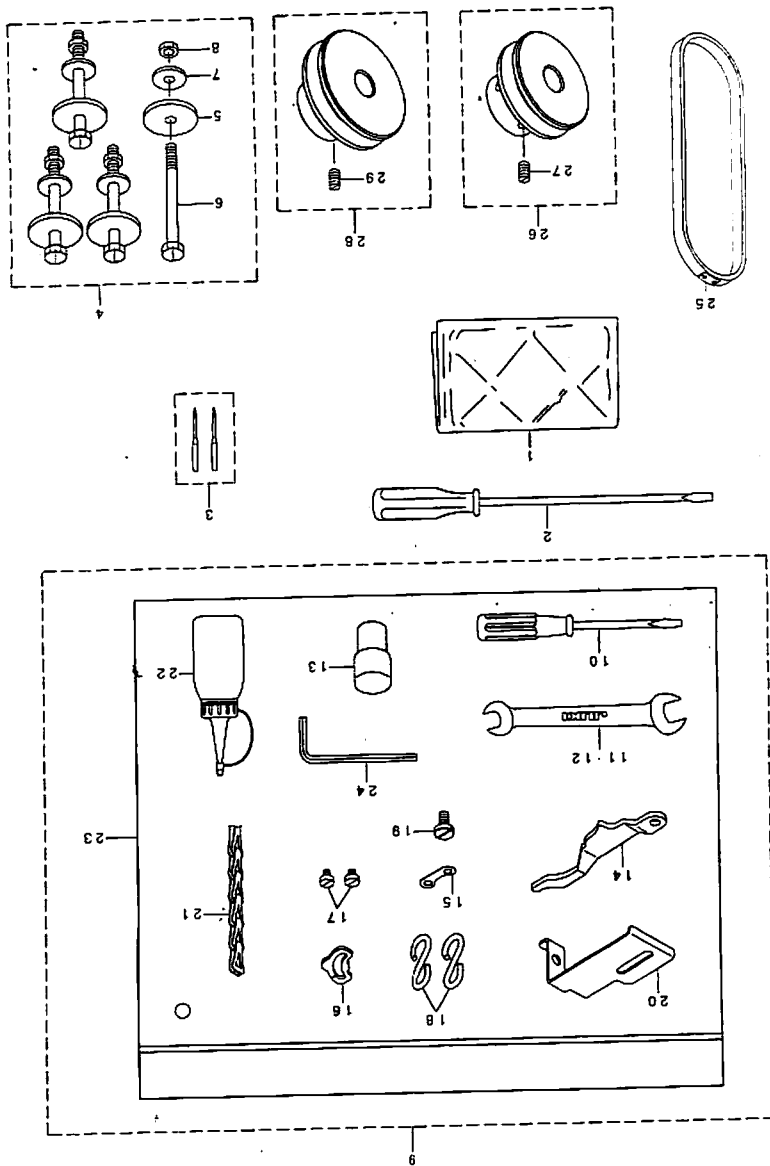
脚卓関係



| REF. NO. | NOTE | PART NO.      | DESCRIPTION           | QTY. |
|----------|------|---------------|-----------------------|------|
| 1        |      | 400-40971     | TABLE                 | 1    |
| 2        |      | 111-59365     | T STAND JUNCTION      | 1    |
| 3        |      | 111-55108     | DRAWER                | 1    |
| 4        |      | 111-55207     | DRAWER SUPPORT        | 2    |
| 5        |      | D8204-555-D00 | DRAWER STOPPER        | 1    |
| 6        |      | SK-3311600-SE | WOOD SCREW D=3.1 L=15 | 6    |
| 7        |      | SK-3483200-SE | WOOD SCREW D=4.8 L=32 | 4    |

14. ACCESSORIE PARTS COMPONENTS

付属品関係

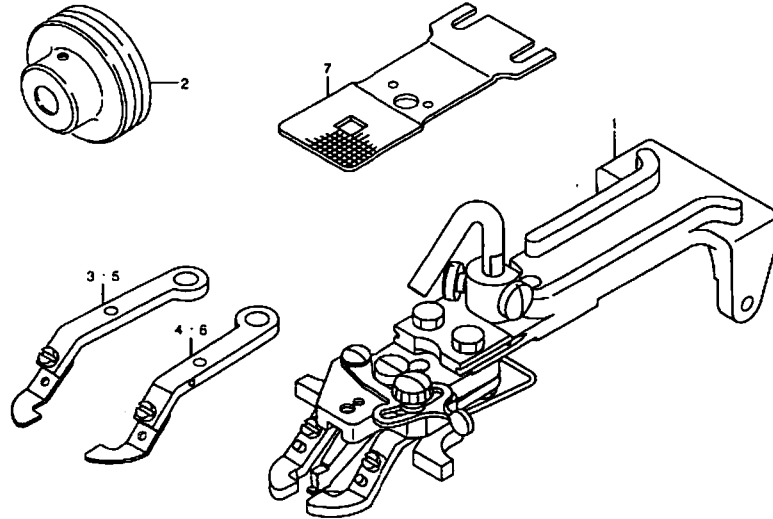


REF. NO. PART NO. DESCRIPTION

|     |                      |                                  |
|-----|----------------------|----------------------------------|
| 1   | 225-33303            | VINYL COVER                      |
| 1   | 229-33006            | SCREW DRIVER, LARGE              |
| 1   | 400-41072            | BASE SCREW SET                   |
| 4   | 400-38174            | RUBBER CUSHION                   |
| (4) | SS-915830-SF         | SCREW 15/64-28 L-68              |
| (4) | WASHER 6.1X18.5X2    |                                  |
| (4) | NUT 15/64-28         |                                  |
| (4) | ACCESSORIE BAG, ASM. |                                  |
| 9   | 400-41073            | ACCESSORIE BAG, ASM.             |
| 10  | 229-31105            | SCREW DRIVER, MIDDLE             |
| 11  | 260-34702            | WRENCH                           |
| 12  | 260-34801            | WRENCH                           |
| 13  | 400-33327            | FRAME SUPPORT BAR                |
| 14  | 400-38458            | STITCH NUMBER LEVER              |
| (1) | 260-30809            | SPACER                           |
| 15  | 400-40846            | THREAD BONE NOTCH                |
| (2) | SM-6040560-TP        | SCREW WAXO, S L=4.5              |
| 17  | 131-60304            | S SHAPED HOOK                    |
| 18  | SM-0603046-TP        | SHOULDER SCREW D=6 H=3.4         |
| (1) | 400-38205            | NEEDLE BAR GUARD                 |
| 20  | 260-37903            | CHAIN                            |
| 21  | 11067-000-000        | OILER                            |
| (1) | 228-32800            | ACCESSORIE BAG                   |
| 23  | 400-55581            | HEXAGONAL WRENCH KEY             |
| 24  | MTJ-VW00000C         | V ROPE 820MM (LACING)            |
| 25  | 400-38286            | MOTOR PULLEY GOHZ, 1300RPM, ASM. |
| 27  | SM-8061010-TP        | MOTOR PULLEY GOHZ, 1300RPM, ASM. |
| 28  | 400-38285            | MOTOR PULLEY GOHZ, 1300RPM, ASM. |
| 29  | SM-8061010-TP        | MOTOR PULLEY GOHZ, 1300RPM, ASM. |

# 15. SPECIAL ORDER SPEC COMPONENTS

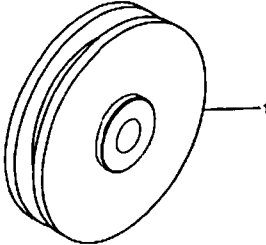
特別仕様関係



| REF. NO. | NOTE | PART NO.        | DESCRIPTION                    | 数量 | Qty. |
|----------|------|-----------------|--------------------------------|----|------|
| 1        |      | WAZ-201010AD    | PICK-UP DEVICE ASM. L BUTTON   | 1  | 1    |
| 2        |      | 400-38290       | MOTOR PULLEY 50HZ 1500RPM ASM  | 1  | 1    |
| 3        |      | B2556-372-0AA   | BUTTON CLAMP JAW LEVER ASM., L | 1  | 1    |
| 4        |      | B2558-372-0AA   | BUTTON CLAMP JAW LEVER ASM., R | 1  | 1    |
| 5        |      | D2556-372-CAA   | BUTTON CLAMP JAW LEVER ASM., L | 1  | 1    |
| 6        |      | D2558-372-CAA   | BUTTON CLAMP JAW LEVER ASM., R | 1  | 1    |
| 7        |      | D2529-373-C00-A | FEED PLATE, LARGE BUTTON       | 1  | 1    |

16. SUBCLASS COMPONENTS (FOR MB-1373-11)

サブクラス関係 (MB-1373-11用)



| QTY. | UNIT | PART NO.  | DESCRIPTION            | REV.         | QTY. |
|------|------|-----------|------------------------|--------------|------|
| 1    |      | 400-41032 | LENGTHWISE_FEED_CAN(X) | REV 1999A(X) | 1    |