

JUKI®

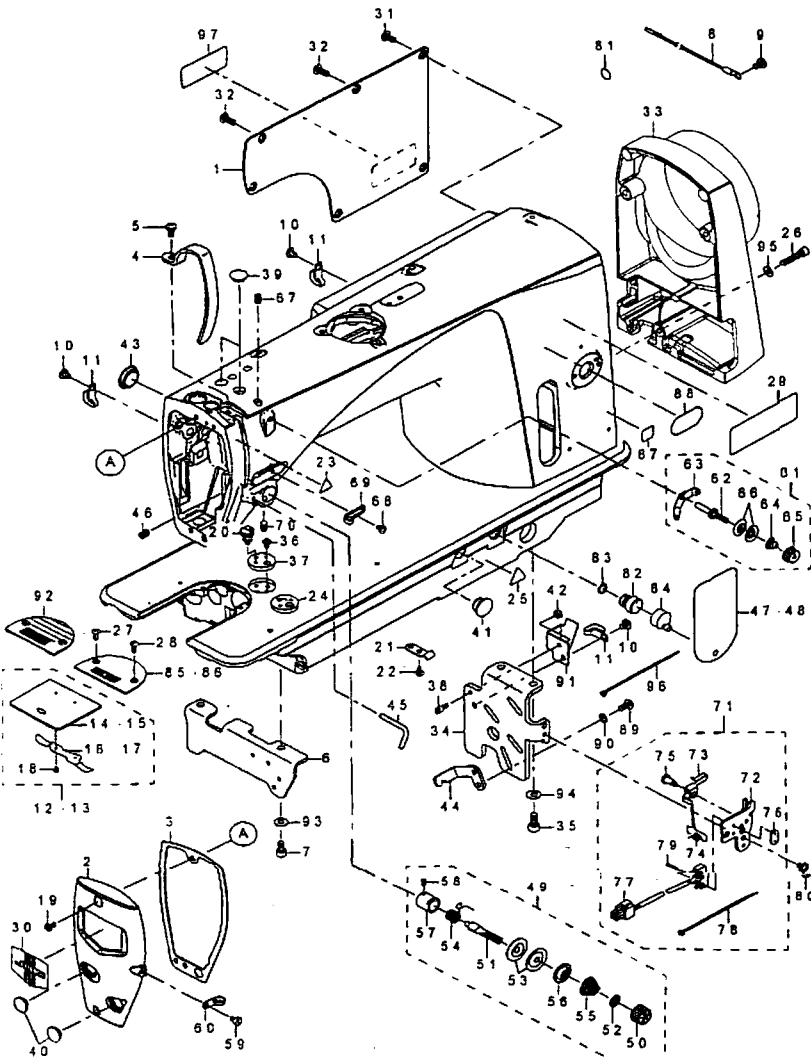
Direct-drive, High-speed, Lockstitch Machine
with an Automatic Thread Trimmer

DDL-9000B

PARTS LIST

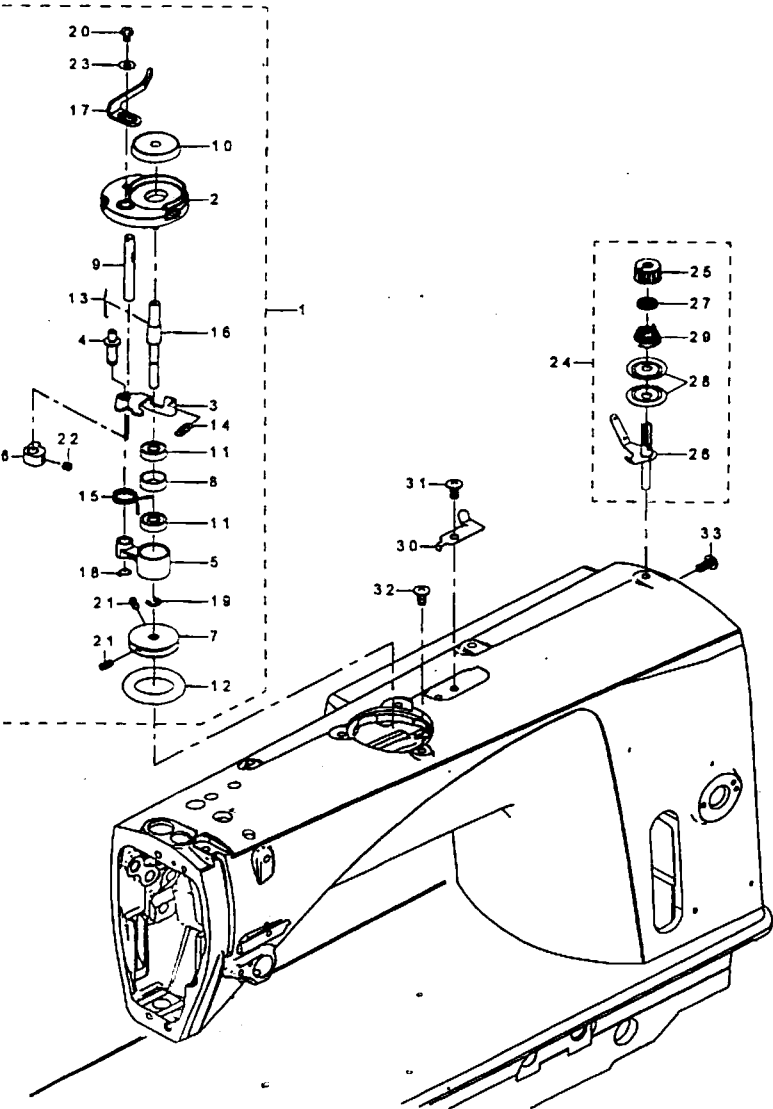
40089322
No.1533-01

1. MACHINE FRAME & MISCELLANEOUS COVER COMPONENTS



F.NO	NOTE	PART NO	DESCRIPTION	Qty
1		400-37158	SIDE PLATE	
2		400-41161	FACE PLATE	
3		400-52819	FACE PLATE PACKING	
4		236-00505	THREAD TAKE-UP LEVER COVER	
5		SM-4051055-SP	SCREW	
6		400-08713	BED_STUD_A	
7		SM-8061002-TP	SCREW M5 L=10	
8		229-51552	GROUND WIRE ASM.	
9		SM-4050855-SP	SCREW	
10		SM-4050855-SP	SCREW M5 L=6	
11		400-22077	CORB TRODDER	
12	#01	229-01250	SLIDE PLATE ASM.	1
13	#02	229-02753	SLIDE PLATE ASM.	1
14		229-01201	SLIDE PLATE	(1)
15		229-02704	SLIDE PLATE	(1)
16		229-01300	SLIDE PLATE SPRING	(1)
17		229-01300	SLIDE PLATE SPRING	(1)
18		SS-6060210-SP	SCREW 3/32-56 L=1.9	(2)
19		SM-4050855-SP	SCREW	
20	#07	400-09110	ATTACHMENT FIXATION SCREW	2
21		229-24508	WIRE PRESSER A	
22		SM-4040655-SP	SCREW M4 L=6	
23		CM-3002000-01	ATTENTION SEAL	
24	#07	400-69087	RULER PLATE I	1
25		CM-3002000-03	ATTENTION LABEL	
26		SM-8052502-TP	SCREW M5X25	
27		SM-2040955-TP	SCREW M4 L=8.5	
28		SM-2040750-TP	SCREW M4 L=7.4	
29		CM-3013000-01	SAFETY LABEL	
30		229-02506	FACE PLATE	
31		SM-4051055-SP	SCREW	
32		SM-4051255-SP	SCREW M5 L=12	
33		400-86732	PULLEY COVER	
34		400-86714	BED_STUD_B	
35		SM-6061202-TP	SCREW M5 L=12	
36		SM-4040655-SP	SCREW M4 L=6	
37		400-35589	RULER PLATE	
38		400-91461	FEED LEVER SPRING HOOK	
39		TA-1250406-R0	RUBBER PLUG D=12.5 L=4	
40		TA-1250406-R0	RUBBER PLUG D=12.5 L=4	
41		TA-1470704-R0	RUBBER PLUG	
42		NM-6040001-SP	NUT M4X0.7	
43		TA-1250406-R0	RUBBER PLUG D=12.5 L=4	
44		400-86728	FEED_ADJUSTING_SPRING_PLATE	
45		400-52933	APM THREAD GUIDE C	
46		SM-80608A2-TP	SCREW M6 L=8	
47		236-40006	SHEET	
48	#06	400-37488	SHEET	
49		400-24843	THREAD TENSION DISK ASM.	
50		236-28005	THREAD TENSION NUT	
51		B3115-552-000	TENSION POST	
52		B3120-125-000	ROTATING STOPPER	
53		B3128-012-000	THREAD TENSION DISK	(1)
54		B3128-012-000	TAKE-UP SPRING	(1)
55		B3129-012-A00	TENSION SPRING	(1)
56		B3132-552-000	THREAD TENSION DISK PRESSER	
57		400-24845	TENSION POST SOCKET ASM.	
58		SS-8090670-SP	SCREW 9/84-40 L= 5.5	
59		SS-6110610-TP	SCREW 11/84-40 L=6	
60		229-20607	ARM THREAD GUIDE B	
61		110-73954	THREAD TENSION ASM.	
62		110-45002	FIRST TENSION POST	
63		110-45200	THREAD TENSION GUIDE	
64		110-93606	THREAD TENSION SPRING	
65		110-72402	THREAD TENSION NUT	
66		B3214-347-000	ROBIN WRITER TENSION DISC	
67		SM-80608A2-TP	L#SCREW M6 L=8	
68		SM-5040855-SN	SCREW	
69		236-28104	ARM THREAD GUIDE A	
70		SM-80608A2-TP	L#SCREW M6 L=8	
71		400-88659	SAFETY_SWITCH_ASM.	
72		400-88660	SAFETY_SWITCH_BASE	
73		236-38109	SAFETY_SWITCH_ARM	
74		236-38208	SAFETY_SWITCH_SPRING	
75		236-38307	SAFETY_SWITCH_ARM_SHAFT	
76		236-38406	SAFETY_SWITCH_NUT	
77		236-38554	SAFETY_SWITCH_CORD_ASM.	
78		EA-0500501-00	CABLE BAND	
79		SM-4021201-SC	SCREW M2 L=12	
80		SM-4050855-SP	SCREW M5 L=6	
81		229-01805	GROUND MARK	
82		236-20900	AIR-DISCHARGING	
83		RO-0801502-00	RUBBER RING	
84		236-01305	AIR-DISCHARGING CAP	
85		B1109-012-10B	THROAT PLATE (I)	
86	#03	110-28008	THROAT PLATE	
87	#05	CM-6001001-01	WEEE MARK LABEL S	

2. BOBBIN WINDER COMPONENTS



REF.NO	NOTE	PART NO	DESCRIPTION	Qty
1		400-23021	BOBBIN WINDER UNIT	1
2		262-80109	BTW_BASE	(1)
3		262-80208	BTW_CAM_PLATE	(1)
4		262-80307	BTW_BASE_SHAFT	(1)
5		262-80408	BTW_SHAFT_BASE	(1)
6		262-80505	BTW_CAM_LEVER	(1)
7		262-80604	BTW_WHEEL	(1)
8		262-80802	BTW_BEARING_SPACER	(1)
9		262-81008	BTW_LEVER_SHAFT	(1)
10		262-81206	BTW_SPACER	(1)
11		262-81305	BTW_BEARING	(2)
12		262-81503	BTW_WHEEL_RUBBER	(1)
13		262-81802	BOBBIN_SPRING	(1)
14		262-81701	BTW_SPRING	(1)
15		400-11144	BTW_TORSION_SPRING	(1)
16		400-14837	BTW_SHAFT	(1)
17		400-23022	BTW_LEVER	(1)
18		RC-0560711-KP	RETAINING_RING	(1)
19		RE-0400000-K0	E-RING_4	(1)
20		SM-5040655-SN	SCREW	(1)
21		SM-8040802-TF	SCREW_M4X8	(2)
22		SM-8050502-TP	SCREW_M5_L=5	(1)
23		WP-0450828-SC	WASHER_4.5X10X0.8	(1)
24		400-88958	BOBBIN_THREAD_TENSION_ASM.	1
25		229-21308	THREAD_TENSION_NUT	(1)
26		400-88959	BOBBIN_THREAD_TENSION_ROD_ASM.	(1)
27		229-21407	ROTATION_STOPPER	(1)
28		229-21506	THREAD_TENSION_DISK	(2)
29		229-21704	THREAD_TENSION_SPRING_A	(1)
30		400-37008	THREAD_CUTTER	1
31		SM-0051001-SC	SCREW	1
32		SM-0051001-SC	SCREW	3
33		SM-4051055-SP	SCREW	1

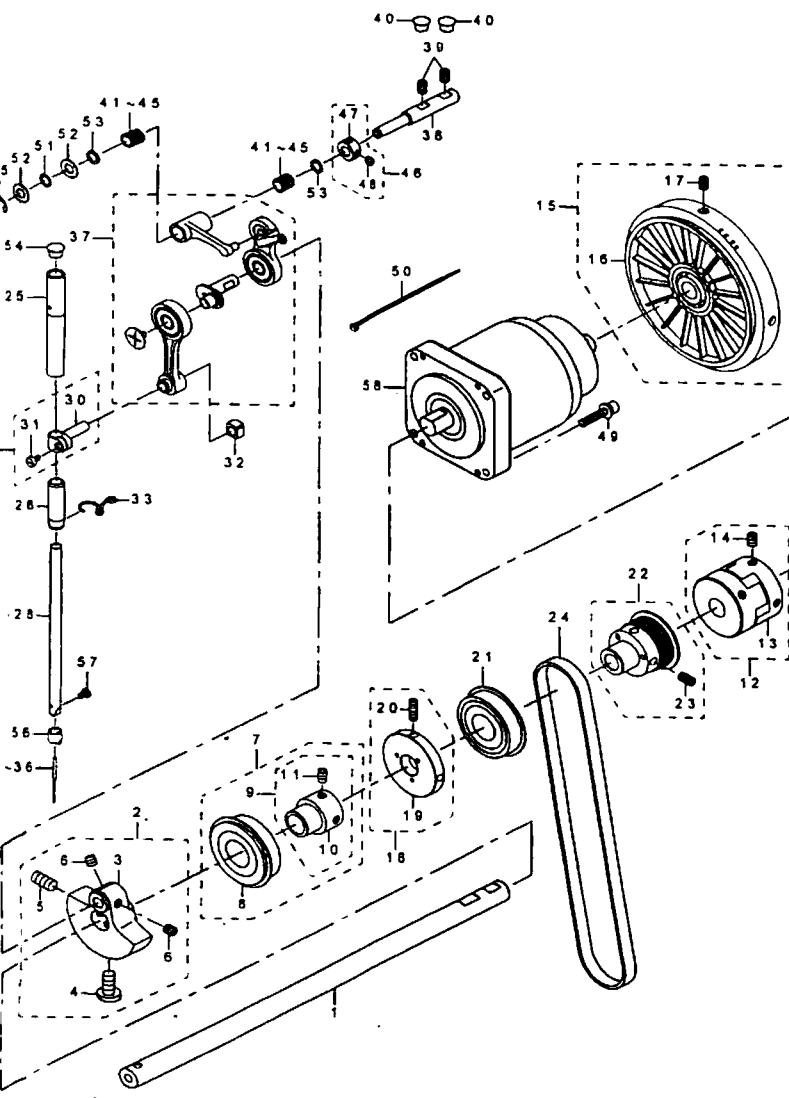
88	#06	CM-8006001-01	CHINA ENVIRONMENT LABEL	1
89		SM-4051055-SP	SCREW	2
90		WP-0550800-SP	WASHER 5.5X10X0.8	2
91		400-91307	CABLE COVER	1
92	#06	B1109-652-000	THROAT PLATE	1
93		WP-0621018-SD	WASHER 6.2X13X1	2
94		WP-0621018-SD	WASHER 6.2X13X1	2
95		WP-0601018-SD	WASHER 6X10.5X1	3
96		EXC800801-00	CABLE BAND	1
97	#06	400-94561	SEWING MACHINE LABEL (EU)	1

NOTE

- #01...FOR BB,EE
- #02...FOR AA,GG
- #03...FOR AA,BB
- #04...FOR EE
- #05...FOR BB
- #06...FOR GG
- #07...OPTIONAL PARTS

SIGN	PLACE OF DESTINATION
GG	CHINA
BB	EUROPE
EE	JAPAN
AA	EXCLUDES CHINA, EUROPE AND JAPAN

3. MAIN SHAFT & NEEDLE BAR COMPONENTS

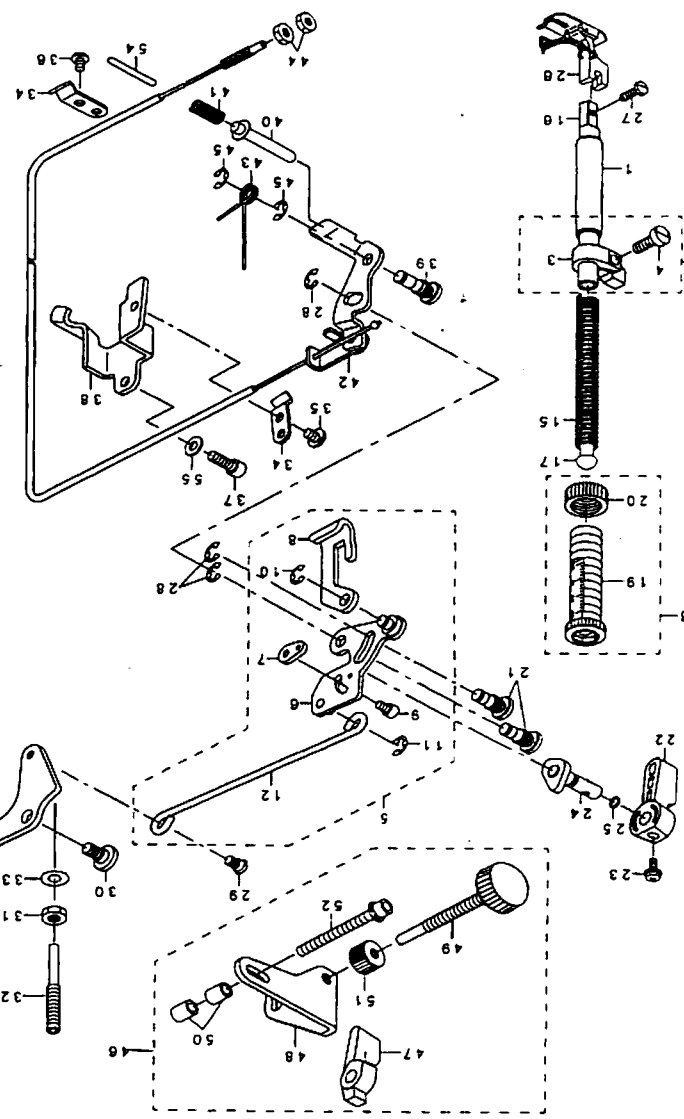


REF. NO	NOTE	PART NO	DESCRIPTION	Qty
1		400-86597	MAIN_SHAFT	1
2		400-37003	ASSY_COUNTER_WEIGHT	1
3		400-25729	COUNTER_WEIGHT	(1)
4		400-04171	COUNTER_WEIGHT_SCREW	(1)
5		SM-8081852-TP	SCREW M8 L=18	(1)
6		SM-80808A2-TP	SCREW M8 L=8	(2)
7		400-86733	BEARING_SUPPORT_COMPL	1
8		SB-1200027-00	BEARING	(1)
9		400-44857	FRONT BEARING SUPPORT ASM.	(1)
10		238-05207	MAIN SHAFT BEARING SUPPORT	(1)
11		SM-80808A2-TP	SCREW M8 L=8	(2)
12		400-51473	COUPLING ASM.	1
13		400-51474	COUPLING	(1)
14		SM-80608A2-TP	L=8SCREW M6 L=8	(4)
15		400-37007	HAND WHEEL ASM.	1
16		400-37008	HAND WHEEL	(1)
17		SM-80608A2-TP	SCREW M6 L=8	(2)
18		400-20454	BTW DRIVING WHEEL ASM.	1
19		400-20455	BTW DRIVING WHEEL	(1)
20		SM-8051810-SP	SCREW M5 L=18	(2)
21		SB-1200027-00	BEARING	1
22		400-86729	UPPER_SPROCKET_ASM	1
23		SM-80608A2-TP	SCREW M6 L=8	(2)
24		400-86731	TIMING BELT_550	1
25		238-08003	NEEDLE BAR METAL_UPPER	1
26		238-08102	NEEDLE BAR METAL_LOWER	1
27	#01	228-86907	NEEDLE BAR (A)	1
28	#02	228-87004	NEEDLE BAR (B)	1
29		229-06457	NEEDLE BAR HOLDER ASM.	1
30		229-06408	NEEDLE ROD HOLDER	(1)
31		SS-8090870-TP	SCREW 1/8-44 L=8	(1)
32		B1414-555-000	SLIDE BLOCK	1
33		238-28203	NEEDLE BAR THREAD GUIDE	1
34	#04	MD8-100B1100	NEEDLE DBX1 #11	1
35	#02	MC-2005007-50	NEEDLE 134 NM75	1
36	#03	MD8-100B1400	NEEDLE DBX1 #14	1
37		400-37370	THREAD TAKE UP COMP.	1
38		400-90527	TAKE UP CRANK SHAFT	1
39		SM-80608A2-TP	SCREW M6 L=8	1
40		TA-0850604-R0	RUBBER PLUG	2
41	#05	SB-3070002-00	BEARING	2
42	#05	SB-3070002-0A	BEARING	2
43	#05	SB-3070002-0B	BEARING	2
44	#05	SB-3070002-0C	BEARING	2
45	#05	SB-3070002-0D	BEARING	2
46		400-42289	THRUST COLLAR	1
47		CS-1000881-TP	THRUST COLLAR	(1)
48		SM-8050412-TP	SCREW M5 L=4	(2)
49		SL-6052592-TN	BOLT	4
50		EA-9500801-00	CABLE BAND	2
51		400-90529	TAKE UP CRANK SHAFT WASHER B	1
52		400-90528	TAKE UP CRANK SHAFT WASHER A	1
53		228-87204	BEARING SUPPORT	2
54		TA-0850604-R0	RUBBER PLUG	1
55		RE-0800000-K0	E-RING 8	1
56		229-06309	NEEDLE BAR THREAD GUIDE	1
57		SS-7080510-TP	SCREW 1/8-44 L=4,5	1
58		400-89196	AC SERVO MOTOR	1

NOTE
 #01...FOR EE,AA,GG
 #02...FOR BB
 #03...FOR GG
 #04...FOR EE,AA
 #05...SELECTIVE PARTS

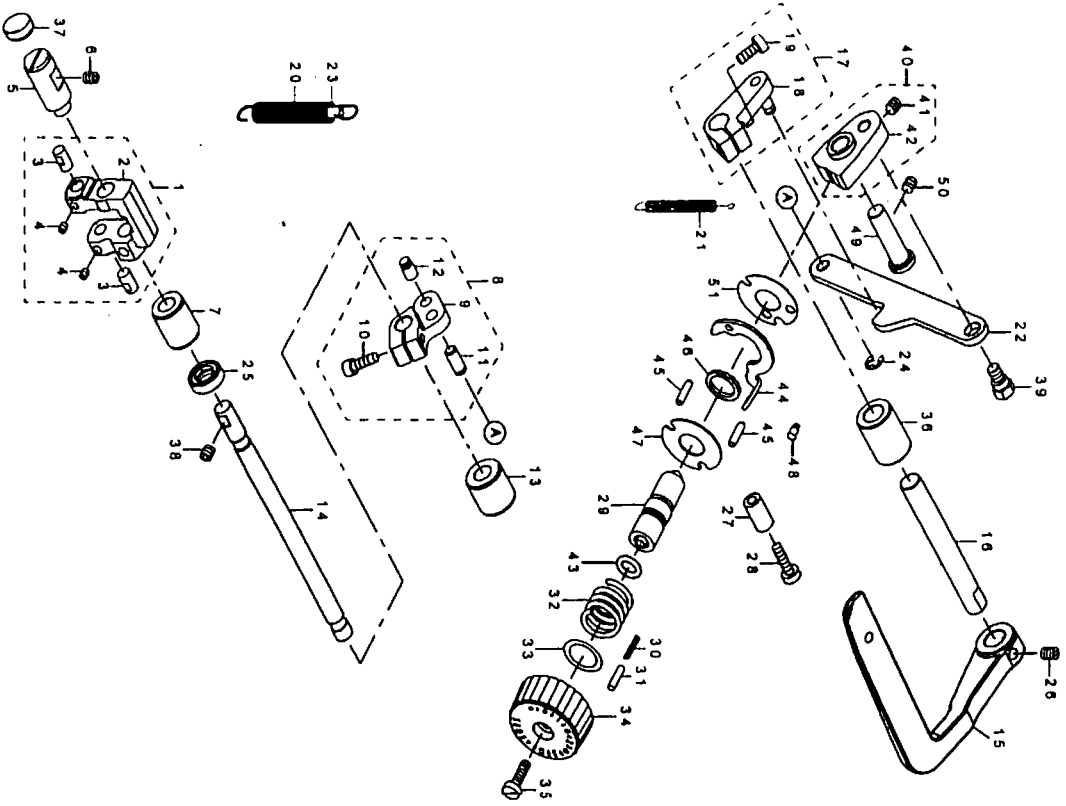
QTY	DESCRIPTION	PART NO	NOTE	EFNO
1	BUSHING	236-09001		1
1	PRESSER_BAR_GUIDE_BRACKET_ASM	400-86606		2
1	PRESSER_BAR_GUIDE_BRACKET	400-86607		3
1	SCREW	SM-6051400-SP		4
1	LIFTING_LEVER_CONNECT_ROD_ASM	236-09357		5
1	LIFTING_LINK_COMP	236-09456		7
1	PLATE	236-09605		8
1	LIFTING_PLATE	229-09008		9
1	SCREW_M4_L=6	SM-6040602-TP		10
1	E-RING	RE-050000-K0		11
1	E-RING	RE-050000-K0		11
1	LIFTING_LEVER_CONNECT_ROD	236-09308		12
1	CONNECTING_ROD	400-86780		13
1	LIFTING_LEVER_CONNECT_ROD	236-09308		12
1	LIFTING_LEVER_CONNECT_ROD	236-09308		12
1	CONNECTION ROD	400-86780		13
1	CONNECTING ROD	400-86780		13
1	LIFTING LEVER LINK	236-09704		14
1	PRESSER SPRING	229-07406		15
1	PRESSER BAR	236-10207		16
1	PRESSER BAR	236-10306		17
1	PRESSER SPRING REGULATORY ASM	400-37359		18
1	PRESSER SPRING REGULATORY	400-37141		19
1	PRESSER SPRING REGULATORY NUT	400-37144		20
1	LINK SHAFT	400-50583		21
1	HAND LIFTER	229-07802		22
1	SCREW	B1521-555-000		23
1	HAND LIFTER CAM ASM	229-08552		24
1	RUBBER RING	RO-0371801-00		25
1	PRESSER FOOT ASM	B1524-017-08A		26
1	SS-70811-10-TP	SS-70811-10-TP		27
1	HINGE SCREW	229-08909		28
1	E-RING	RE-050000-K0		29
1	SHOULDER SCREW D=7.24 H=3.3	400-82078		30
1	NUT FOR BRACKET	NM-806000-SE		31
1	ADJUSTING SCREW	400-36706		32
1	WASHER 6.2X13X1	WF-0621016-SD		33
1	WIRE PRESSER A	229-14508		34
1	SCREW M5 L=6	SM-4050655-SP		35
1	SCREW M4 L=6	SM-4040655-SP		37
1	SCREW M3X0.8 L=14	SM-6051402-TP		38
1	WIRE HOLDER	400-86643		39
1	TENSION RELEASE SHAFT	400-50582		39
1	TENSION RELEASE SUPPORTING PIN	229-20300		40
1	THREAD RELEASE PIN SPRING	229-20408		41
1	THREAD TENSION RETURN SPRING	236-26351		42
1	TENSION RELEASE RETURN SPRING	236-26807		43
1	NUT 3/16-32	NS-6620310-SP		44
1	E-RING	RE-050000-K0		45
1	MINUTE LIFTING DEVICE ASM	400-59822		46
1	HAND LIFTER	236-11106		47
1	STOPPER SCREW ASM	236-10504		48
1	STOPPER SCREW ASM	236-10504		48
1	STOPPER SCREW ASM	236-10504		48
1	STOPPER SCREW NUT	236-10702		51
1	BOLT	SL-6053592-TN		52
1	RUBBER RING	RO-0442401-00		53
1	TENSION RELEASING PIN	B3118-552-F00		54
1	WASHER 5X10.5X1	WF-0501016-SD		55

NOTE #01...OPTIONAL PARTS



4. HAND LIFTER & TENSION RELEASE COMPONENTS

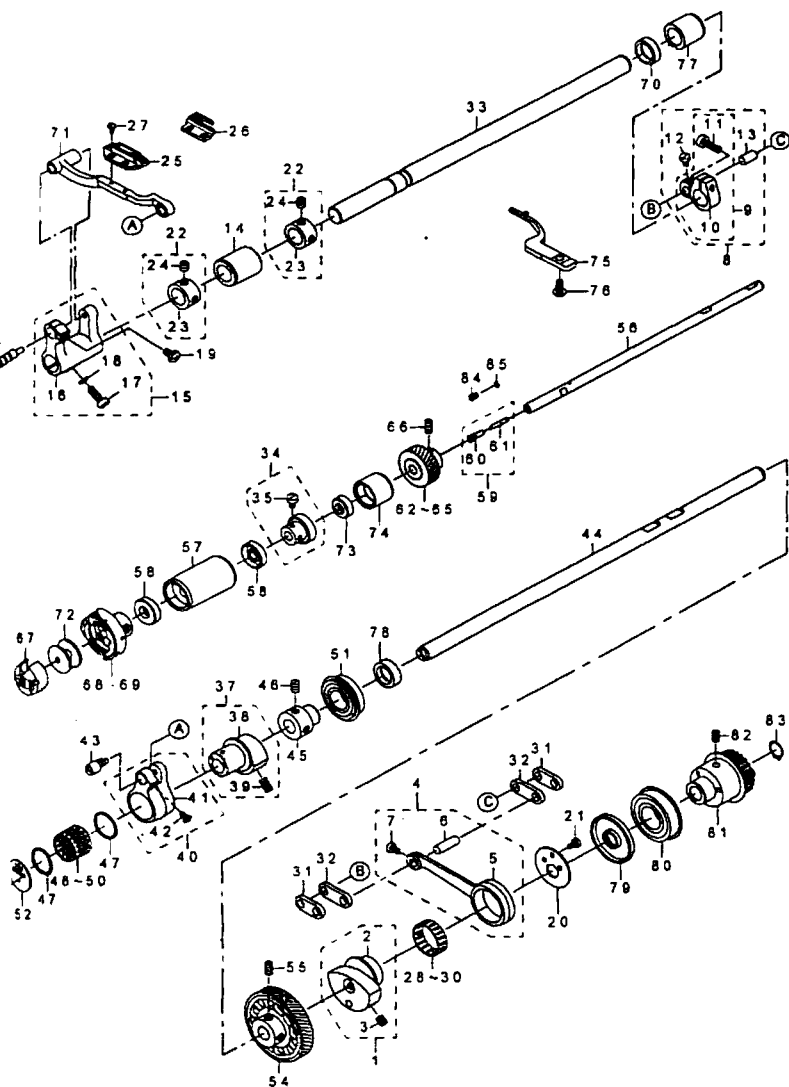
5. FEED ADJUST MECHANISM COMPONENTS



REF. NO	NOTE	PART NO	DESCRIPTION
1		400-86735	ADJUSTING LINK ASM.
2		400-86695	FEED ADJUSTING LINK
3		400-86696	FEED ADJUSTING LINK PIN
4		SM-80506A2-TP	SCREW M5 L=6
5		400-86908	ADJUSTING LINK FULCRUM SHAFT
6		SM-80808A2-TP	SCREW M6 L=6
7		400-86913	FEED CHANGING SHAFT METAL A
8		400-86704	FEED CHANGING SHAFT METAL B
9		400-86705	FEED CHANGING SHAFT ARM
10		SM-6051602-TP	SCREW M5X0.8 L=16
11		ZZ-710509	FEED ADJUSTING LINK PIN
12		400-86706	FEED CHANGING SPRING PIN
13		400-86616	FEED CHANGING SHAFT METAL B
14		400-86614	FEED CHANGING SHAFT
15		400-86738	REVERSE FEED LEVER
16		ZZ-513708	FEED LEVER SHAFT
17		400-86674	FEED LEVER ARM ASM.
18		400-86675	FEED LEVER ARM
19		SM-6051602-TP	SCREW M5X0.8 L=16
20		400-86737	FEED ADJUSTING SPRING
21		400-86739	FEED LEVER SPRING
22		400-86609	FEED ADJUSTING ROD
23		ZZ-630007	TUBE
24		RE-0500000-KO	E-RING
25		ZZ-6121609-SP	FEED CHANGING SHAFT OIL SEAL
26		SM-80808A2-TP	SCREW M6 L=8
27		ZZ-852501	BACK LEVER STOPPER
28		SM-6051602-TP	SCREW M5 L=16
29		ZZ-9-11804	FEED REGULATOR SCREW
30		ZZ-9-12109	FEED REGULATOR PIN SPRING
31		ZZ-9-12008	FEED REGULATOR PIN
32		ZZ-9-34908	FEED DIAL SPRING
33		WP-1751616-SD	FEED DIAL SPRING WASHER 17.5X24X1.6
34		400-36433	FEED DIAL
35		SS-6121660-SP	SCREW 3/16-28 L=18
36		400-86817	FEED LEVER SHAFT METAL
37		400-86736	RUBBER PLUG
38		SM-80606A2-TP	SCREW M6 L=6
39		ZZ-6-13409	FEED ADJUSTING PIN
40		400-95947	FEED REGULATOR ASM.
41		SM-80808A2-TP	SCREW M6 L=8
42		400-86910	FEED REGULATOR
43		RO-0922702-00	RUBBER RING
44		400-86612	FEED REGULATOR STOPPER
45		400-86613	FEED REGULATOR STOPPER PIN
46		400-90700	FEED DIAL STOPPER WASHER A
47		400-90701	FEED DIAL STOPPER WASHER B
48		110-01005	SCREW
49		400-06716	THREAD TRIMMER SHAFT
50		SM-80606A2-TP	SCREW M6 L=6
51		400-93035	FEED DIAL STOPPER WASHER C

6. HORIZONTAL FEED, VERTICAL FEED & HOOK

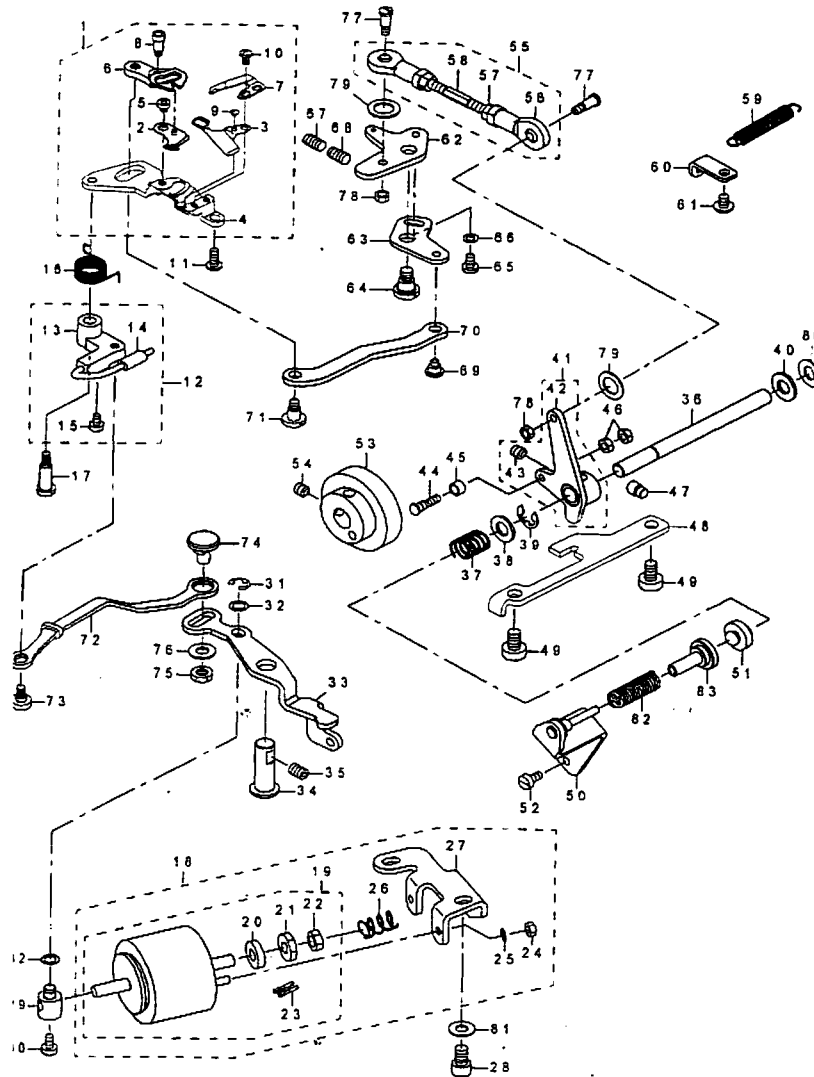
DRIVING SHAFT COMPONENTS



IF.NO	NOTE	PART NO	DESCRIPTION	Qty
1		400-37182	FEED ROCKER CAM ASM.	1
2		236-16006	FEED ROCKER CAM	(1)
3		SS-8150822-TP	SCREW 15/64-28 L=8	(2)
4		400-37365	FEED ROCKER ROD ASM.	1
5		400-26277	FEED ROCKER ROD	(1)
6		229-11101	WALKING FOOT PIN C	(2)
7		SS-6090620-TP	SCREW	(1)
8		400-81246	FEED ROCKER ARM ALL ASM.	1
9		400-58504	FEED ROCKER ARM ASM.	(1)
10		400-42079	FEED ROCKER ARM	(1)
11		SS-8121610-SP	SCREW 3/16-28 L=10.5	(1)
12		SS-6090620-TP	SCREW	(1)
13		229-11002	WALKING FOOT PIN B	(1)
14		236-16709	FEED ROCKER SHAFT METAL	1
15		400-37005	ASSY FEED ROCKER BASE ARM	1
16		400-26281	FEED ROCKER BASE ARM	(1)
17		SM-8051400-SP	SCREW	(1)
18		WP-0480856-SP	WASHER 4.8X8.4X0.6	(1)
19		SM-4050855-SP	SCREW	1
20		236-16204	FEED ROCKER CAM PLATE	1
21		SS-6090670-TP	SCREW 5/64-40 L=6	2
22		229-04155	MAIN SHAFT THRUST COLLAR ASM.	(1)
23		229-04106	MAIN SHAFT THRUST COLLAR	2
24		SS-8660610-TP	SCREW 1/4-40 L=6	(2)
25	#01	SB13-012-100	FEED DOG 1	1
26	#02	236-17106	FEED DOG 2	1
27		SS-480620-TP	SCREW 1/8-44 L=6	2
28	#05	B4123-522-00A	NEEDLE BEARING	1
29	#05	B4123-522-00B	NEEDLE ROLLER	1
30	#05	B4123-522-00C	NEEDLE ROLLER	1
31		400-26278	CONNECTING LINK A	2
32		236-16402	CONNECTING LINK B	2
33		236-16600	FEED ROCKER SHAFT	1
34		400-86713	FEED DRIVING SUPPORT ASM.	1
35		SS-8110650-TP	SCREW 11/64-40 L=6.5	(2)
36		400-26282	FEED ROCKER BASE SHAFT	1
37		400-00391	VERTICAL FEED CAM ASM. 5	1
38		400-00392	VERTICAL FEED CAM 5	(1)
39		SS-8151150-TP	SCREW 15/64-28 L=10.5	(2)
40		400-53720	FEED DRIVING BASE ARM ASM.	1
41		400-26287	FEED DRIVING BASE ARM	(1)
42		SM-4040655-SP	SCREW M4 L=6	(1)
43		400-26288	FEED DRIVING BASE SHAFT	1
44		400-86737	FEED DRIVING SHAFT	1
45		400-86690	FEED DRIVING BEARING SUPPORT	1
46		SS-8661012-TP	SCREW	1
47		236-18101	FEED DRIVING CAM THRUST BUSH	2
48	#05	SB-3200006-0A	BEARING	1
49	#05	SB-3200006-0B	BEARING	1
50	#05	SB-3200006-0C	BEARING	1
51		SB-1170012-00	BEARING	1
52		236-18309	FEED DRIVING CAM PLATE	1
53		SS-6090670-TP	SCREW 5/64-40 L=6	2
54		236-20503	GEAR LARGE	1
55		SS-8661012-TP	SCREW	2
56		236-20008	HOOK SHAFT 1	1
57		236-20156	HOOK SHAFT METAL COMPL.	1
58		236-20206	OIL SEAL	2
59		229-16555	OIL SEAL SCREW ASM.	(1)
60		229-16506	SET SCREW	(1)
61		110-18906	OIL WICK	(1)
62	#05	236-20701	GEAR SMALL(A)	1
63	#05	236-20800	GEAR SMALL(B)	1
64	#05	236-20909	GEAR SMALL(C)	1
65	#05	236-21008	GEAR SMALL(D)	1
66		SS-8661012-TP	SCREW	2
67		D1837-555-BAA-A	BOBBIN CASE ASM.	1
68	#03	111-41355	HOOK ASM.	1
69	#04	110-38650	HOOK ASM.	1
70		400-86740	OIL SEAL	1
71		400-30786	FEED BASE COMPL.	1
72		400-81141	BOBBIN	1
73		400-86744	HOOK DRIVING SHAFT OIL SEAL	1
74		236-20404	HOOK SHAFT REAR METAL	1
75		400-89607	INNER HOOK HOLDER	1
76		SM-4051055-SP	SCREW	1
77		400-86618	FEED SHAFT REAR METAL	1
78		400-86741	OIL SEAL	1
79		400-86742	OIL SEAL	1
80		SB-1200026-00	BEARING	1
81		400-86730	UNDER_SPRCKET_ASM	1
82		SM-80608A2-TP	SCREW M6 L=8	(2)
83		RC-1200001-KP	C-SHAPED SNAP RING	1
84	#06	110-17906	FRONT SCREW	1
85	#06	RO-0360802-00	RUBBER RING	1

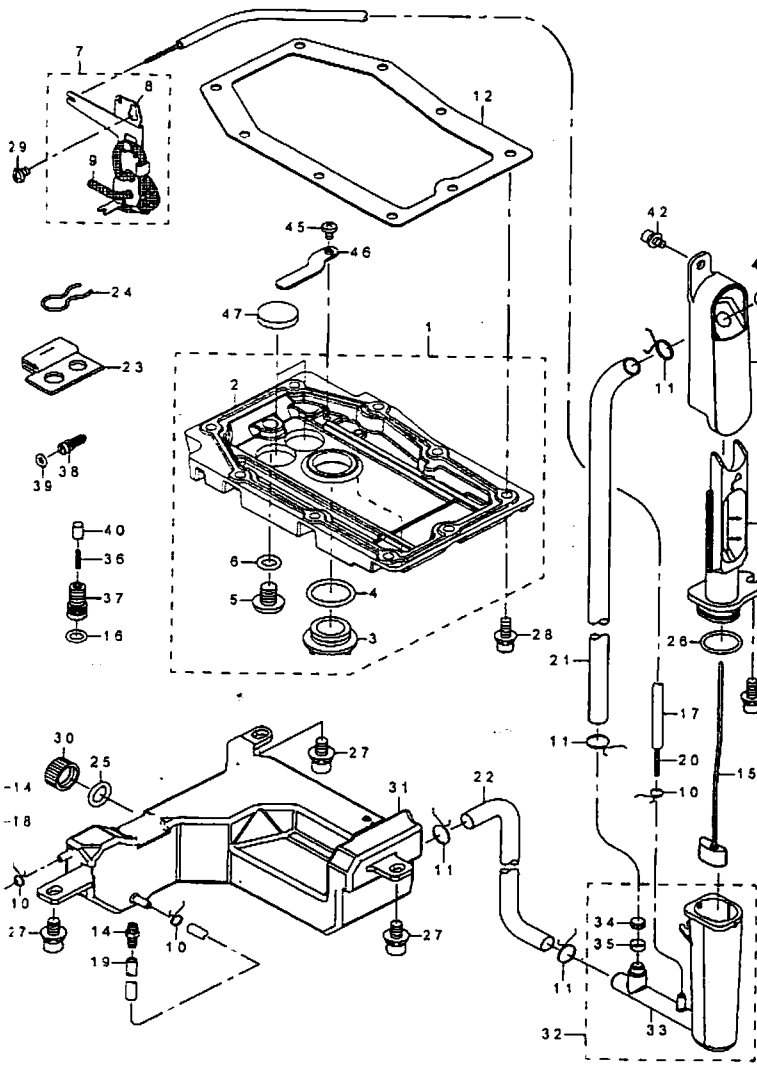
NOTE
 #01...FOR AA,BB,GG
 #02...FOR EE
 #03...FOR BB
 #04...FOR AA,EE,GG
 #05...SELECTIVE PARTS
 #06...OPTIONAL PARTS

7. THREAD TRIMMER COMPONENTS



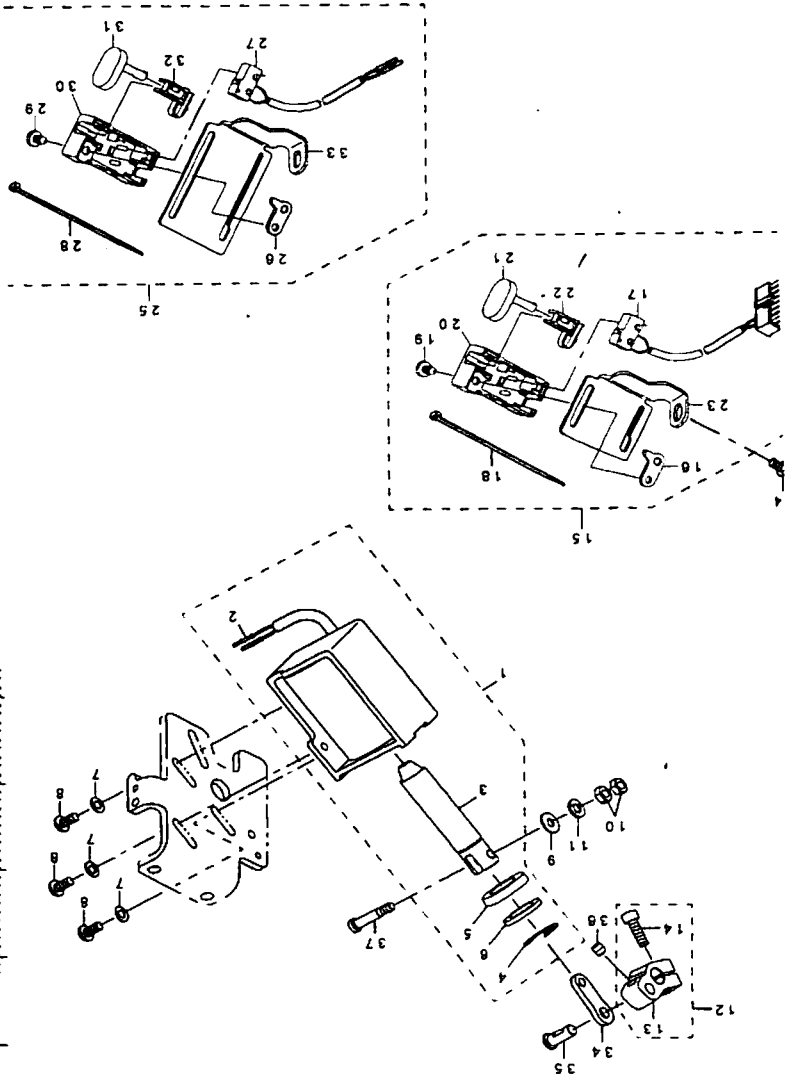
F.NO	NOTE	PART NO	DESCRIPTION	Qty
1		400-50585	KNIFE UNIT	1
2		110-40052	MOVING KNIFE ASM.	(1)
3		400-44189	THREAD GUIDE FOR KNIFE	(1)
4		229-47907	KNIFE MOUNTING BASE	(1)
5		110-40409	MOVING KNIFE HINGE SCREW	(1)
6		229-48202	FORKED BASE FOR KNIFE	(1)
7		D2406-555-00H	COUNTER KNIFE	(1)
8		SD-0460703-TP	HINGE SCREW D=4.6 H=7	(1)
9		SS-2060210-SP	SCREW 3/32-56 L=2.3	(1)
10		SS-4080620-TP	SCREW 1/8-44 L=6	(2)
11		SM-4041055-SP	SCREW	1
12		400-38996	ASSY_PICKER_ARM	(1)
13		400-61215	PICKER ARM	(1)
14		400-36987	ASSY_PICKER	(1)
15		SS-6090510-TP	SCREW 9/64-40 L= 5.0	(2)
16		400-29398	PICKER SPRING	1
17		SD-0641456-TP	SHOULDER SCREW D=6.35 H=14.5	1
18		400-86746	ASSY_THREAD_TRIM_SOLENOID	(1)
19		400-89263	THREAD TRIMMER SOLENOID	(1)
20		110-43304	SOLENOID RUBBER	(1)
21		NS-8680410-SH	NUT	(1)
22		NS-8660430-SP	NUT 1/4-40	(1)
23		HK-0346400-05	PIN CONTACT	(2)
24		NM-5040000-SN	NUT M4	(1)
25		WP-0430800-SC	WASHER M4	(2)
26		400-89672	SPRING	(1)
27		400-86727	SOLENOID INSTALLING BASE	(1)
28		SM-6061002-TP	SCREW M6 L=10	2
29		400-86711	SOLENOID PIN	1
30		SM-6110710-TP	SCREW 11/64-40 L= 6.5	1
31		RE-0300000-K0	E-RING	1
32		106-18304	WASHER	1
33		400-86634	CLUTCH_PLATE	2
34		400-86635	CLUTCH_SHAFT	1
35		SM-8060812-TP	SCREW M6 L=8	1
36		400-86622	THREAD_TRIMMER_SHAFT	1
37		312-56803	SPRING	1
38		WP-0841600-SD	WASHER M8	1
39		RE-0700000-K0	E-RING 7	1
40		B115-804-000	RUBBER WASHER	1
41		400-95843	ASSY_CAM_FOLLOWER	1
42		400-86624	CAM_FOLLOWER_ASM.	(1)
43		SM-80606A2-TP	SCREW M6 L=6	(2)
44		400-86748	ROLLER SHAFT	1
45		400-15671	CAM_ROLLER	1
46		NM-8040001-SP	NUT MAXIUT	2
47		400-86623	STOPPER SCREW	1
48		400-86636	CAM_FOLLOWER_STOPPER	1
49		SM-8061010-TP	SCREW M8 L=10	2
50		400-95870	THREAD TRIMMER STOPPER ASM.	1
51		BT178-210-D00	STOPPER RUBBER	1
52		SM-8040800-SP	SCREW	2
53		400-86747	THREAD TRIMMER CAM	1
54		SM-80608A2-TP	SCREW M6 L=8	2
55		400-86708	CONNECTING ROD ASM.	1
56		400-86710	ROD_END	(2)
57		NM-5050001-SC	NUT M5	(2)
58		400-86709	CONNECTING_BAR	(1)
59		262-26209	SPRING	1
60		400-86621	SPRING RACK	1
61		SM-4050855-SP	SCREW M5 L=6	1
62		400-86631	THREAD_TRIMMER_LINK_A	1
63		400-86632	THREAD_TRIMMER_LINK_B	1
64		400-86633	SHOULDER SCREW	1
65		SS-7110740-TP	SCREW 11/64-40 L=7	1
66		WP-0450801-SP	WASHER	1
67		SM-8061050-TP	SCREW	1
68		SM-8061010-TP	SCREW	1
69		SD-0640321-SP	HINGE SCREW D= 6.35 H= 3.2	1
70		400-86628	MOVING KNIFE LINK	1
71		SD-0640831-TP	HINGE SCREW D=6.35 H=6.3	1
72		400-86637	PICKER LINK ASM.	1
73		SD-0630275-SP	HINGE SCREW D= 6.35 H= 2.7	1
74		229-50000	PICKER LINK PIN	1
75		NS-8150310-SP	NUT 15/64-28	1
76		WP-0621016-SH	WASHER	1
77		SD-0500701-TP	SHOULDER SCREW	2
78		NS-8110310-SP	NUT 11/64-40	2
79		400-86712	CONNECTING ROD FELT	1
80		B1223-771-000	NEEDLE ROD CRANK WASHER	1
81		WP-0621016-SU	WASHER 1/2X1/4	2
82		400-95218	THREAD TRIMMER STOPPER SPRING	1
83		400-95873	THREAD TRIMMER STOPPER BUSH	1

8. OIL LUBRICATION COMPONENTS



EF.NO	NOTE	PART NO	DESCRIPTION	Qty
1		400-82059	GEAR BOX COVER ASM.	1
2		400-82060	GEAR BOX COVER	(1)
3		400-34246	OIL_SIGHT_WINDOW	(1)
4		RO-1952401-00	RUBBER RING	(1)
5		131-71004	DRAIN SCREW	(1)
6		131-70105	RUBBER RING	(1)
7		236-29256	OIL WICK SUPPORT ASM.	1
8		236-29207	OIL WICK SUPPORT	(1)
9		CQ-2500000-01	OIL WICK	(3.25)
10		236-29306	PIPE STOPPER A	3
11		236-29405	PIPE STOPPER B	1
12		400-37166	GEAR BOX PACKING	1
13		400-00344	LUBRICATING INLET CAP	1
14		SQ-2050453-MZ	CONNECTING SCREW	2
15		400-86648	FLOATER ASM	1
16		RO-0881901-00	RUBBER RING	1
17		236-30007	TUBE	0.57
18		236-30007	TUBE	0.08
19		236-30007	TUBE	0.11
20		CQ-2000000-01	OIL WICK	0.75
21		236-30108	TUBE B	0.165
22		236-30108	TUBE B	0.2
23		400-75404	FACE FELT ASM.	1
24		229-25101	OIL FELT PRESSER	1
25		RO-0882401-00	RUBBER RING	1
26		RO-1721801-00	RUBBER RING	1
27		SL-6061292-TN	SCREW	3
28		SL-6051492-TN	BOLT	9
29		SM-5040655-SN	SCREW	1
30		400-13595	OIL_EXIT_CAP	1
31		400-88749	OIL_TANK	1
32		400-88846	FLOATER_CASE_ASM.	1
33		400-88847	FLOATER_CASE	(1)
34		236-30403	OIL_FILTER	(1)
35		236-30502	OIL_FILTER_STOPPER	(1)
36		236-28902	PLUNGER_SPRING	1
37		400-38328	PLUNGER SCREW	1
38		400-37502	OIL_ADJUSTING SCREW	1
39		RO-0371801-00	RUBBER RING	1
40		236-28803	PLUNGER	1
41		400-88893	FROATER_CASE_GUIDE	1
42		SL-6040892-TN	BOLT	1
43		SL-6051492-TN	BOLT	1
44		RO-0481901-00	RUBBER RING	1
45		SM-4040601-SC	SCREW M4X0.7 L=6	1
46		400-82081	MAGNET HOLDER	1
47		B8228-125-000	OIL_RESERVOIR_MAGNET	2
48		400-88897	FLOATER_SIGHT_WINDOW_B	1

9. AUTOMATIC REVERSE FEED COMPONENTS

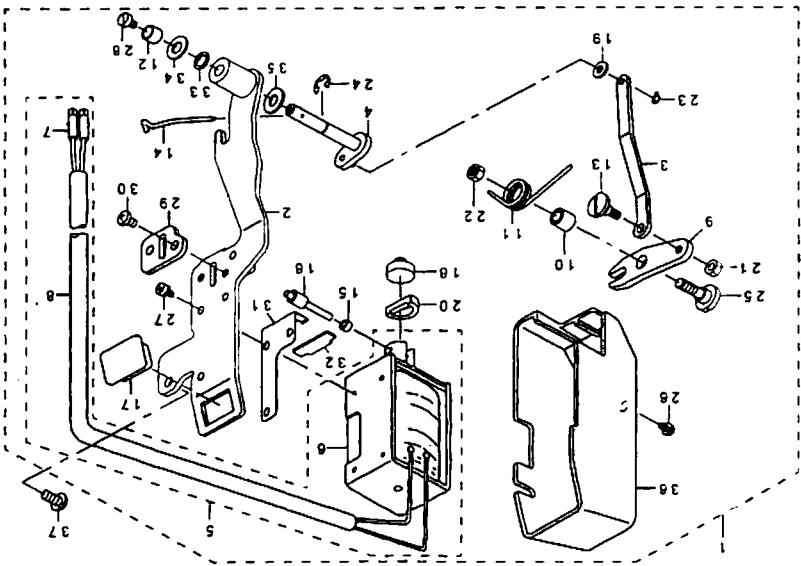


REF NO	PART NO	NOTE	DESCRIPTION	QTY
1	400-86750		REVERSE FEED SOLENOID ASM	1
2	HK-0346400-08		PIN CONTACT	1
3	400-86753		REVERSE FEED SOLENOID PLUNGER	(2)
4	RE-1200000-K0		E-RING 12	(1)
5	D2468-555-B00		RUBBER PLUNGER	(1)
6	WF-1802618-SZ		WASHER 18X24X2.6	(1)
7	WF-0550800-SP		WASHER 5.5X10X0.8	3
8	SM-4051055-SP		SCREW	1
9	WF-0551016-SH		WASHER 5.5X13X1	1
10	NM-6050001-SP		NUT M5	2
11	VPS-0810002-KN		SPRING WASHER 8.1X12.2X1.5	1
12	400-85844		REVERSE FEED ARM ASM	1
13	400-86888		REVERSE FEED ARM	(1)
14	SM-6051602-TP		SCREW M5X0.8 L=16	(1)
15	236-31757		REVERSE FEED SWITCH ASM	1
16	Z36-32102		REVERSE FEED SWITCH BASE GUIDE	(1)
17	Z36-32359		REVERSE FEED CORD ASM	(1)
18	EA-9500801-00		CABLE BAND	(1)
19	SS-7110740-TP		SCREW 11/64-40 L=7	(1)
20	Z36-31708		REVERSE FEED SWITCH COVER	(1)
21	Z36-31807		REVERSE FEED SWITCH SHAF-T	(1)
22	Z36-31906		REVERSE FEED SWITCH SUPPORT	(1)
23	Z36-32003		SCREW	(1)
24	SM-4051055-SP	#01	SCREW	(1)
25	Z36-32656		OPTION SWITCH ASM	1
26	Z36-32102		REVERSE FEED SWITCH BASE GUIDE	(1)
27	Z36-32250		REVERSE FEED CORD ASM	(1)
28	EA-9500801-00		CABLE BAND	(1)
29	SS-7110740-TP		SCREW 11/64-40 L=7	(1)
30	Z36-31708		REVERSE FEED SWITCH COVER	(1)
31	Z36-31807		REVERSE FEED SWITCH SHAF-T	(1)
32	Z36-31906		REVERSE FEED SWITCH SUPPORT	(1)
33	Z36-32607		OPTION SWITCH BASE	(1)
34	400-86655		REVERSE FEED CONNECTION LINK	(1)
35	400-86699		REVERSE FEED LINK PIN	1
36	SM-4480352-TP		SCREW	1
37	400-86759		BACK SOLENOID PLUNGER PIN	1

#01...OPTIONAL PARTS

NOTE

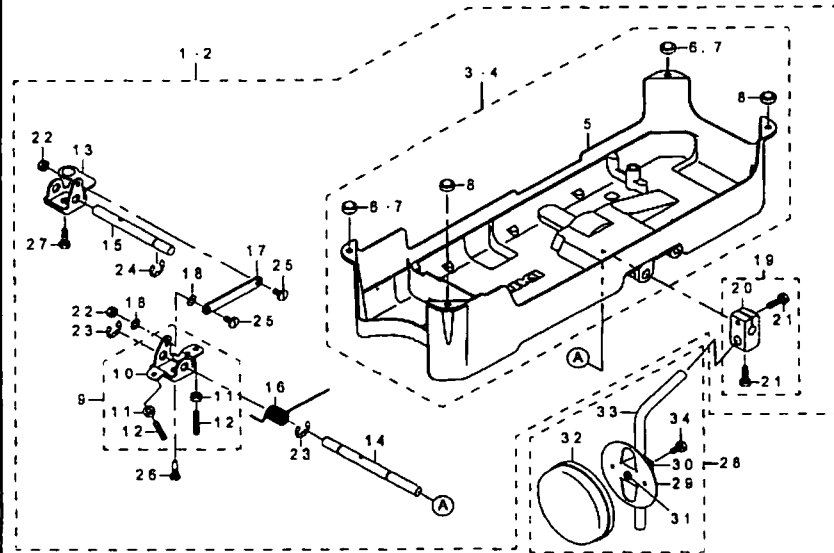
10. WIPER COMPONENTS (FOR DDL-9008--WB)



REF NO	NOTE	PART NO	DESCRIPTION	QTY
1		400-96678	WIPER ASM	1
(1)		400-77853	WIPER BASE ASM	1
(1)		400-96723	WIPER LINK B	1
(1)		400-96724	WIPER SHAFT ASM	1
(1)		400-96175	WIPER SOLENOID ASM	1
2		400-96678	WIPER ASM	1
3		400-96723	WIPER LINK B	1
4		400-96724	WIPER SHAFT ASM	1
5		400-96175	WIPER SOLENOID ASM	1
6		400-96678	WIPER ASM	1
7		400-96678	WIPER ASM	1
8		400-96678	WIPER ASM	1
9		400-96678	WIPER ASM	1
10		229-56205	WIPER HINGE SCREW COLLAR	1
11		229-56205	WIPER HINGE SCREW COLLAR	1
12		229-56908	WIPER COLLAR	1
13		229-56908	WIPER LINK B HINGE SCREW	1
14		229-57005	WIPER LINK A	1
15		229-57203	WIPER LINK B COLLAR	1
16		400-77852	WIPER SOLENOID SHAFT	1
17		400-96678	WIPER ASM	1
18		229-56900	WIPER RUBBER A	1
19		400-96177	FELT B	1
20		229-56907	WIPER RUBBER B	1
21		NS-810310-SR	NUT 11/64-40	1
22		NS-810310-SR	NUT 11/64-40	1
23		RC-0370411-KP	RETAINING RING	1
24		RE-050000-KO	E-RING	1
25		SD-0550231-7P	HINGE SCREW D=6.5 H=1.2	1
26		SL-4030641-5E	SCREW M4X6	1
27		SS-6090540-SP	SCREW 9/64-40 L=5.0	1
28		SS-6090540-SP	WIPER SOLENOID SHAFT GUIDE	1
29		400-77851	WIPER SOLENOID SHAFT GUIDE	1
30		SS-110615-SP	SCREW 11/64-40 L=6	2
31		400-96690	WIPER STOPPER RUBBER HOLDER	1
32		400-96679	WIPER STOPPER RUBBER	1
33		400-96679	WIPER STOPPER RUBBER	1
34		WP-0661001-SC	WASHER	1
35		400-96716	FELT A	1
36		229-55504	WIPER COVER	1
37		SM-4091055-SP	SCREW	1

DDL-9000B No.2

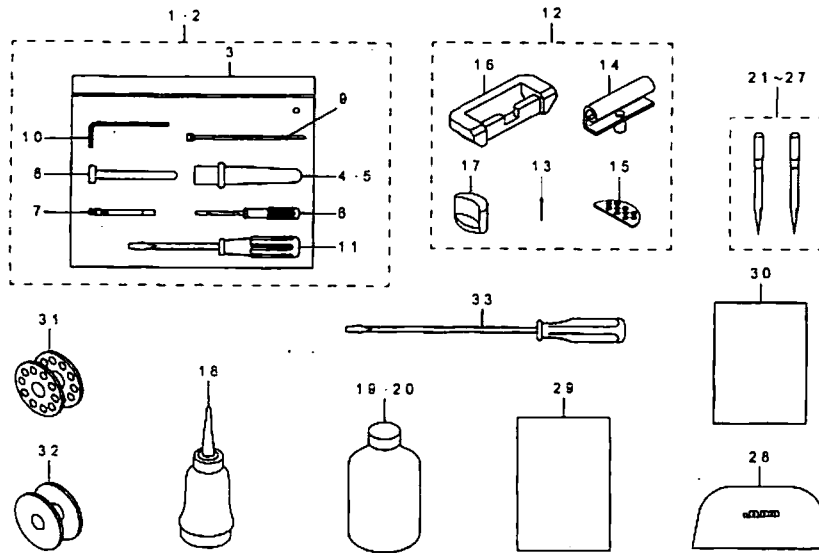
12. UNDER COVER COMPONENTS



REF.NO	NOTE	PART NO	DESCRIPTION	Qty
1	#01	400-89665	UNDER COVER AH ASM.	1
2	#02	400-62321	UNDER COVER A ASM.	1
3	#01	400-89671	UNDER COVER BH ASM.	(1)
4	#02	400-62323	UNDER COVER B ASM.	(1)
5		236-39008	UNDER COVER	(1)
6	#01	229-32008	RUBBER CUSHION	(2)
7	#02	B1116-210-D00	FRAME SUPPORT RUBBER	(2)
8		B1116-210-D00	FRAME SUPPORT RUBBER	(2)
9		236-39156	BRACKET ASM.	(1)
10		236-39107	BRACKET	(1)
11		NM-8080001-SE	NUT M8	(2)
12		SM-8063012-TR	SCREW M8 L=30	(2)
13		236-39206	CONNECTING ROT	(1)
14		236-39305	KNEE PRESS ROD	(1)
15		236-39404	SHAFT	(1)
16		236-39503	SPRING	(1)
17		236-39602	CONNECTING ROD	(1)
18		WP-0650876-SD	WASHER 6.5X13X0.8	(2)
19		229-32453	BRACKET ASM.	(1)
20		229-32404	BRACKET	(1)
21		SM-9062053-SR	SCREW M8 L=20	(2)
22		NS-6150310-SP	NUT 15/64-28	(2)
23		RE-1000000-K0	E-RING 10	(2)
24		RE-1000000-K0	E-RING 10	(1)
25		SD-0720331-SP	HINGE SCREW D= 7.24 H= 3.3	(2)
26		SM-9061853-SR	SCREW M8 L=17.5	(1)
27		SM-9061853-SR	SCREW M8 L=17.5	(1)
28		229-34251	KNEE PAD PLATE ASM.	1
29		229-34202	KNEE PAD PLATE	(1)
30		229-34301	KNEE PAD PLATE SUPPORT	(1)
31		229-34400	KNEE PAD PLATE RUBBER	(1)
32		229-34509	KNEE PAD PLATE COVER	(1)
33		229-34608	KNEE PAD UPRIGHT SHAFT	(1)
34		SM-9061203-SE	SCREW M6 L=12	(1)

NOTE #01...FOR DDL-9000B-SH #02...EXCEPT DDL-9000B-SH

13. ACCESSORIE PART COMPONENTS

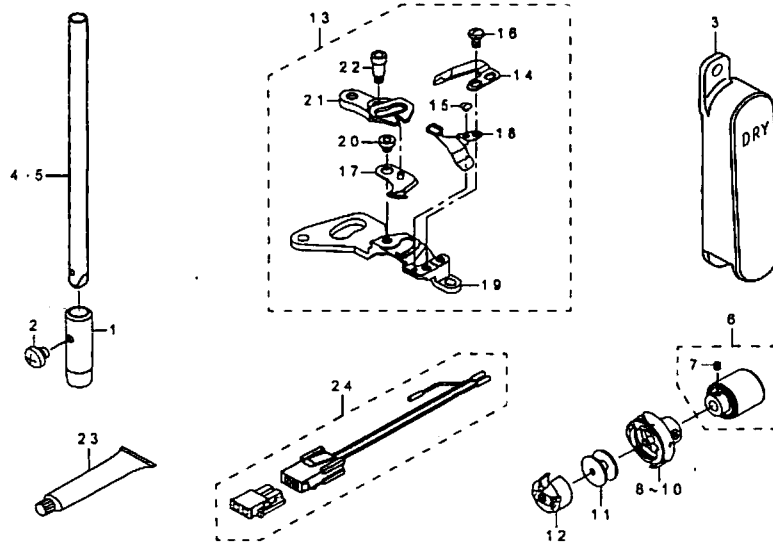


REF.NO	NOTE	PART NO	DESCRIPTION	Qty
1	#02	400-89663	ACCESSORIE BAG ASM.	1
2	#01	400-91140	ACCESSORIE BAG AX ASM.	1
3		229-32800	ACCESSORIE BAG	(1)
4	#02	229-31604	FRAME SUPPORT BAR	(1)
5	#01	400-24081	HEAD SUPPORT ROD	(1)
6		229-33204	SCREW DRIVER, SMALL	(1)
7		225-02504	THREAD GUIDE BAR	(1)
8		236-39701	KNEE LIFTER PRESSER ROD	(1)
9		HX-0004300-00	CLIP	(1)
10		400-55591	HEXAGONAL WRENCH KYE	(1)
11		229-33105	SCREW DRIVER, MIDDLE	(1)
12		229-58052	RUBBER HINGE ASM.	1
13		229-26208	NAIL	(8)
14		229-26356	HINGE COMPL.	(2)
15		229-26505	WASHER	(2)
16		229-26000	RUBBER CUSHION	(2)
17		229-58003	FRAME RUBBER CUSHION	(2)
18		B9121-012-0A0	OILER ASM.	1
19	#01	MDF-RX1600C0	DEFRIX OIL NO. 1(600CC)	1
20	#03	MML-007800CA	JUKI MACHINE OIL 7	1
21	#03	MDB-10081100	NEEDLE DBX1 #11	1
22	#03	MDB-10080900	NEEDLE DBX1 #9	1
23	#03	MDB-10082100	NEEDLE DBX1 #21	1
24	#03	MDB-10081400	NEEDLE DBX1 #14	1
25	#03	MC-2005013-00	NEEDLE 134 NM130	1
26	#03	MC-2005008-50	NEEDLE 134 NM85	1
27	#03	MC-2005007-50	NEEDLE 134 NM75	1
28		400-70090	HEAD COVER	1
29		400-89323	DDL-9000B SETUP DOCUMENT	1
30	#03	CM-6001002-01	WEEE INFORMATION SHEET	1
31	#03	BB117-012-000	BOBBIN	1
32	#03	400-91141	BOBBIN	1
33		229-33008	SCREW DRIVER, LARGE	1

NOTE

#01...TYPE AK
 #02...EXCEPT TYPE AK
 #03...VARIOUS NOS FOR DESTINATIONS

14. EXCLUSIVE PARTS DDL-9000B DS

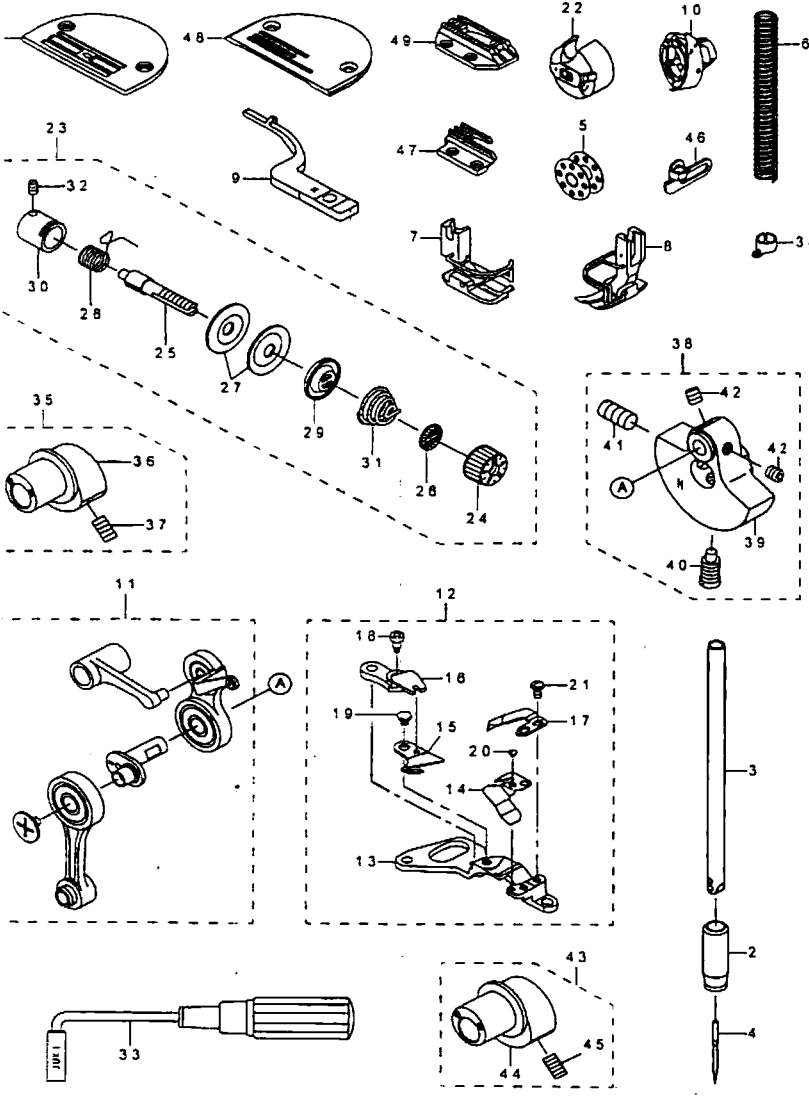


REF NO	NOTE	PART NO	DESCRIPTION	Qty
1		400-86605	NEEDLE_BAR_LOWER_METAL_MD	1
2		SM-4050501-SC	SCREW M5X0.8 L=5	1
3		400-37146	FLOATER SIGHT WINDOW D	1
4	#02	400-86604	NEEDLE_BAR_D_(B)	1
5	#05	400-86602	NEEDLE_BAR_D_(A)	1
6		400-89274	HOOK_SHAFT_FRONT_BEARING_COMPL	1
7		SS-8110420-TP	SCREW 11/64-20 L=4.8	(2)
8	#02	228-90404	RP HOOK C	1
9	#03	228-90206	RP HOOK	1
10	#01	228-90305	RP HOOK S	1
11		400-81141	BOBBIN	1
12		228-96252	BOBBIN CASE ASM.	1
13		400-50586	KNIFE UNIT D	1
14		228-95908	COUNTER KNIFE	(1)
15		SS-2060210-SP	SCREW 3/32-56 L=2.3	(1)
16		SS-4080620-TP	SCREW 1/8-44 L=6	(2)
17		110-40052	MOVING KNIFE ASM.	(1)
18		400-50588	THREAD GUIDE FOR KNIFE D	(1)
19		228-47907	KNIFE MOUNTING BASE	(1)
20		110-40409	MOVING KNIFE HINGE SCREW	(1)
21		228-96005	FORKED BASE FOR KNIFE	(1)
22		SD-0460703-TP	HINGE SCREW D=4.6 H=7	(1)
23	#04	400-08323	JUKI GREASE A TUBE	1
24		400-50581	JOINT_CABLE_ASM	1

NOTE

#01...FOR DDL-9000B-DS AA
 #02...FOR DD.-9000B-DS BB
 #03...FOR DD.-9000B-DS EE.GG
 #04...FOR OPTIONAL PARTS
 #05...FOR DD.-9000B-DS AA.EE.GG

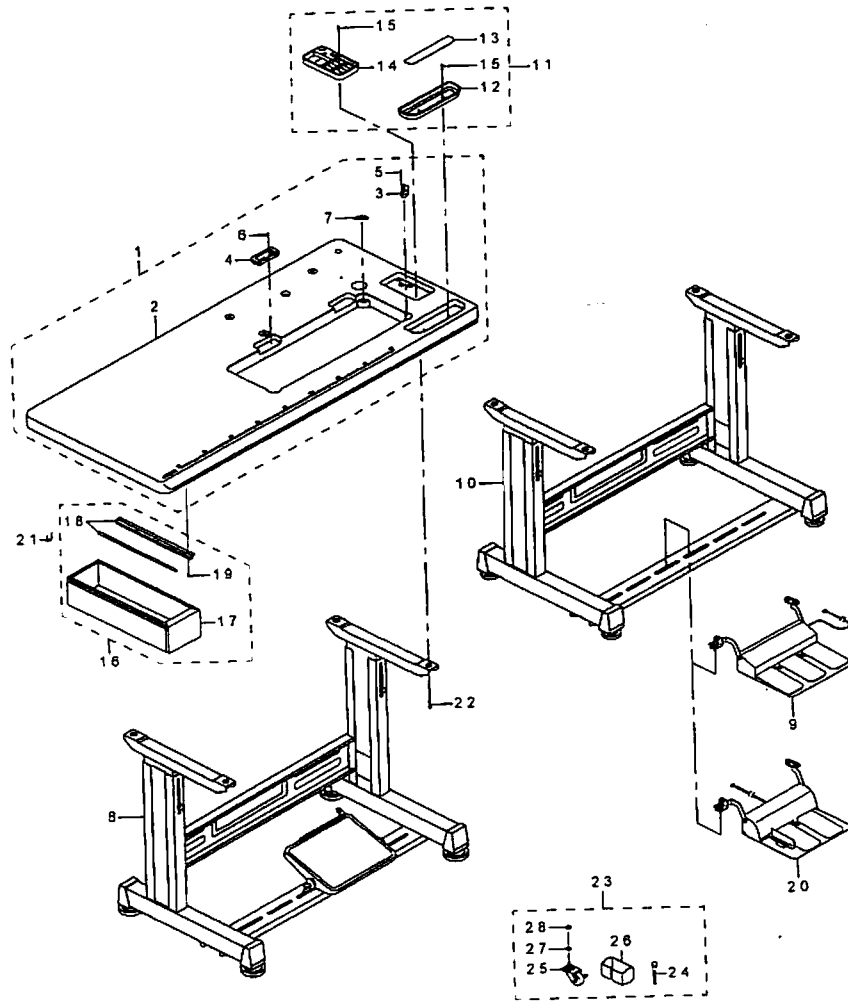
16. EXCLUSIVE PARTS DDL-9000B SH



F.NO	NOTE	PART NO	DESCRIPTION	Qty
1			THROAT_PLATE_J	1
2	#01	400-89805	NEEDLE BAR METAL,LOWER H	1
3		236-45809	NEEDLE BAR H	1
4		400-81767	NEEDLE DBX1 #21	1
5	#03	MDB-100B2100	BOBBIN	1
6		B9117-012-000	BOBBIN	1
7	#01	BT505-552-000-A	PRESSER SPRING	1
8		D1524-555-EBL	PRESSER FOOT ASM.	1
9		400-84839	PRESSER FOOT ASM	1
10		400-89610	INNER_HOOK HOLDER_H	1
11		110-92251	LUBRICATING BOBBIN ASM.	1
12		400-55804	THREAD TAKE UP COMP.H	1
13		400-50587	KNIFE UNIT H	1
14		110-95502	KNIFE MOUNT BASE	1
15		400-44190	THREAD_GUIDE_FOR_KNIFE-H	1
16		400-41900	MOVING KNIFE J ASM.	1
17		114-09257	MOVING KNIFE J ASM.	1
18		400-08894	FORKED BASE FOR KNIFE	1
19		400-50589	FIX KNIFE H	1
20		SD-0460703-TP	HINGE SCREW D=4.6 H=7	1
21		SD-0500131-TP	HINGE SCREW D=5 H=1.25	1
22		SS-2060210-SP	SCREW 3/32-56 L=2.3	1
23		SS-400820-TP	SCREW 1/8-44 L=6	2
24		400-00264	BOBBIN CASE ASM.	1
25		400-37313	THREAD TENSION DISK ASM H	1
26		400-26005	THREAD TENSION NUT	1
27		B3115-552-000	TENSION POST	1
28		B3120-125-000	ROTATING STOPPER	1
29		B3126-012-000	THREAD TENSION DISK	2
30		B3128-012-000	TAKE-UP SPRING	1
31		B3132-552-000	THREAD TENSION DISK PRESSER	1
32		400-24845	TENSION POST SOCKET ASM	1
33		B3114-232-000	THREAD TENSION SPRING	1
34	#04	SS-8090670-SP	SCREW 9/64-40 L= 5.5	1
35		J1083-000-000	WRENCH	1
36		400-24124	NEEDLE BAR THREAD GUIDE	1
37		236-19059	VERTICAL FEED CAM H ASM.	1
38		236-19000	VERTICAL FEED CAM H	1
39		SS-8151150-TP	SCREW 15/64-28 L=10.5	2
40		400-55058	ASSY COUNTER WEIGHT H	1
41		400-53411	COUNTER WEIGHT H	1
42		400-04171	COUNTER_WEIGHT_SCREW	1
43		SM-8081862-TP	SCREW M8 L=18	1
44	#04	SM-80606A2-TP	SCREW M8 L=6	2
45		400-89389	VERTICAL FEED CAM ASM. 2.0	1
46		400-89370	VERTICAL FEED CAM 2.0	1
47		SS-8151150-TP	SCREW 15/64-28 L=10.5	2
48	#02	400-83897	ARM THREAD GUIDE A H	1
49	#01	110-82801	FEED DOG	1
	#02	110-82007	THROAT PLATE, A	1
	#01	114-03003	FEED J	1

NOTE
 #01...FOR AA,BB,EE
 #02...FOR GG
 #03...FOR AA,GG,EE
 #04...OPTIONAL PARTS

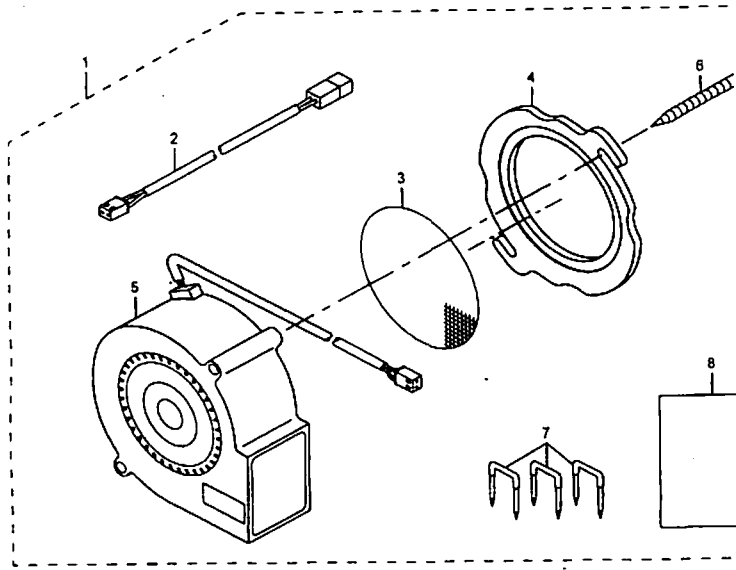
17. TABLE & STAND COMPONENTS



REF. NO	NOTE	PART NO	DESCRIPTION	Qty
1		236-42259	TABLE ASM.	1
2		236-42200	TABLE	(1)
3		110-75900	RUBBER SPACER	(2)
4		110-75801	RUBBER SPACER	(2)
5		BB210-012-000	CUSHION SET NAIL	(4)
6		BB210-012-000	CUSHION SET NAIL	(4)
7		D8226-555-E00	FRAME RUBBER CUSHION A	(2)
8	#01	111-57567	T LEG JUNCTION	1
9	#02	GPB-700010A0	3-JOINT PEDAL, 70	1
10	#02	111-57559	T-STAND ASM.	1
11		111-55769	SMALL CASTINGS BOX B ASM.	1
12		111-56007	CASE	(1)
13		111-55801	CASE MAGNET	(1)
14		111-55751	CASE ASM. B	(1)
15		SK-3382001-SC	WOOD SCREW D=3.8 L=20	(4)
16		111-55157	DRAWER ASM.	1
17		111-55108	DRAWER	(1)
18		111-55207	DRAWER SUPPORT	(2)
19		SK-3311600-SE	WOOD SCREW D=3.1 L=16	(6)
20	#02	GPB-710010A0	2-PEDAL ASM., 71	1
21		D8204-555-000	DRAWER STOPPER	1
22		SK-3513200-SC	WOOD SCREW D=5.1 L=32	4
23	#03	111-59456	CASTER ASM.	1
24		SM-9086523-SE	HEXAGONAL BOLT	(2)
25		111-59407	CASTER	(4)
26		111-59506	STRUT AUXILIARY PLATE	(2)
27		WS-0861410-KR	SPRING WASHER 8.6X15X1.4	(2)
28		WP-0871602-SE	WASHER 8.7X10X1.6	(2)

NOTE
 #01...FOR JT-D950
 #02...FOR JT-D95A-D95B
 #03...OPTIONAL PARTS

18. SPECIAL ORDER PART



REF. NO	NOTE	PART NO	DESCRIPTION	Qty
		400-65571	ELECTRIC FAN HOOK COOLING DEVICE	1
1		400-44065	FAN_RELAY_CABLE	(1)
2		400-64805	FAN FILTER	(1)
3		400-64806	FAN COOLING COVER	(1)
4		400-65564	FAN MOTOR ASSY	(1)
5		SK-3415001-SE	SCREW D=4.1 L=50	(2)
6		MAO-11532000	CORD STAPLE	(3)
7		400-65572	HOOK COOLING DEVICE INSTRUCTION	(1)
8				